



US00D850714S

(12) **United States Design Patent** (10) **Patent No.:** **US D850,714 S**
Guo (45) **Date of Patent:** **** Jun. 4, 2019**

(54) **CIGARETTE HEATER**
(71) Applicant: **Shenzhen Yukan Technology Co., Ltd,**
Shenzhen (CN)
(72) Inventor: **Hongli Guo,** Shenzhen (CN)
(73) Assignee: **Shenzhen Yukan Technology Co.,**
Ltd., Shenzhen (CN)

D731,114 S * 6/2015 Leidel D27/163
D743,099 S * 11/2015 Oglesby D27/101
D748,325 S * 1/2016 Leidel D27/163
D753,336 S * 4/2016 Chen D27/101
9,301,545 B2 * 4/2016 Li A24F 15/18
D758,004 S * 5/2016 Freshwater D27/163
D758,655 S * 6/2016 Freshwater D27/163
D758,656 S * 6/2016 Freshwater D27/163

(Continued)

(**) Term: **15 Years**
(21) Appl. No.: **29/624,697**

FOREIGN PATENT DOCUMENTS

EM 004427821-0001 * 10/2017
KR 300976709.0000 * 12/2017
RU 00111133 * 12/2017

(22) Filed: **Nov. 2, 2017**
(51) **LOC (11) Cl.** **27-99**
(52) **U.S. Cl.**
USPC **D27/194**
(58) **Field of Classification Search**
USPC D27/100, 101, 162, 163-194;
D19/115-123, 161-169; D24/110;
D23/366
CPC A24F 47/008; A24F 47/002; A24F 7/02;
A61M 15/06
See application file for complete search history.

OTHER PUBLICATIONS

The comparison of the Heat Not Burn Products by abnewswire.
dated Sep. 6, 2017. found online [Dec. 21, 2018] http://www.abnewswire.com/pressreleases/the-comparison-of-the-heat-not-burn-products-iuoc-and-iqos_141281.html.*

Primary Examiner — Marissa J Cash
(74) *Attorney, Agent, or Firm* — Wayne & Ken, LLC

(56) **References Cited**

(57) **CLAIM**

The ornamental design for a cigarette heater, as shown and described.

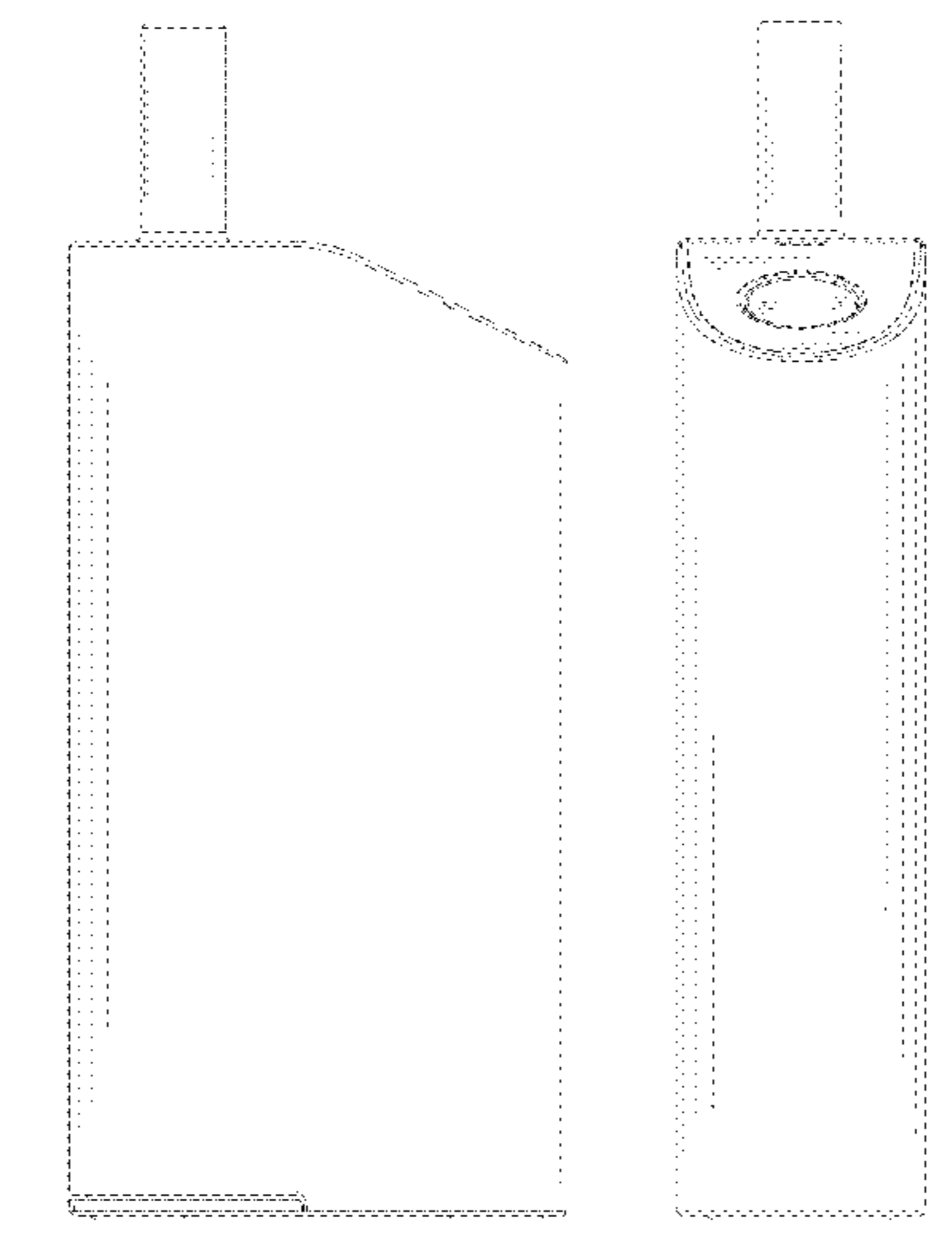
U.S. PATENT DOCUMENTS

DESCRIPTION

D368,552 S * 4/1996 Adams D27/194
D422,113 S * 3/2000 Higgins D27/186
D424,236 S * 5/2000 Reed D27/163
D433,532 S * 11/2000 Higgins D27/186
D547,859 S * 7/2007 Choi D24/113
D577,150 S * 9/2008 Bryman D27/163
D579,544 S * 10/2008 Birath D24/110
D579,545 S * 10/2008 Birath D24/110
D579,547 S * 10/2008 Birath D24/110
D629,154 S * 12/2010 Sung D27/154
D649,708 S * 11/2011 Oneil D27/163
D654,160 S * 2/2012 Yomtov D23/360
D728,855 S * 5/2015 Liu D27/163
D729,444 S * 5/2015 Leidel D27/163
D729,445 S * 5/2015 Leidel D27/163
D730,572 S * 5/2015 Leidel D27/163

FIG. 1 is a perspective view of a cigarette heater showing my new design;
FIG. 2 is a front view thereof;
FIG. 3 is a back view thereof;
FIG. 4 is a left view thereof;
FIG. 5 is a right view thereof;
FIG. 6 is a top view thereof; and,
FIG. 7 is a bottom view thereof.
The broken lines in the drawings depict portions of the cigarette heater that form no part of the claimed design.

1 Claim, 7 Drawing Sheets



(56)

References Cited

U.S. PATENT DOCUMENTS

D761,999 S *	7/2016	Liu	D27/101	D809,191 S *	1/2018	Li	D27/101
D769,520 S *	10/2016	Hua	D27/167	D809,192 S *	1/2018	Liu	D27/163
D770,678 S *	11/2016	Shin	D27/163	D814,693 S *	4/2018	Qiu	D27/101
D771,867 S *	11/2016	Leidel	D27/163	D815,347 S *	4/2018	Jones	D27/194
D772,477 S *	11/2016	Shin	D27/163	9,961,940 B2 *	5/2018	Anderson, Jr.	A24F 47/008
D773,114 S *	11/2016	Leidel	D27/163	9,968,136 B1 *	5/2018	Bell	A24F 47/008
D773,116 S *	11/2016	Liu	D27/167	D819,880 S *	6/2018	Qiu	D27/101
D775,414 S *	12/2016	Ampolini	D13/108	D819,882 S *	6/2018	Qiu	D27/101
D775,762 S *	1/2017	Chen	D27/101	D821,639 S *	6/2018	Dai	D27/162
D780,373 S *	2/2017	Bennett	D27/186	D821,640 S *	6/2018	Qiu	D27/162
D788,362 S *	5/2017	Qiu	D27/101	D828,621 S *	9/2018	Qiu	D27/162
D788,364 S *	5/2017	Chen	D27/163	D831,270 S *	10/2018	Qiu	D27/162
D790,766 S *	6/2017	Li	D27/163	D832,501 S *	10/2018	Qiu	D27/162
D792,020 S *	7/2017	Mendoza	D27/101	2017/0006918 A1 *	1/2017	Chen	A24F 47/008
D792,021 S *	7/2017	Beer	D27/101	2017/0208863 A1 *	7/2017	Davis	A24F 47/008
D799,111 S *	10/2017	Qiu	D27/101	2017/0208864 A1 *	7/2017	Anderson, Jr.	A24F 47/008
D799,743 S *	10/2017	Qiu	D27/101	2017/0245550 A1 *	8/2017	Freeland	A24F 47/008
D799,746 S *	10/2017	Leidel	D27/163	2017/0290371 A1 *	10/2017	Davis	A24F 47/008
D800,377 S *	10/2017	Liu	D27/101	2017/0367406 A1 *	12/2017	Schuler	A24F 47/008
D801,507 S *	10/2017	Kelnhofer	D23/366	2018/0007967 A1 *	1/2018	Davis	A24F 47/008
D802,834 S *	11/2017	Mathias	D27/163	2018/0013175 A1 *	1/2018	Liu	H01M 10/425
D805,685 S *	12/2017	Lee	D27/101	2018/0035715 A1 *	2/2018	Wu	A24F 47/008
D807,286 S *	1/2018	Qiu	D13/103	2018/0070638 A1 *	3/2018	Qiu	A24F 47/008
D807,576 S *	1/2018	Liu	D27/163	2018/0084828 A1 *	3/2018	Phillips	A24F 47/008
D807,577 S *	1/2018	Ward	D27/167	2018/0084836 A1 *	3/2018	Perez	B65D 85/54
D807,818 S *	1/2018	Mathias	D13/107	2018/0110943 A1 *	4/2018	Raichman	A61M 15/06
D808,071 S *	1/2018	Folkerts	D27/101	2018/0116281 A1 *	5/2018	Anderson, Jr.	A24F 47/008
D808,073 S *	1/2018	Leidel	D27/162	2018/0132526 A1 *	5/2018	Davis	A24F 47/008
D808,792 S *	1/2018	Jaggi	D9/420	2018/0153219 A1 *	6/2018	Verleur	A24F 47/008
				2018/0160739 A1 *	6/2018	Chen	A24F 47/008
				2018/0166238 A1 *	6/2018	Chen	H01H 36/02

* cited by examiner

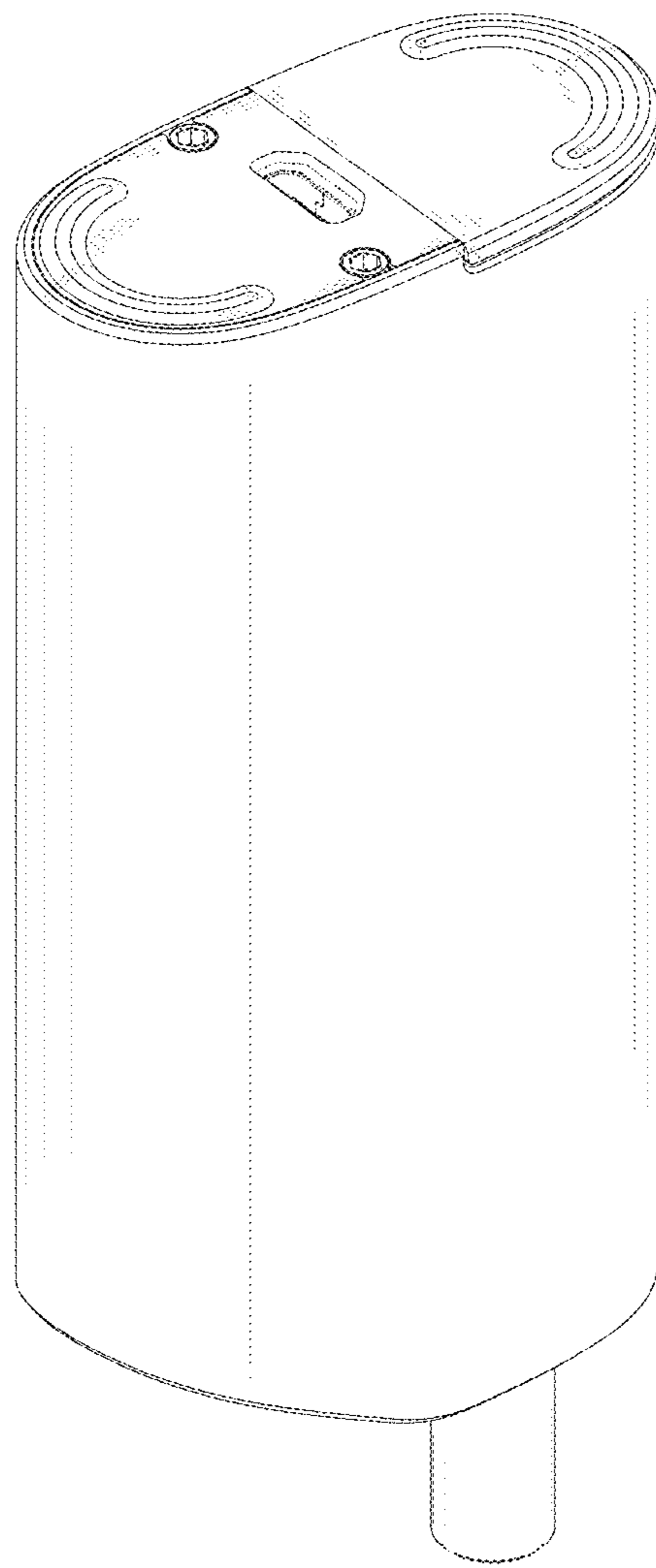


FIG. 1

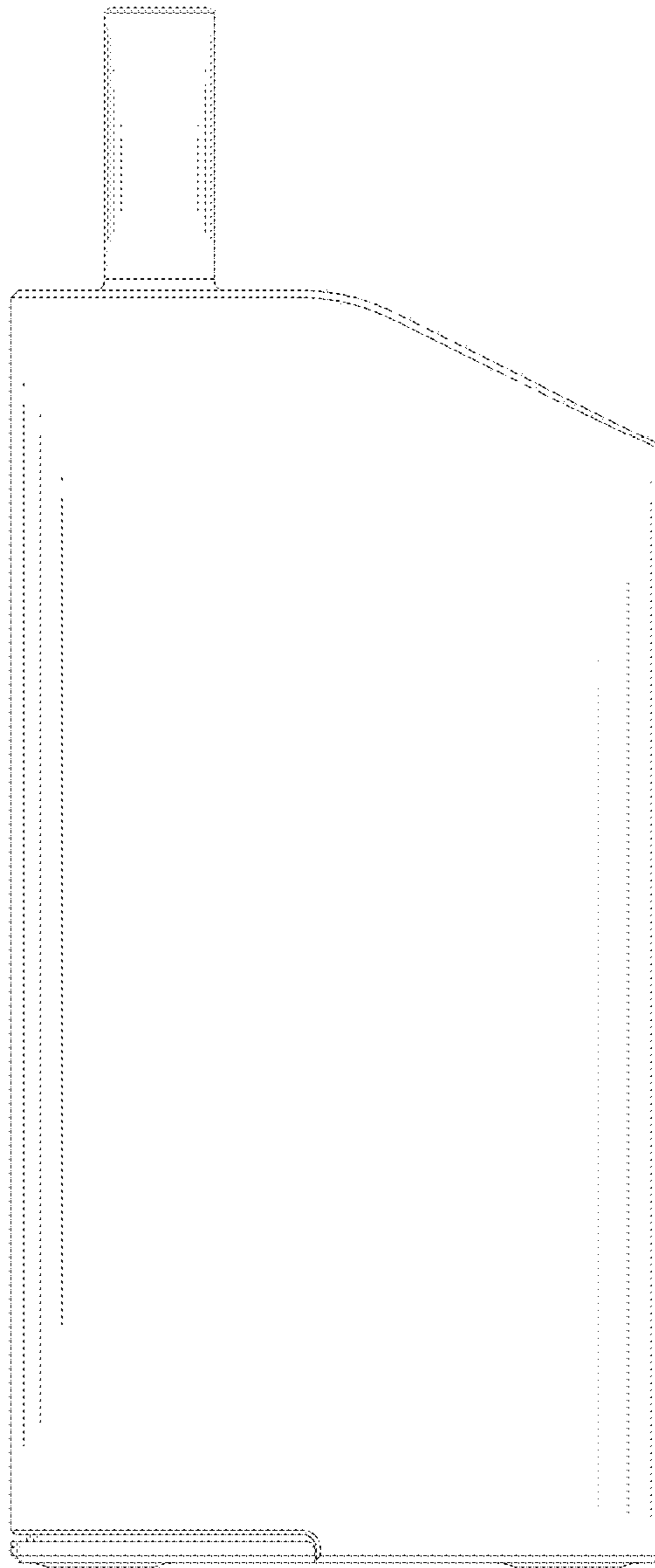


FIG. 2

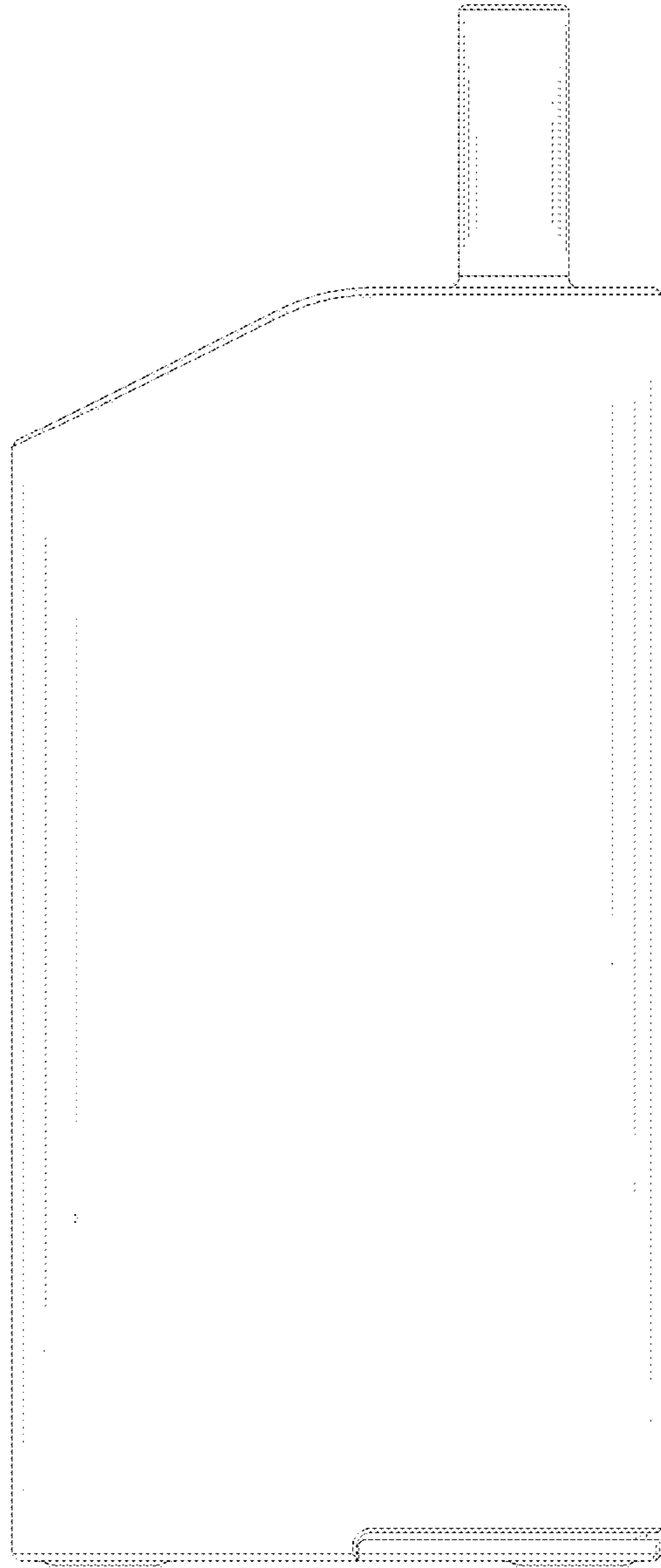


FIG. 3

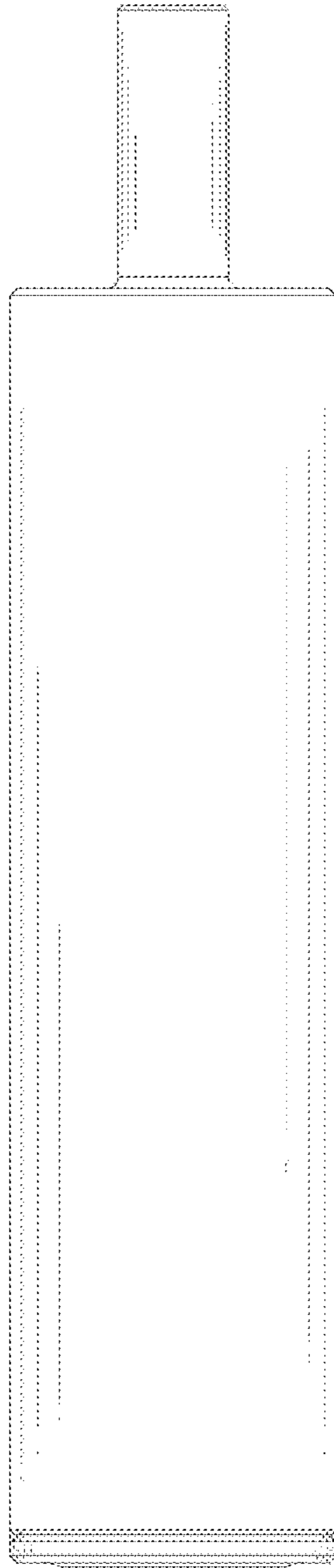


FIG. 4

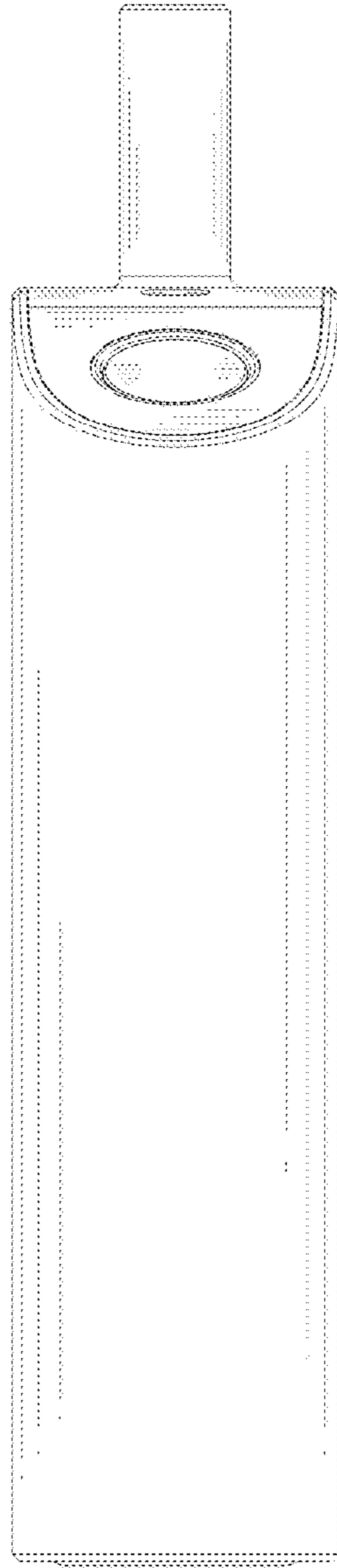


FIG. 5

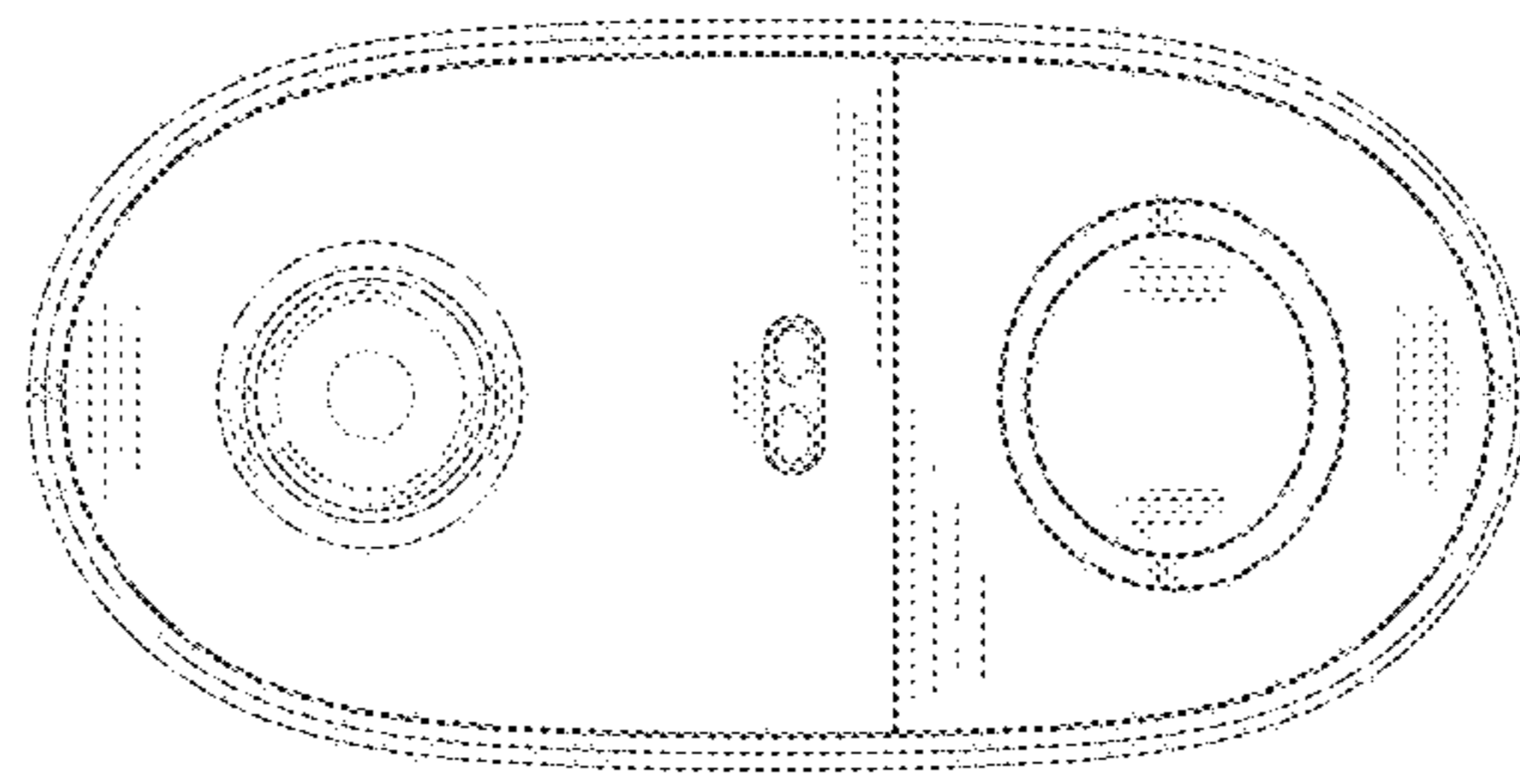


FIG. 6

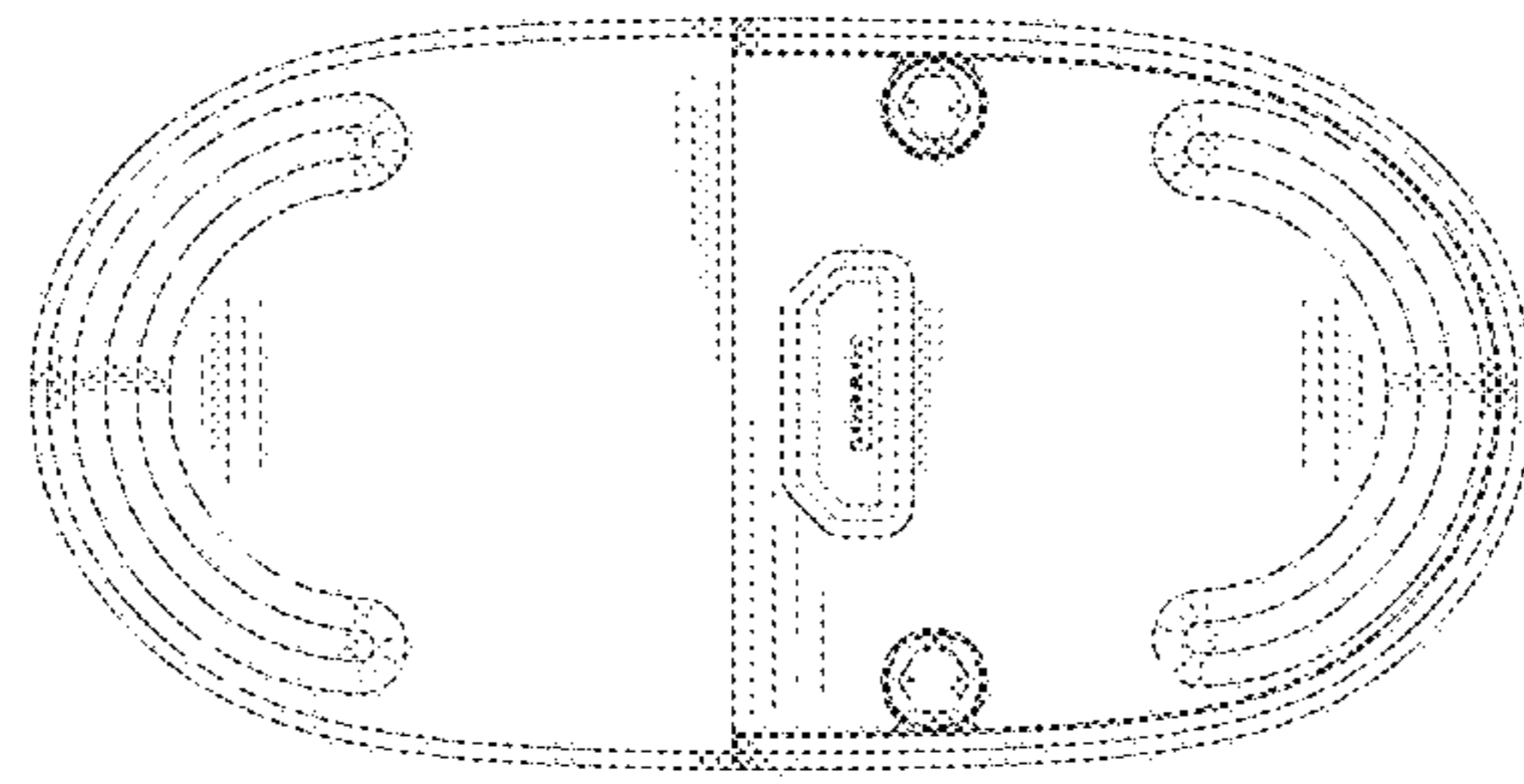


FIG. 7