



US00D850713S

(12) **United States Design Patent**  
**Northern**

(10) **Patent No.:** **US D850,713 S**  
(45) **Date of Patent:** **\*\* Jun. 4, 2019**

(54) **SMOKING SUPPLY PACKAGE ASSEMBLY**

(71) Applicant: **MEDPAC INC.**, Phoenix, AZ (US)  
(72) Inventor: **Kendall Northern**, Phoenix, AZ (US)  
(73) Assignee: **MEDPAC INC.**, Phoenix, AZ (US)  
(\*\*) Term: **15 Years**

(21) Appl. No.: **29/575,585**

(22) Filed: **Aug. 26, 2016**

(51) **LOC (11) Cl.** ..... **27-06**

(52) **U.S. Cl.**  
USPC ..... **D27/175**

(58) **Field of Classification Search**  
USPC ..... D27/100, 101, 139-161, 162-196;  
D24/110; D3/273, 215; D15/142,  
(Continued)

(56) **References Cited**

**U.S. PATENT DOCUMENTS**

D243,775 S \* 3/1977 Ohsawa ..... D27/154  
5,465,738 A \* 11/1995 Rowland ..... A24F 23/04  
131/180

(Continued)

**OTHER PUBLICATIONS**

Medpac Stash Kit & Container by The Bong Shop. Dated 2018.  
found online [Sep. 20, 2018] <https://www.thebongshop.com.au/products/medpac-stash-kit-container-pretty-pink>.\*

*Primary Examiner* — Marissa J Cash  
(74) *Attorney, Agent, or Firm* — Flender IP & Business  
Law LLC; Zareefa B. Flener

(57) **CLAIM**

The ornamental design for a smoking supply package assembly, as shown and described.

**DESCRIPTION**

FIG. 1 is a perspective view of a smoking supply package assembly showing my new design, the box being in a closed position;

FIG. 2 is a perspective view of the box illustrated in FIG. 1 in an open position;  
FIG. 3 is a right side elevational view of the box illustrated in FIG. 1 in the open position;  
FIG. 4 is a left side elevational view of the box illustrated in FIG. 1 in the open position;  
FIG. 5 is a front elevational view of the box illustrated in FIG. 1 in the open position;  
FIG. 6 is a back elevational view of the box illustrated in FIG. 1 in the open position;  
FIG. 7 is a top plan view of the box illustrated in FIG. 1 in the open position;  
FIG. 8 is a bottom plan view of the box illustrated in FIG. 1 in the open position;  
FIG. 9 is a perspective exploded view along line 10 of the smoking supply package assembly showing my new design, the assembly including the box, a container, a lighter, and two tubes;  
FIG. 10 is a section view of the box of the assembly illustrated in FIG. 9;  
FIG. 11 is a perspective view of the container of the smoking supply package assembly showing my new design, the container being in an open position;  
FIG. 12 is a perspective view of the container illustrated in FIG. 11 in a closed position;  
FIG. 13 is a front elevational view of the container illustrated in FIG. 11 in the closed position;  
FIG. 14 is a back elevational view of the container illustrated in FIG. 11 in the closed position;  
FIG. 15 is a right side elevational view of the container illustrated in FIG. 11 in the closed position;  
FIG. 16 is a left side elevational view of the container illustrated in FIG. 11 in the closed position;  
FIG. 17 is a top plan view of the container illustrated in FIG. 11 in a closed position;  
FIG. 18 is a bottom plan view of the container illustrated in FIG. 11 in a closed position;  
FIG. 19 is a perspective view of the lighter of the smoking supply package assembly showing my new design;  
FIG. 20 is a left side elevational view of the lighter illustrated in FIG. 19;  
FIG. 21 is a right side elevational view of the lighter illustrated in FIG. 19;

(Continued)

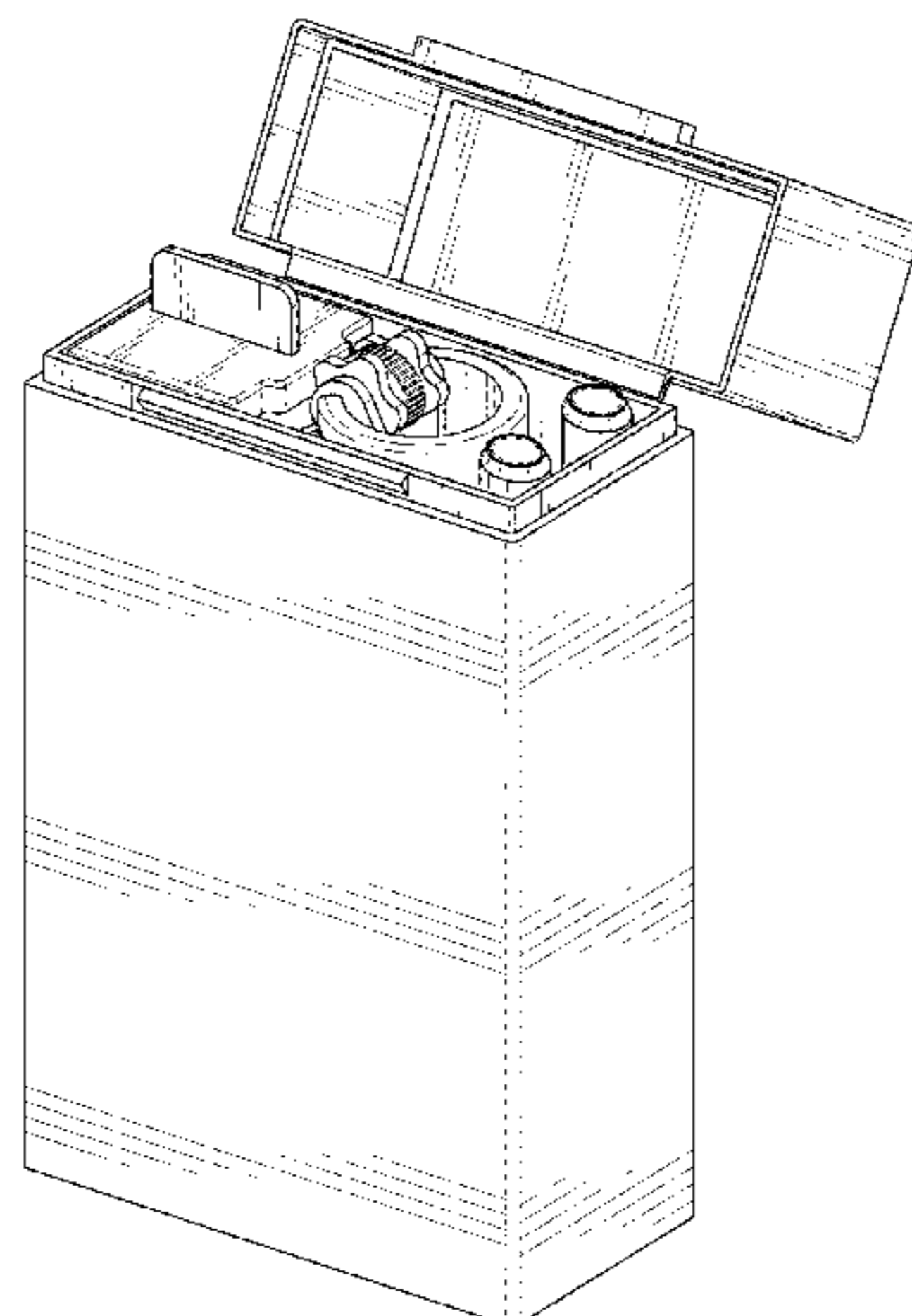


FIG. 22 is a front elevational view of the lighter illustrated in FIG. 19;  
 FIG. 23 is a back elevational view of the lighter illustrated in FIG. 19;  
 FIG. 24 is a top plan view of the lighter illustrated in FIG. 19; and,  
 FIG. 25 is a bottom plan view of the lighter illustrated in FIG. 19.

In the drawings, the broken lines depict portions of the smoking supply package assembly that form no part of the claimed design.

**1 Claim, 13 Drawing Sheets**

**(58) Field of Classification Search**

USPC ..... D15/144–144.2; D12/174, 179;  
 D9/445–446, 563, 516, 549; D7/316,  
 D7/318; D8/105, 396, 356  
 CPC .. A24F 15/00; A24F 9/16; A24F 15/18; A24F  
 47/008; A24B 15/167; F16B 45/02  
 See application file for complete search history.

**(56) References Cited**

U.S. PATENT DOCUMENTS

5,566,855 A \* 10/1996 Bradach ..... A24F 15/005  
 221/15  
 5,605,226 A \* 2/1997 Hernlein ..... A24F 15/18  
 206/496  
 6,446,793 B1 \* 9/2002 Layshock ..... A24F 15/18  
 206/85  
 6,474,342 B1 \* 11/2002 Rennecamp ..... A24F 23/04  
 131/241  
 D488,585 S \* 4/2004 Lin ..... D27/157  
 D492,815 S \* 7/2004 Bray ..... D27/189  
 D506,026 S \* 6/2005 Chen ..... D27/157  
 D563,596 S 3/2008 Neias  
 D591,899 S \* 5/2009 Bray ..... D27/189  
 D610,303 S \* 2/2010 Valle ..... D27/189  
 D624,695 S \* 9/2010 Cohen Harel ..... D27/157

D636,931 S \* 4/2011 de The ..... D27/189  
 D656,094 S \* 3/2012 Wu ..... D13/108  
 D665,734 S \* 8/2012 Fitch ..... D13/107  
 D668,140 S \* 10/2012 Collins ..... D9/423  
 D681,268 S \* 4/2013 Wu ..... D27/189  
 D681,269 S \* 4/2013 Wu ..... D27/189  
 D683,898 S \* 6/2013 Liu ..... D13/108  
 D683,899 S \* 6/2013 Liu ..... D13/108  
 D688,418 S \* 8/2013 Liu ..... D13/108  
 D700,994 S \* 3/2014 Alarcon ..... D27/189  
 D723,733 S \* 3/2015 Liu ..... D27/189  
 D723,734 S \* 3/2015 Liu ..... D27/189  
 D723,735 S \* 3/2015 Liu ..... D27/189  
 D723,736 S \* 3/2015 Liu ..... D27/189  
 D723,737 S \* 3/2015 Liu ..... D27/189  
 D736,455 S \* 8/2015 Liu ..... D27/189  
 D736,456 S 8/2015 Liu  
 D736,457 S \* 8/2015 Liu ..... D27/189  
 D736,458 S \* 8/2015 Liu ..... D27/189  
 D736,996 S \* 8/2015 Liu ..... D27/189  
 D737,505 S \* 8/2015 Liu ..... D27/189  
 D737,506 S \* 8/2015 Liu ..... D27/189  
 D737,507 S \* 8/2015 Liu ..... D27/189  
 D737,508 S \* 8/2015 Liu ..... D27/189  
 D741,002 S \* 10/2015 Liu ..... D27/189  
 9,167,850 B2 10/2015 Liu  
 D752,282 S \* 3/2016 Doster ..... D27/189  
 D760,431 S \* 6/2016 Liu ..... D27/189  
 D765,908 S \* 9/2016 Zahr ..... D27/187  
 D768,920 S \* 10/2016 Jones ..... D27/189  
 D770,679 S \* 11/2016 Weigensberg ..... D27/189  
 D772,480 S \* 11/2016 Hua ..... D27/189  
 9,603,388 B2 \* 3/2017 Fernando ..... A24F 47/008  
 D792,409 S \* 7/2017 Shim ..... D14/435  
 9,734,378 B2 \* 8/2017 Gibson ..... G06K 9/00013  
 D815,346 S \* 4/2018 Bagai ..... D27/191  
 D818,195 S \* 5/2018 Burger ..... D27/186  
 D818,637 S \* 5/2018 Ringel ..... D27/141  
 D824,094 S \* 7/2018 Rein ..... D27/141  
 2005/0224375 A1 \* 10/2005 Focke ..... B65D 85/1045  
 206/259  
 2013/0342157 A1 \* 12/2013 Liu ..... A24F 15/18  
 320/107  
 2016/0090213 A1 3/2016 Murray  
 2017/0119044 A1 \* 5/2017 Oligschlaeger ..... A24F 15/00

\* cited by examiner

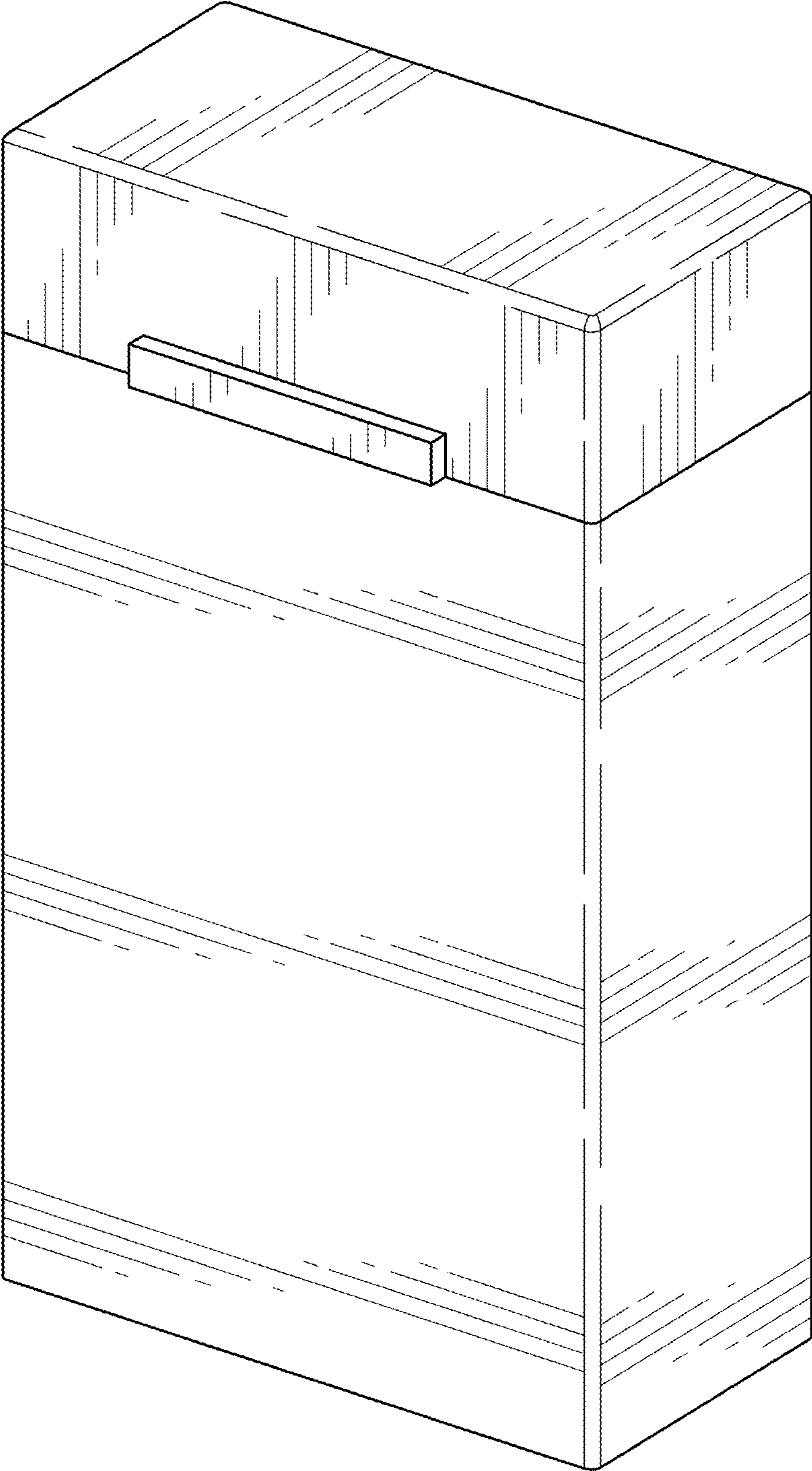


FIG. 1

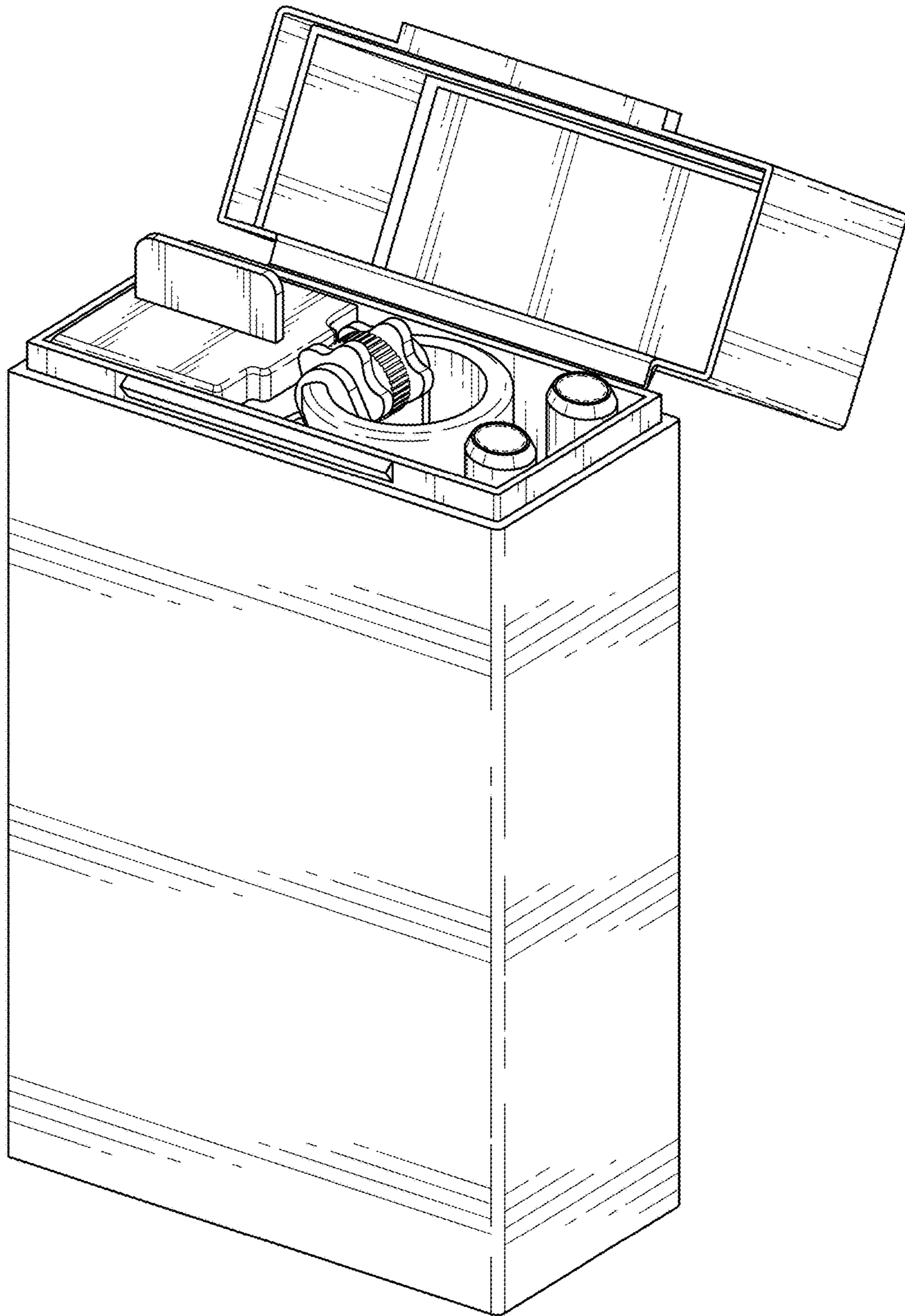


FIG. 2

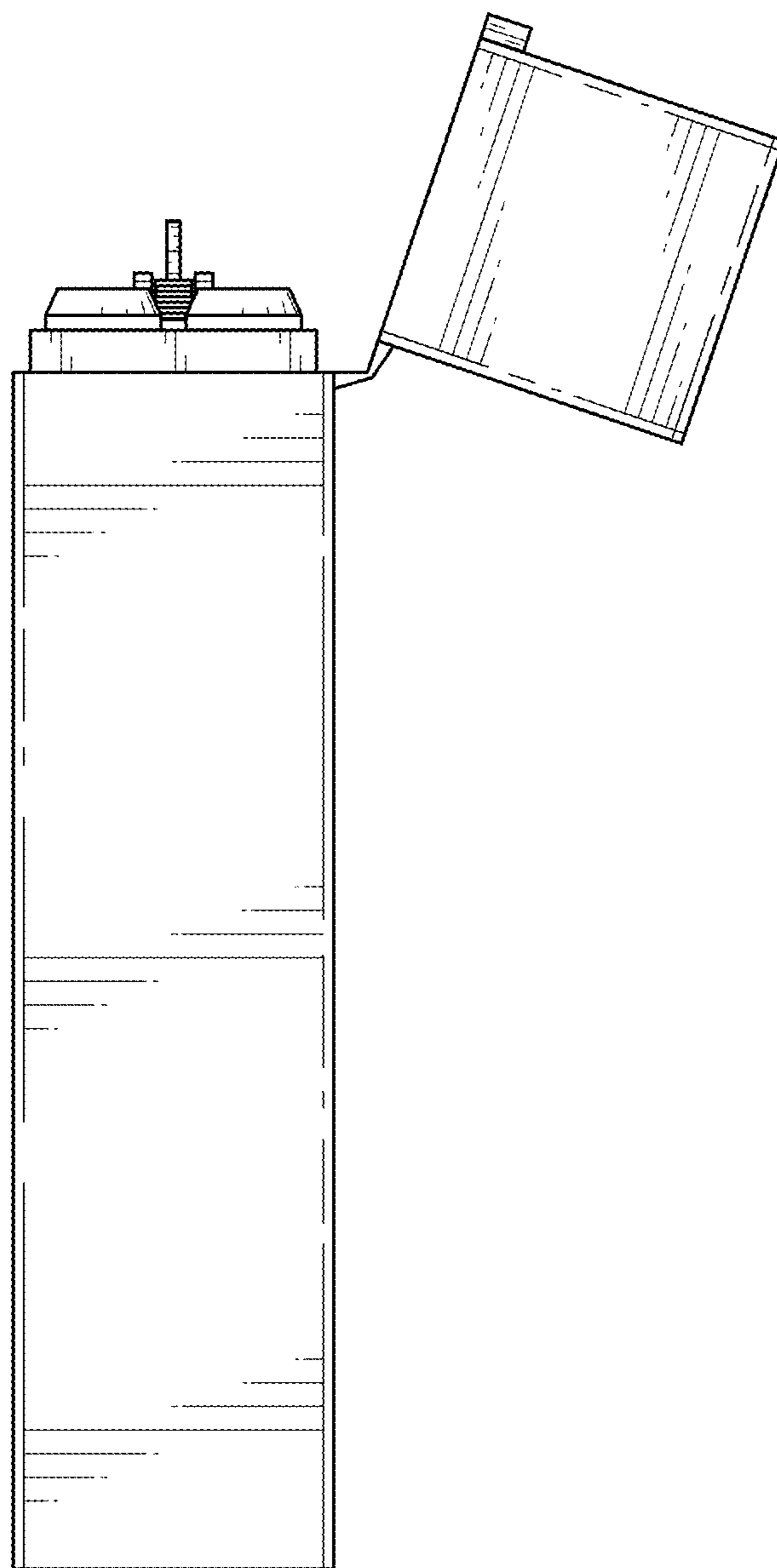


FIG. 3

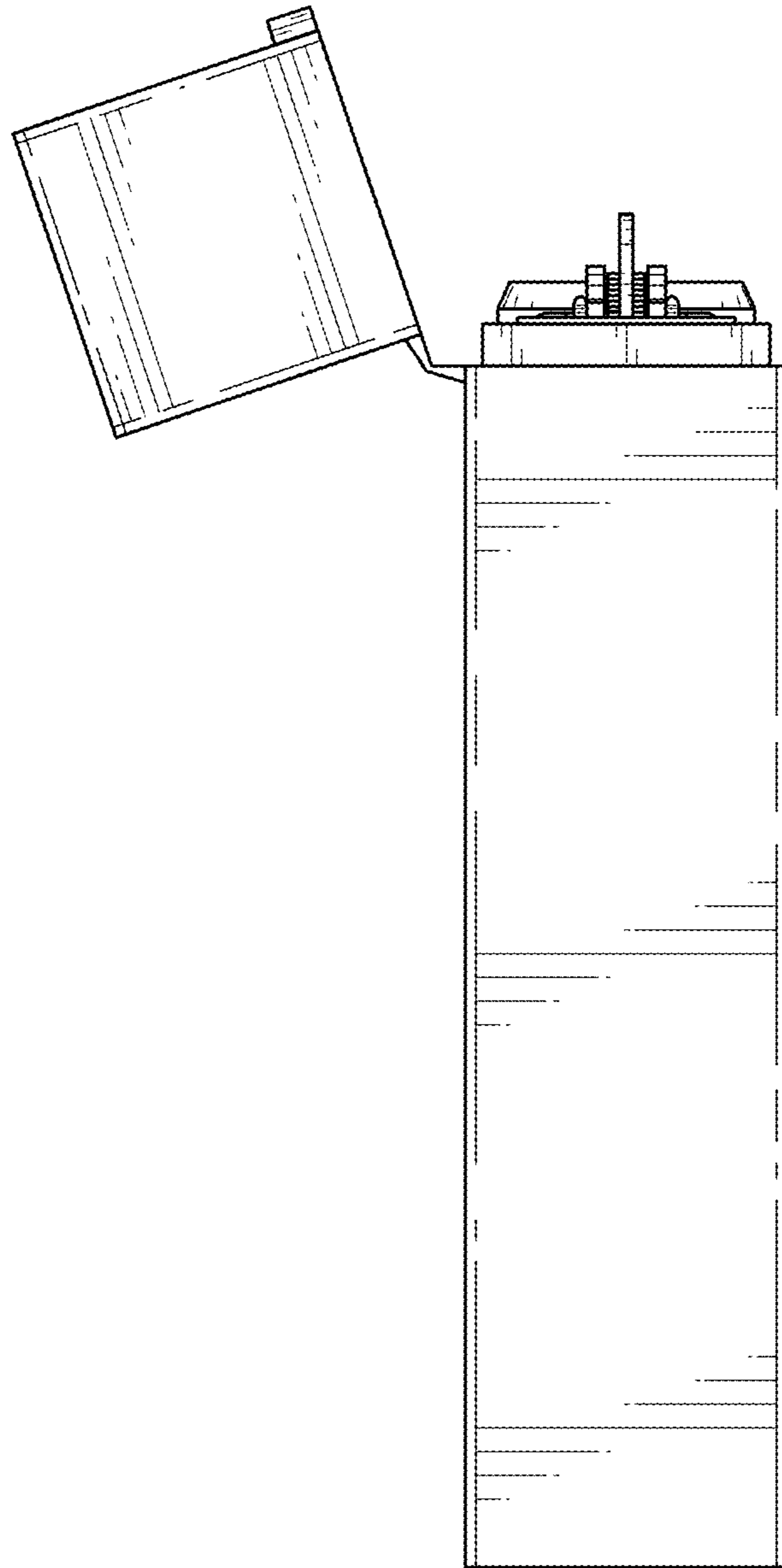


FIG. 4

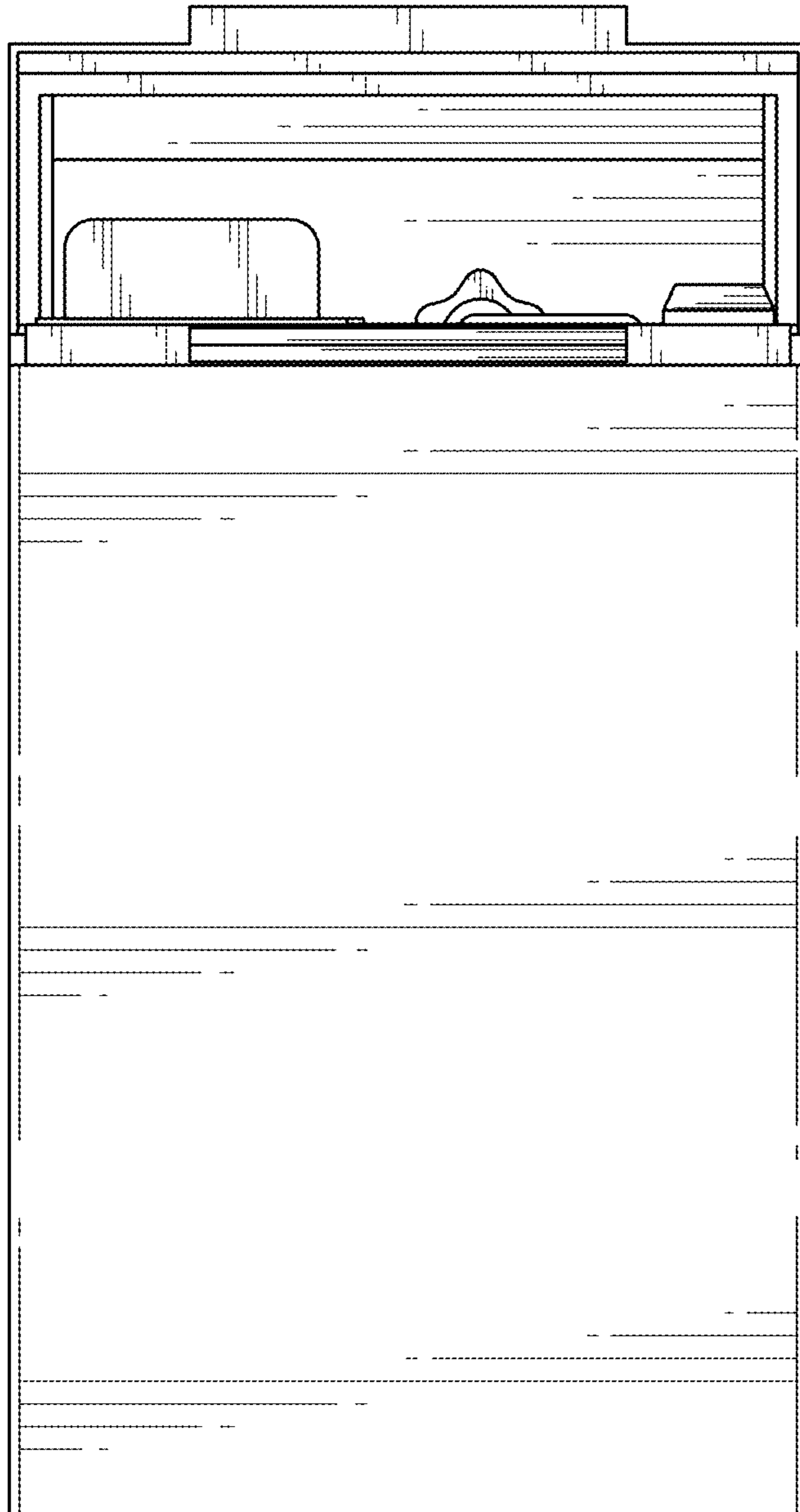


FIG. 5

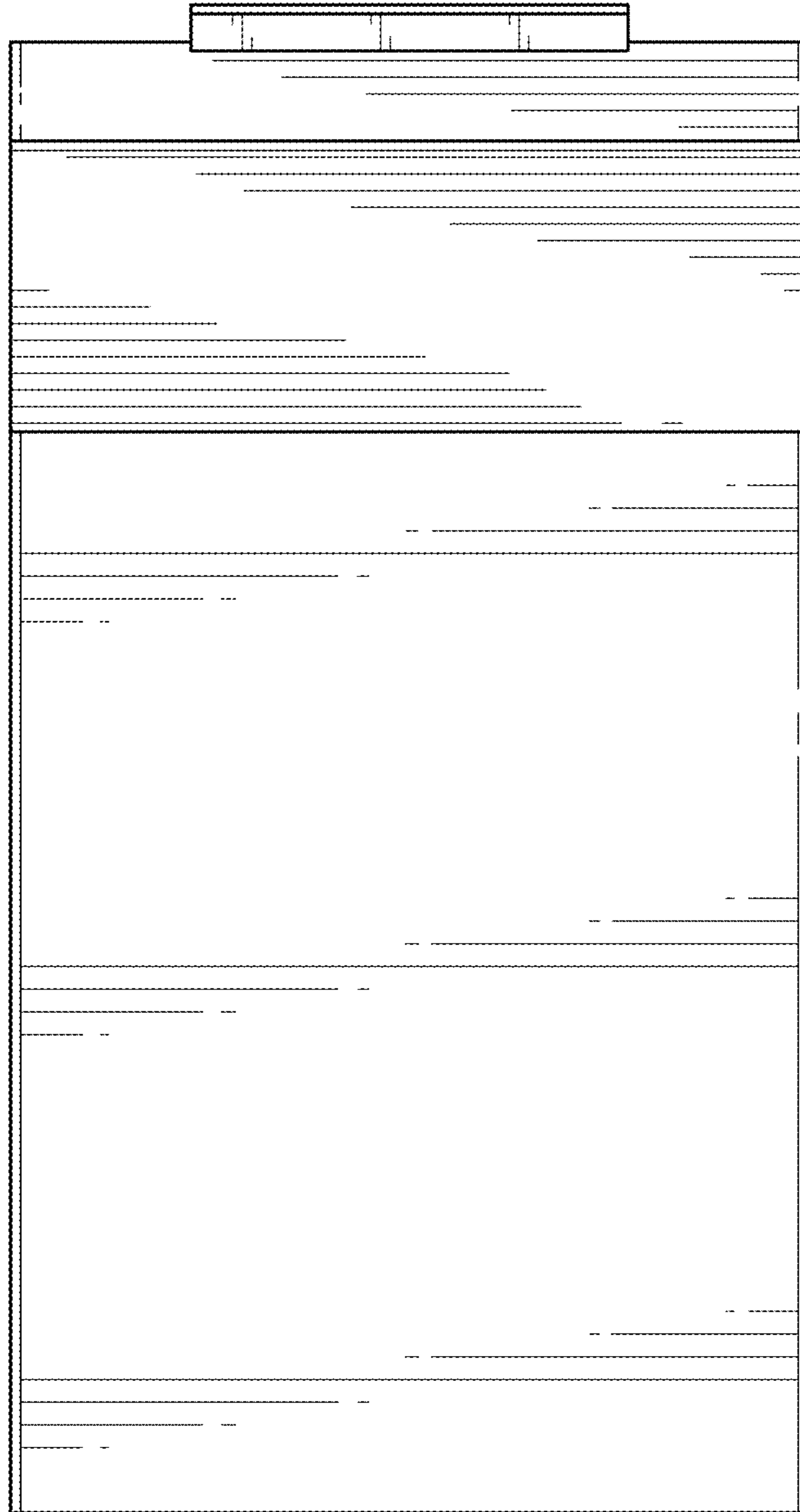


FIG. 6



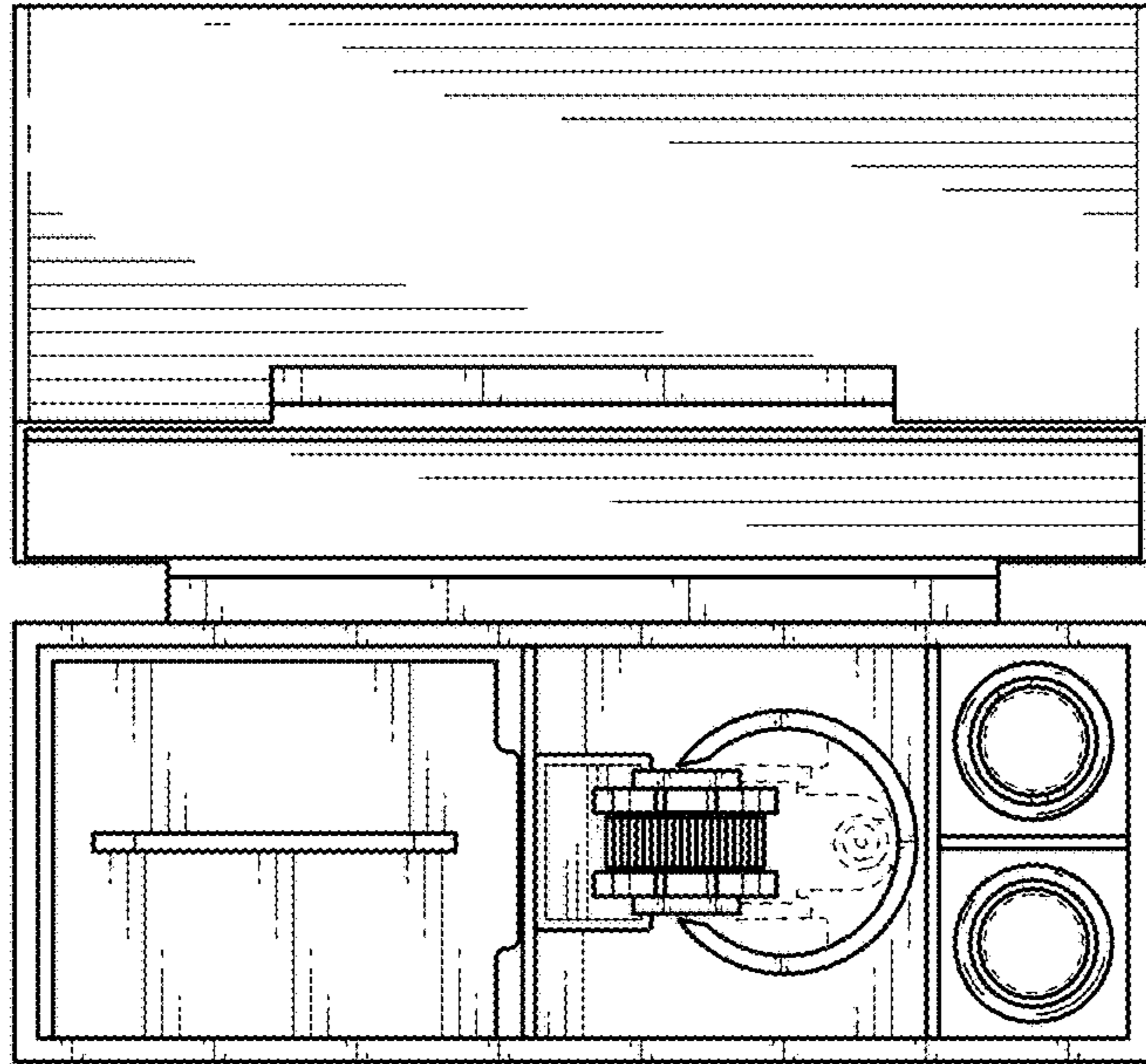


FIG. 7

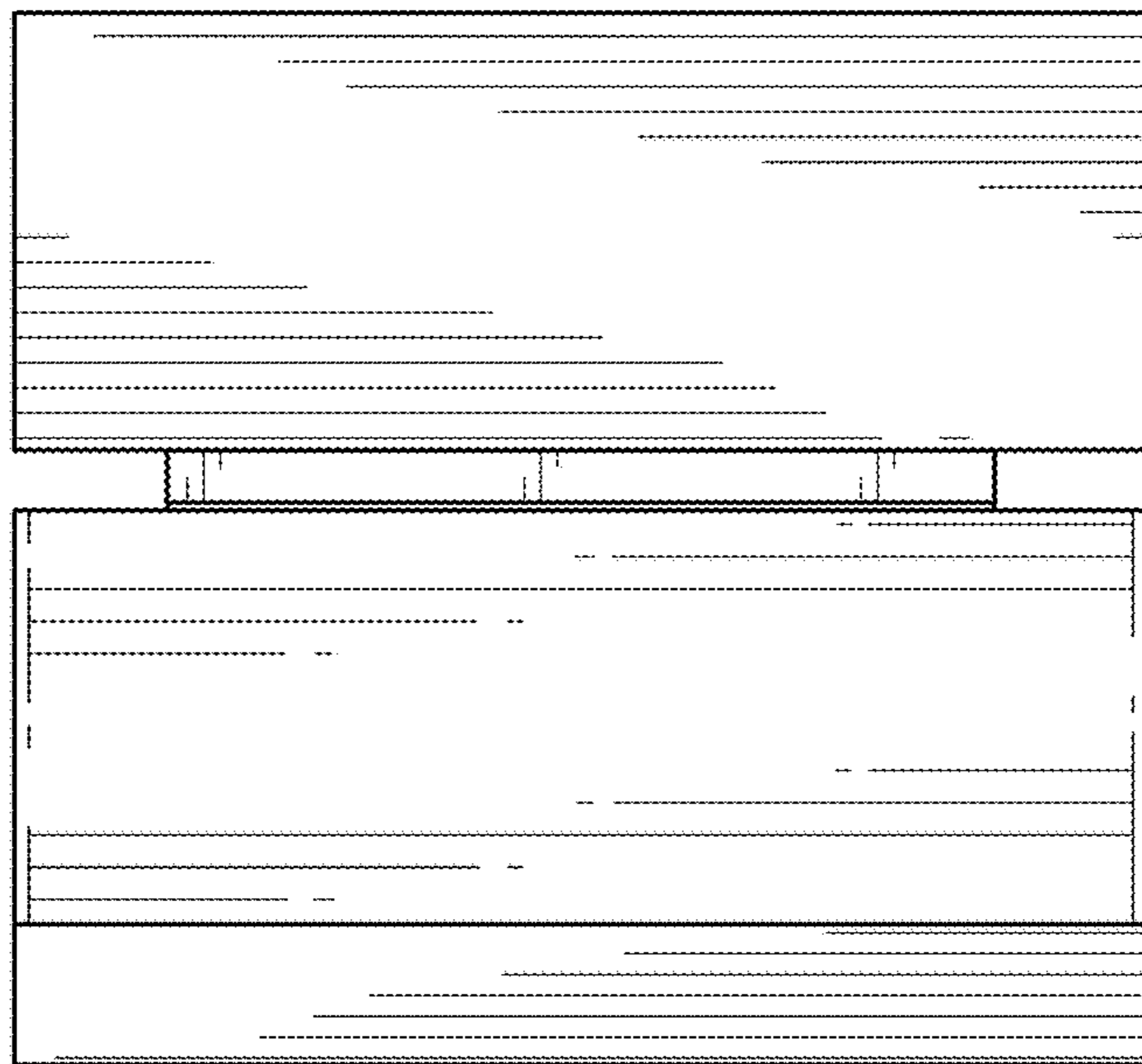


FIG. 8

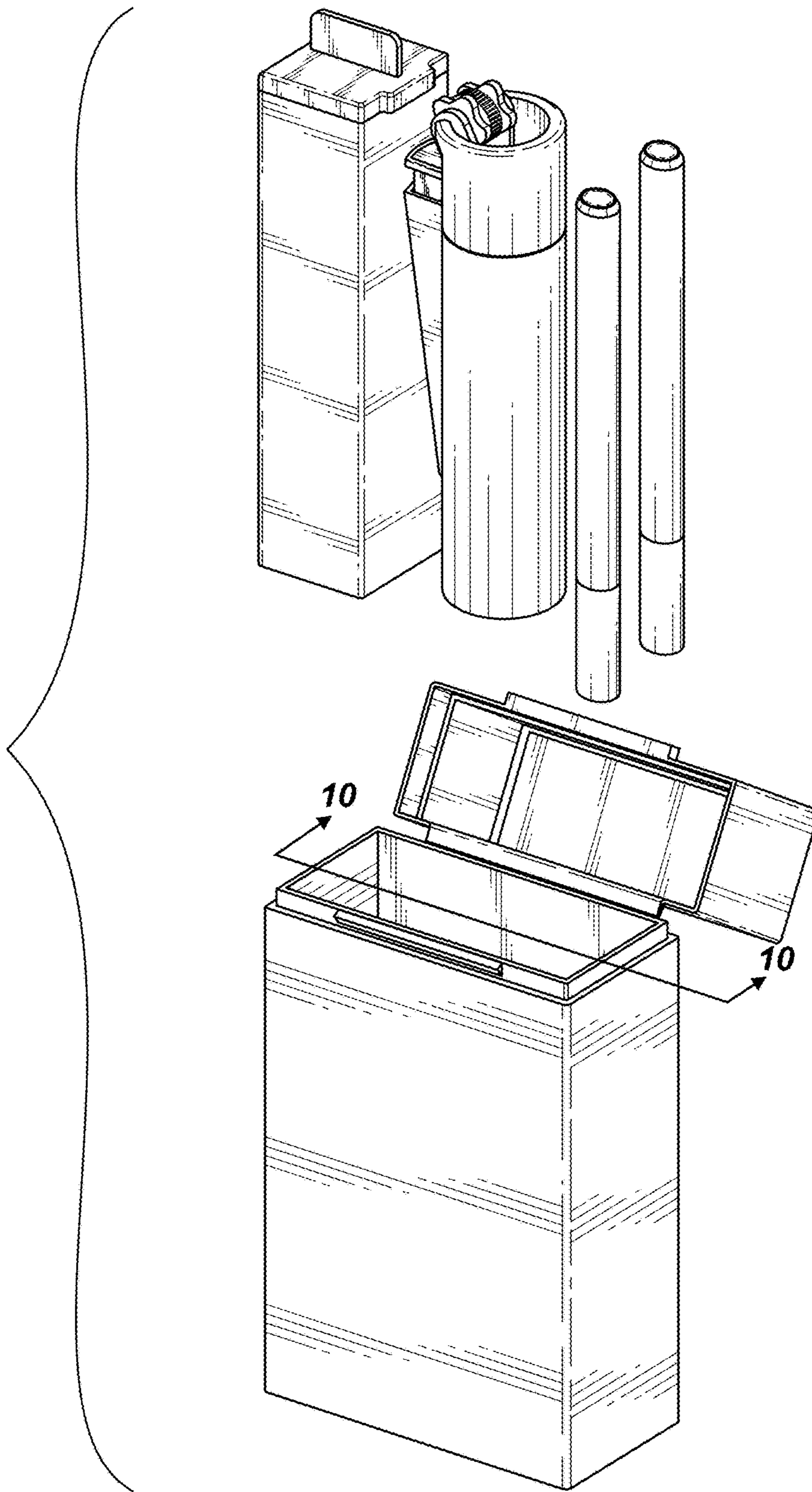


FIG. 9

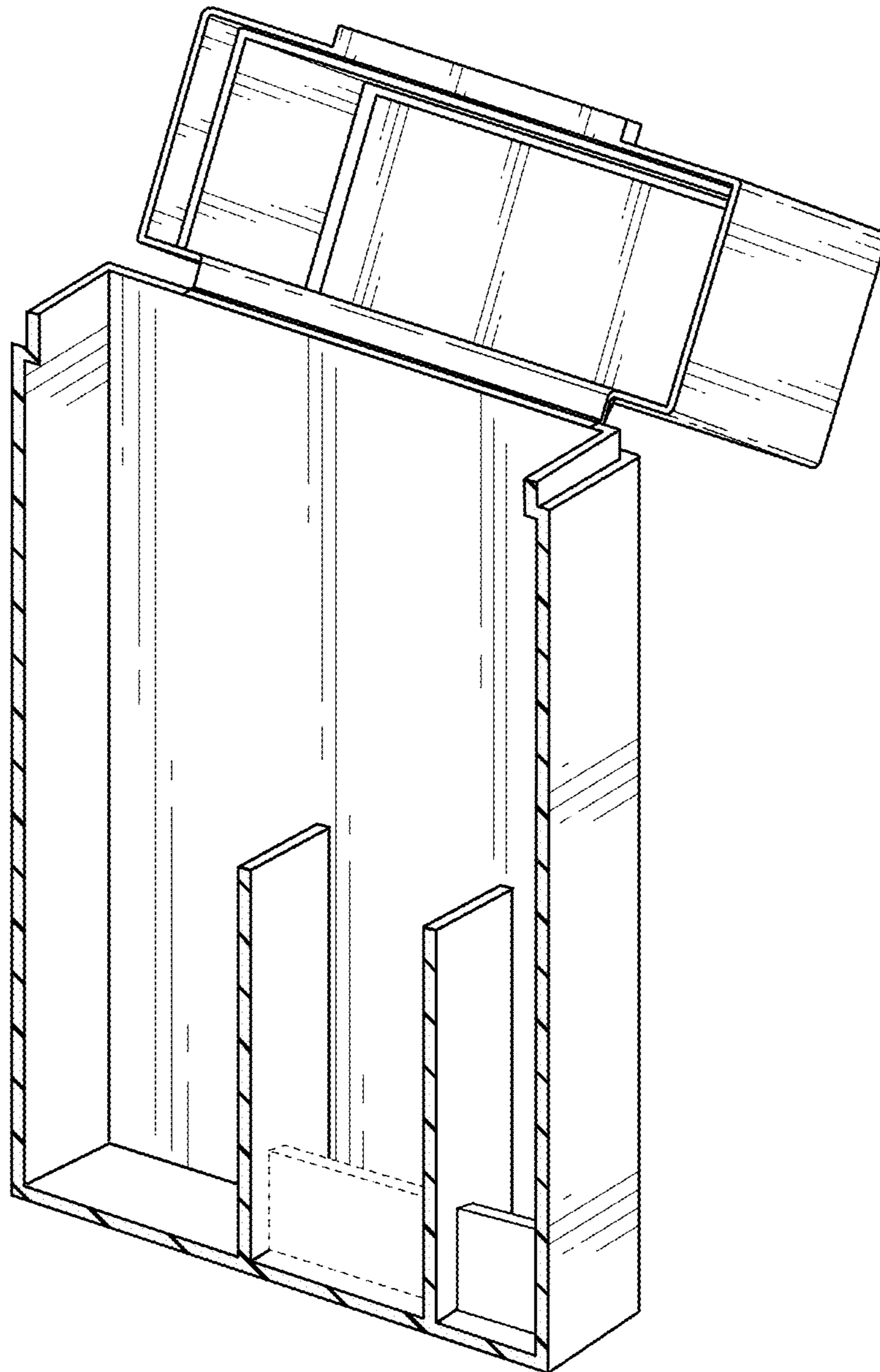


FIG. 10

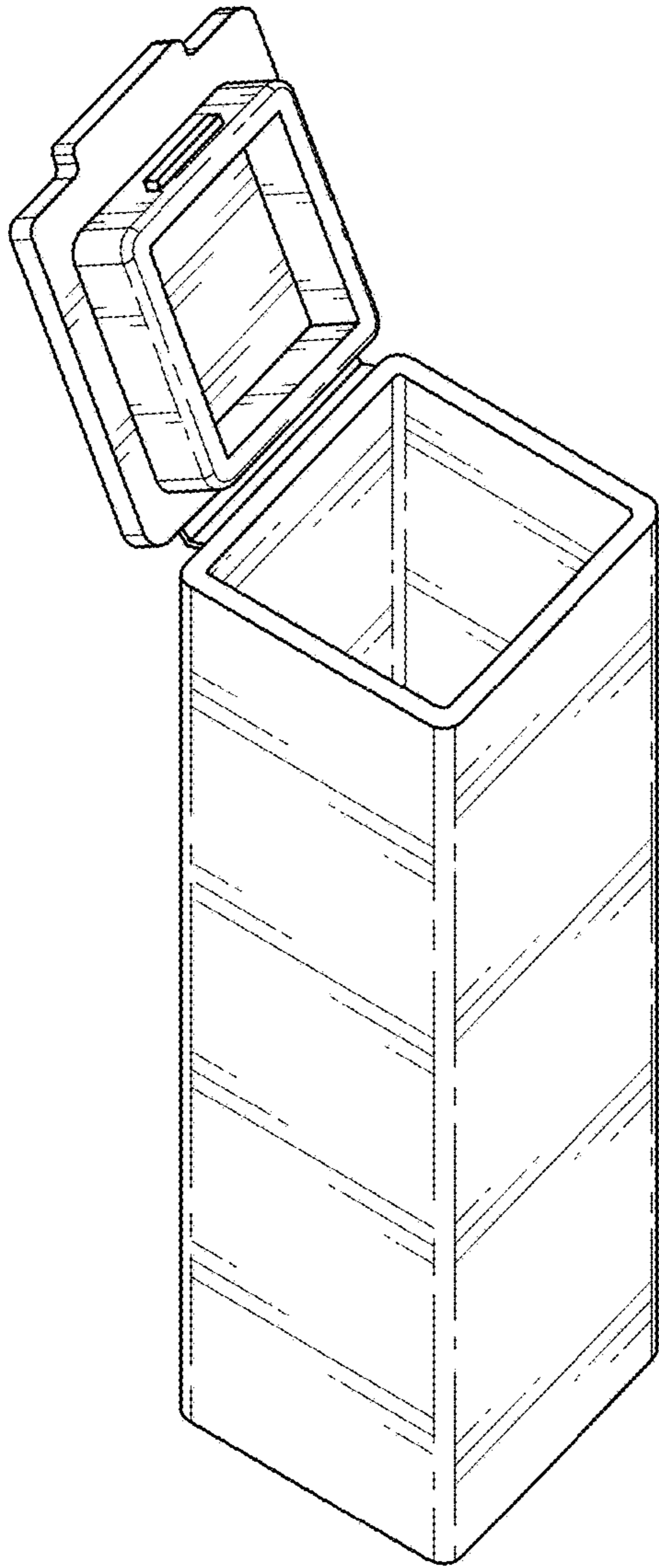


FIG. 11

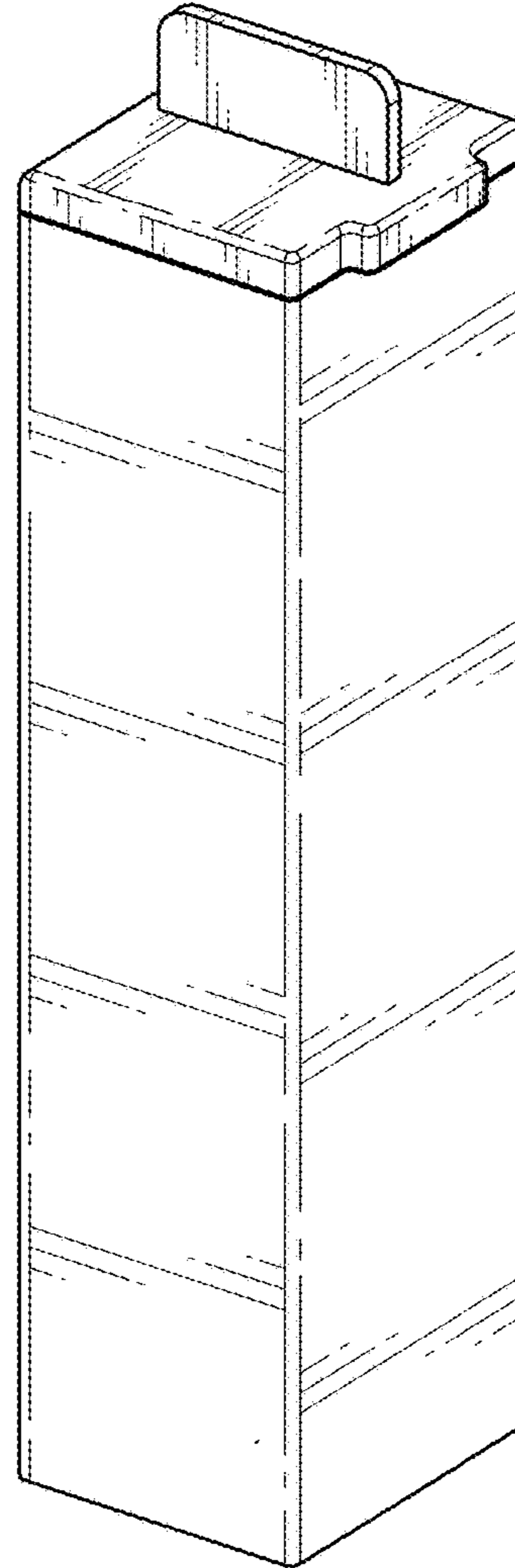


FIG. 12

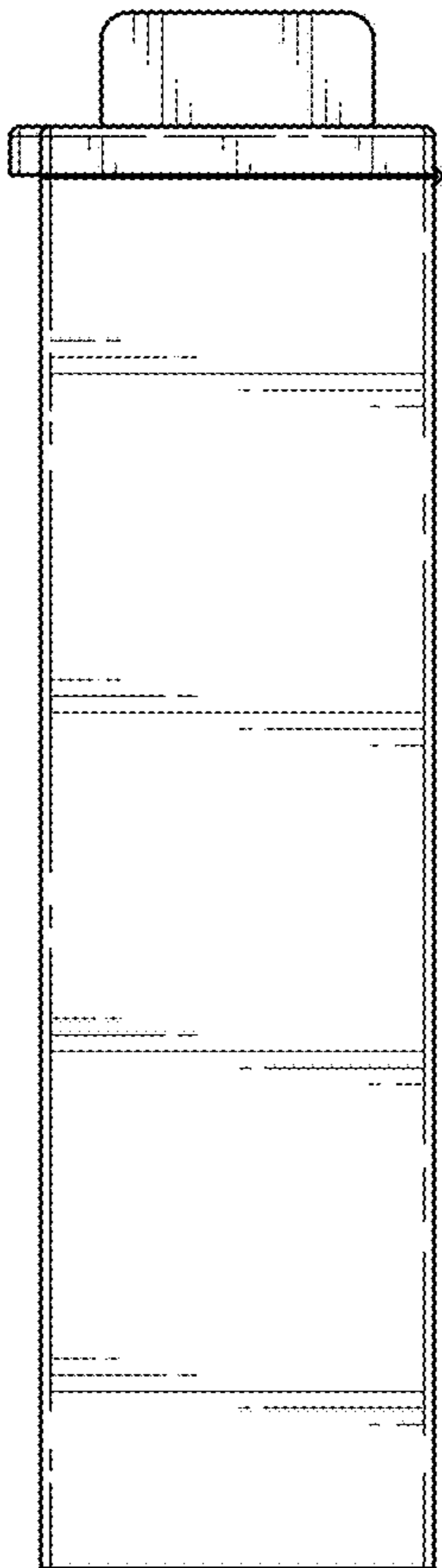


FIG. 13

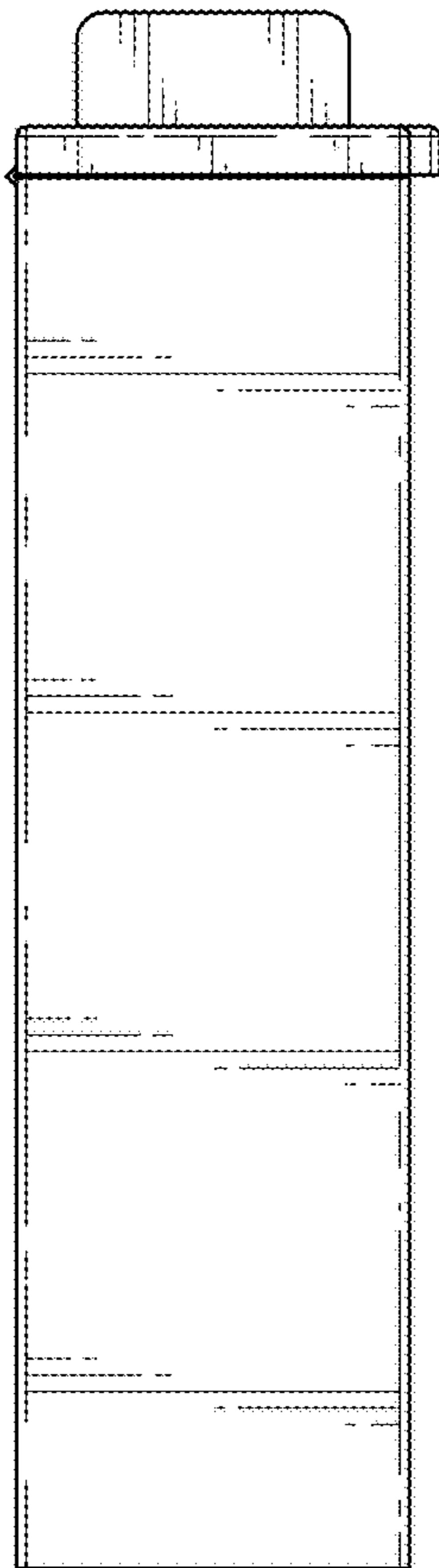


FIG. 14

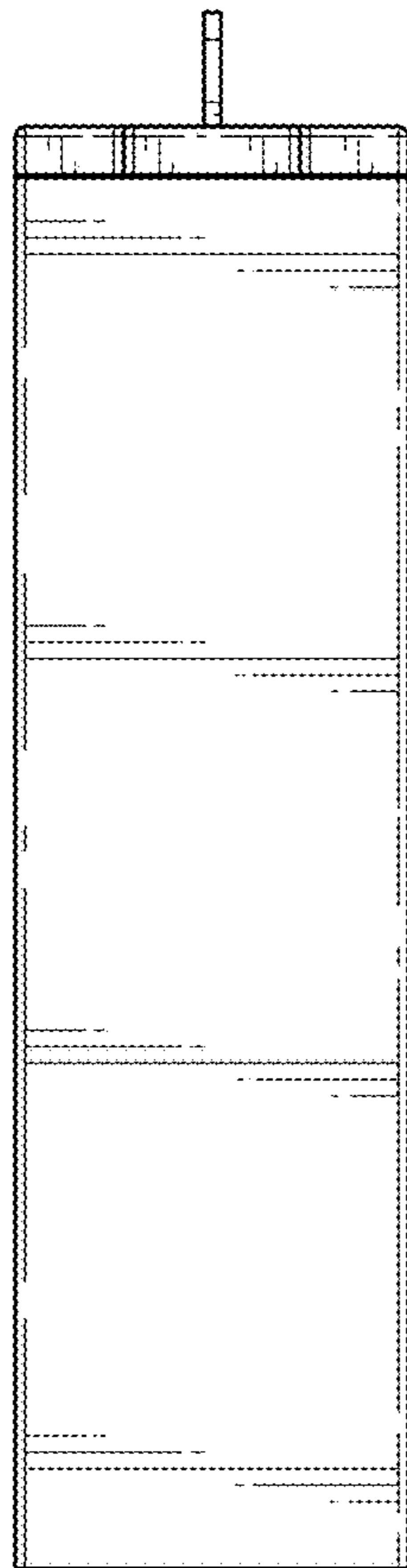


FIG. 15

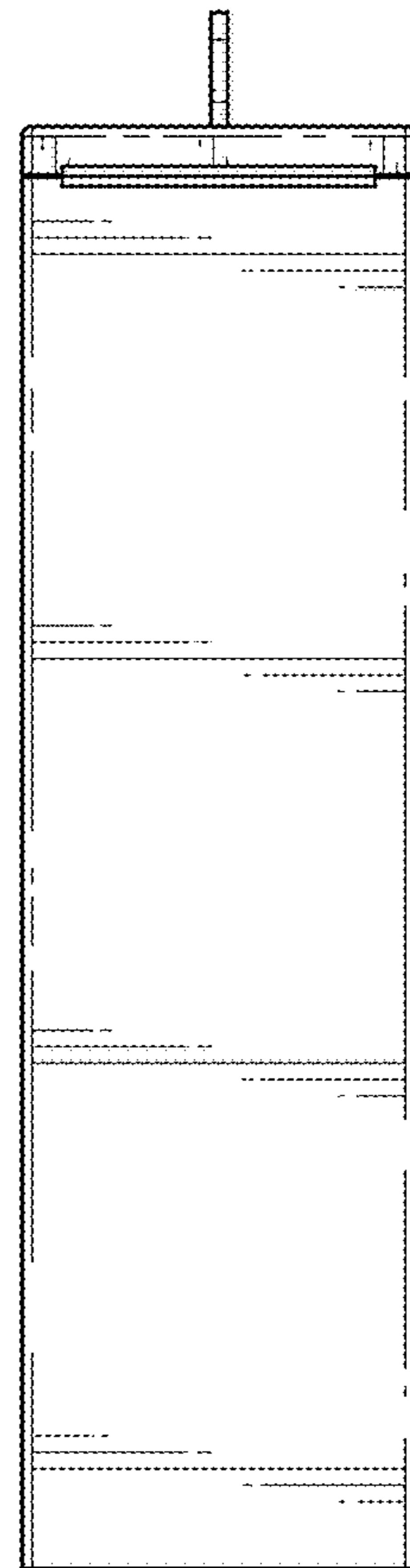


FIG. 16

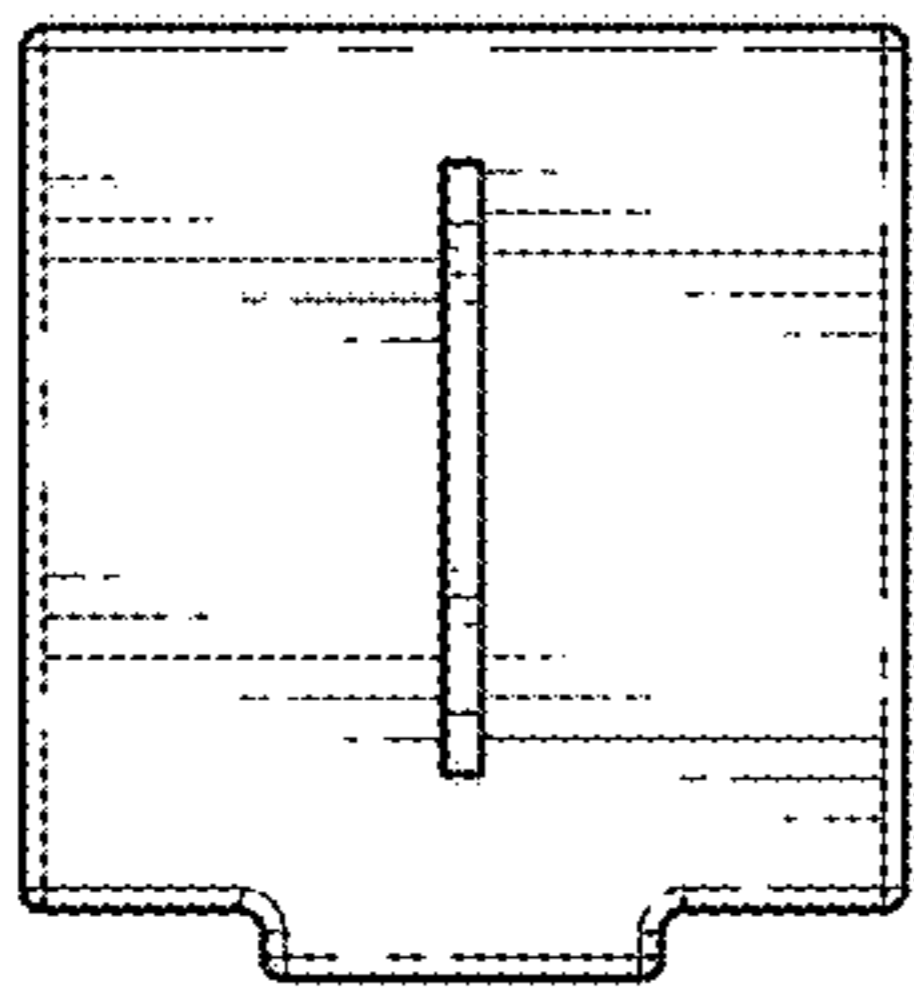


FIG. 17

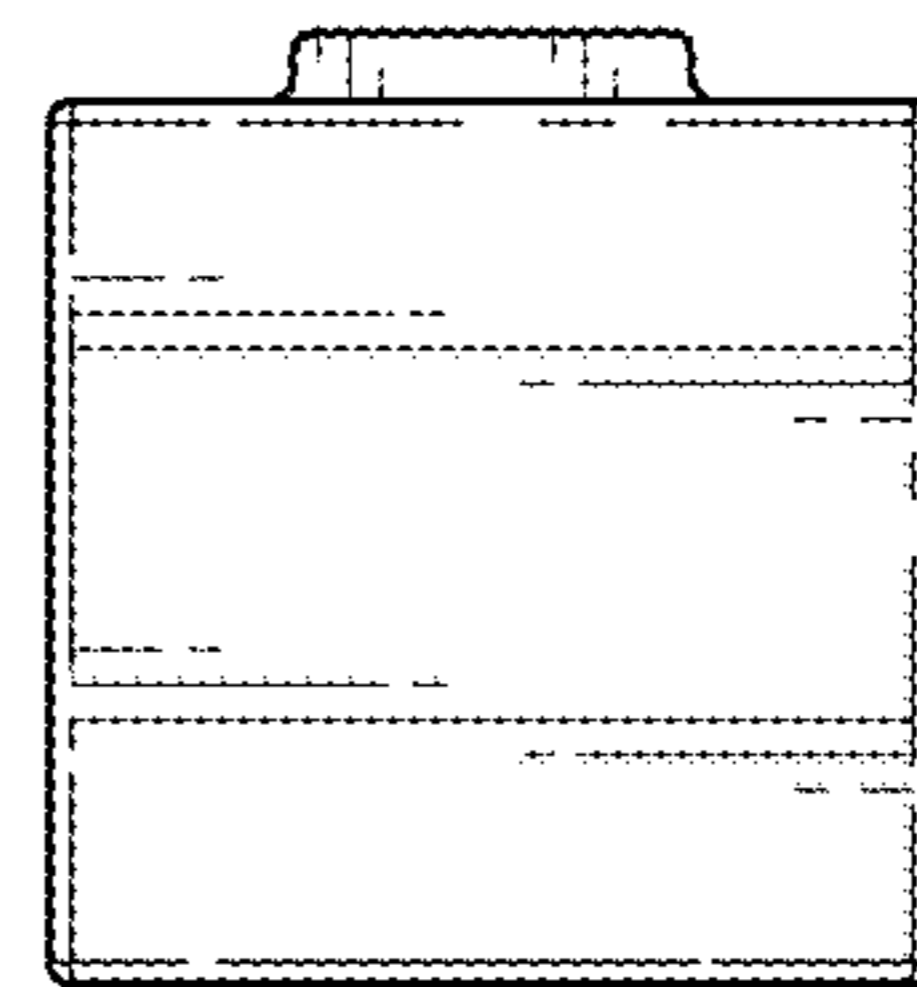


FIG. 18

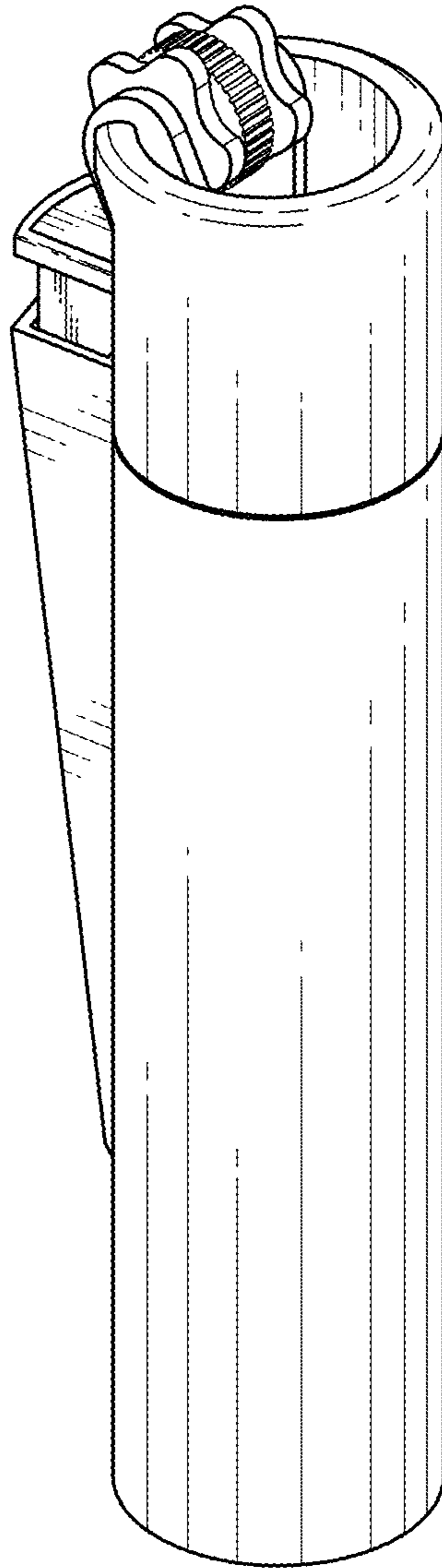


FIG. 19

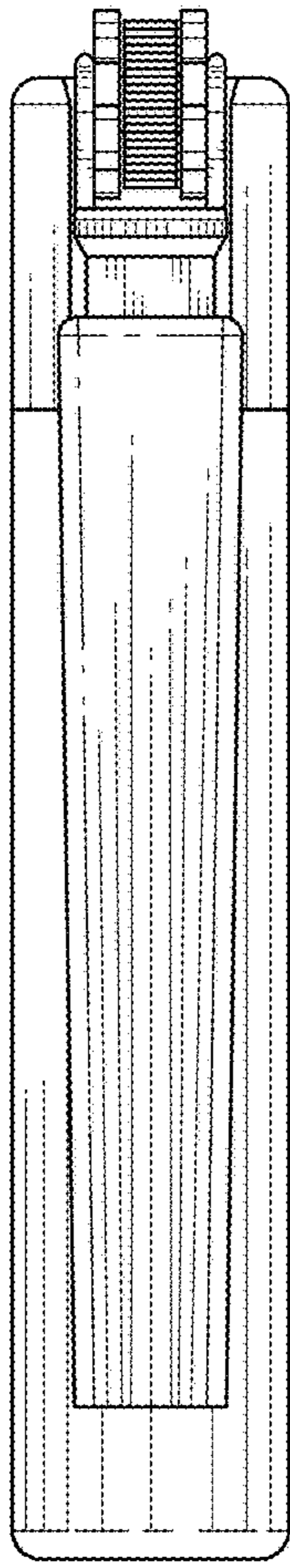


FIG. 20

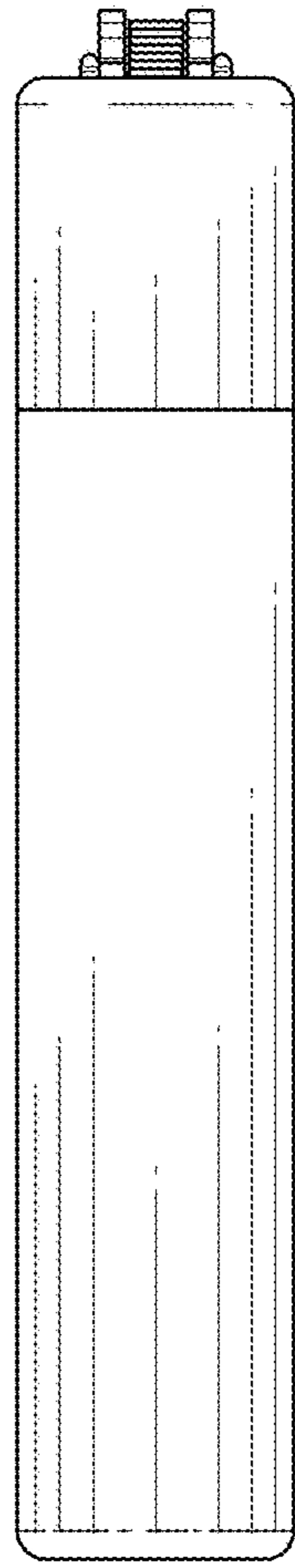


FIG. 21

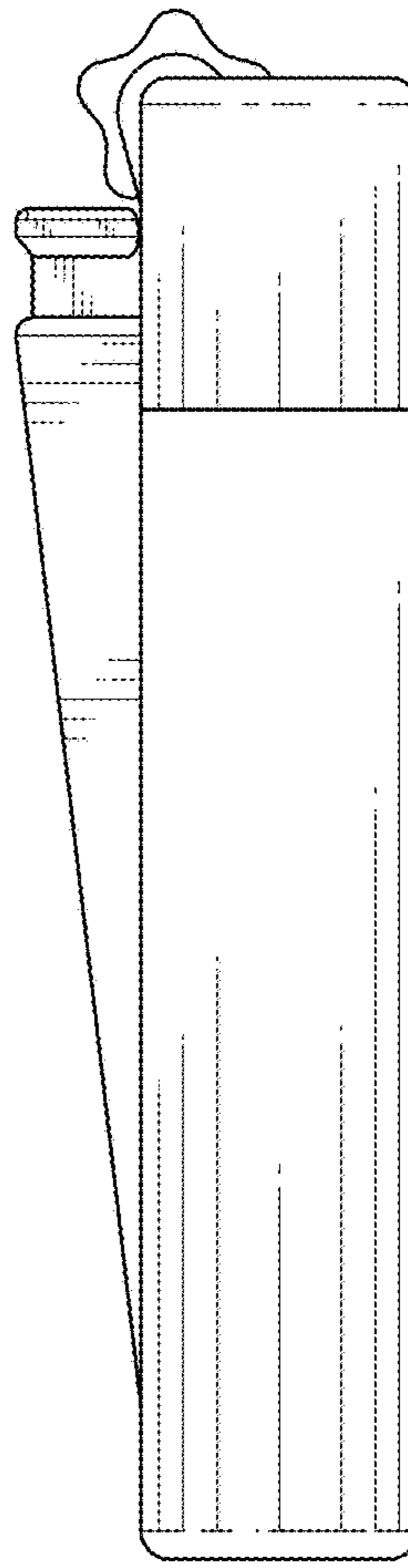


FIG. 22

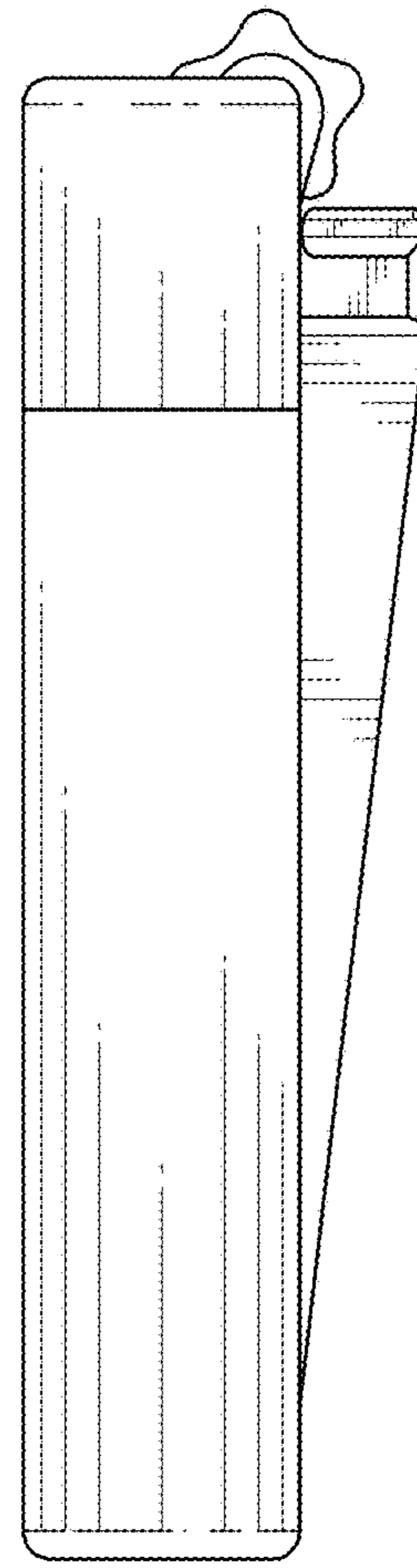


FIG. 23

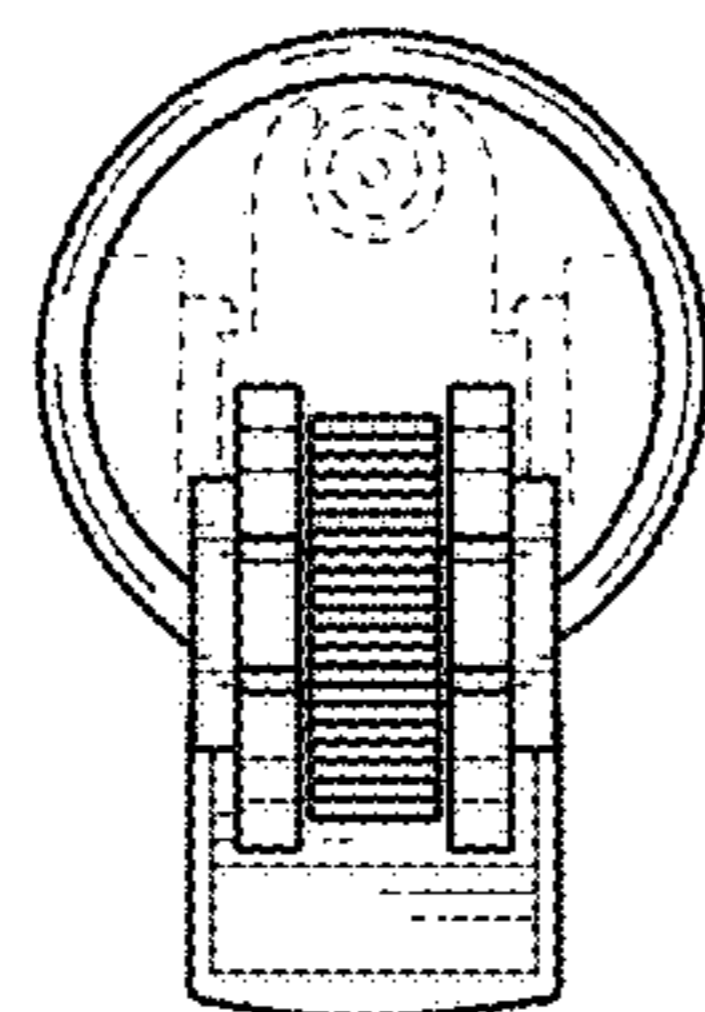


FIG. 24

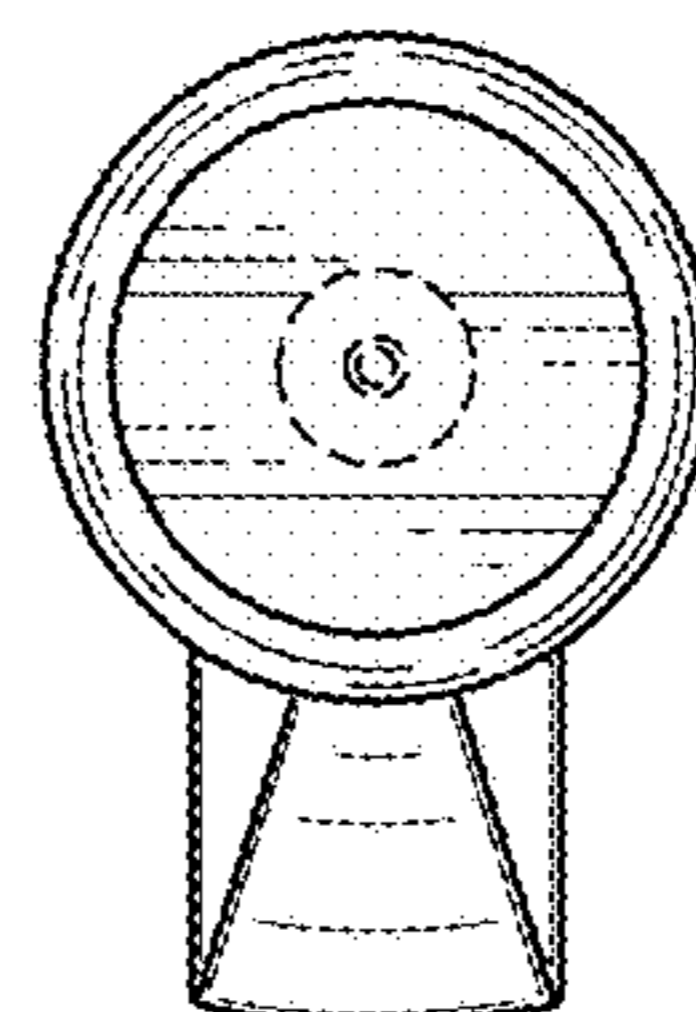


FIG. 25