



US00D850709S

(12) **United States Design Patent**  
**Tian et al.**

(10) **Patent No.:** **US D850,709 S**  
(45) **Date of Patent:** **\*\* Jun. 4, 2019**

(54) **LIGHT FIXTURE**

(71) Applicant: **NJZ Lighting Technology**, Peachtree  
Corners, GA (US)

(72) Inventors: **Wen Feng Tian**, Nanjing (CN); **Cheng  
Lin Pan**, Nanjing (CN); **Jie Yu Shu**,  
Nanjing (CN); **Jing Fang Miao**,  
Nanjing (CN)

(73) Assignee: **NJZ Lighting Technology**, Peachtree  
Corners, GA (US)

(\*\*) Term: **15 Years**

(21) Appl. No.: **29/623,570**

(22) Filed: **Oct. 25, 2017**

(51) **LOC (11) Cl.** ..... **26-05**

(52) **U.S. Cl.**  
USPC ..... **D26/138**

(58) **Field of Classification Search**  
USPC ..... D26/76, 78, 79, 80, 81, 82, 83, 85, 86,  
D26/88, 90, 93, 111, 113, 118, 119, 120,  
D26/121, 122, 138, 139, 140, 141, 142,  
D26/152

CPC ..... F21S 2/00; F21S 4/00; F21S 4/003; F21S  
4/005; F21S 4/006; F21S 4/007; F21S  
4/008; F21S 6/00; F21S 8/00; F21S  
8/024; F21S 8/026; F21S 8/031; F21S  
8/033; F21S 8/035-8/037; F21S 8/04;  
F21S 8/043; F21S 8/063

See application file for complete search history.

(56) **References Cited**

**U.S. PATENT DOCUMENTS**

D355,502 S \* 2/1995 Liao ..... D26/63  
D442,313 S \* 5/2001 Wojtkowiak ..... D26/71

D573,285 S \* 7/2008 Zettl ..... D26/63  
D656,654 S \* 3/2012 Wauters ..... D26/89  
D708,385 S \* 7/2014 Krogman ..... D26/118  
D718,478 S \* 11/2014 Adams ..... D26/28  
D770,075 S \* 10/2016 Huang ..... D26/74  
D775,404 S \* 12/2016 Adams ..... D26/118  
D778,487 S \* 2/2017 Salomon ..... D26/138  
D794,243 S \* 8/2017 Bryant ..... D26/138  
D797,361 S \* 9/2017 Deyaf ..... D26/120  
D820,509 S \* 6/2018 Nathans ..... D26/138  
D824,078 S \* 7/2018 Waldmann ..... D26/89  
D834,235 S \* 11/2018 Gambrel ..... D26/89

\* cited by examiner

*Primary Examiner* — Natasha Vujcic

(74) *Attorney, Agent, or Firm* — James Joyce; Godfrey &  
Kahn, S.C.

(57) **CLAIM**

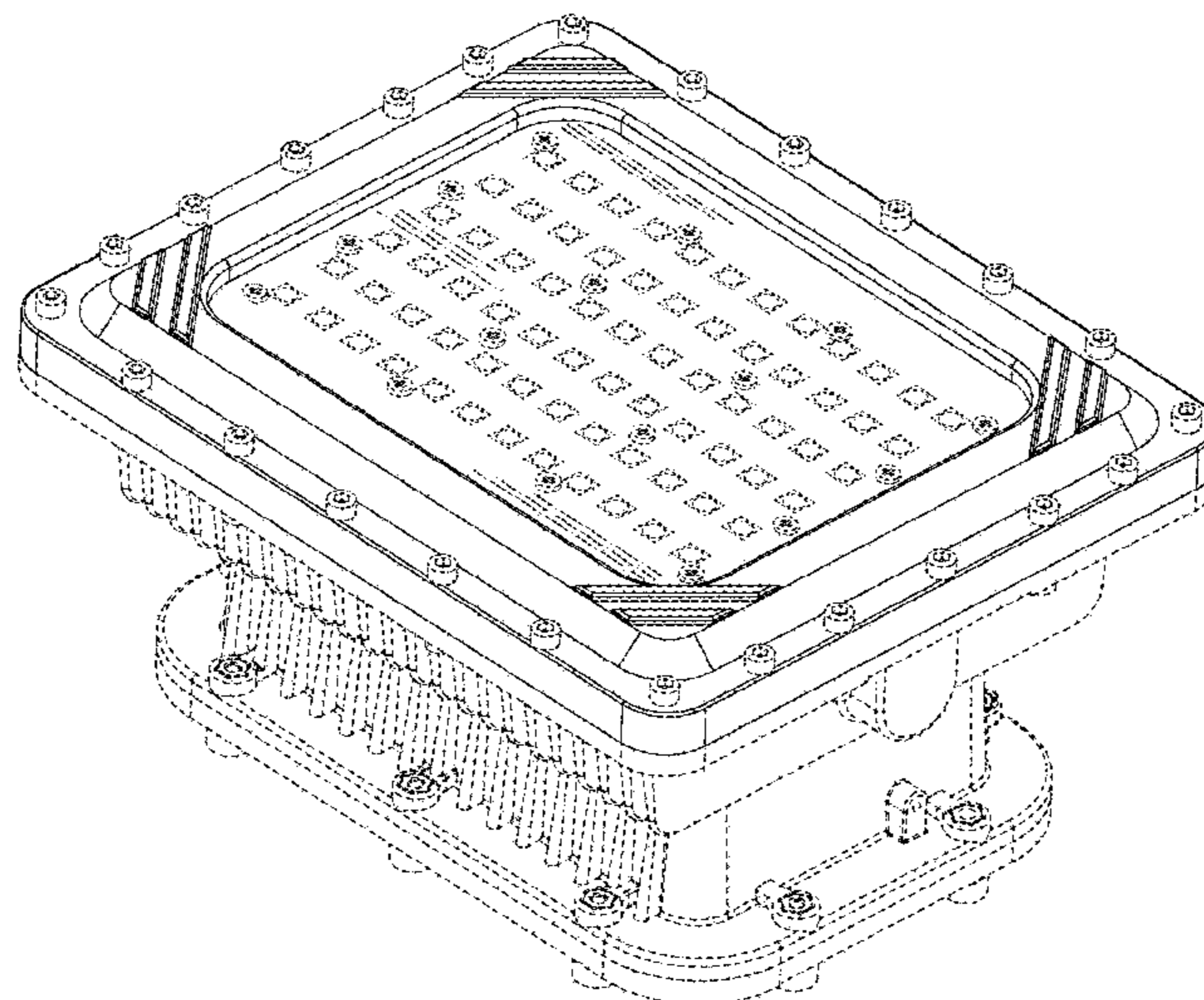
The ornamental design for a light fixture, as shown and  
described.

**DESCRIPTION**

FIG. 1 is a top front perspective view of a light fixture  
showing our new design;  
FIG. 2 is a bottom rear perspective view thereof;  
FIG. 3 is a front view thereof;  
FIG. 4 is a rear view thereof;  
FIG. 5 is a right side view thereof;  
FIG. 6 is a top view thereof;  
FIG. 7 is a left side view thereof; and,  
FIG. 8 is a bottom view thereof.

The broken lines in the figures show portions of the light  
fixture that form no part of the claimed design.

**1 Claim, 8 Drawing Sheets**



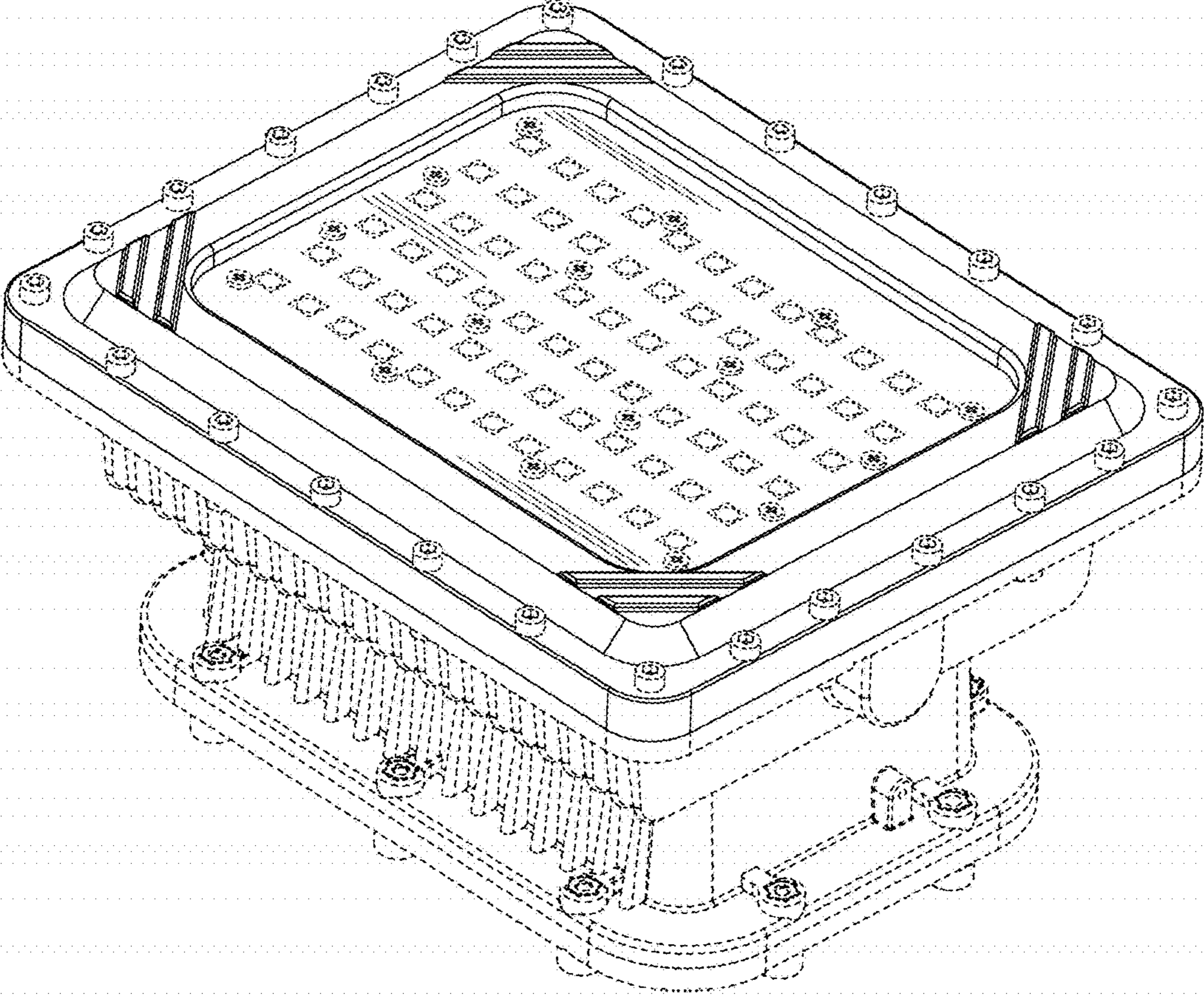


FIG. 1

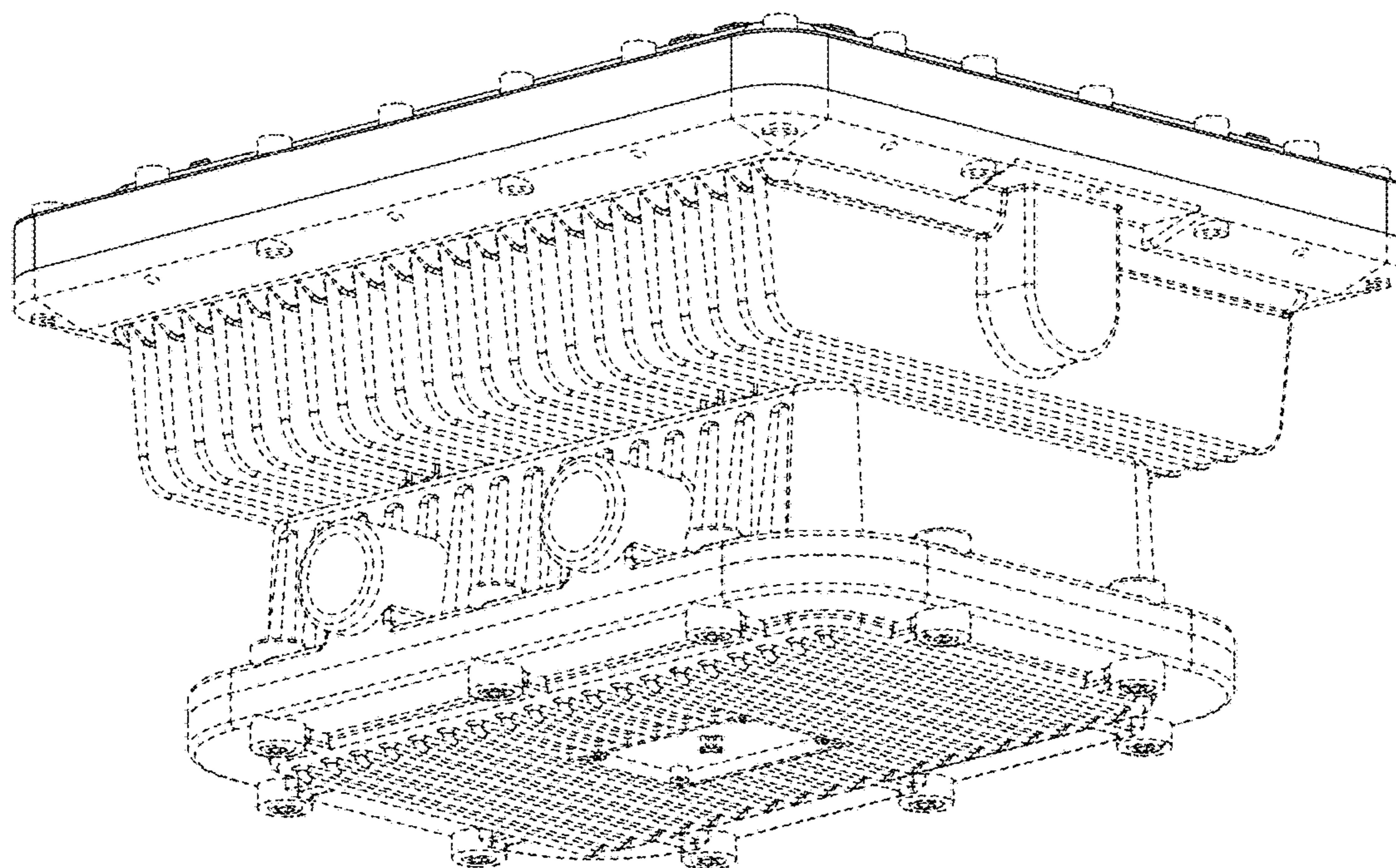


FIG. 2

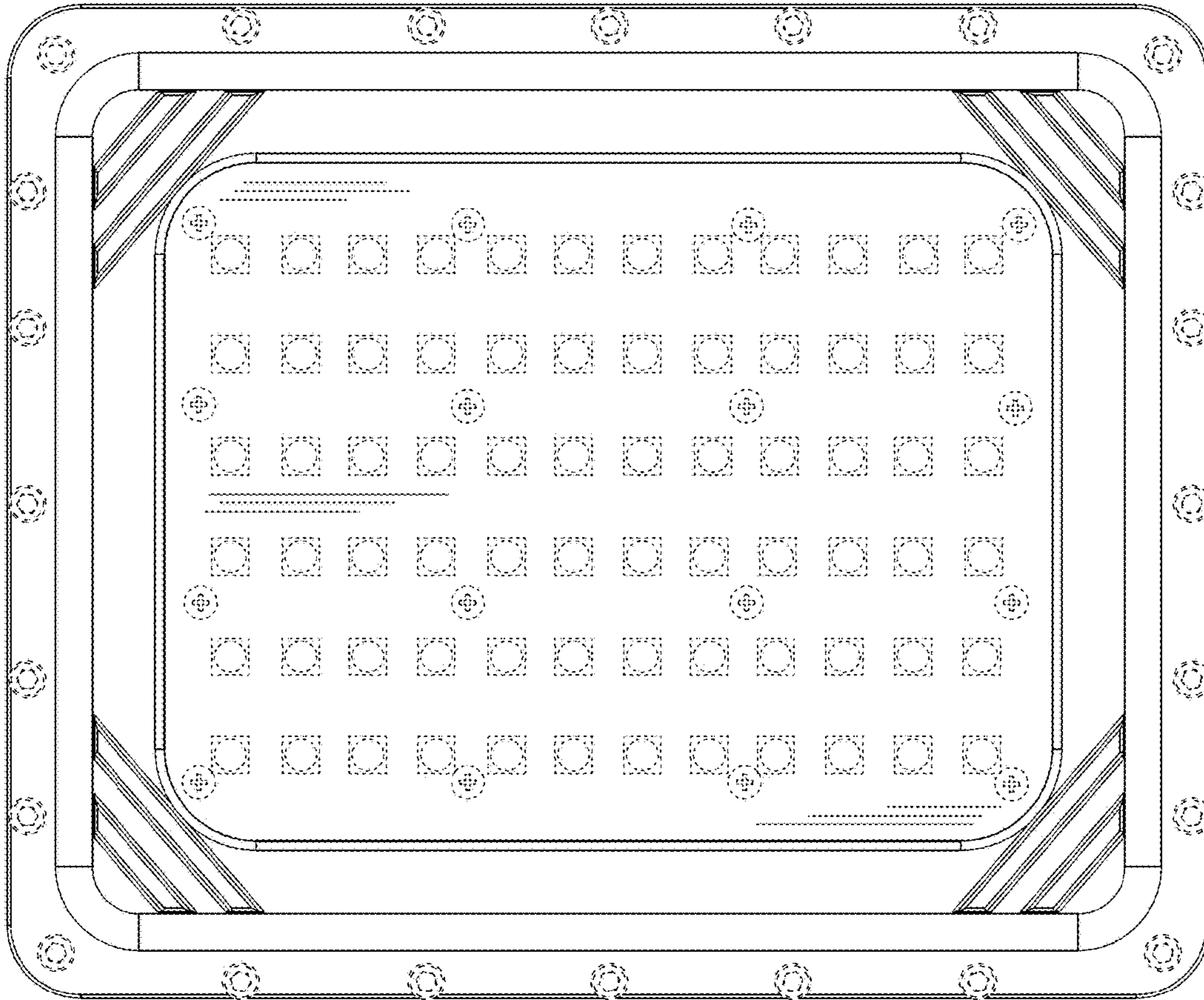


FIG. 3

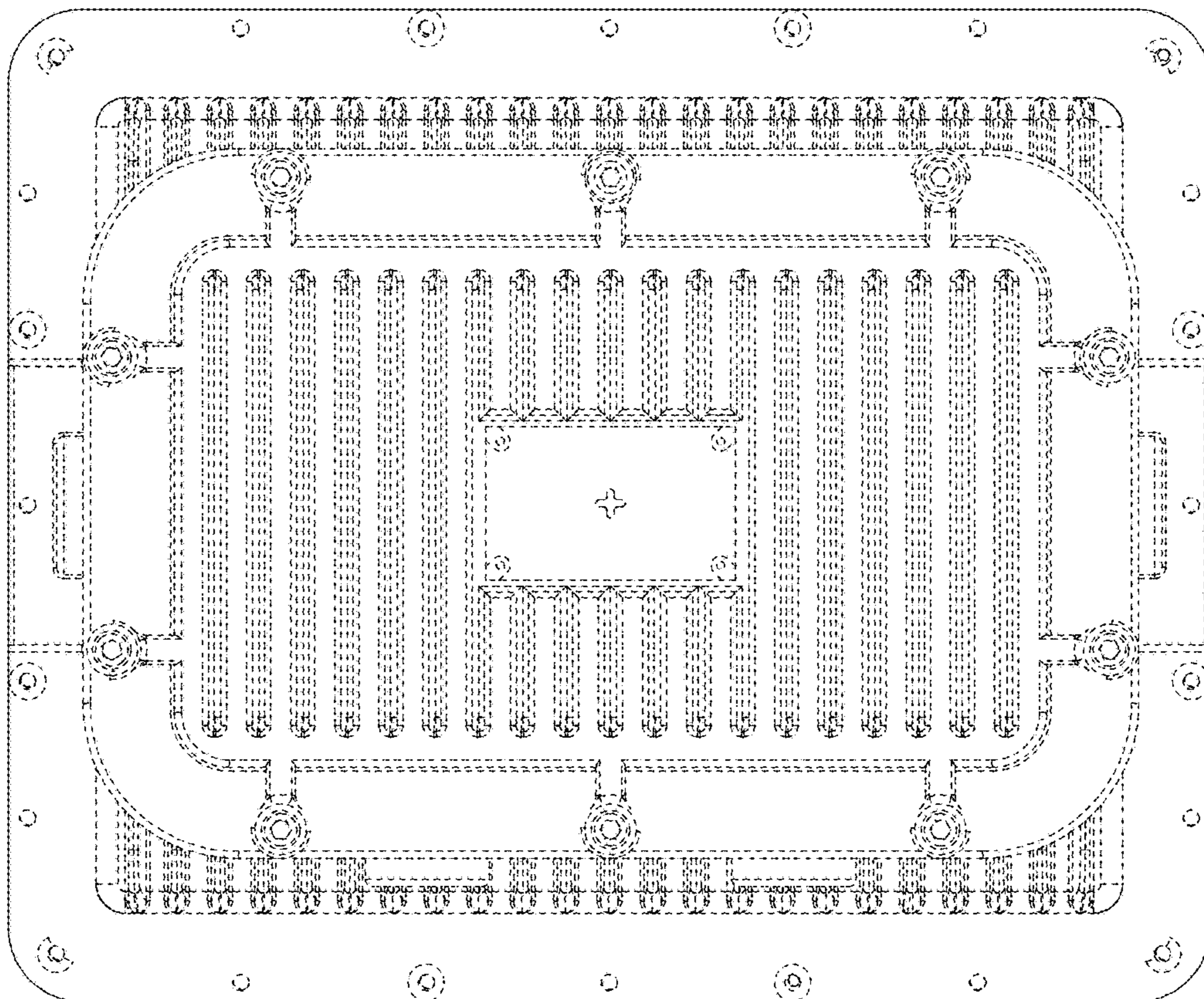


FIG. 4

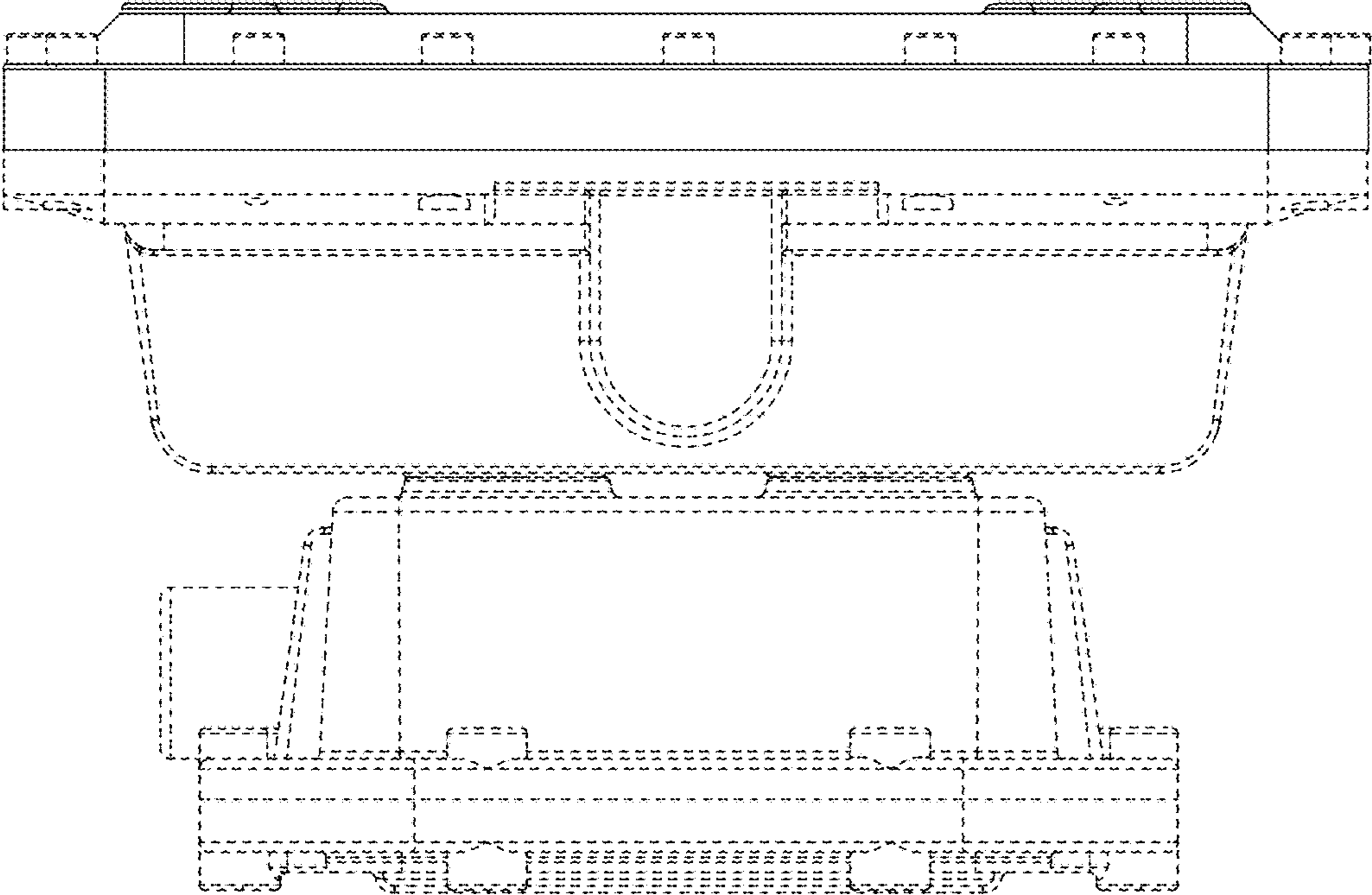


FIG. 5

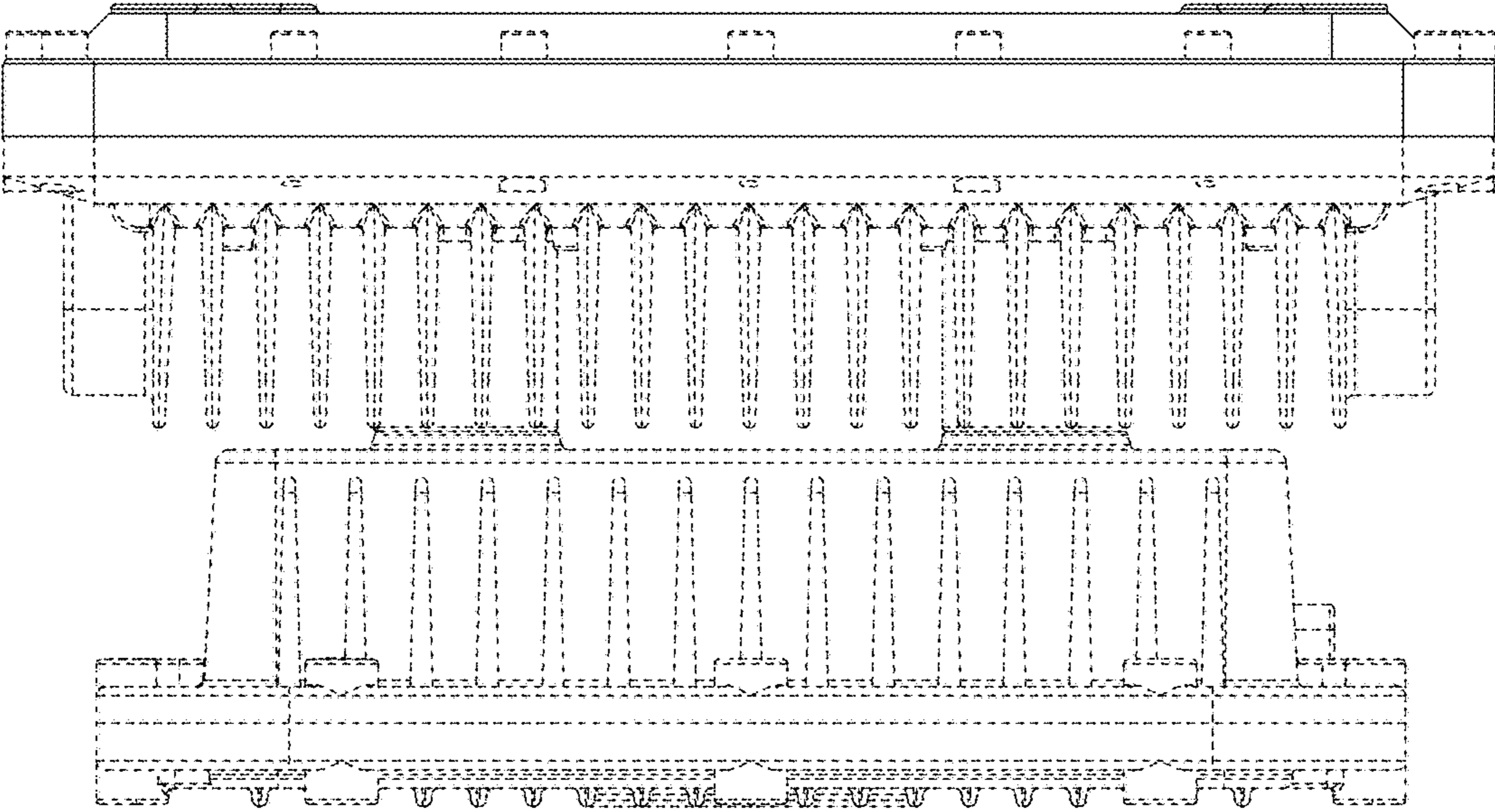


FIG. 6

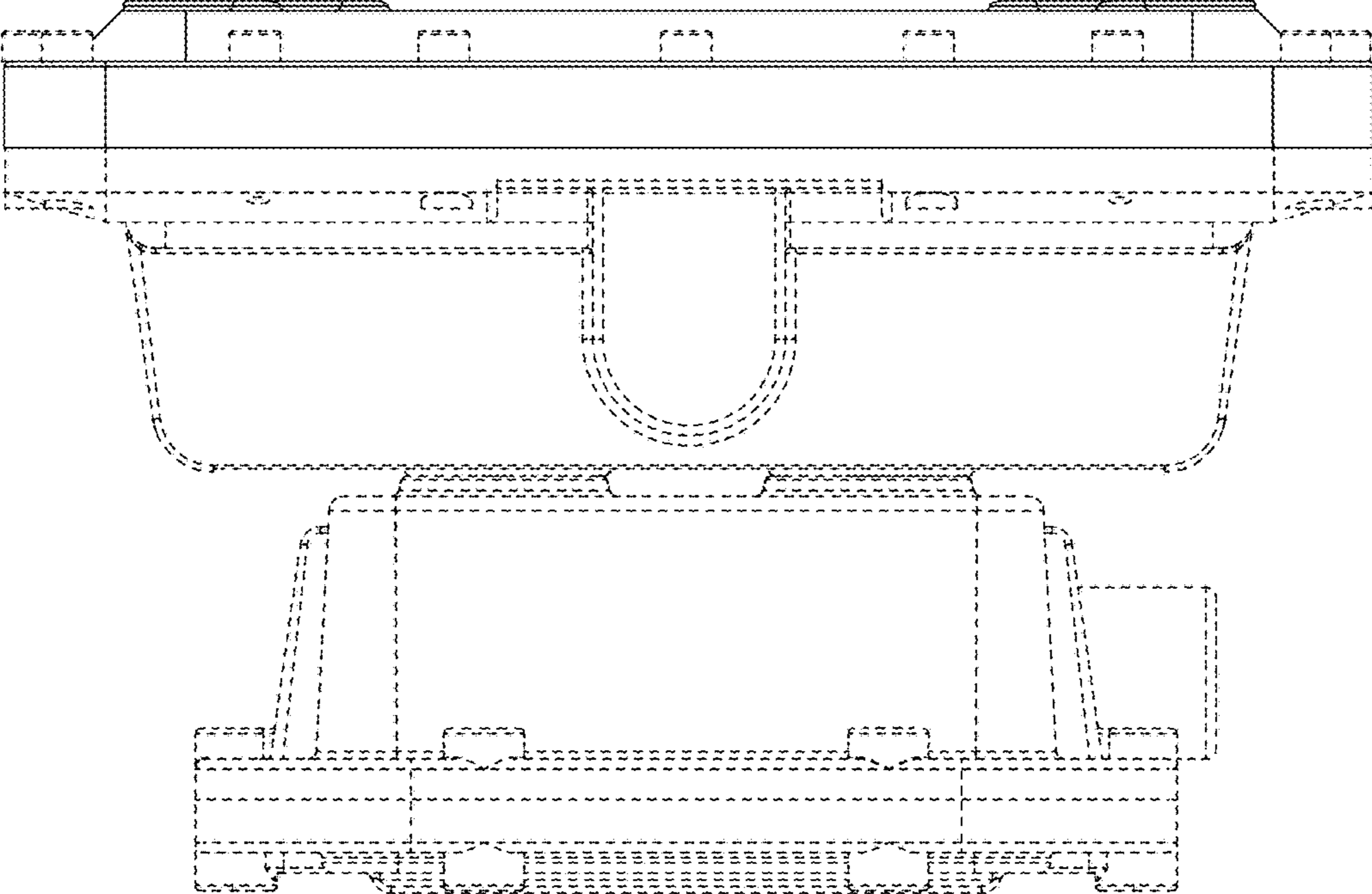


FIG. 7



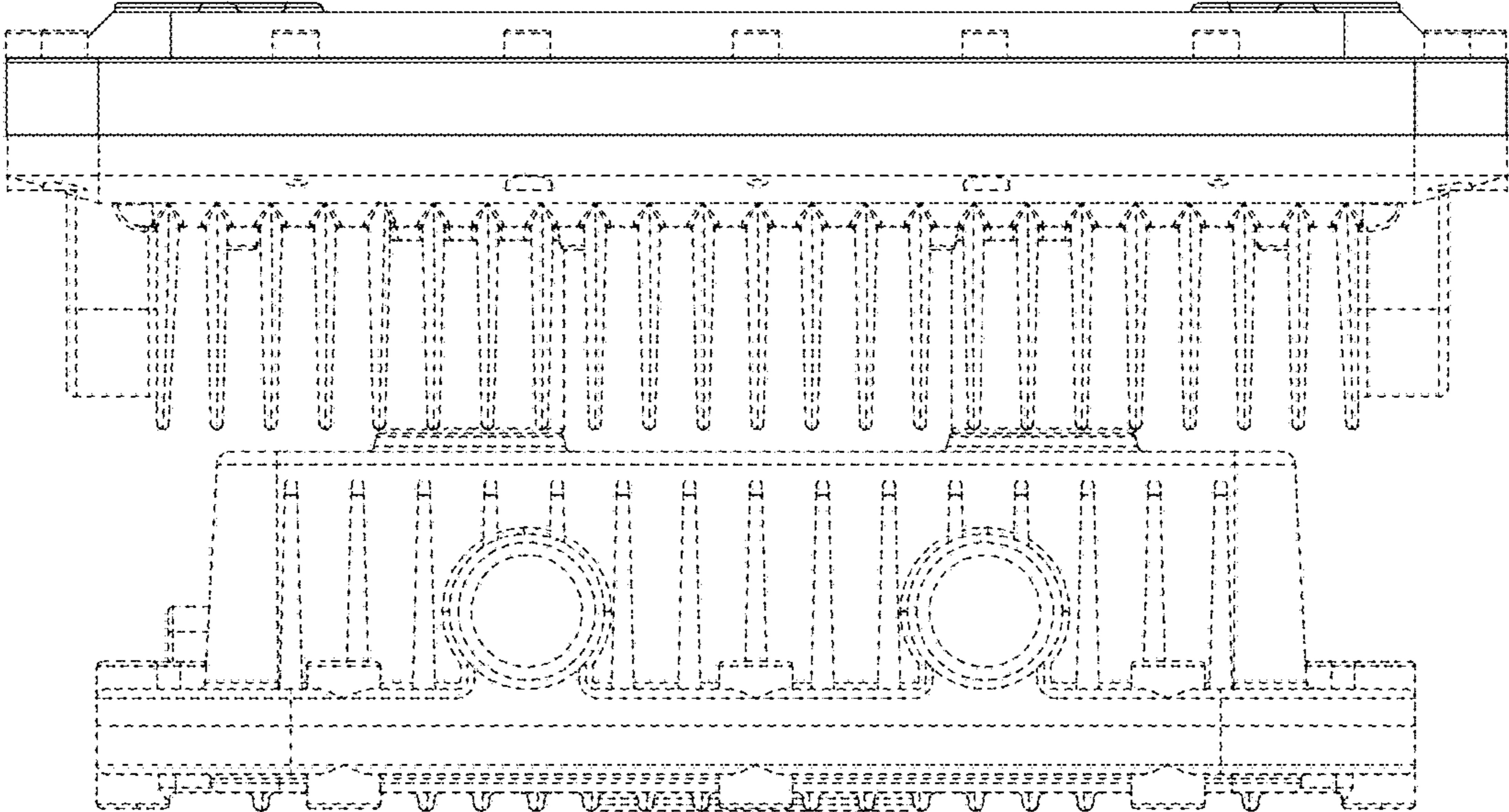


FIG. 8