



US00D850707S

(12) **United States Design Patent**  
**Tremaine et al.**

(10) **Patent No.:** **US D850,707 S**  
(45) **Date of Patent:** **\*\* Jun. 4, 2019**

- (54) **CURVED EXTRUSION PROFILE**
- (71) Applicant: **QTran, Inc.**, Milford, CT (US)
- (72) Inventors: **John M. Tremaine**, New Canaan, CT (US); **Adrian R. Teschemaker**, West Haven, CT (US); **Irving M. Heredia**, New Britain, CT (US)
- (73) Assignee: **QTran, Inc.**, Milford, CT (US)
- (\*\*) Term: **15 Years**
- (21) Appl. No.: **29/604,628**
- (22) Filed: **May 18, 2017**

D348,947 S	7/1994	Holcomb	
D520,667 S	5/2006	Jae-Sung	
D569,025 S	5/2008	Hakamada	
D569,027 S	5/2008	Hakamada	
D580,583 S	11/2008	Pfund	
D583,496 S	12/2008	Kuo	
D598,603 S	8/2009	Cunius	
D599,945 S	9/2009	Pfund	
D602,627 S	10/2009	Lasthein	
D603,548 S	11/2009	Pei	
D621,091 S *	8/2010	Klu	D26/138
D624,229 S	9/2010	Adolph	
D649,682 S *	11/2011	Trzesniowski	D26/138
D649,683 S *	11/2011	Trzesniowski	D26/138
D649,691 S *	11/2011	Trzesniowski	D26/138
D649,692 S *	11/2011	Trzesniowski	D26/138

(Continued)

**Related U.S. Application Data**

- (63) Continuation-in-part of application No. 15/353,659, filed on Nov. 16, 2016, now abandoned.
- (51) **LOC (11) Cl.** ..... **26-05**
- (52) **U.S. Cl.**  
USPC ..... **D26/138**
- (58) **Field of Classification Search**  
USPC ..... D26/76, 78, 79, 80, 81, 82, 83, 85, 86, D26/88, 90, 93, 111, 113, 118, 119, 120, D26/121, 122, 138, 139, 140, 141, 142, D26/152  
CPC ..... F21S 2/00; F21S 4/00; F21S 4/003; F21S 4/005; F21S 4/006; F21S 4/007; F21S 4/008; F21S 6/00; F21S 8/00; F21S 8/024; F21S 8/026; F21S 8/031; F21S 8/033; F21S 8/035-8/037; F21S 8/04; F21S 8/043; F21S 8/063  
See application file for complete search history.

**References Cited**

**U.S. PATENT DOCUMENTS**

D313,858 S	1/1991	Whitney
D329,299 S	9/1992	Cole

*Primary Examiner* — Natasha Vujcic

(74) *Attorney, Agent, or Firm* — Ware, Fressola, Maguire & Barber LLP

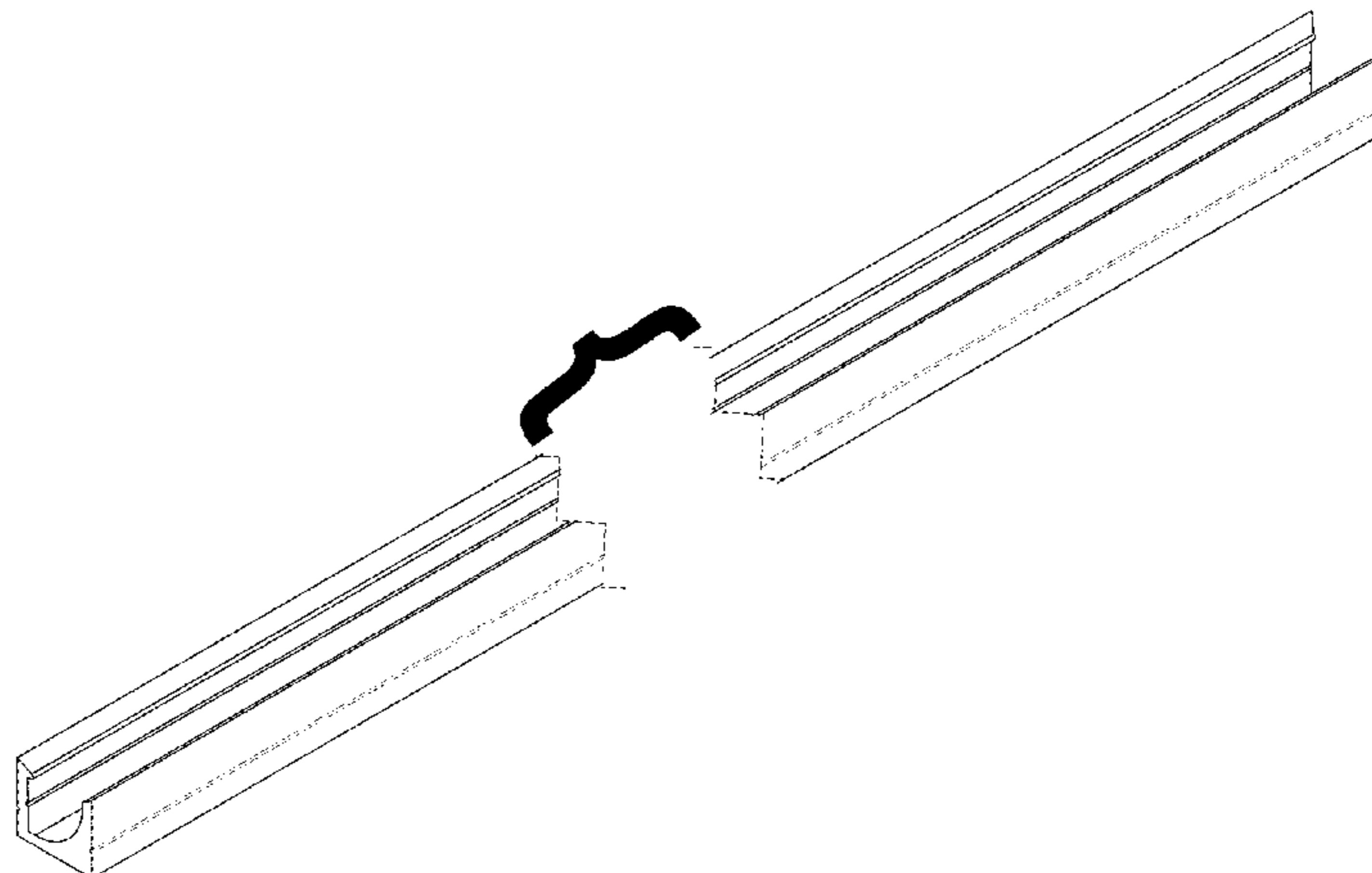
(57) **CLAIM**

The ornamental design for a curved extrusion profile as shown and described.

**DESCRIPTION**

FIG. 1 is a top perspective view of a curved extrusion profile showing our new design;  
 FIG. 2 is a front elevational view thereof, the rear elevational view being a mirror image thereof;  
 FIG. 3 is a top plan view thereof; and,  
 FIG. 4 is a left side elevational view thereof, the right side elevational view being a mirror image thereof.  
 The curved extrusion profile is shown with a symbolic break in its length. The appearance of any portion of the curved extrusion profile between the jagged break lines forms no part of the claimed design.  
 The broken lines in the drawings illustrate portions of the curved extrusion profile which form no part of the claimed design.

**1 Claim, 4 Drawing Sheets**



(56)

References Cited

U.S. PATENT DOCUMENTS

D651,739	S	*	1/2012	Trzesniowski .....	D26/138
D662,653	S	*	6/2012	Hochman .....	D26/138
D690,452	S		9/2013	Payne	
D695,443	S		12/2013	Kaule	
D695,955	S	*	12/2013	Klus .....	D26/138
D696,814	S	*	12/2013	Matus, Jr. ....	D26/138
D731,704	S	*	6/2015	Klus .....	D26/138
D747,539	S		1/2016	Santoro	
D766,487	S		9/2016	Cai	
D774,682	S		12/2016	Chen	
D779,713	S		2/2017	Sonneman	
D785,229	S		4/2017	Noh	
D787,107	S		5/2017	Burmeister	
D798,471	S	*	9/2017	Tremaine .....	D25/119
D799,065	S	*	10/2017	Tremaine .....	D25/119
D805,235	S		12/2017	Waldmann	
D807,572	S	*	1/2018	Klus .....	D26/138
D810,962	S		2/2018	McGowan	
D813,443	S		3/2018	Matteson	
D818,187	S	*	5/2018	Trzesniowski .....	D26/138
2010/0214770	A1		8/2010	Anderson	
2012/0218757	A1		8/2012	Gill	
2013/0145704	A1		6/2013	Stein	
2018/0202643	A1		7/2018	Wang	
2018/0306413	A1	*	10/2018	Tremaine .....	F21V 15/012

\* cited by examiner

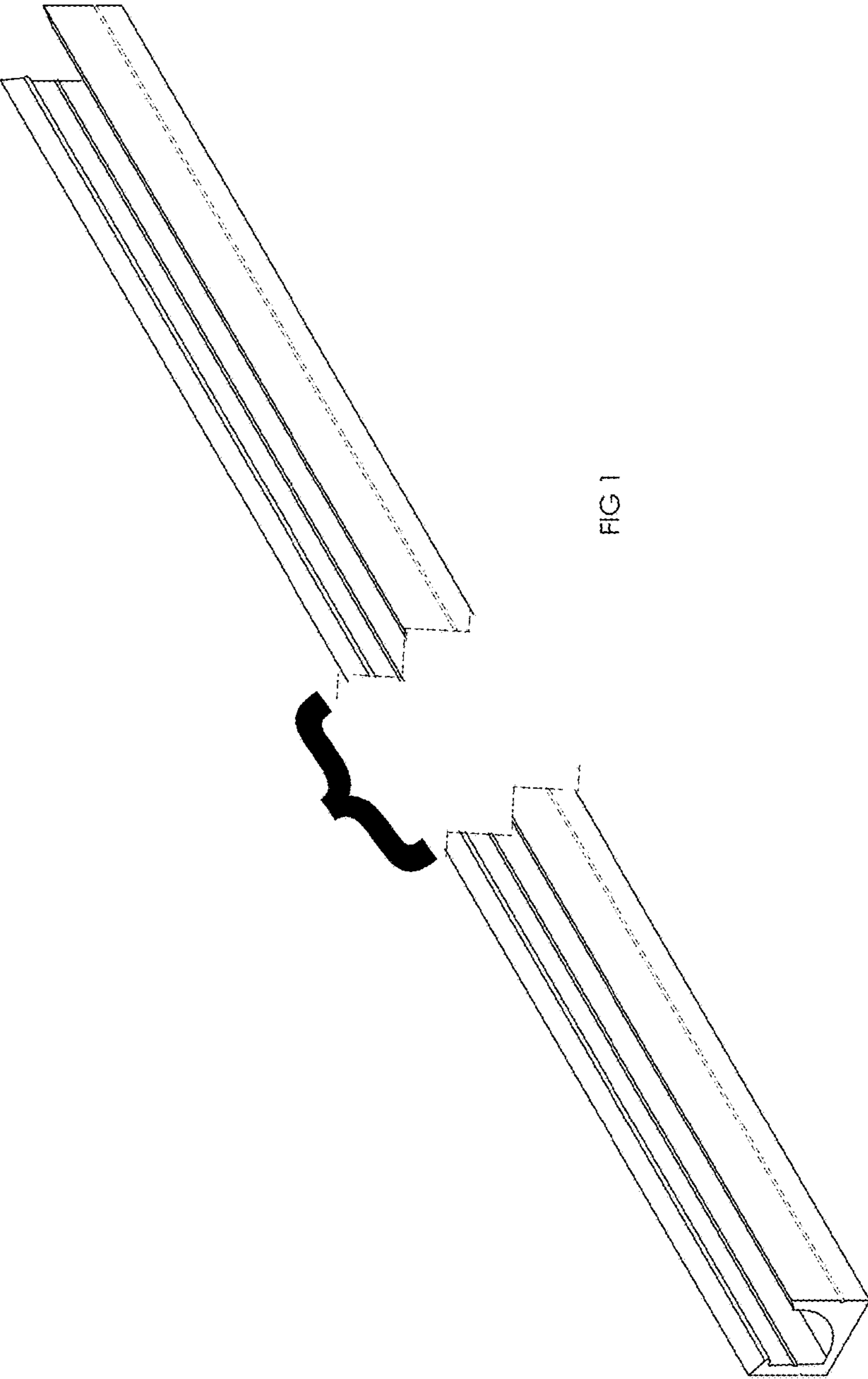


FIG 1

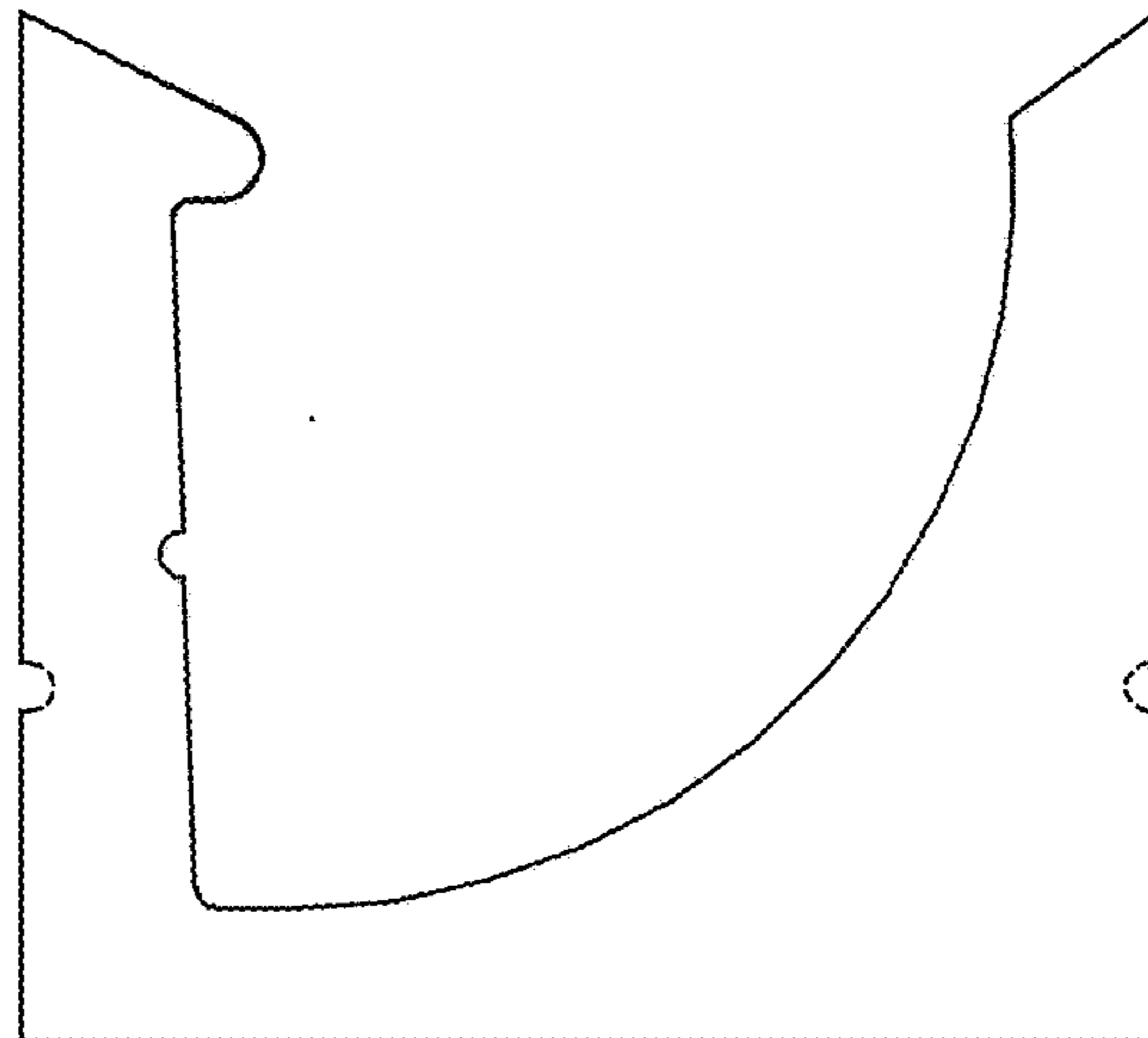


FIG. 2

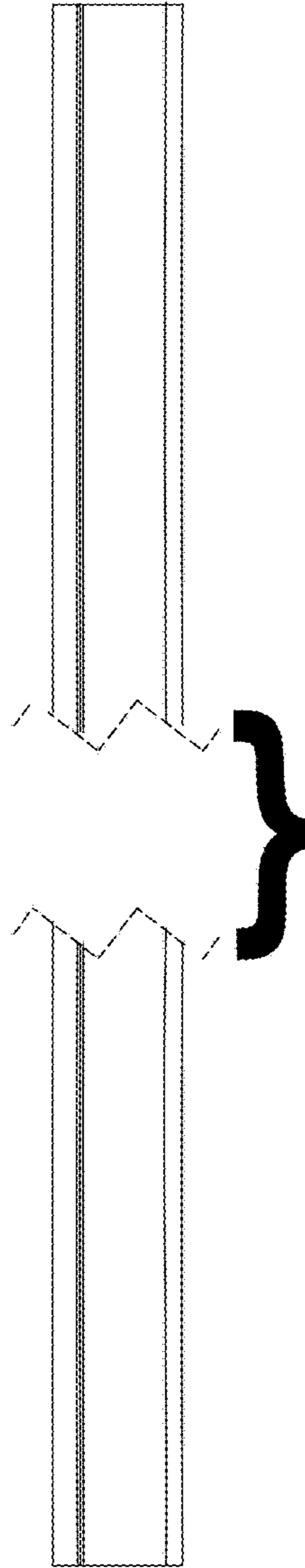


FIG. 3

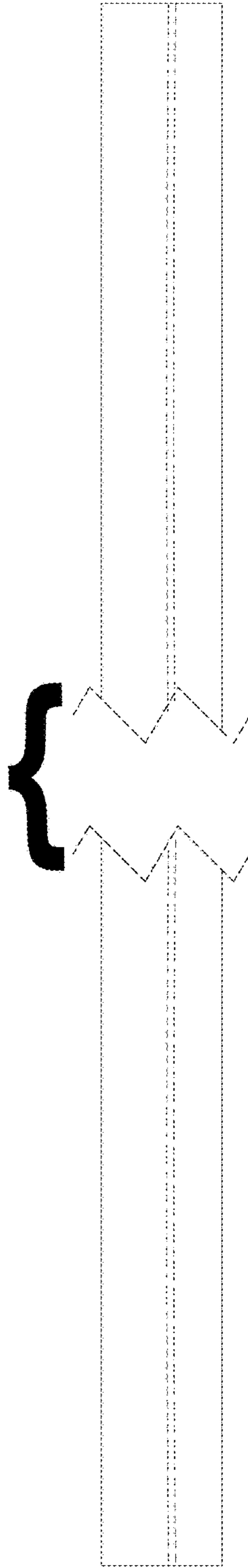


FIG. 4