



US00D850706S

(12) **United States Design Patent** (10) **Patent No.:** **US D850,706 S**
Pearson et al. (45) **Date of Patent:** **** Jun. 4, 2019**

(54) **LIGHT FIXTURE LENS**

(56) **References Cited**

(71) Applicant: **TEMPO INDUSTRIES, LLC**, Irvine, CA (US)

U.S. PATENT DOCUMENTS

(72) Inventors: **Dennis Pearson**, Foothill Ranch, CA (US); **Michael D. Bremser**, Seal Beach, CA (US); **Thomas Leuken**, Beaumont, CA (US); **Shaun Toms**, Fontana, CA (US)

D438,326 S *	2/2001	Kan	D26/76
D637,338 S *	5/2011	Kong	D26/76
D647,241 S *	10/2011	Takahashi	D26/76
D701,989 S *	4/2014	Rodgers	D26/76
D707,880 S *	6/2014	Magnusson	D26/120
D709,636 S *	7/2014	Murata	D26/72
D733,347 S *	6/2015	Dungan	D26/76
D737,500 S *	8/2015	Santoro	D26/120
D776,862 S *	1/2017	Plourde	H05B 33/0803
				D26/118
9,841,153 B2 *	12/2017	Pearson	F21V 3/02

(73) Assignee: **TEMPO INDUSTRIES, LLC**, Irvine, CA (US)

* cited by examiner

(**) Term: **15 Years**

Primary Examiner — Brian N. Vinson

(21) Appl. No.: **29/609,285**

(74) *Attorney, Agent, or Firm* — Lapple Ubell IP Law, LLP; Franklin D. Ubell

(22) Filed: **Jun. 29, 2017**

(57) **CLAIM**

The ornamental design for a light fixture lens, as shown and described.

Related U.S. Application Data

(62) Division of application No. 15/335,401, filed on Oct. 26, 2016.

DESCRIPTION

(51) **LOC (11) Cl.** **26-99**

FIG. 1 is a front perspective view of the light fixture lens; FIG. 2 is a bottom view thereof; FIG. 3 is top view thereof; and FIG. 4 is a first end view thereof; FIG. 5 is a second end view thereof; FIG. 6 is a front view thereof; and, FIG. 7 is an enlarged partial perspective of the right end of the lens which is a mirror image of the left end thereof. The broken lines shown in the drawings are for illustrative purposes only and form no part of the claimed design.

(52) **U.S. Cl.**

USPC **D26/120**

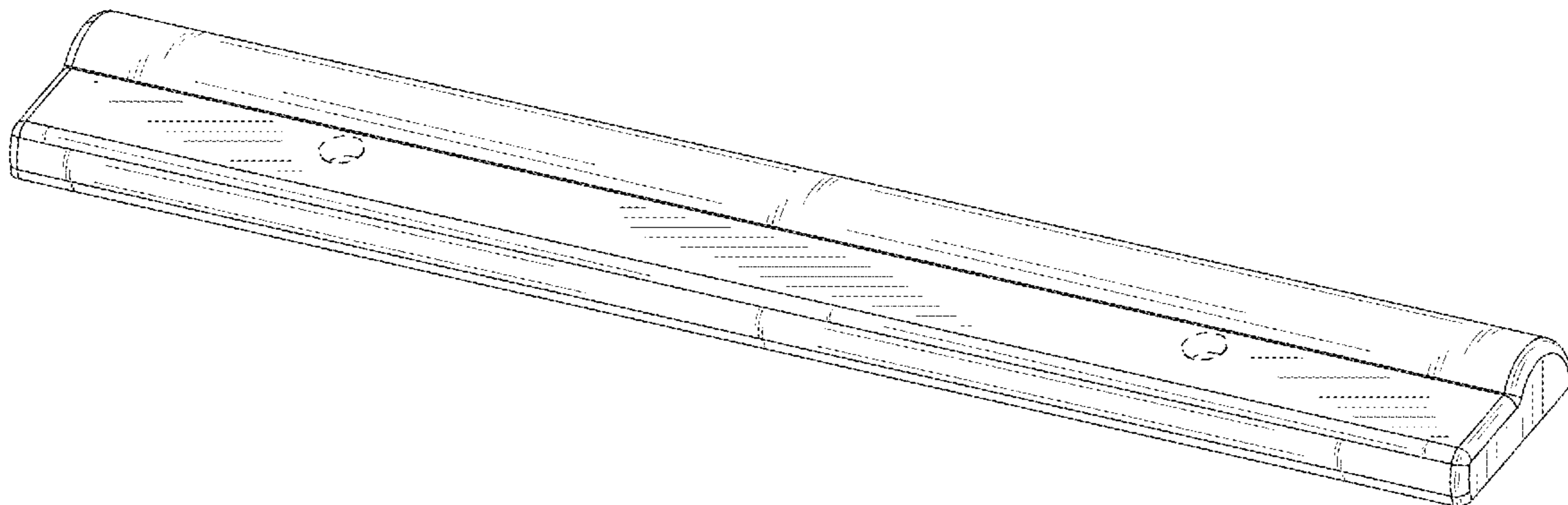
(58) **Field of Classification Search**

USPC D26/1-3, 24, 42, 72, 76, 109, 118, 120, D26/132, 133

CPC H05B 37/02; G01R 31/00; H01K 5/00; H01J 5/00; H01J 15/00; H01J 1/02; H01J 5/16; H01R 13/46; H01R 13/514; H01R 31/02; H01L 31/048; F21V 3/02

See application file for complete search history.

1 Claim, 4 Drawing Sheets



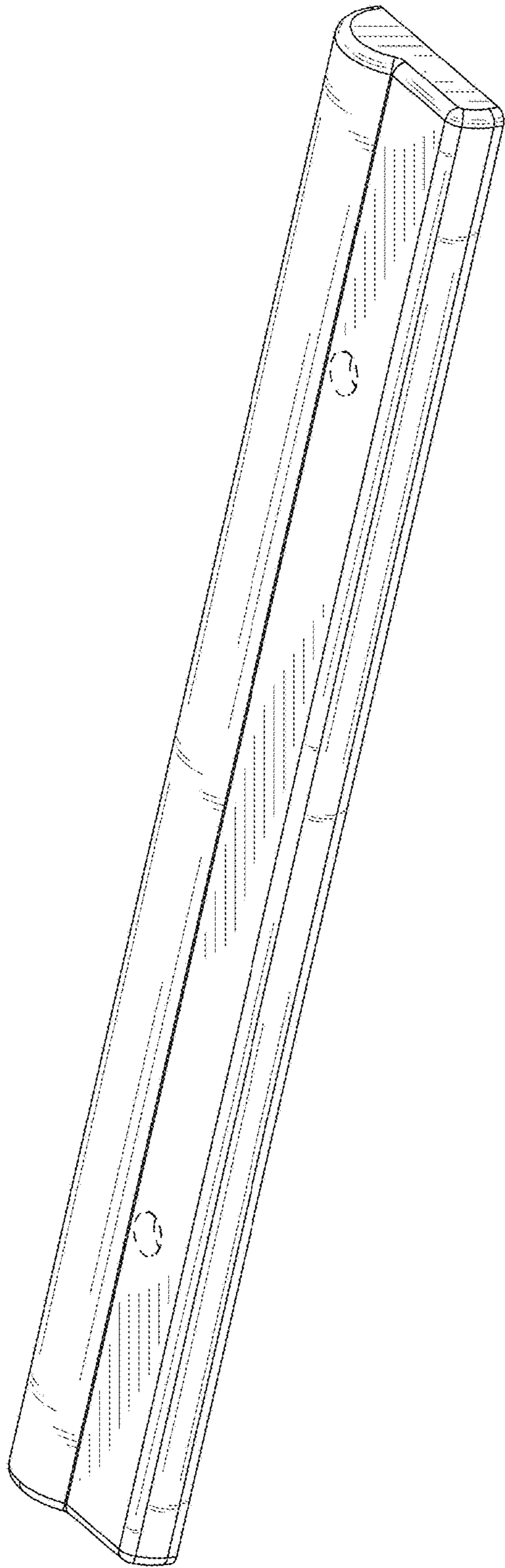


FIG. 1



FIG. 2

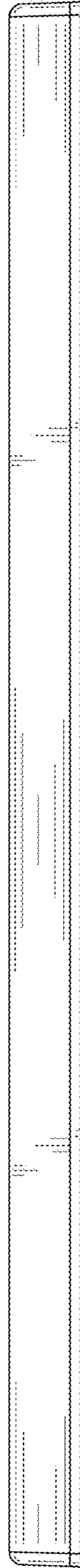


FIG. 3

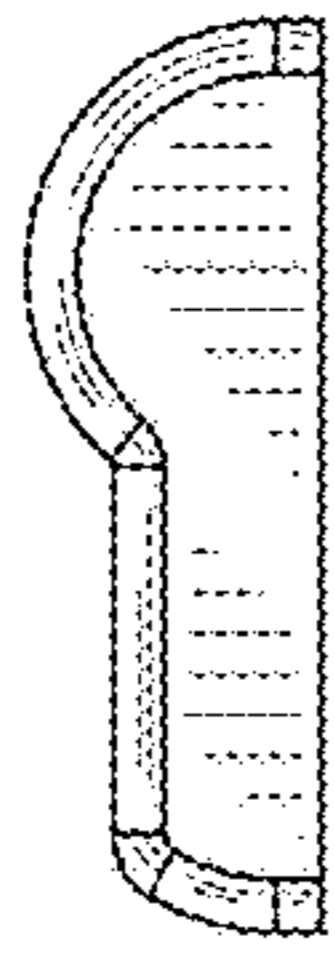
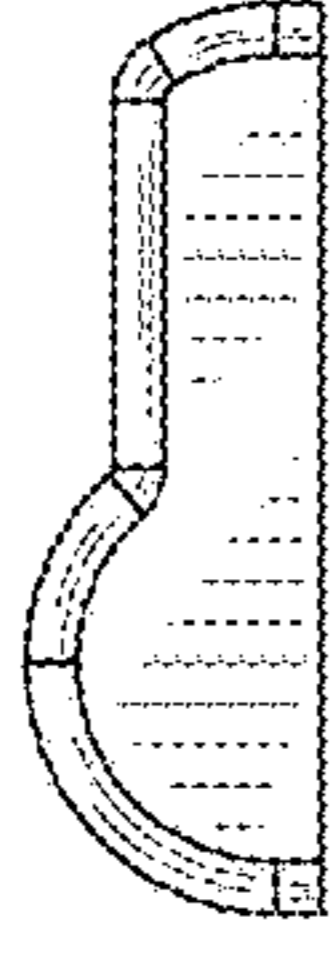


FIG. 4

FIG. 5

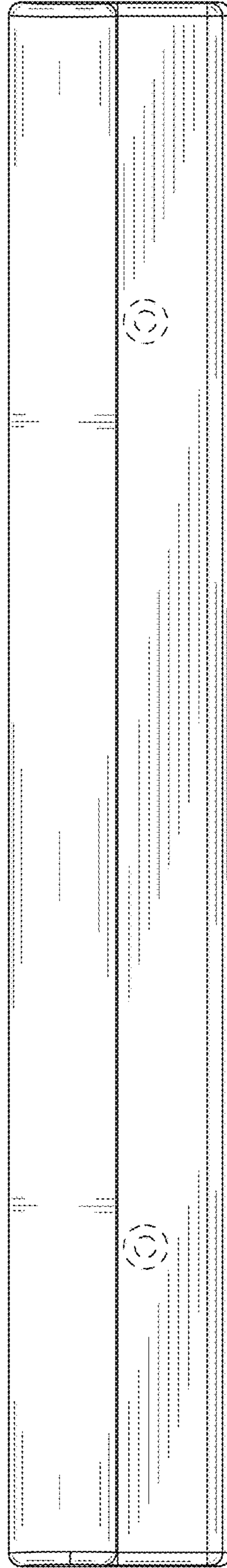


FIG. 6

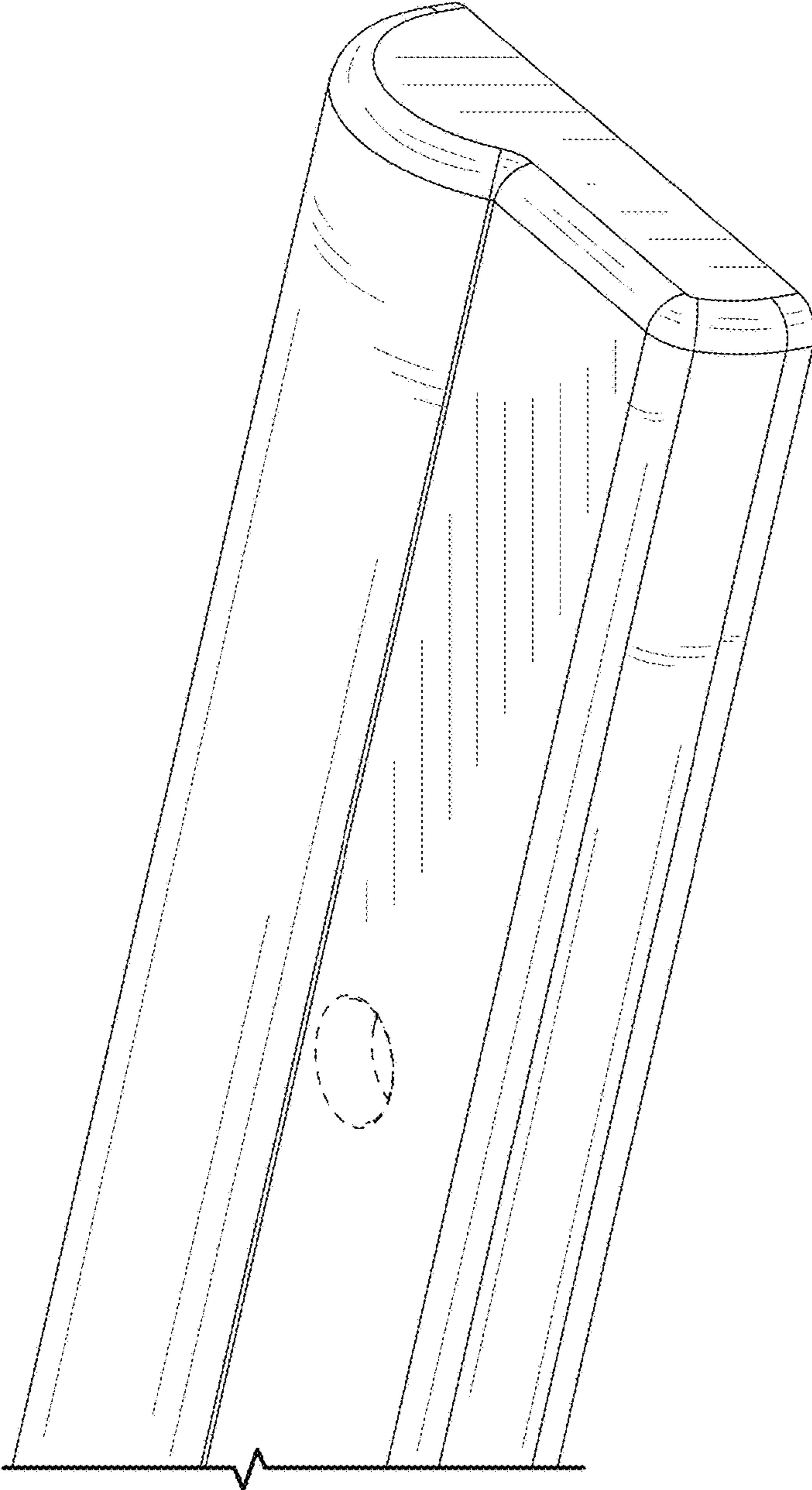


FIG. 7