



US00D850705S

(12) **United States Design Patent**
Pearson et al.

(10) **Patent No.:** **US D850,705 S**
(45) **Date of Patent:** **** Jun. 4, 2019**

(54) **LIGHT FIXTURE MODULE**

(71) Applicant: **TEMPO INDUSTRIES, LLC**, Irvine, CA (US)

(72) Inventors: **Dennis Pearson**, Foothill Ranch, CA (US); **Michael D. Bremser**, Seal Beach, CA (US); **Thomas Leuken**, Beaumont, CA (US); **Shaun Toms**, Fontana, CA (US)

(73) Assignee: **TEMPO INDUSTRIES, LLC**, Irvine, CA (US)

(**) Term: **15 Years**

(21) Appl. No.: **29/609,265**

(22) Filed: **Jun. 29, 2017**

Related U.S. Application Data

(62) Division of application No. 15/335,401, filed on Oct. 26, 2016.

(51) **LOC (11) Cl.** **26-99**

(52) **U.S. Cl.**
USPC **D26/120**

(58) **Field of Classification Search**
USPC D26/1-3, 24, 42, 72, 76, 109, 118, 120, D26/132, 133

CPC H05B 37/02; G01R 31/00; H01K 5/00; H01J 5/00; H01J 15/00; H01J 1/02; H01J 5/16; H01R 13/46; H01R 13/514; H01R 31/02; H01L 31/048; F21V 3/02

See application file for complete search history.

(56) **References Cited**

U.S. PATENT DOCUMENTS

D438,326 S * 2/2001 Kan D26/76
D637,338 S * 5/2011 Kong D26/76

D647,241 S * 10/2011 Takahashi D26/72
D701,989 S * 4/2014 Rodgers D26/76
D707,880 S * 6/2014 Magnusson D26/120
D709,636 S * 7/2014 Murata D26/72
D733,347 S * 6/2015 Dungan D26/76

(Continued)

Primary Examiner — Brian N. Vinson

(74) *Attorney, Agent, or Firm* — Lapple Ubell IP Law, LLP; Franklin D. Ubell

(57) **CLAIM**

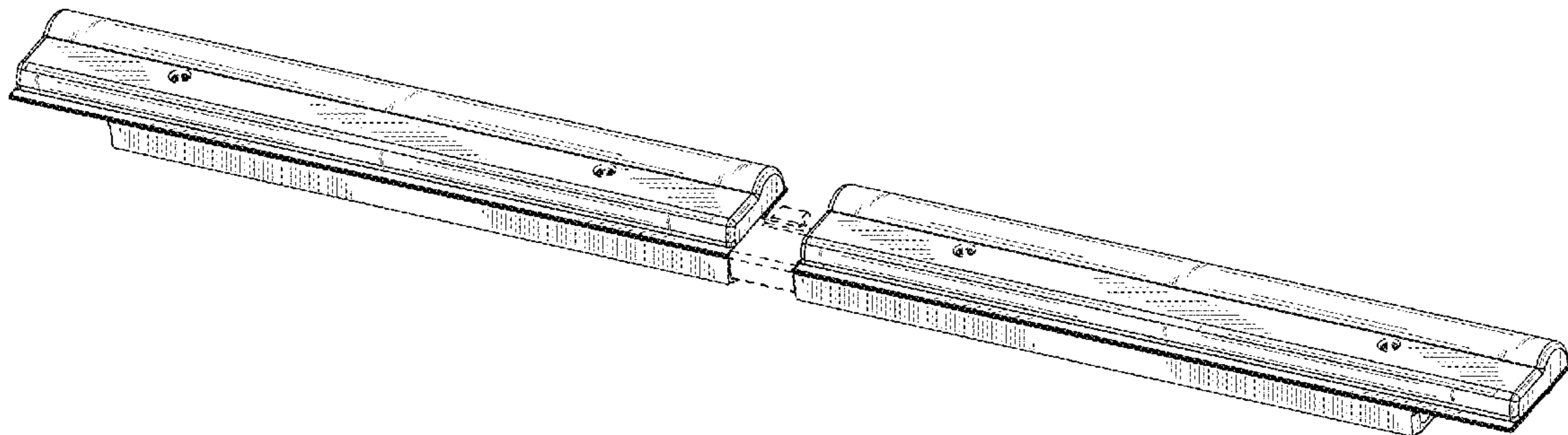
The ornamental design for a light fixture module, as shown and described.

DESCRIPTION

FIG. 1 is a front perspective view of the light fixture module; FIG. 2 is a top view thereof; FIG. 3 is bottom view thereof; FIG. 4 is a first end view thereof; FIG. 5 is a second end view thereof; FIG. 6 is a front view thereof. FIG. 7 is an enlarged top view of a first half of the light fixture module; FIG. 8 is an enlarged bottom view of the the first half of the module; FIG. 9 is an enlarged top view of a second half of the light fixture module; FIG. 10 is an enlarged bottom view of the second half of the module; FIG. 11 is an enlarged view of the first end of the module; FIG. 12 is an enlarged front view of the first half of the module; FIG. 13 is an enlarged view of the second end of the module; and, FIG. 14 is an enlarged front view of the second half of the module.

The broken lines shown in the drawings are for illustrative purposes only and form no part of the claimed design.

1 Claim, 7 Drawing Sheets



(56)

References Cited

U.S. PATENT DOCUMENTS

D737,500 S * 8/2015 Santoro D26/120
D745,196 S * 12/2015 Walterscheid D26/72
D776,862 S * 1/2017 Plourde H05B 33/0803
D26/118
9,841,153 B2 * 12/2017 Pearson F21V 29/508

* cited by examiner

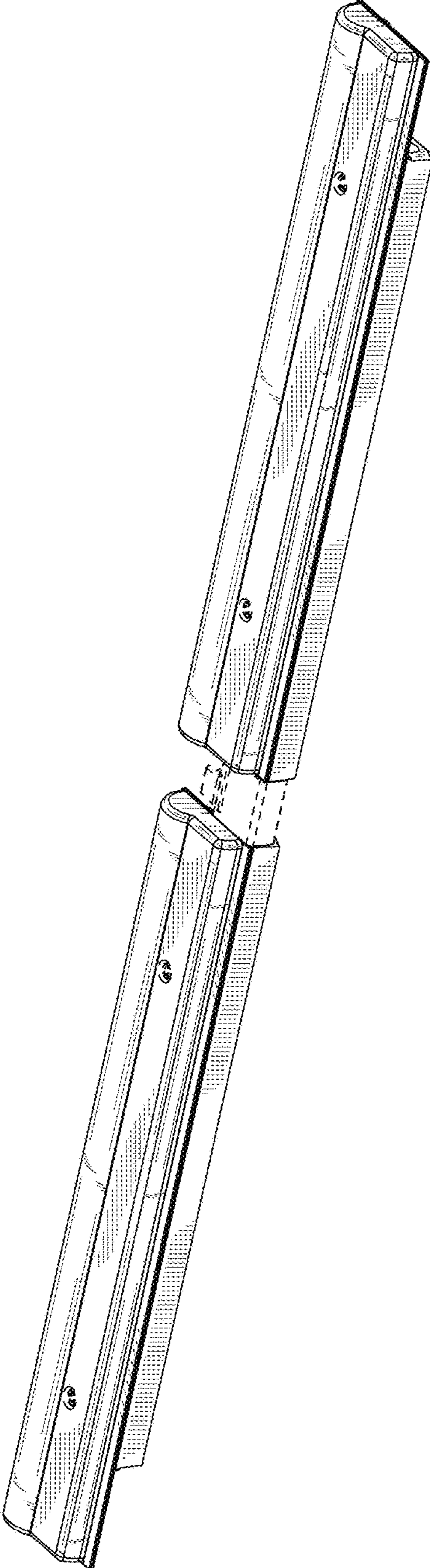


FIG. 1



FIG. 2



FIG. 3

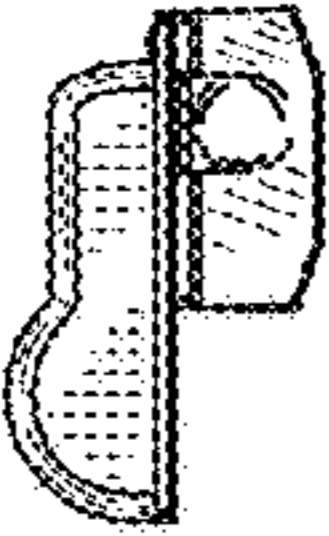
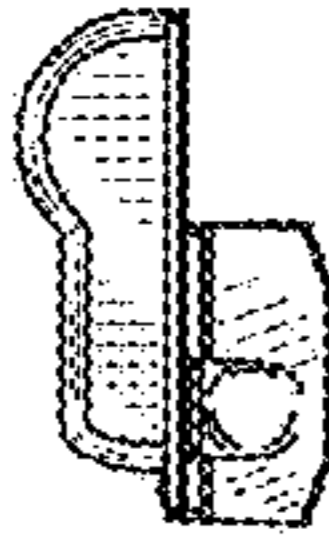


FIG. 4

FIG. 5

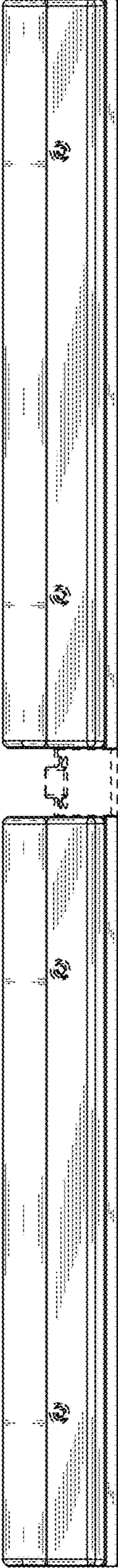


FIG. 6

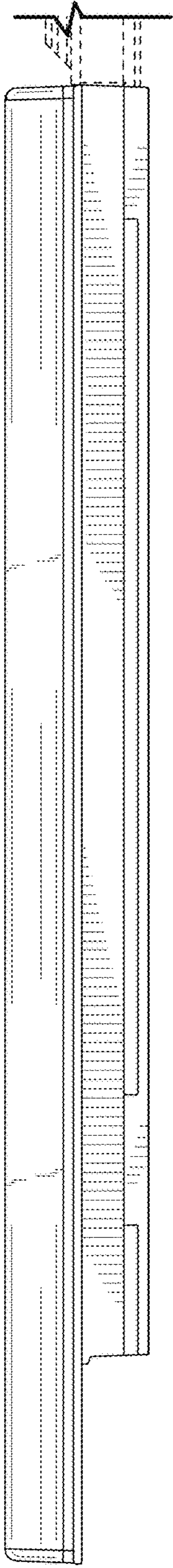


FIG. 7

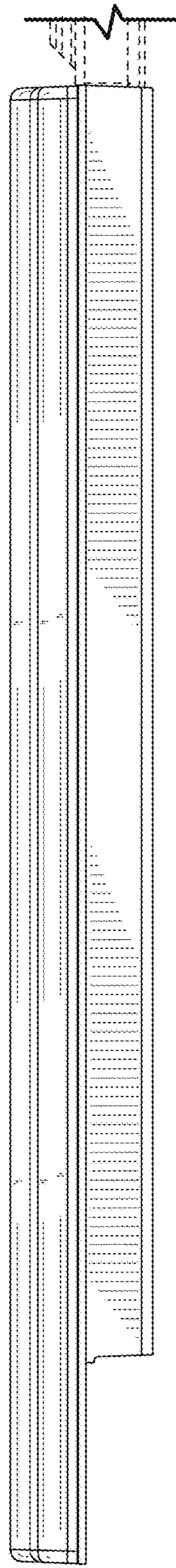


FIG. 8

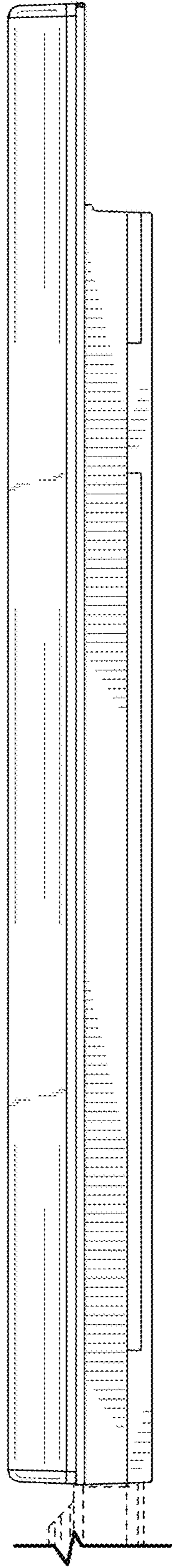


FIG. 9

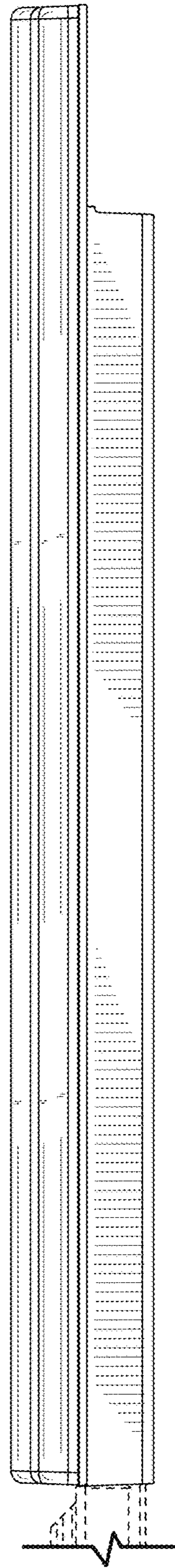


FIG. 10

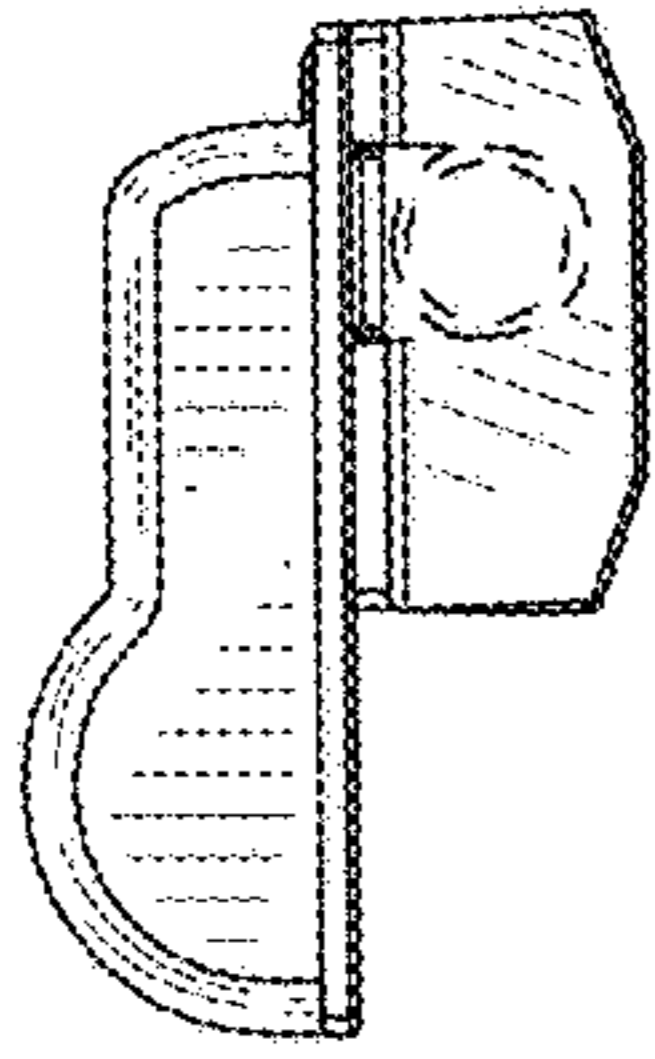


FIG. 11

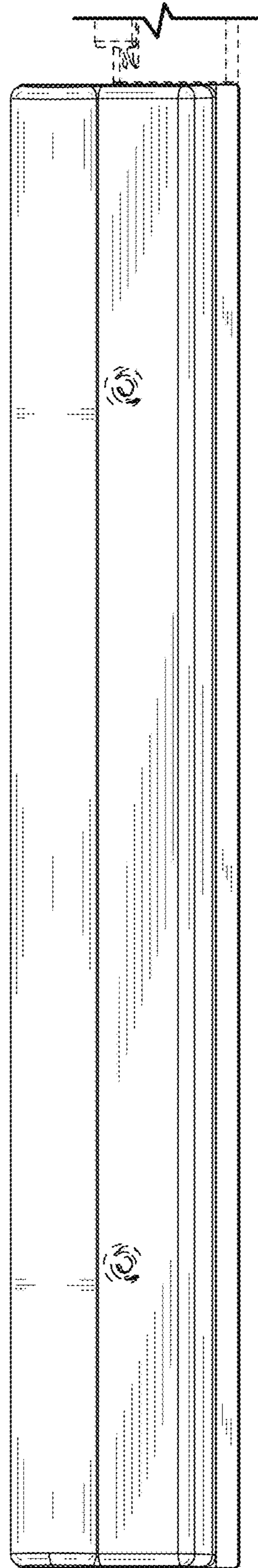


FIG. 12

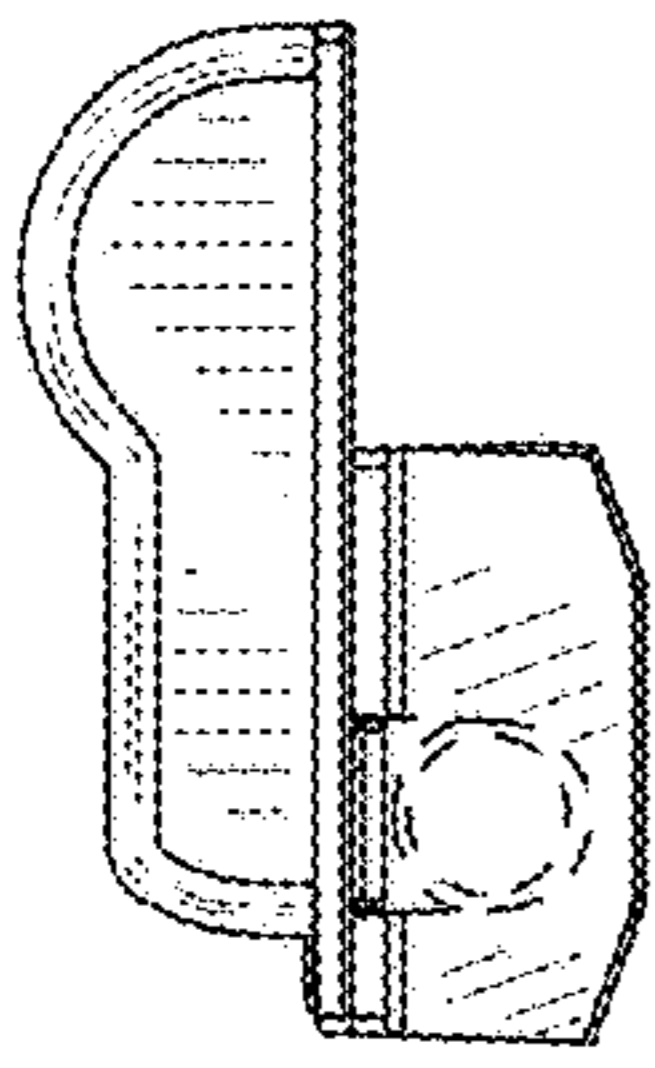


FIG. 13

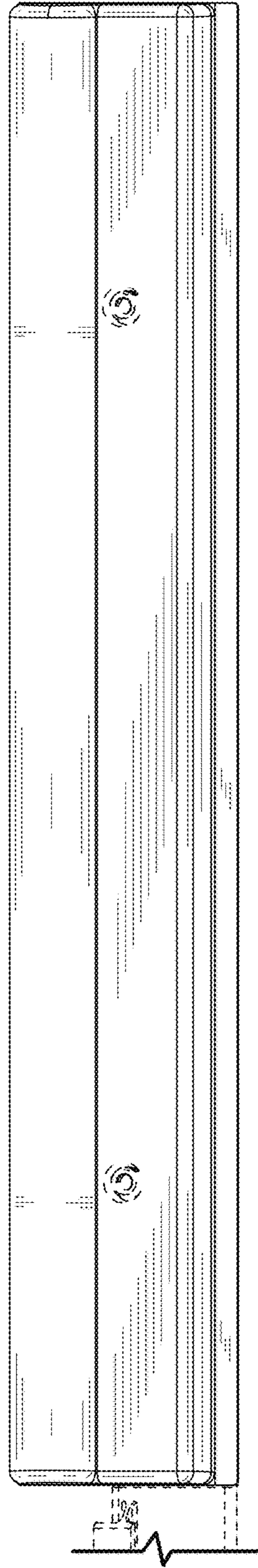


FIG. 14