



US00D850704S

(12) **United States Design Patent** (10) **Patent No.:** **US D850,704 S**
Lyu (45) **Date of Patent:** **** Jun. 4, 2019**

(54) **RING-SHAPED LIGHT SOURCE**
(71) Applicant: **JianFei Lyu**, NingBo (CN)
(72) Inventor: **JianFei Lyu**, NingBo (CN)
(**) Term: **15 Years**
(21) Appl. No.: **29/621,421**
(22) Filed: **Oct. 8, 2017**
(51) **LOC (11) Cl.** **26-99**
(52) **U.S. Cl.**
USPC **D26/113**
(58) **Field of Classification Search**
USPC D26/40, 72, 89, 92, 118, 128-137, 152
CPC .. F21S 6/00; F21S 6/002; F21V 21/00; F21V
21/02; F21V 23/04; F21W 2121/00;
F21W 2131/20; F21W 2131/30; F41C
27/00
See application file for complete search history.

(56) **References Cited**
U.S. PATENT DOCUMENTS
D553,774 S * 10/2007 Leung D26/40
D706,972 S * 6/2014 Howard D26/113
D725,300 S * 3/2015 Dalton D26/40

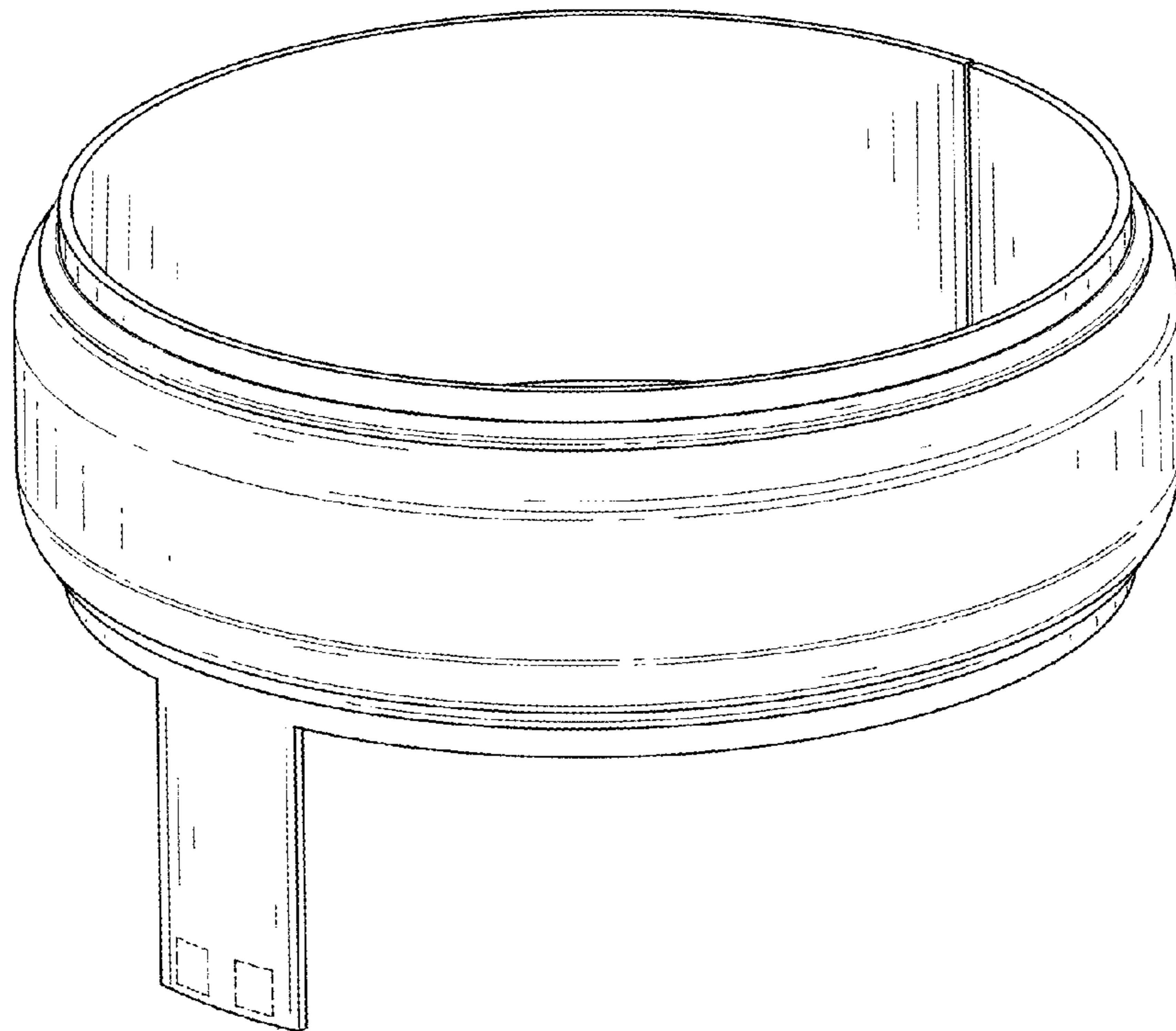
D737,497 S * 8/2015 Burgess D26/113
D751,238 S * 3/2016 Siuvatti D26/113
D754,379 S * 4/2016 Green D26/113

* cited by examiner
Primary Examiner — Zenia I Bennett

(57) **CLAIM**
The ornamental design for a ring-shaped light source, as shown and described.

DESCRIPTION
FIG. 1 is a perspective view of an embodiment of a ring-shaped light source showing my new design; FIG. 2 is another perspective view thereof; FIG. 3 is a front elevational view thereof; FIG. 4 is a rear elevational view thereof; FIG. 5 is a left side elevational view thereof; FIG. 6 is a right side elevational view thereof; FIG. 7 is a top plan view thereof; and FIG. 8 is a bottom plan view thereof; and, FIG. 9 is a perspective view of the ring-shaped light source shown in use as a light source of a lamp. The broken lines are for the purposes of illustration portions of the ring-shaped light source and form no part of the claimed design.

1 Claim, 9 Drawing Sheets



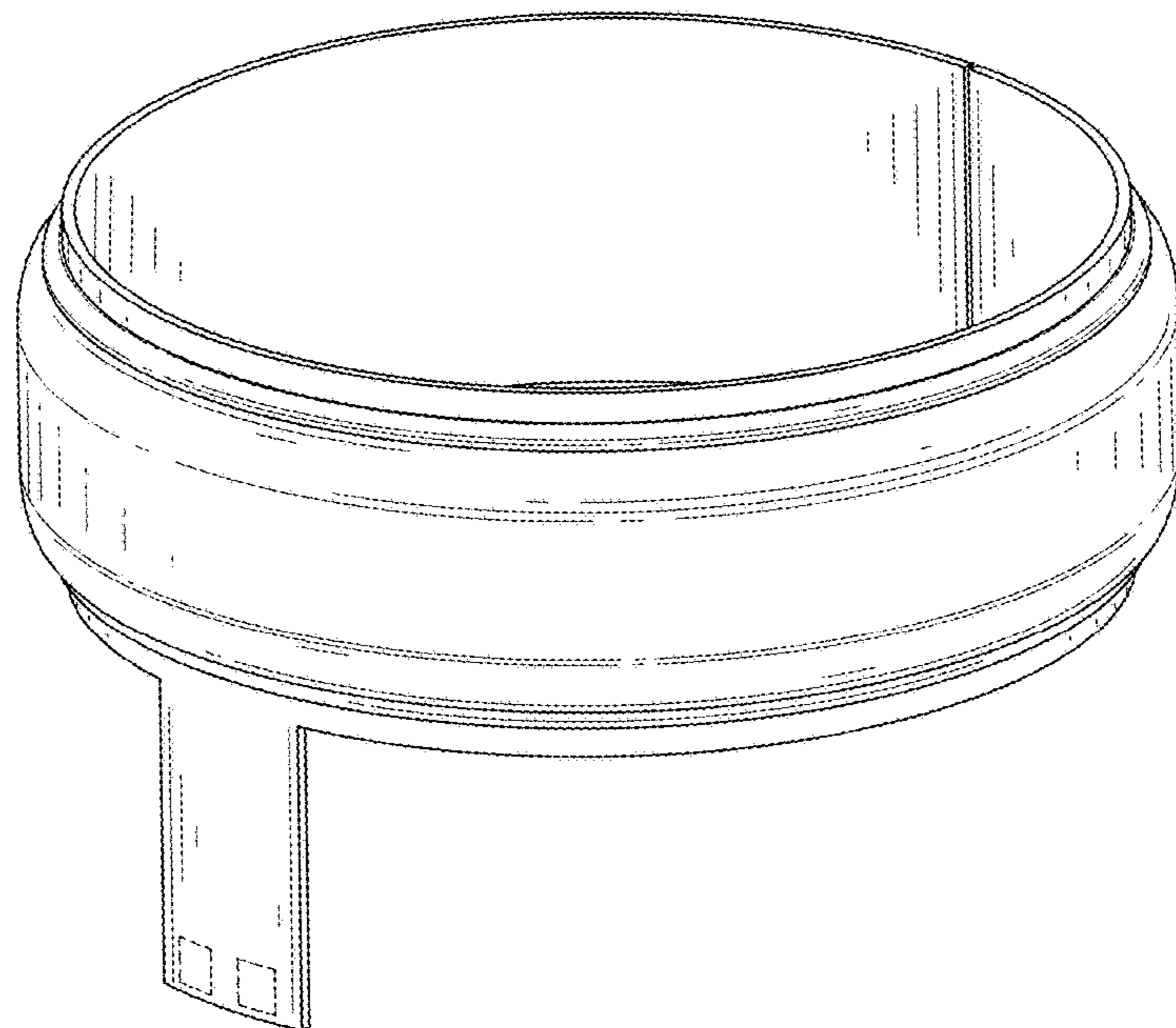


FIG. 1

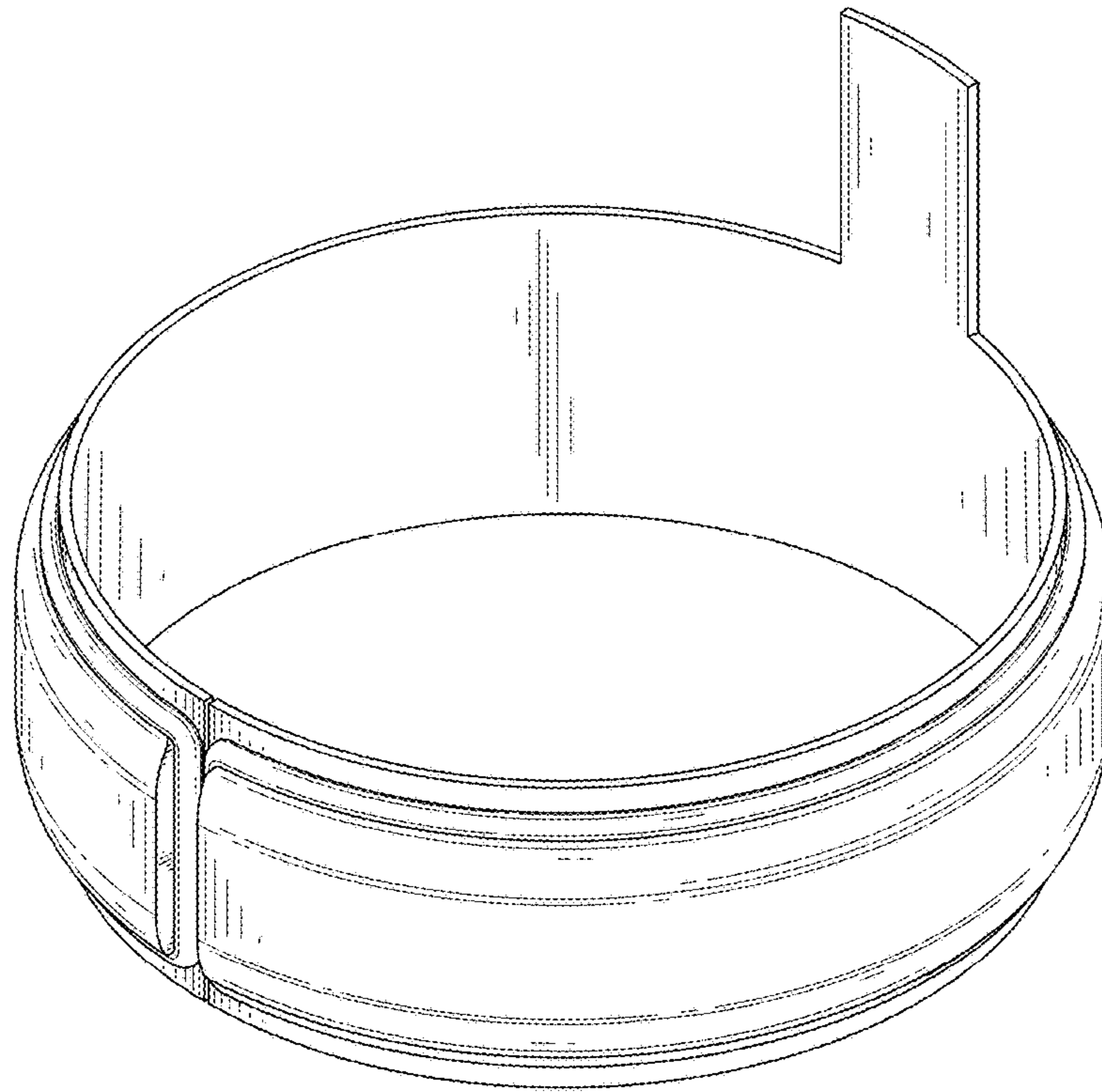


FIG. 2

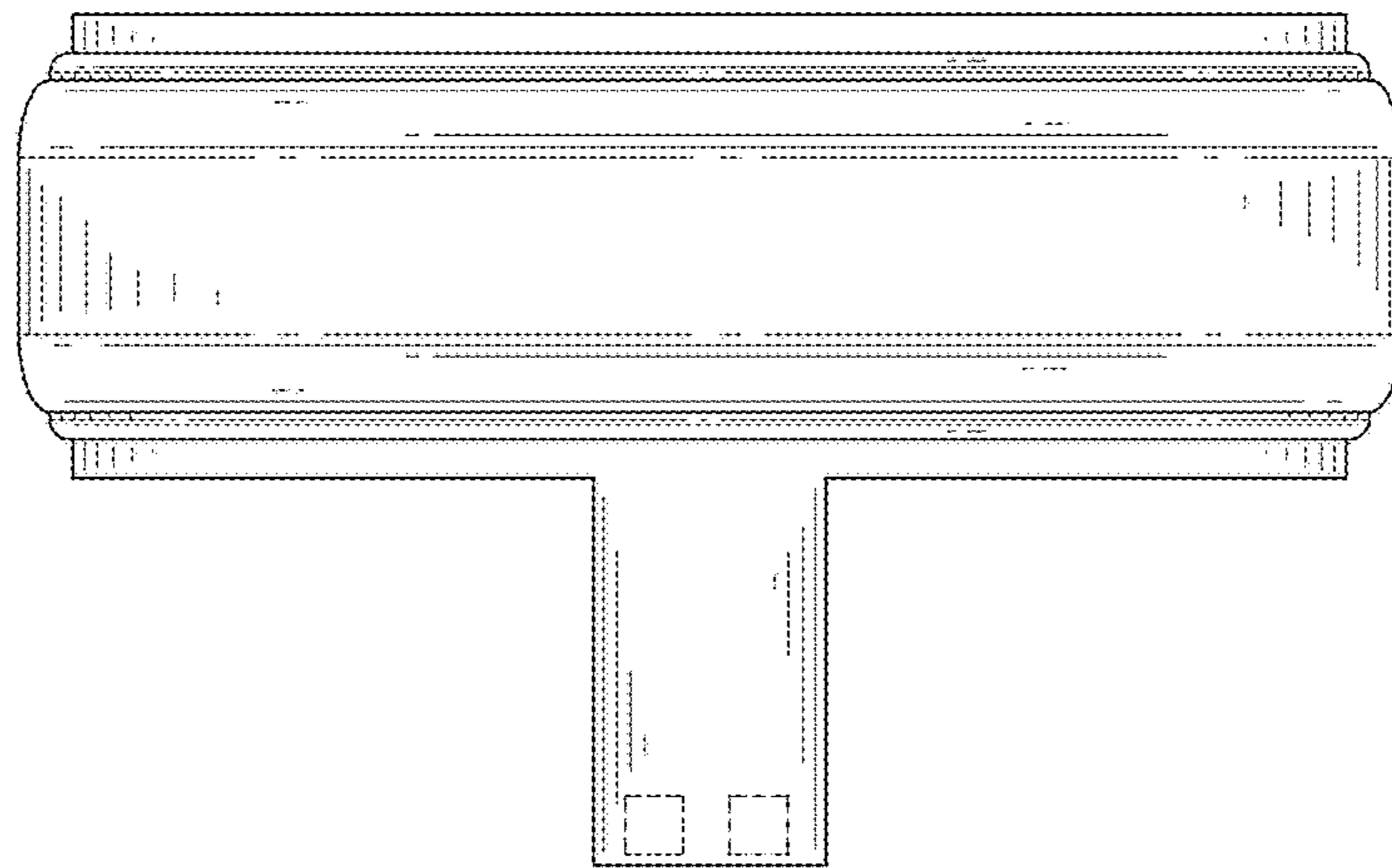


FIG. 3

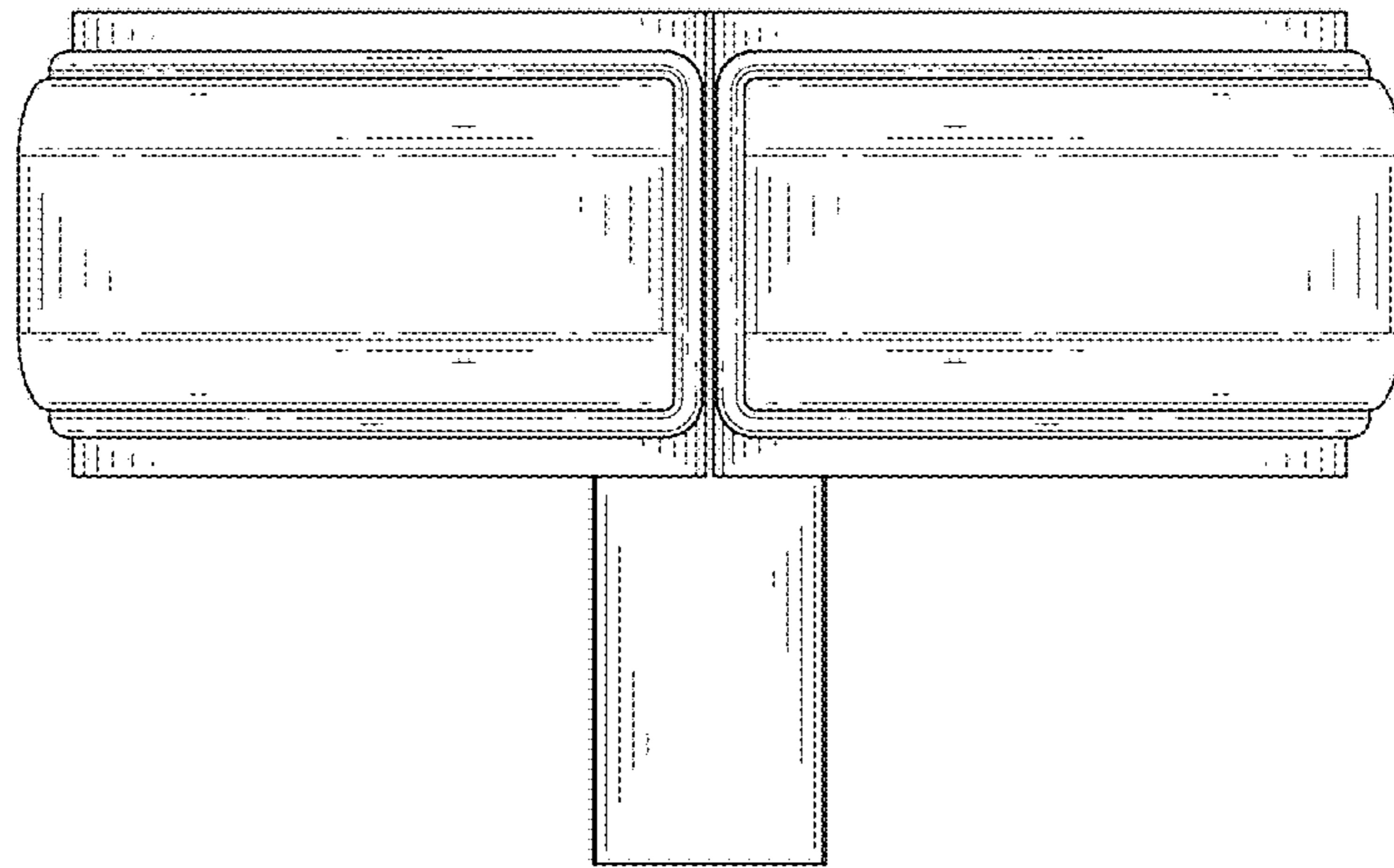


FIG. 4

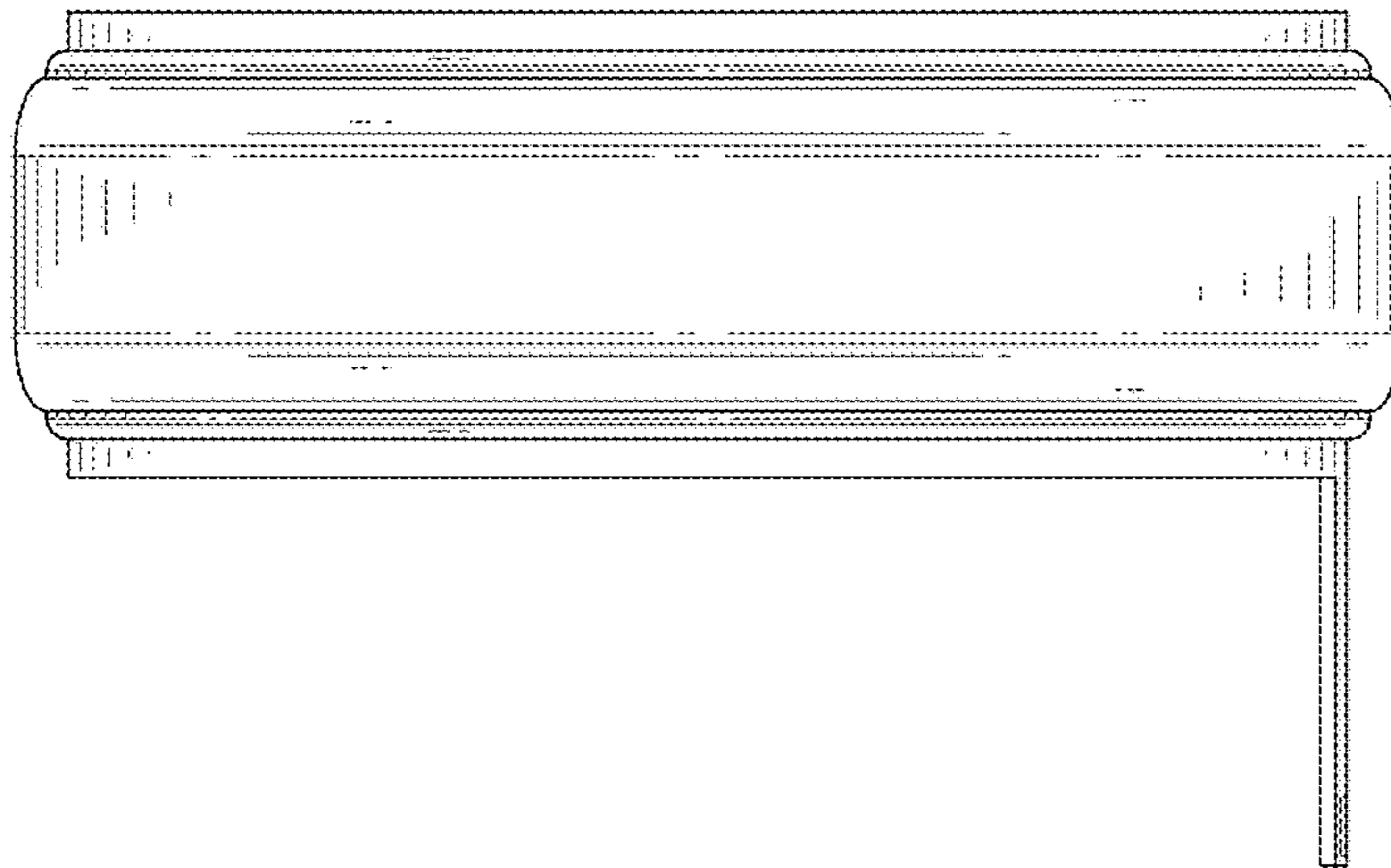


FIG. 5

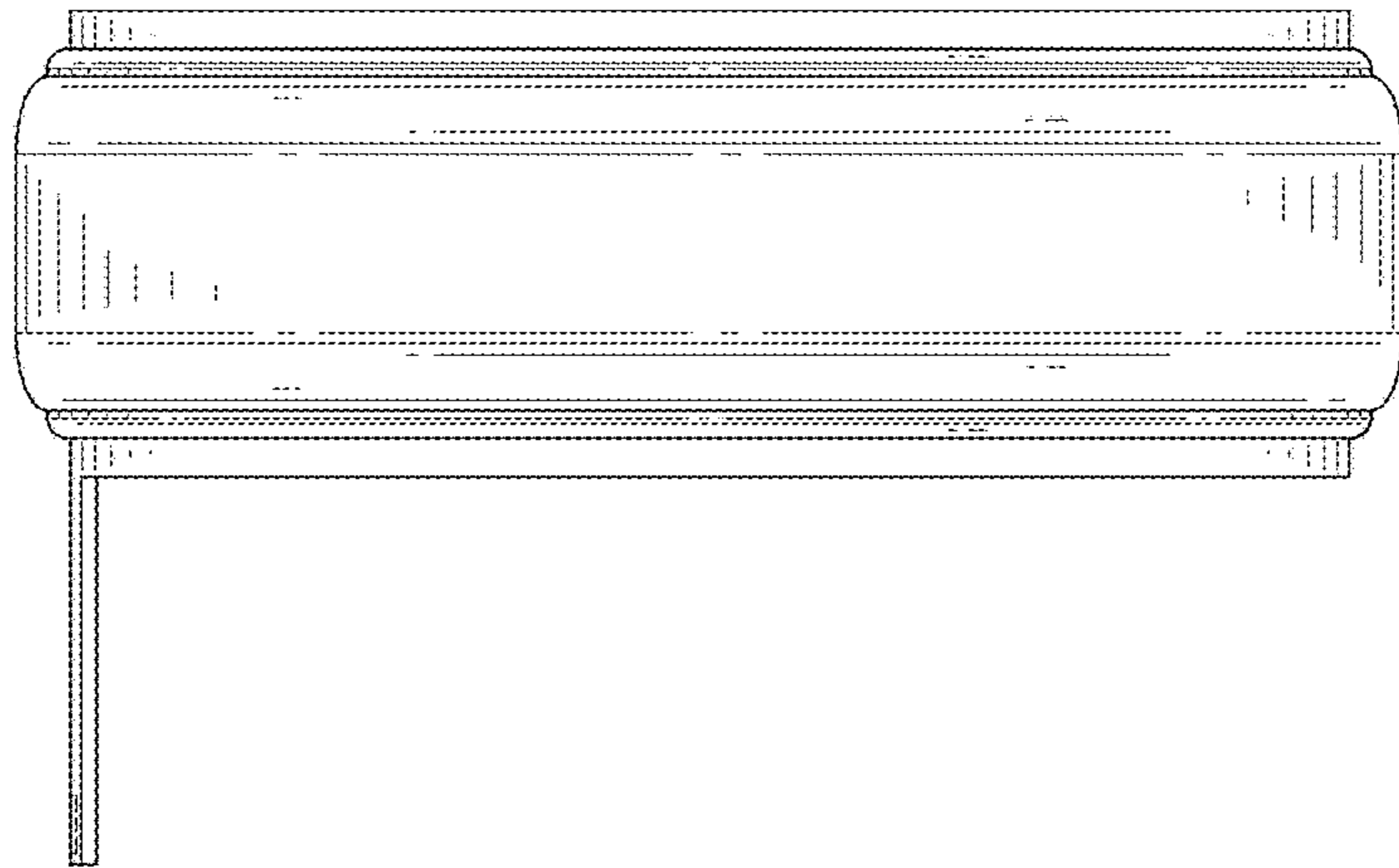


FIG. 6

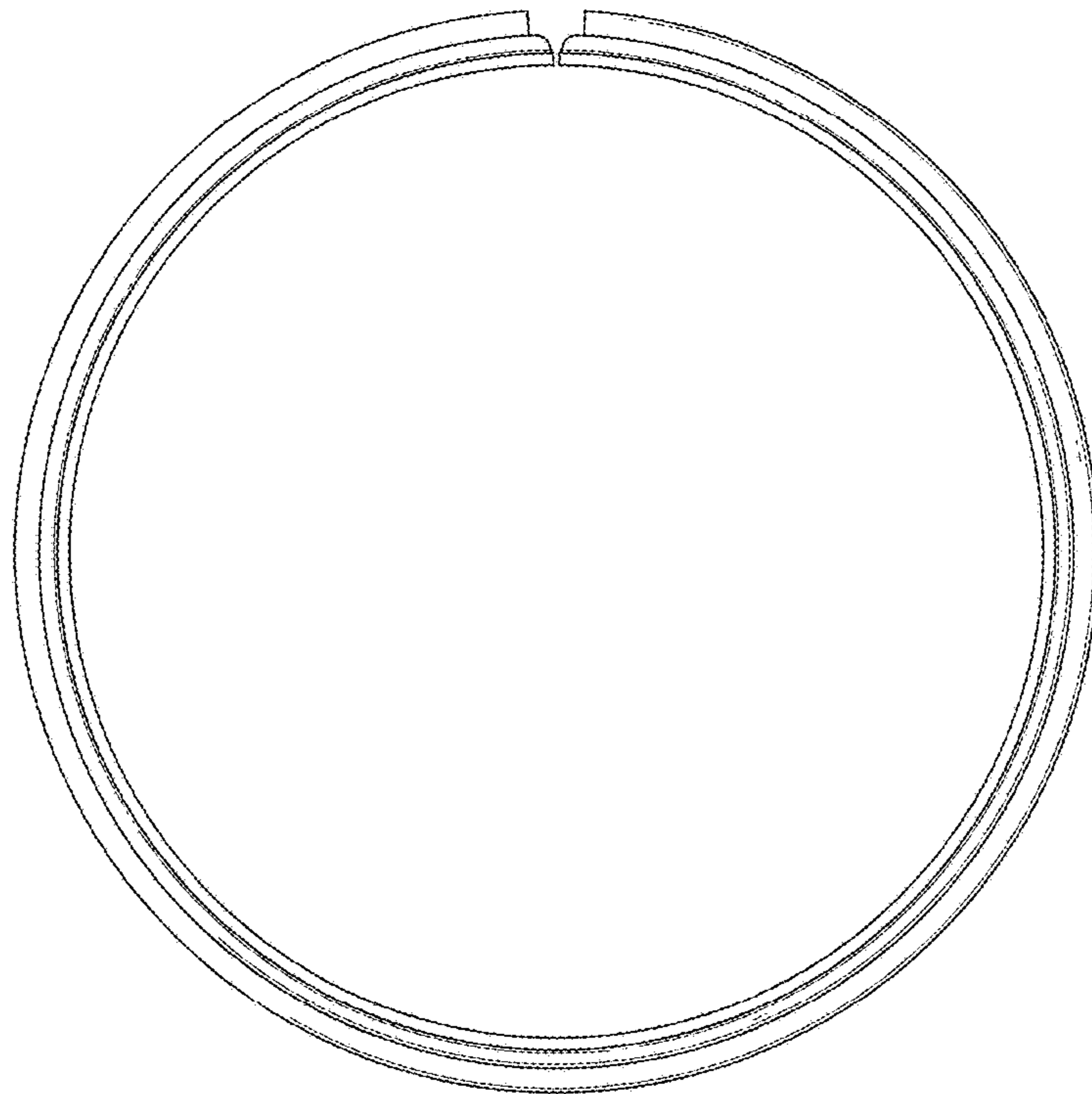


FIG. 7

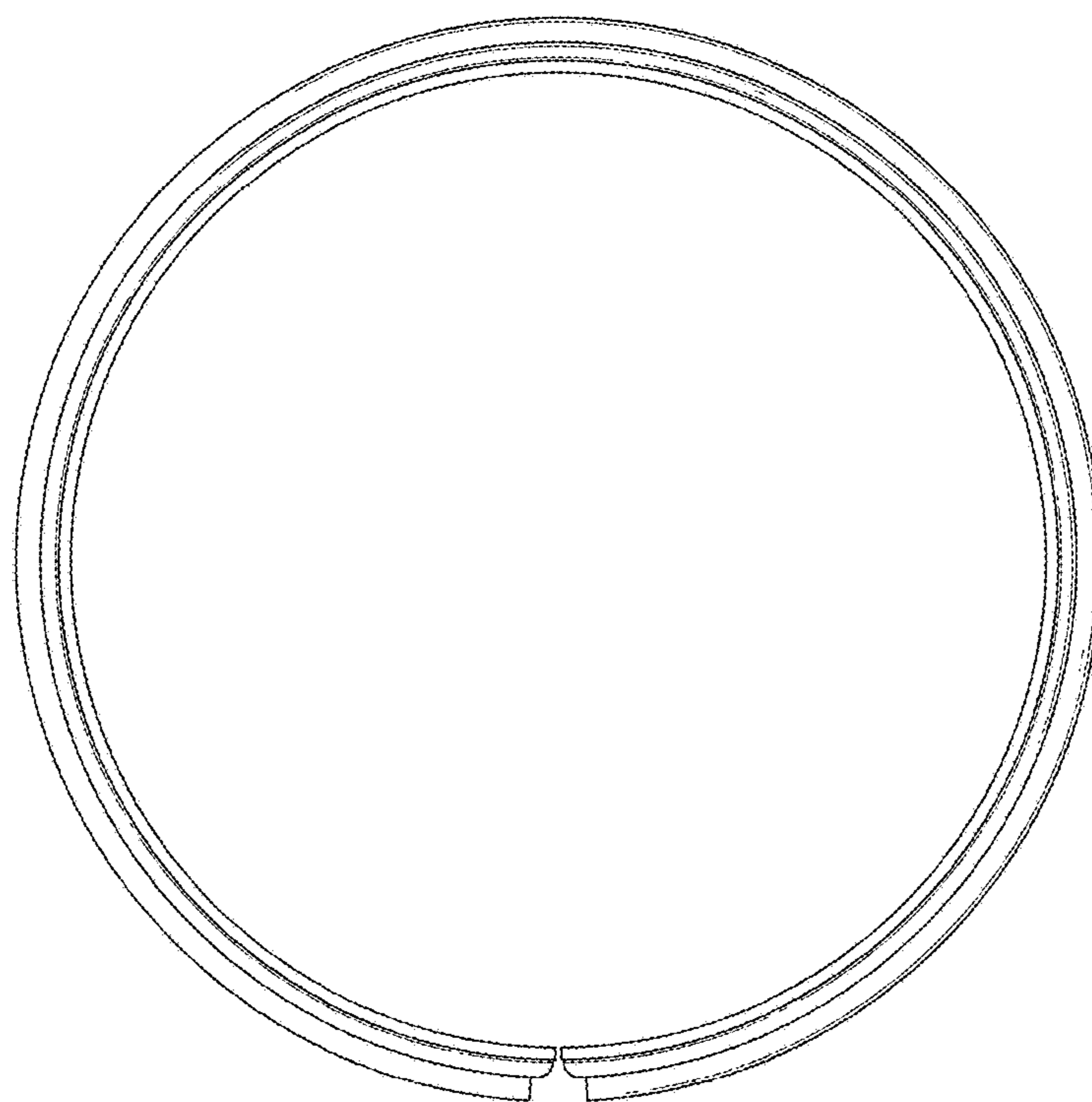


FIG. 8

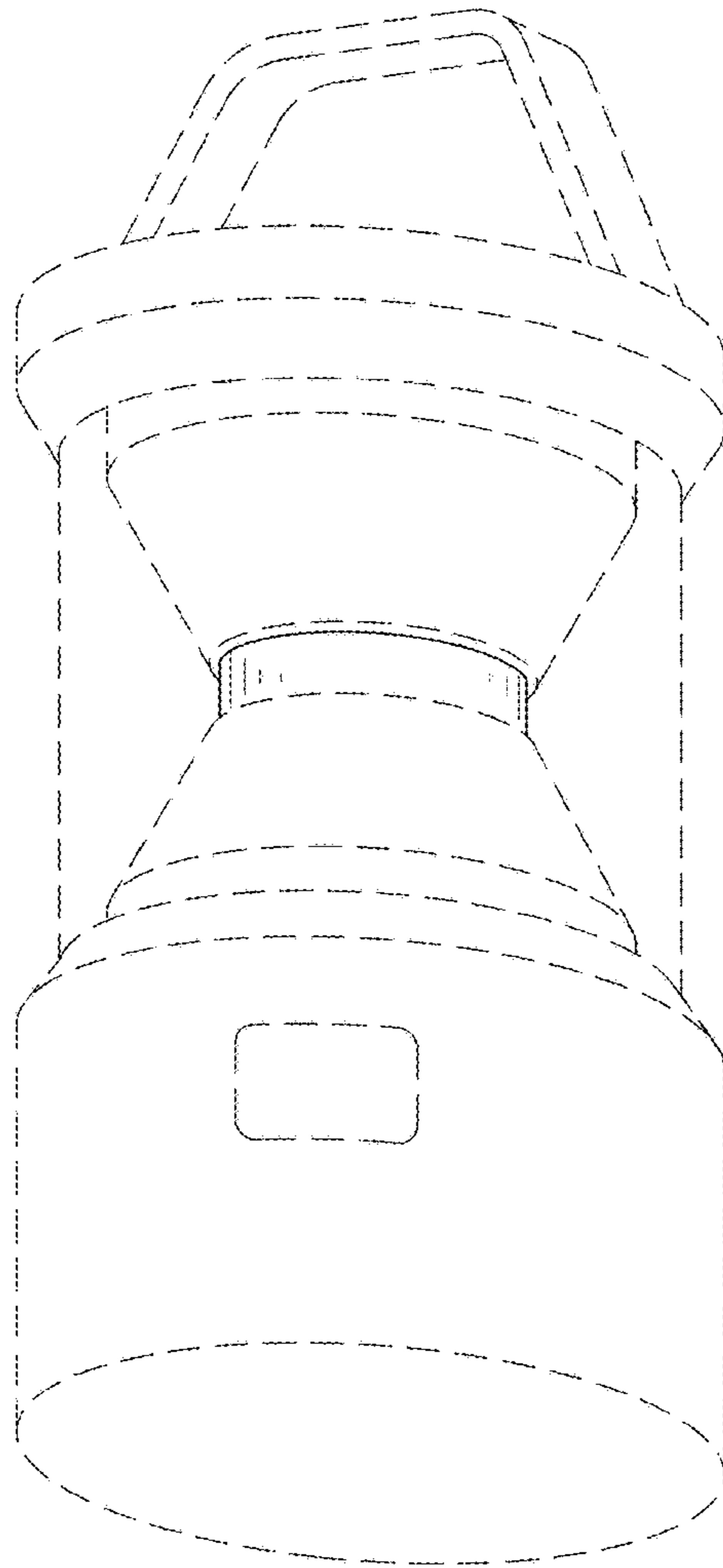


FIG. 9