



US00D850703S

(12) **United States Design Patent**
Lin

(10) **Patent No.:** **US D850,703 S**
(45) **Date of Patent:** **** Jun. 4, 2019**

(54) **SALT LAMP**

(71) Applicant: **Yongcai Lin**, Jieyang (CN)

(72) Inventor: **Yongcai Lin**, Jieyang (CN)

(**) Term: **15 Years**

(21) Appl. No.: **29/628,863**

(22) Filed: **Dec. 8, 2017**

(30) **Foreign Application Priority Data**

Sep. 11, 2017 (CN) 2017 3 0427333

(51) **LOC (11) Cl.** **26-03**

(52) **U.S. Cl.**
USPC **D26/110**

(58) **Field of Classification Search**
USPC D26/24, 67, 72, 85, 93, 104, 110, 112,
D26/113, 118, 121, 129; D11/131, 141;
D23/355, 364, 366, 360
CPC F21V 21/02; F21W 2131/10; F21W
2131/30; A63F 7/02; A63H 33/40; H01J
5/02
See application file for complete search history.

(56) **References Cited**

U.S. PATENT DOCUMENTS

D214,186 S * 5/1969 Meltzer D26/118
D484,583 S * 12/2003 Hunt D23/360

D517,724 S * 3/2006 Morrow D26/110
D524,980 S * 7/2006 Robinson D26/112
D544,637 S * 6/2007 McMinn D26/118
D800,954 S * 10/2017 Hsu D26/112
D818,631 S * 5/2018 Zhang D26/110

* cited by examiner

Primary Examiner — Brian N. Vinson
(74) *Attorney, Agent, or Firm* — Novoclaims Patent
Services LLC; Mei Lin Wong

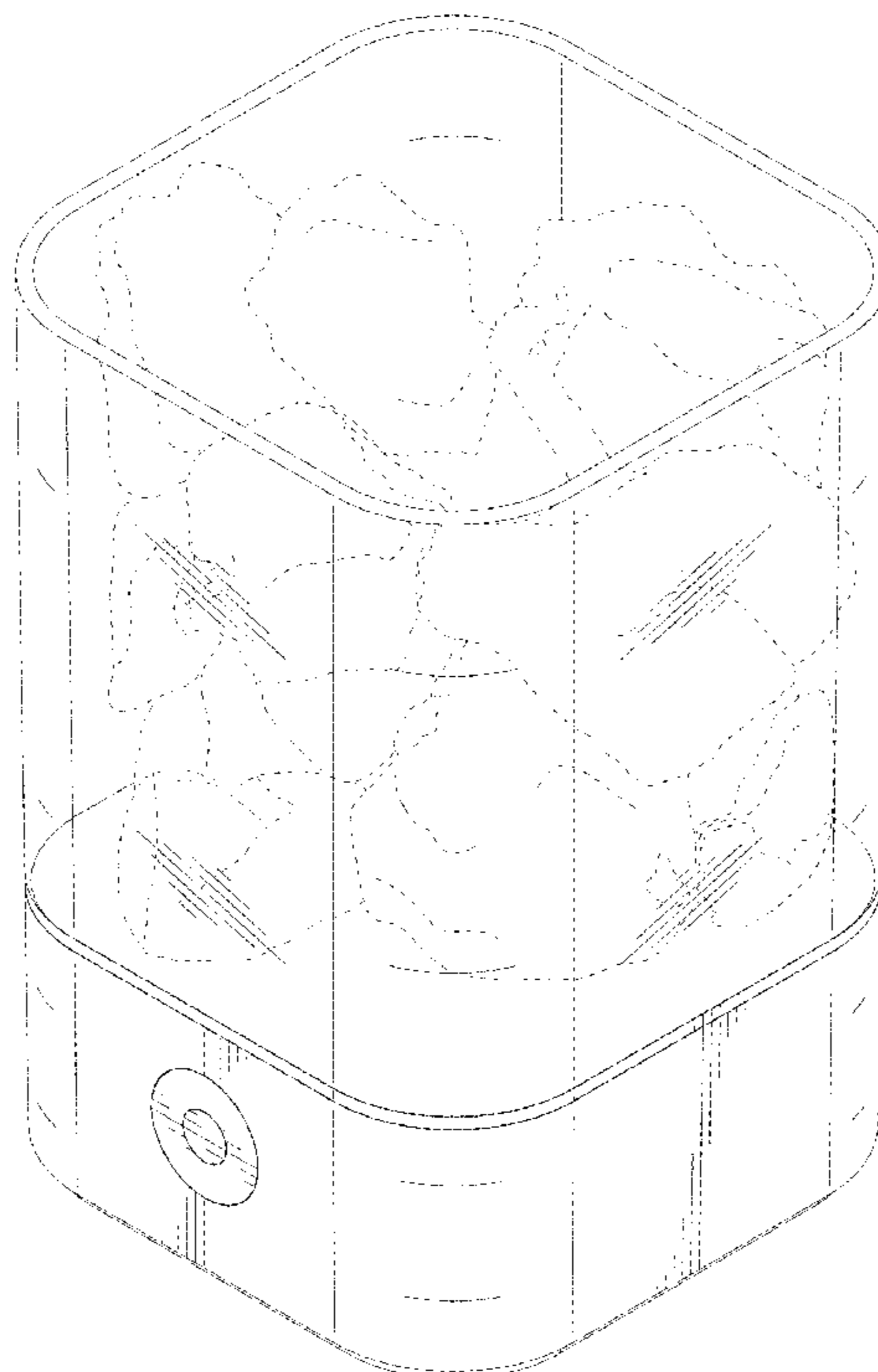
(57) **CLAIM**

The ornamental design for a salt lamp, as shown and described.

DESCRIPTION

FIG. 1 is a perspective view of a salt lamp, showing my new design;
FIG. 2 is a front view thereof;
FIG. 3 is a rear view thereof;
FIG. 4 is a left side view thereof;
FIG. 5 is a right side view thereof;
FIG. 6 is a top view thereof;
FIG. 7 is a bottom view thereof; and,
FIG. 8 is a perspective view thereof, showing the salt lamp in use.
The broken lines in the drawings represent unclaimed environmental subject matter that forms no part of the claimed design.

1 Claim, 8 Drawing Sheets



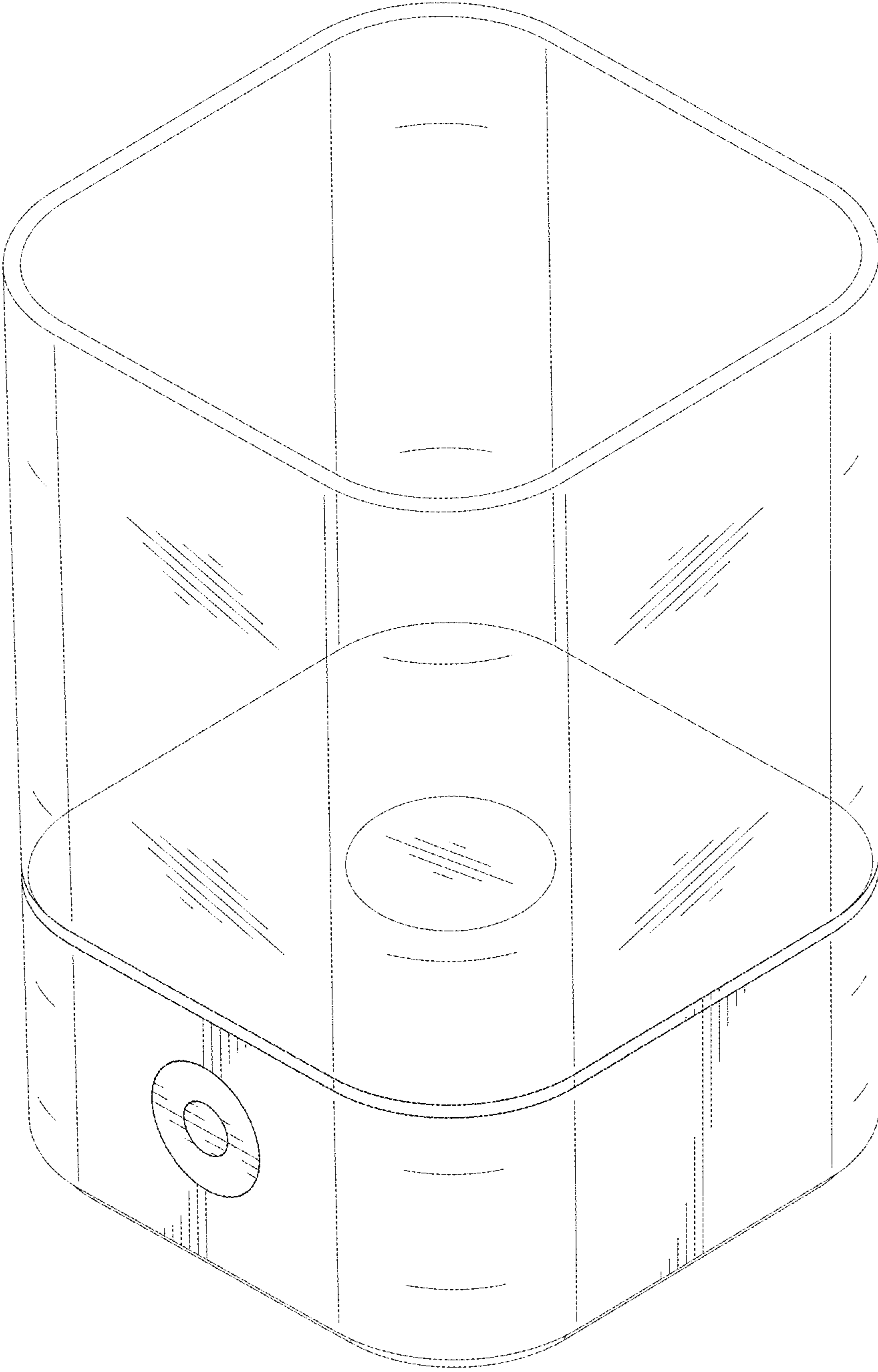


FIG.1

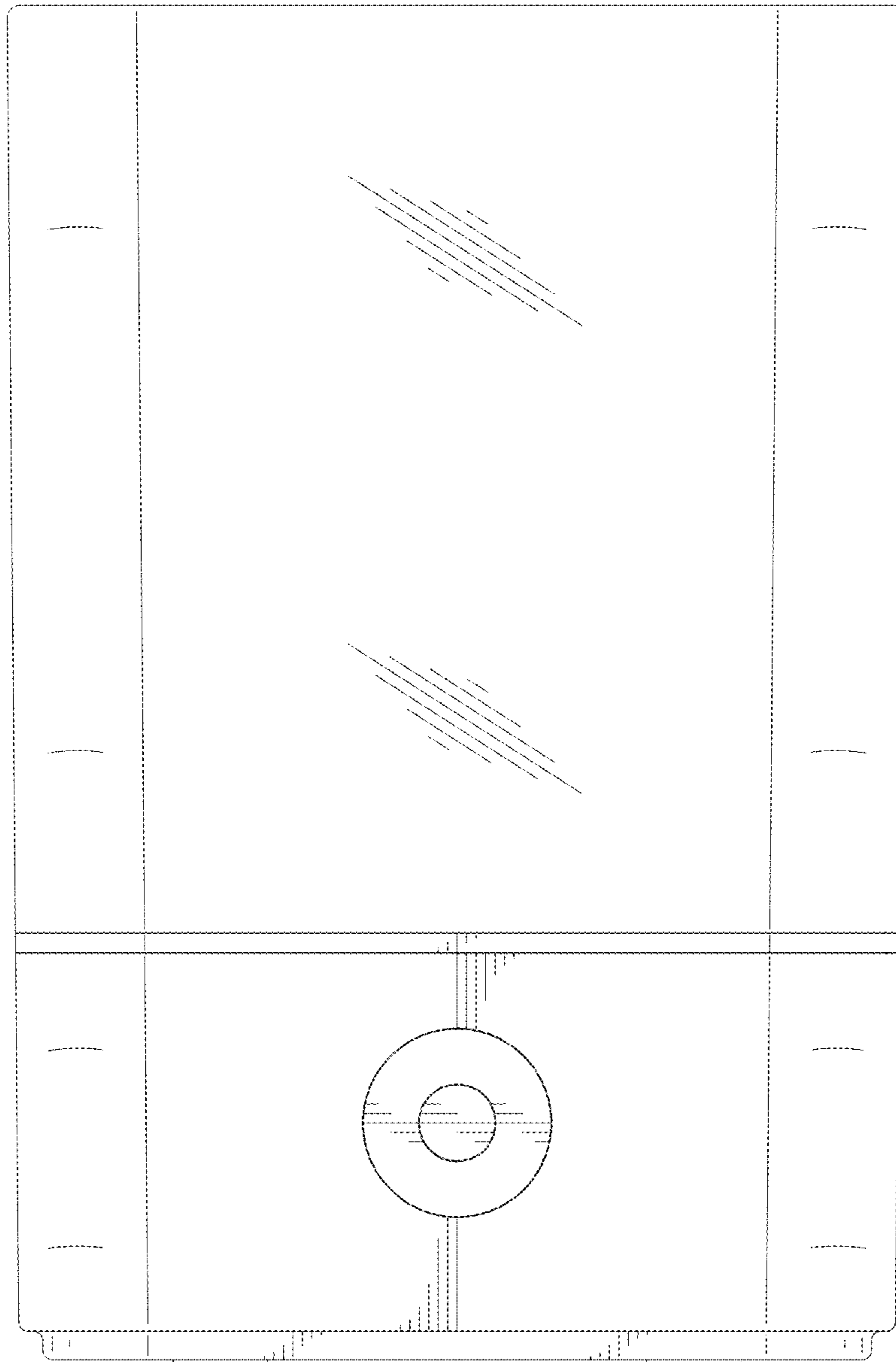


FIG.2

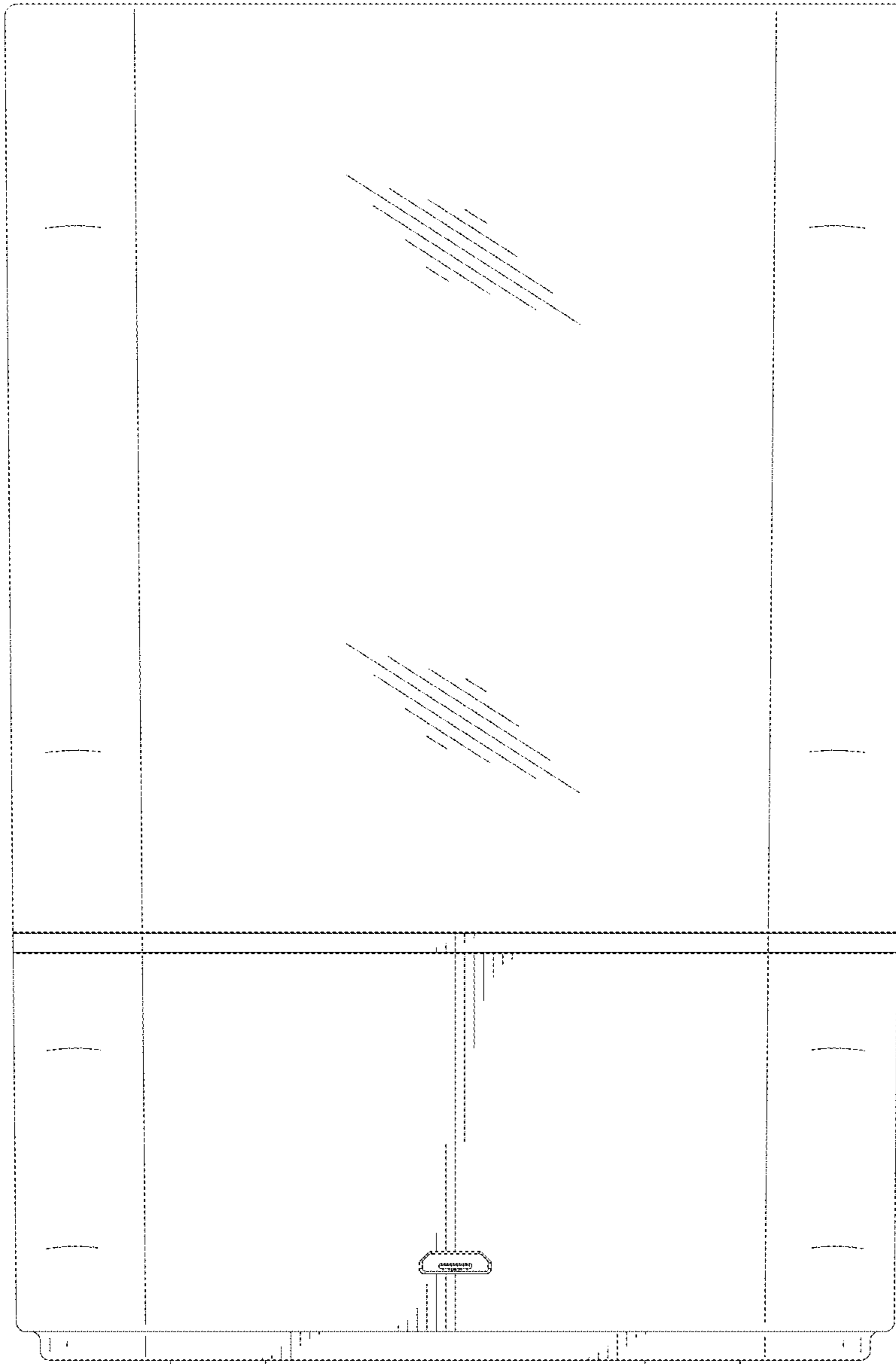


FIG.3

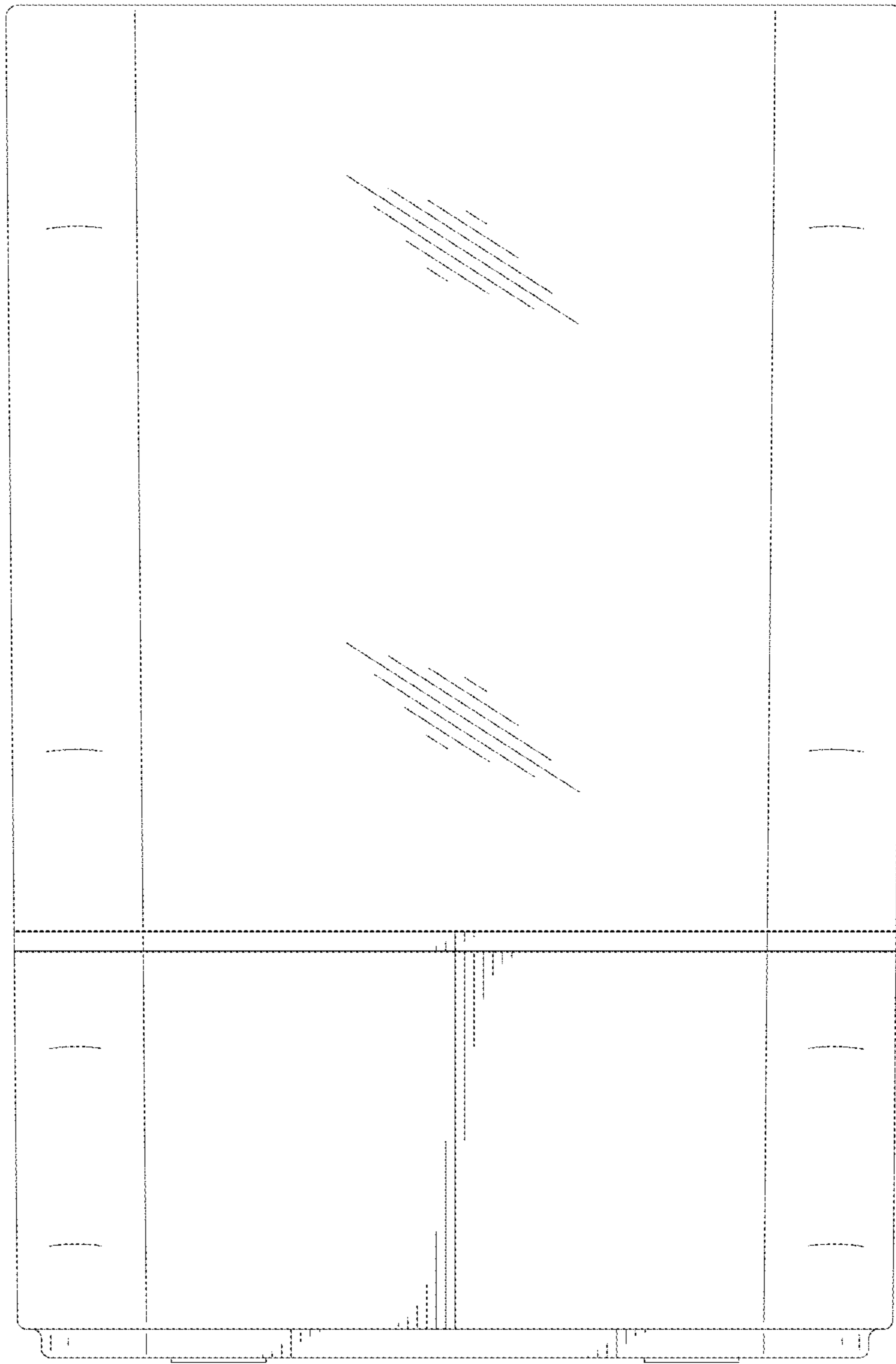


FIG.4

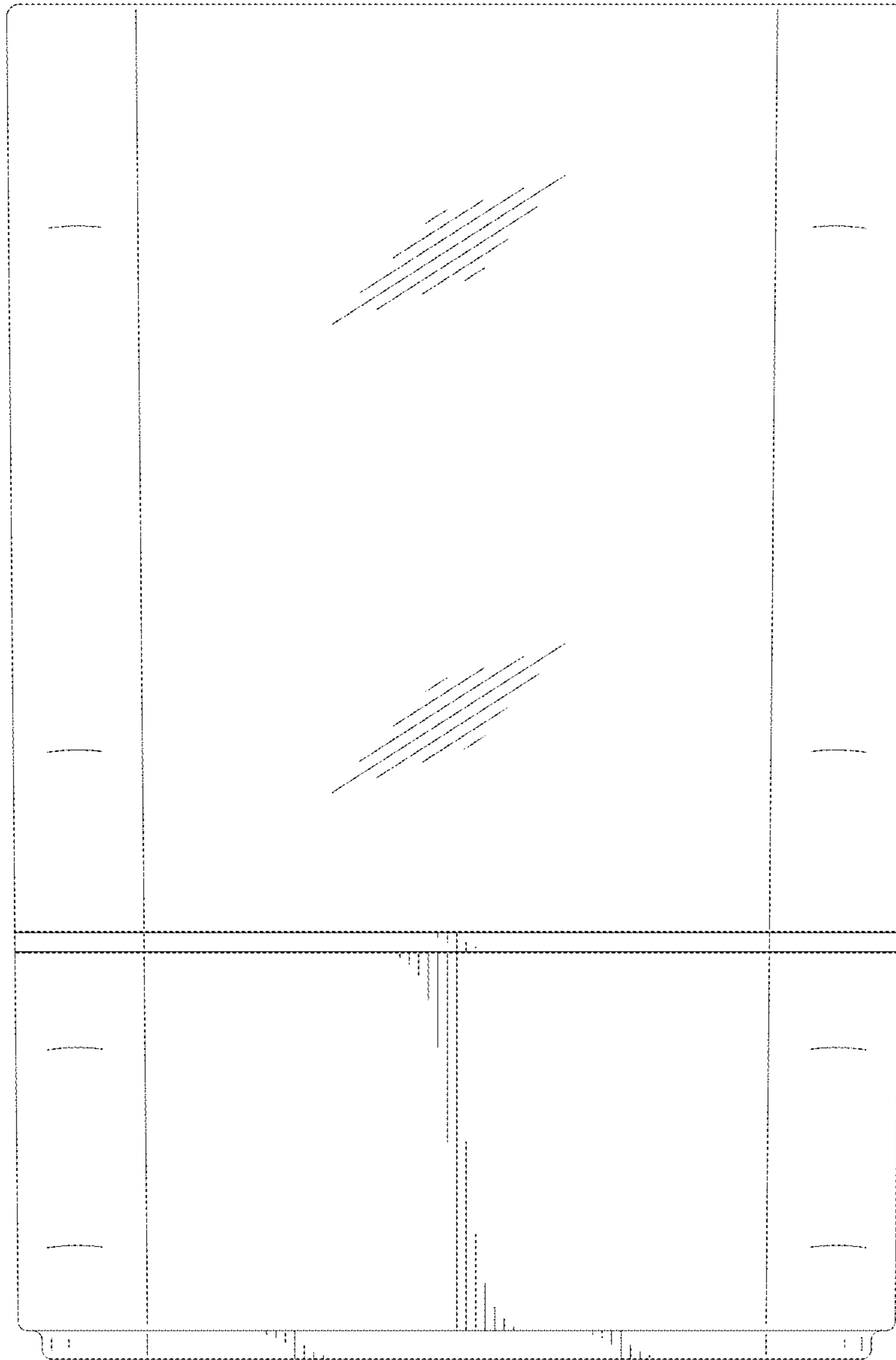


FIG.5

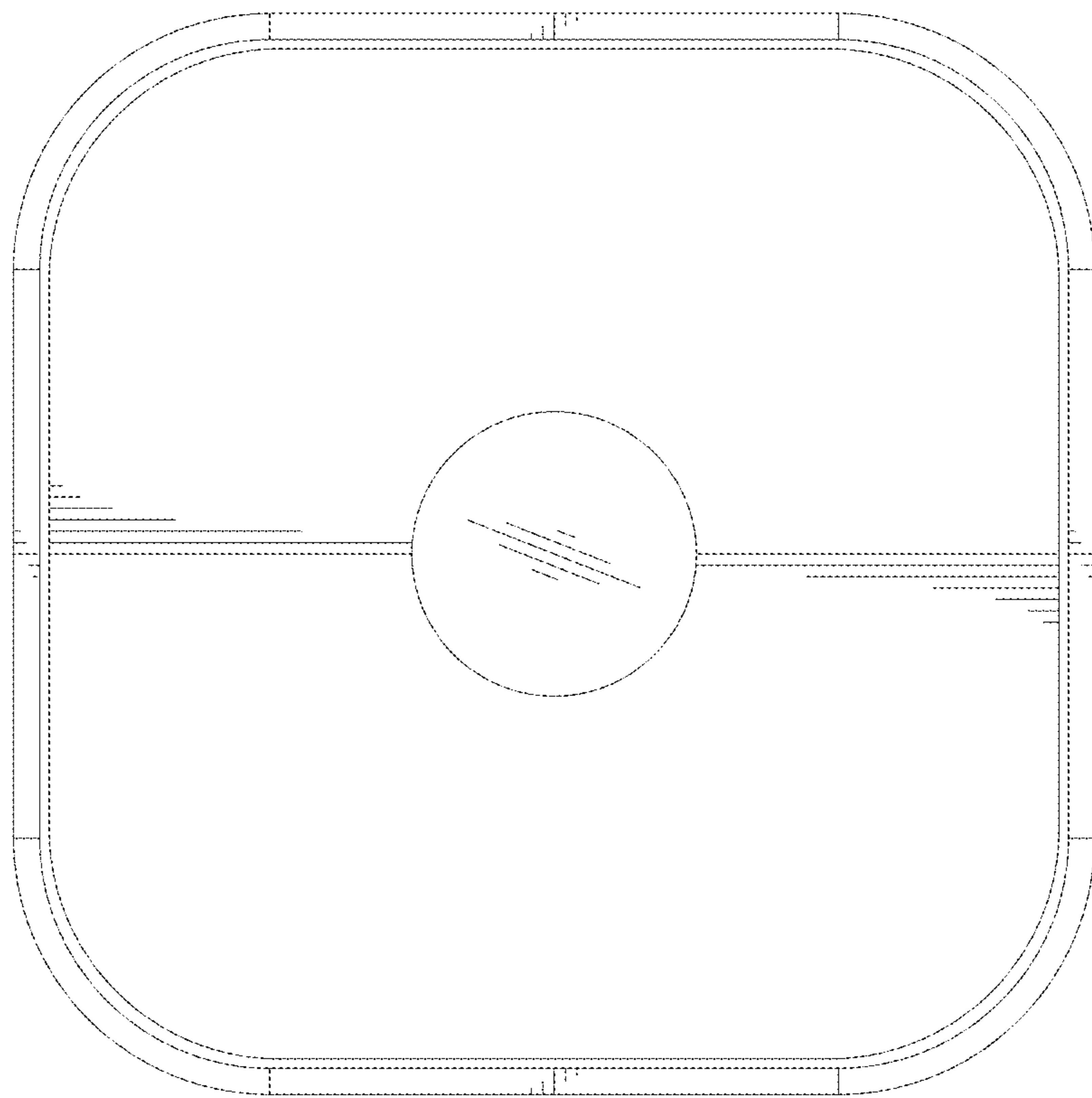


FIG.6

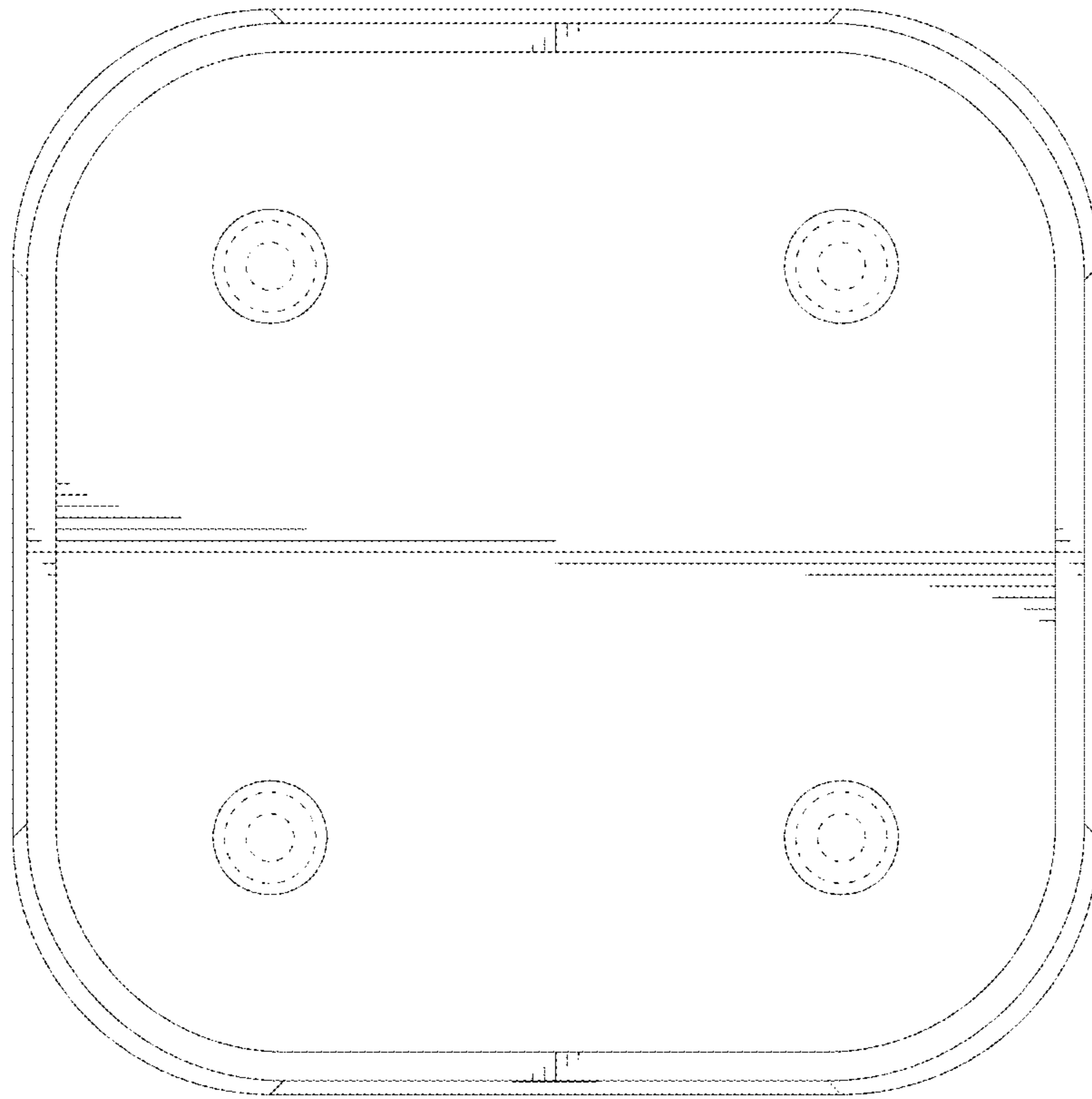


FIG.7

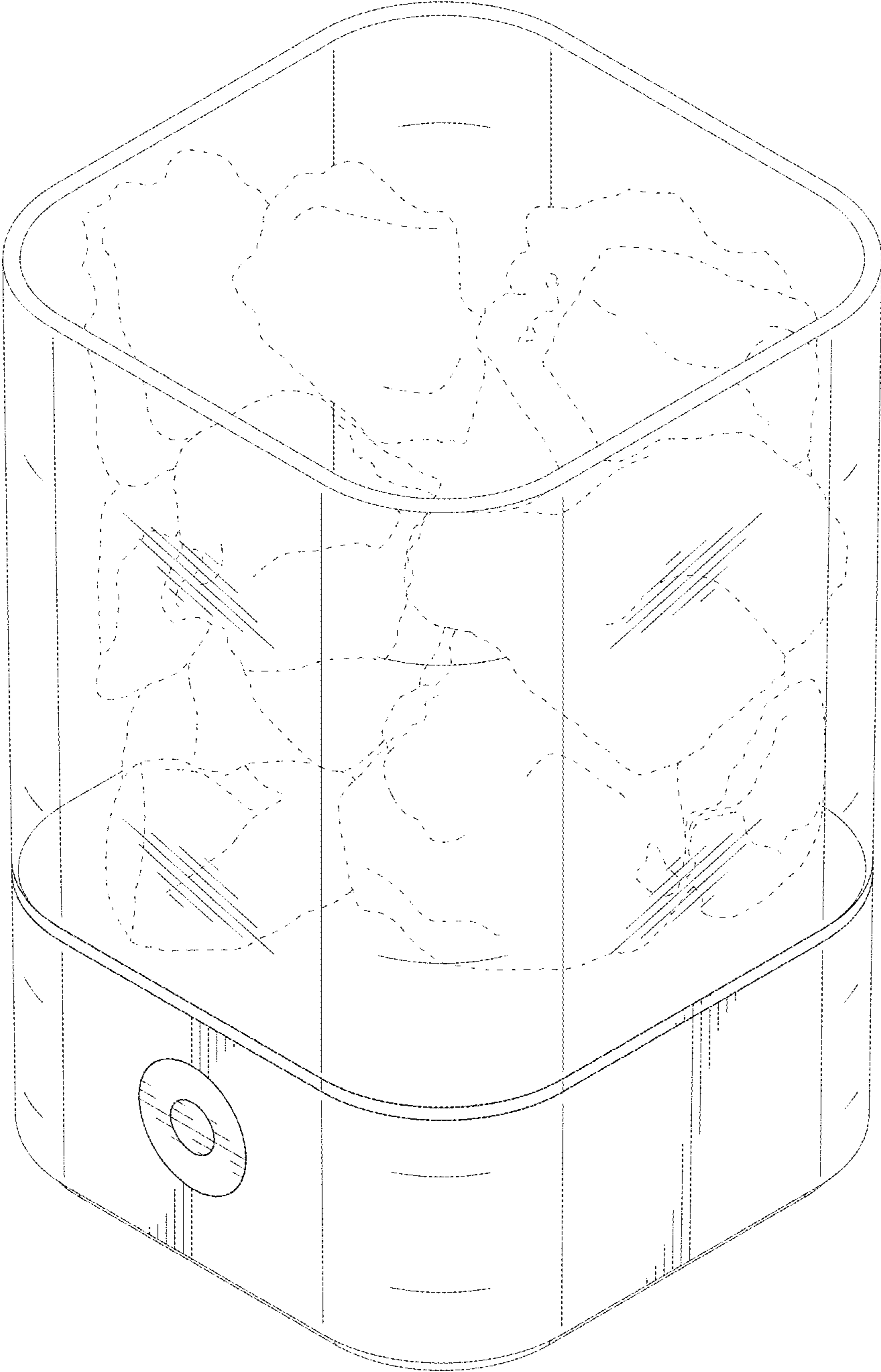


FIG.8