



US00D850701S

(12) **United States Design Patent**
Zhuo

(10) **Patent No.:** **US D850,701 S**

(45) **Date of Patent:** **** Jun. 4, 2019**

(54) **SOLAR STAIR LIGHT**

(71) Applicant: **ZHONGSHAN YINGHAO SOLAR TECHNOLOGY CO., LTD,**
Zhongshan (CN)

(72) Inventor: **Qiang Zhuo,** Zhongshan (CN)

(73) Assignee: **Zhongshan Yinghao Solar Technology Co., Ltd,** Zhongshan (CN)

(**) Term: **15 Years**

(21) Appl. No.: **29/609,535**

(22) Filed: **Jun. 30, 2017**

(51) **LOC (11) Cl.** **26-03**

(52) **U.S. Cl.**
USPC **D26/85**

(58) **Field of Classification Search**
USPC D26/72, 85, 89, 120; D10/106.6, 106.8
CPC F21S 8/03; F21S 8/033; F21S 8/036; F21S 8/037; F21S 9/022; F21S 9/024; F21S 9/03; F21S 9/035; F21S 9/037; F21W 2131/107; G08B 13/193
See application file for complete search history.

(56) **References Cited**

U.S. PATENT DOCUMENTS

D151,626 S * 11/1948 Kress D26/85
D612,975 S * 3/2010 Guercio D26/85

D791,994 S * 7/2017 Liu D10/106.8
D805,236 S * 12/2017 Exley D26/85
D816,259 S * 4/2018 Liu D26/85
D822,874 S * 7/2018 Hu D26/85
D829,359 S * 9/2018 Zhang D26/85

* cited by examiner

Primary Examiner — Clare E Heflin

(74) *Attorney, Agent, or Firm* — Wayne & Ken, LLC

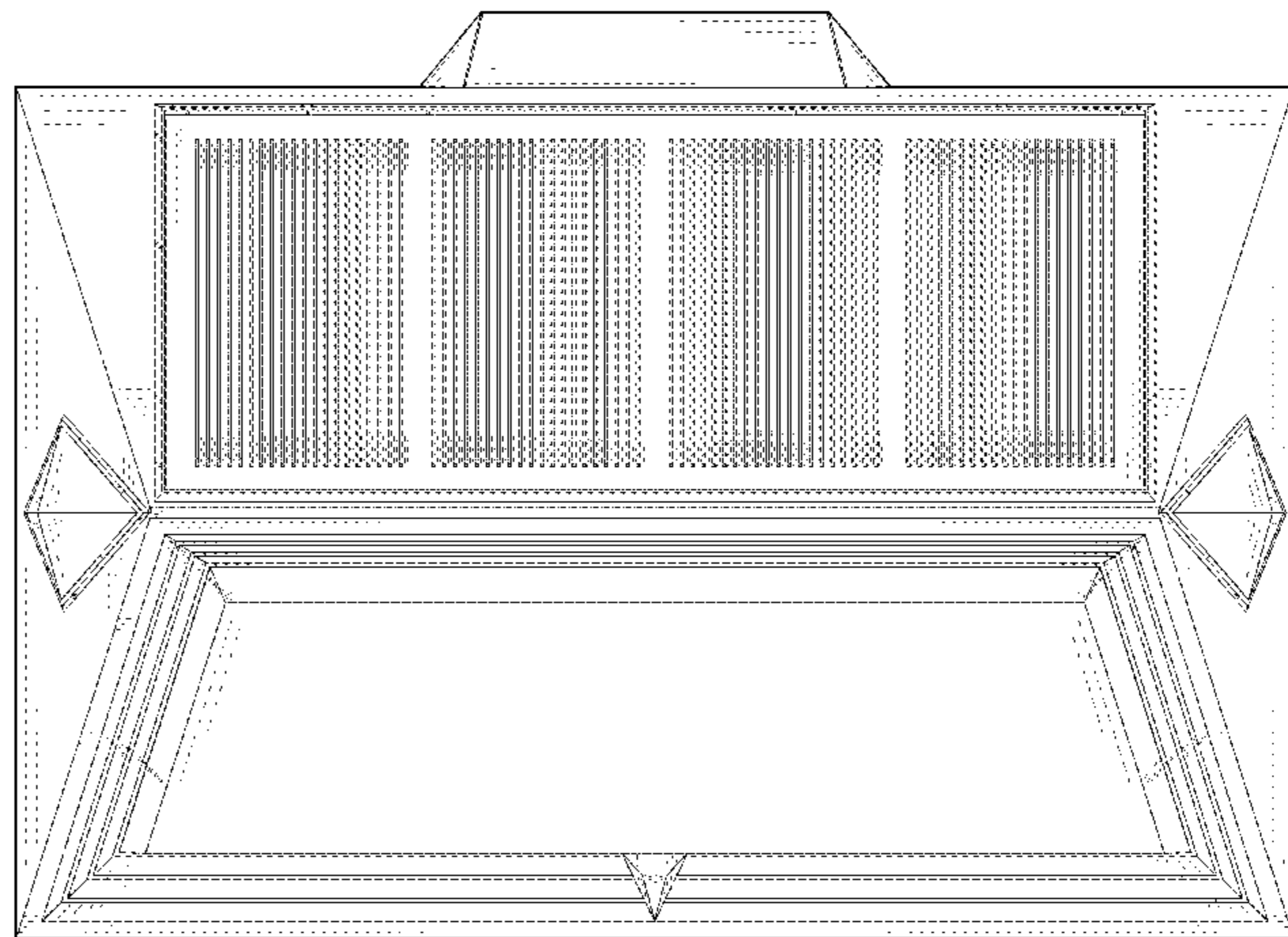
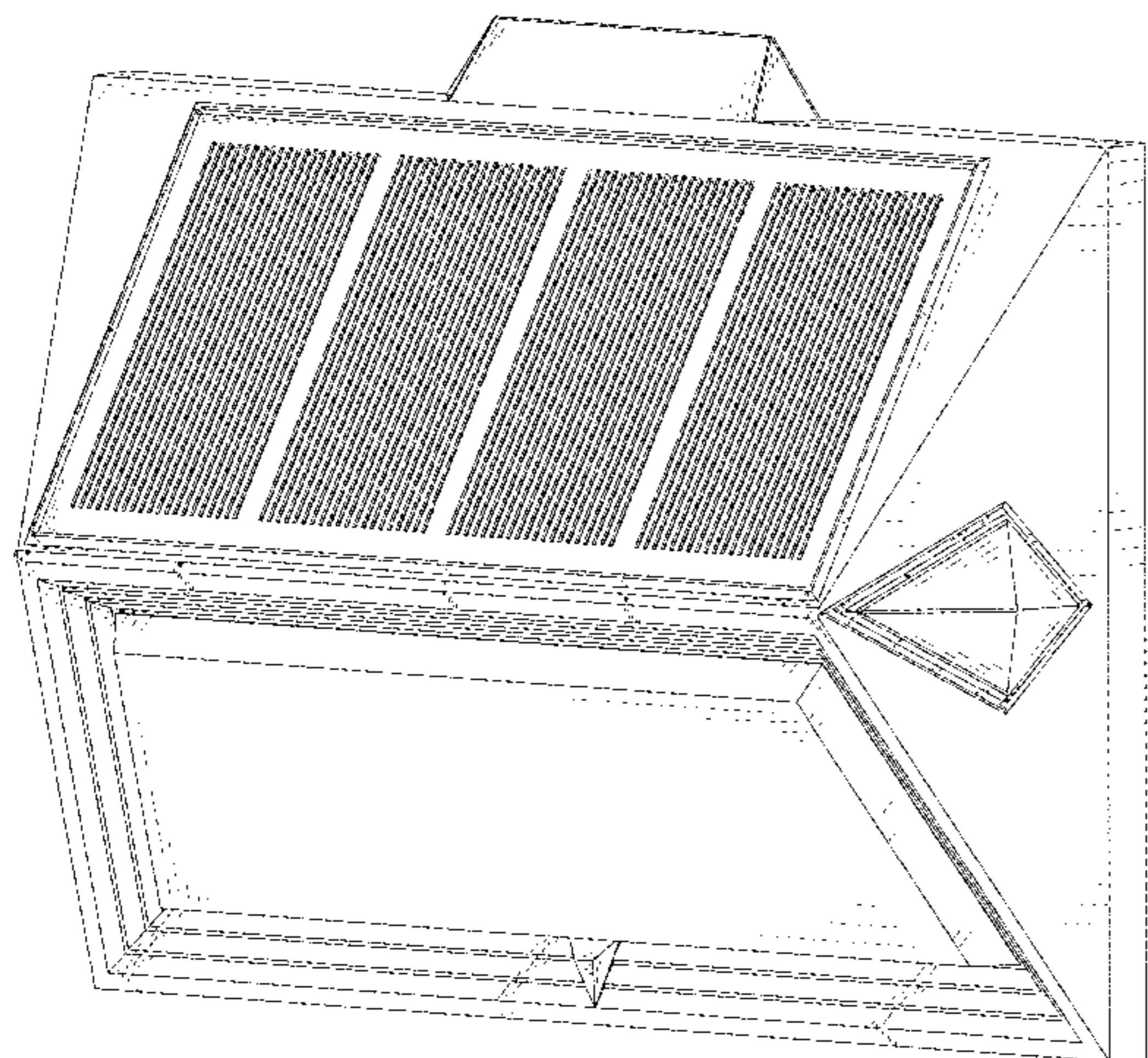
(57) **CLAIM**

The ornamental design for the solar stair light, as shown and described.

DESCRIPTION

FIG. 1 is a perspective view of a solar stair light showing the new design;
FIG. 2 is another perspective view thereof;
FIG. 3 is a front side view thereof;
FIG. 4 is a back side view thereof;
FIG. 5 is a left side view thereof;
FIG. 6 is a right side view thereof;
FIG. 7 is a top plan view thereof; and,
FIG. 8 is a bottom view thereof.

1 Claim, 8 Drawing Sheets



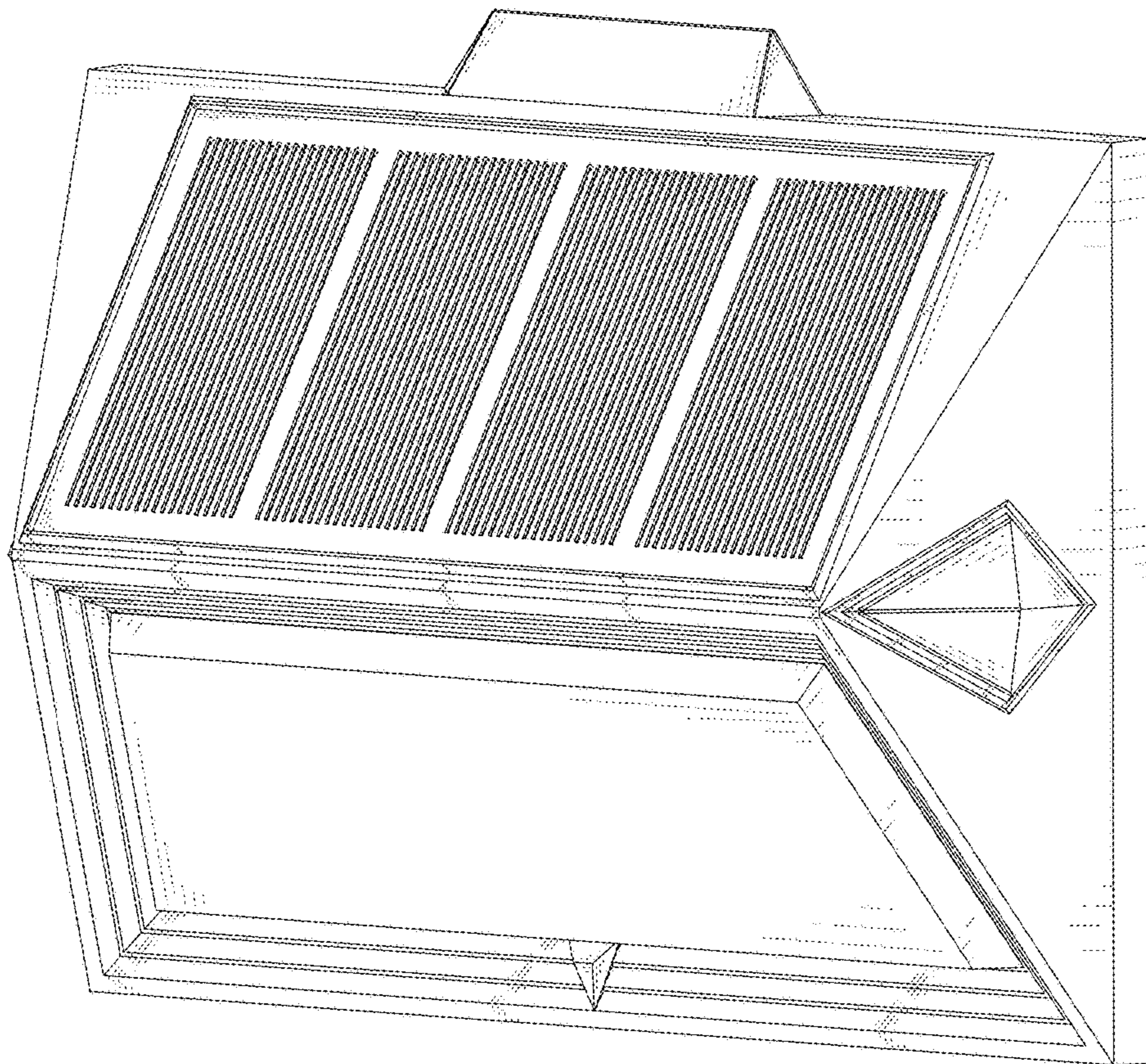


FIG. 1

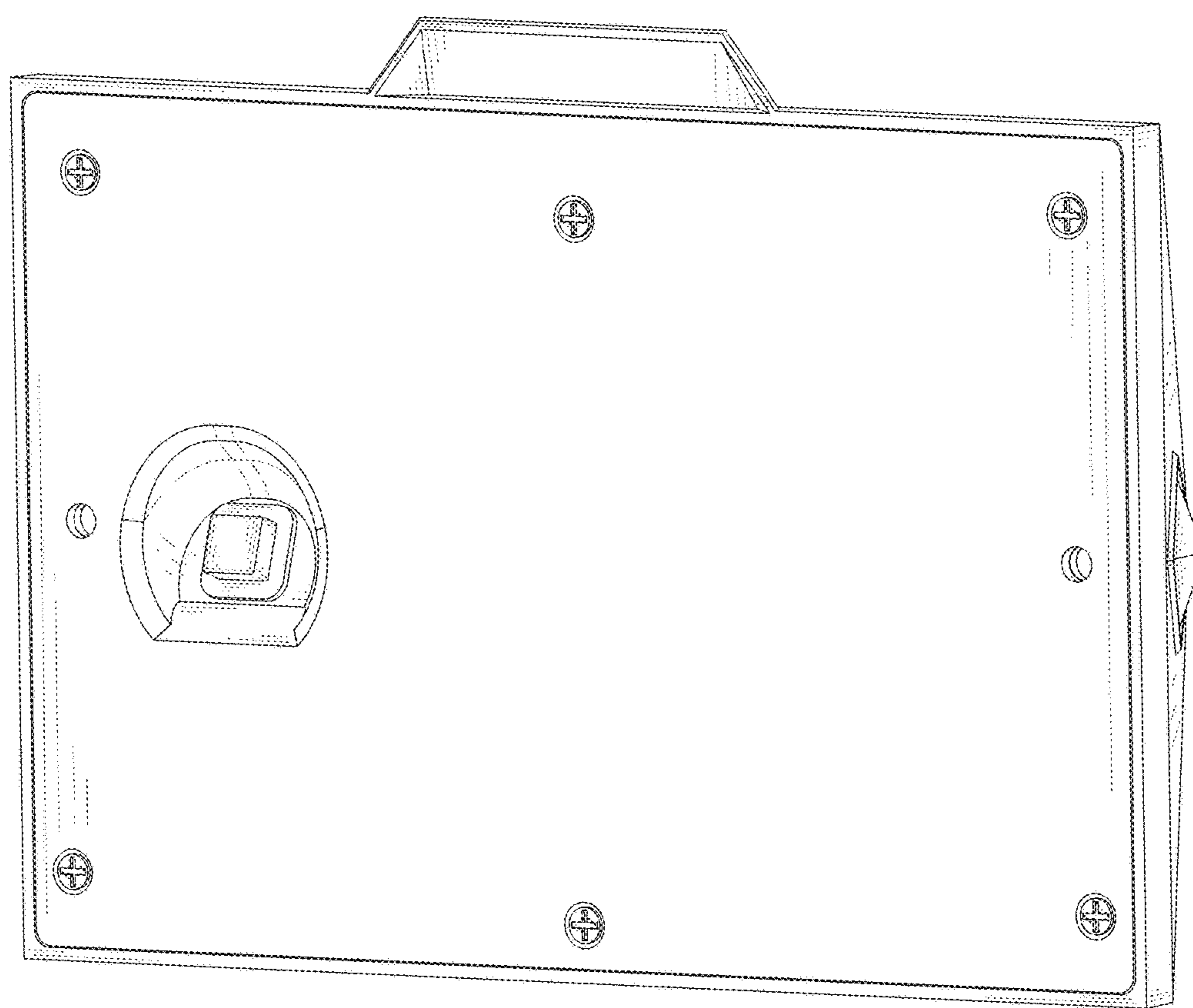


FIG. 2

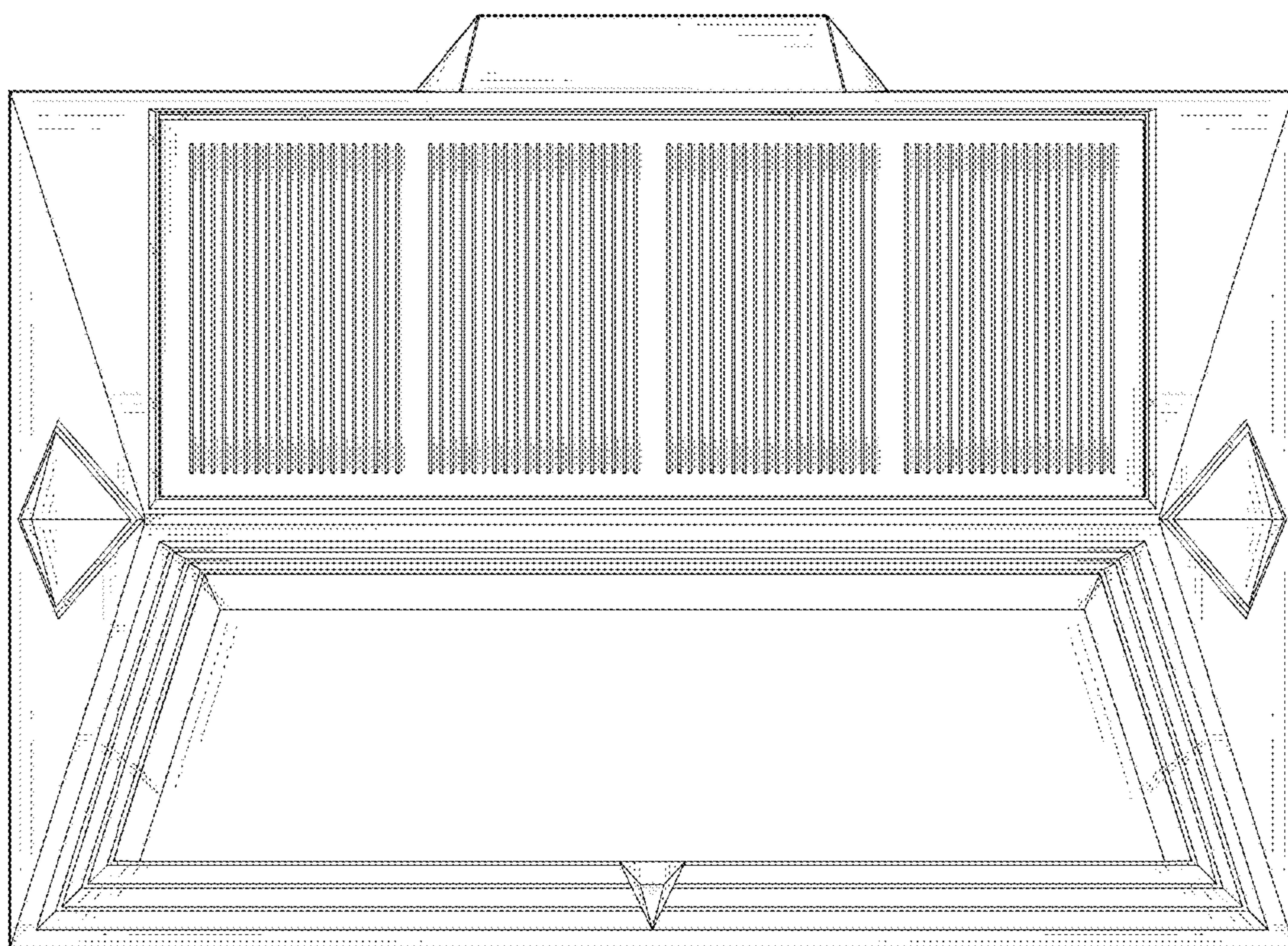


FIG. 3

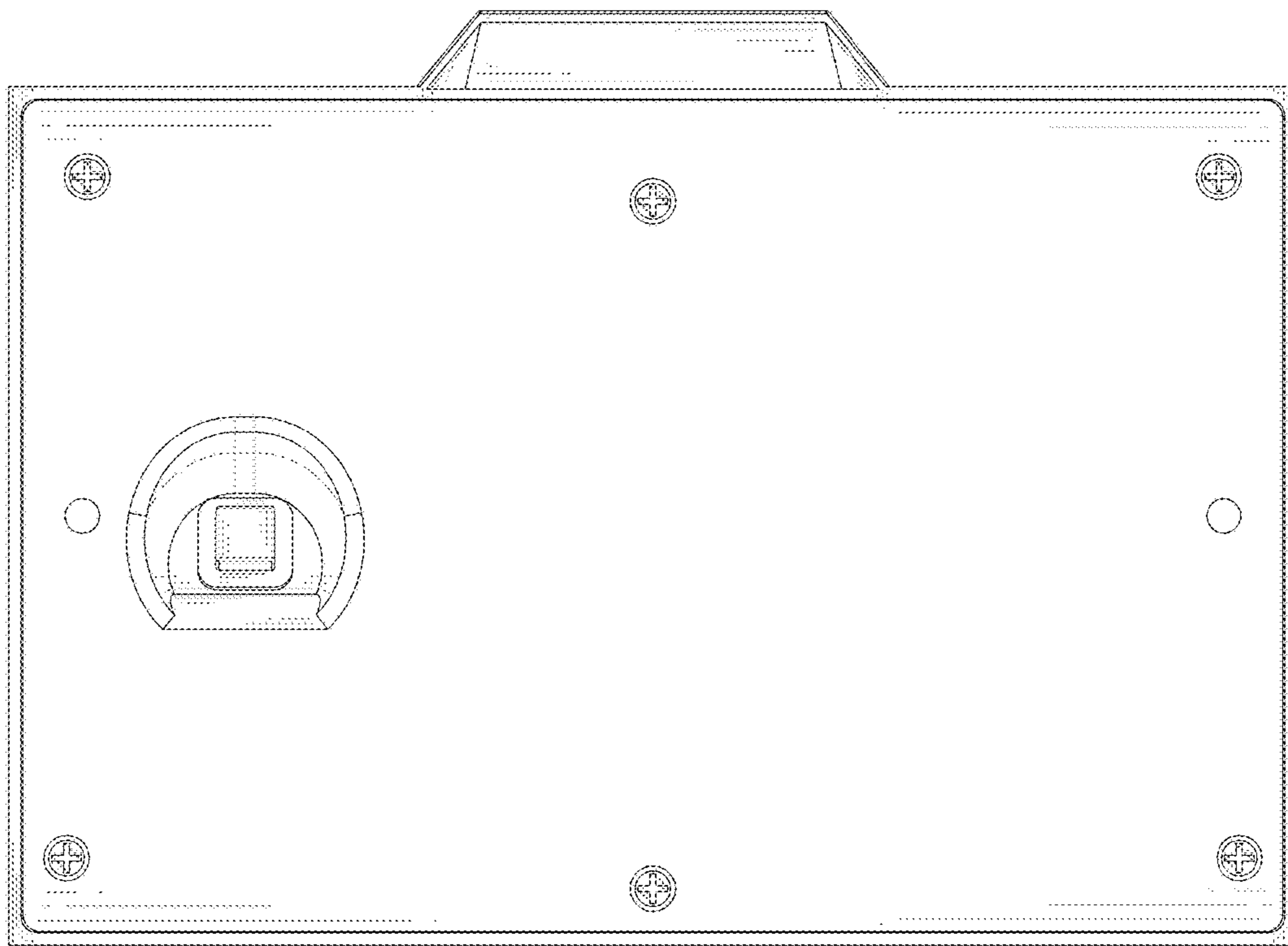


FIG. 4

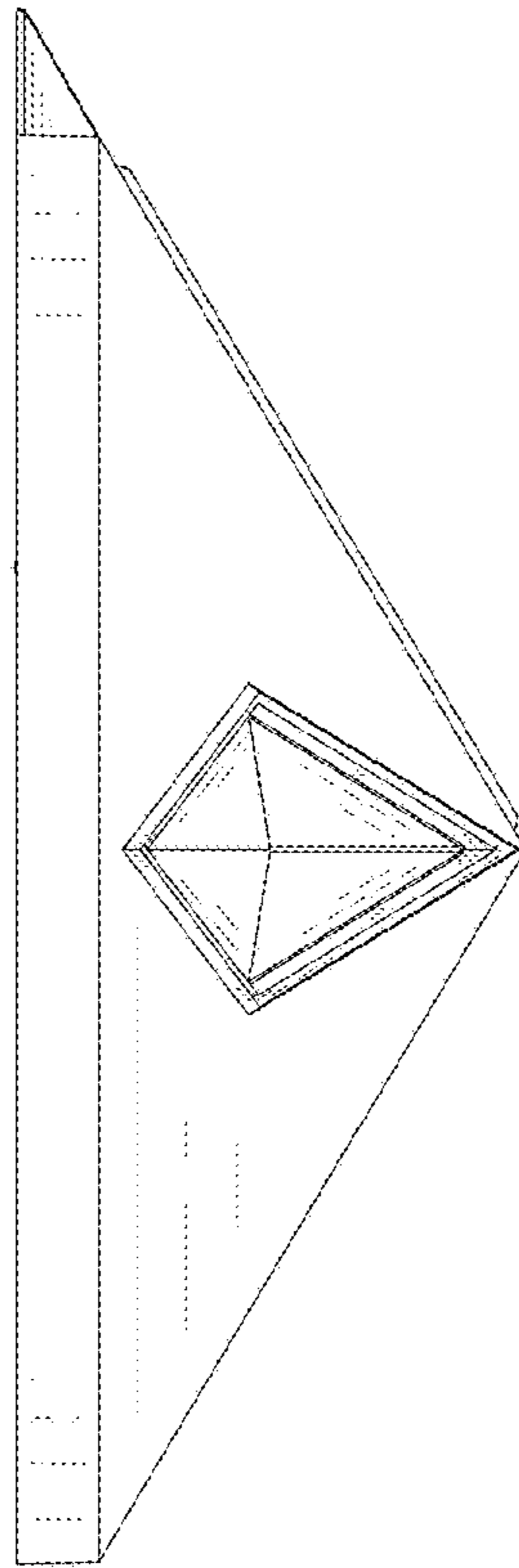


FIG. 5

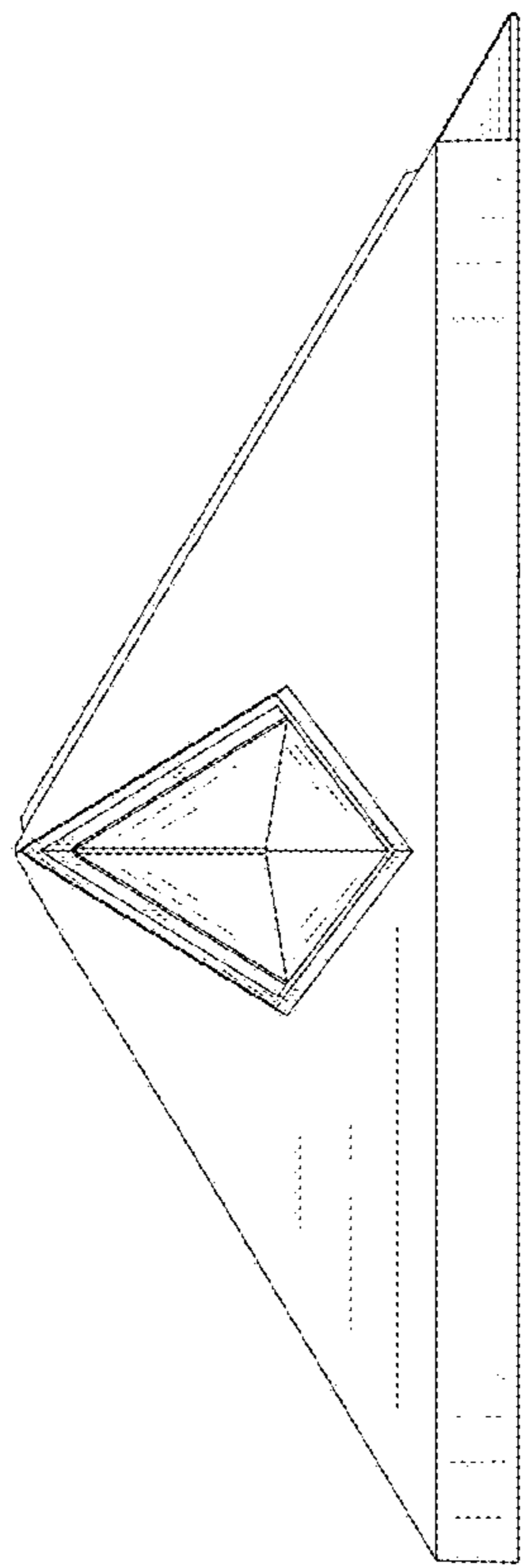


FIG. 6

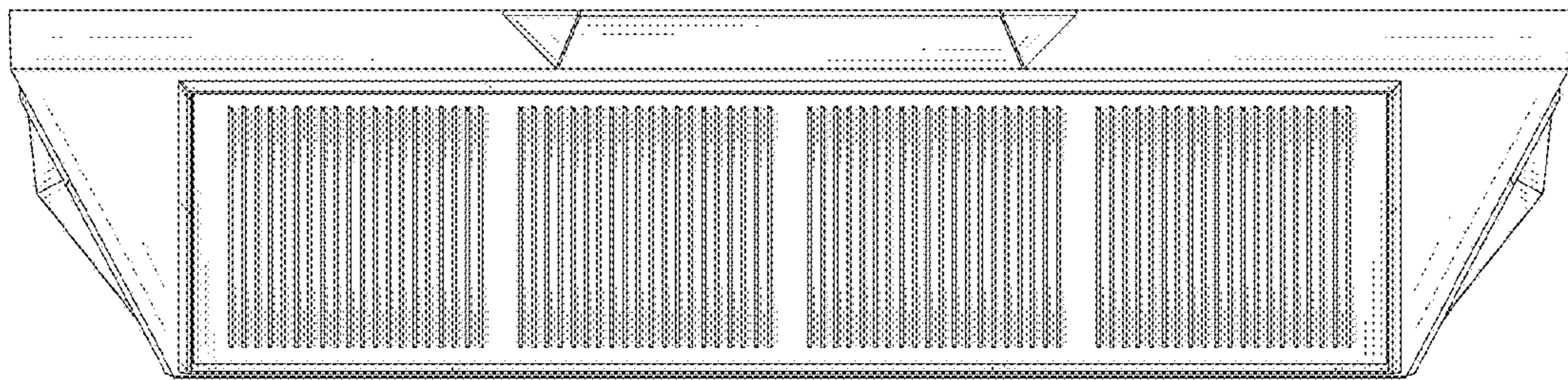


FIG. 7

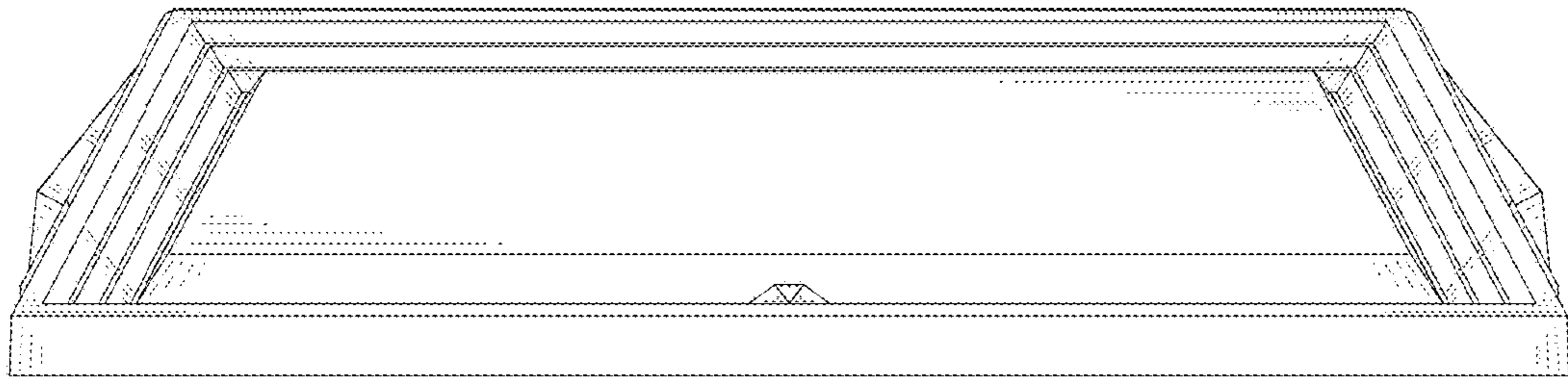


FIG. 8