



US00D850699S

(12) **United States Design Patent** (10) **Patent No.:** **US D850,699 S**
Xu (45) **Date of Patent:** **** Jun. 4, 2019**

- (54) **TROFFER LIGHT**
- (71) Applicant: **Yibo Xu**, Guangdong (CN)
- (72) Inventor: **Yibo Xu**, Guangdong (CN)
- (73) Assignee: **SHENZHEN JIANGJING LIGHTING CO., LTD**, Shenzhen, Guangdong (CN)
- (**) Term: **15 Years**
- (21) Appl. No.: **29/630,949**
- (22) Filed: **Dec. 25, 2017**
- (51) **LOC (11) Cl.** **26-04**
- (52) **U.S. Cl.**
USPC **D26/76**
- (58) **Field of Classification Search**
USPC D26/76, 78, 79, 80, 81, 82, 83, 85, 86,
D26/88, 90, 93, 111, 113, 118, 119, 120,
D26/121, 122, 138, 139, 140, 141, 142,
D26/152
CPC F21S 2/00; F21S 4/00; F21S 4/003; F21S
4/005; F21S 4/006; F21S 4/007; F21S
4/008; F21S 6/00; F21S 8/00; F21S
8/024; F21S 8/026; F21S 8/031; F21S
8/033; F21S 8/035-8/037; F21S 8/04;
F21S 8/043; F21S 8/063
See application file for complete search history.

- (56) **References Cited**
U.S. PATENT DOCUMENTS
D413,402 S * 8/1999 Ranieri D26/74
D496,121 S * 9/2004 Santoro D26/76
D556,358 S * 11/2007 Santoro D26/76
D608,490 S * 1/2010 Chung D26/118
D665,119 S * 8/2012 Bryant D26/122
D667,983 S * 9/2012 Pickard D26/74

- D672,079 S * 12/2012 Kong D26/74
- D679,848 S * 4/2013 Pickard D26/74
- D721,198 S * 1/2015 Glasbrenner D26/76
- D747,529 S * 1/2016 Yoon D26/74
- D749,768 S * 2/2016 Snell D26/76
- D762,909 S * 8/2016 Shi D26/76
- D767,193 S * 9/2016 Jung D26/74
- D786,471 S * 5/2017 Snell D26/74
- D833,052 S * 11/2018 Verfueth D26/76
- 2012/0051041 A1 * 3/2012 Edmond F21S 8/026
362/231

* cited by examiner

Primary Examiner — Natasha Vujcic

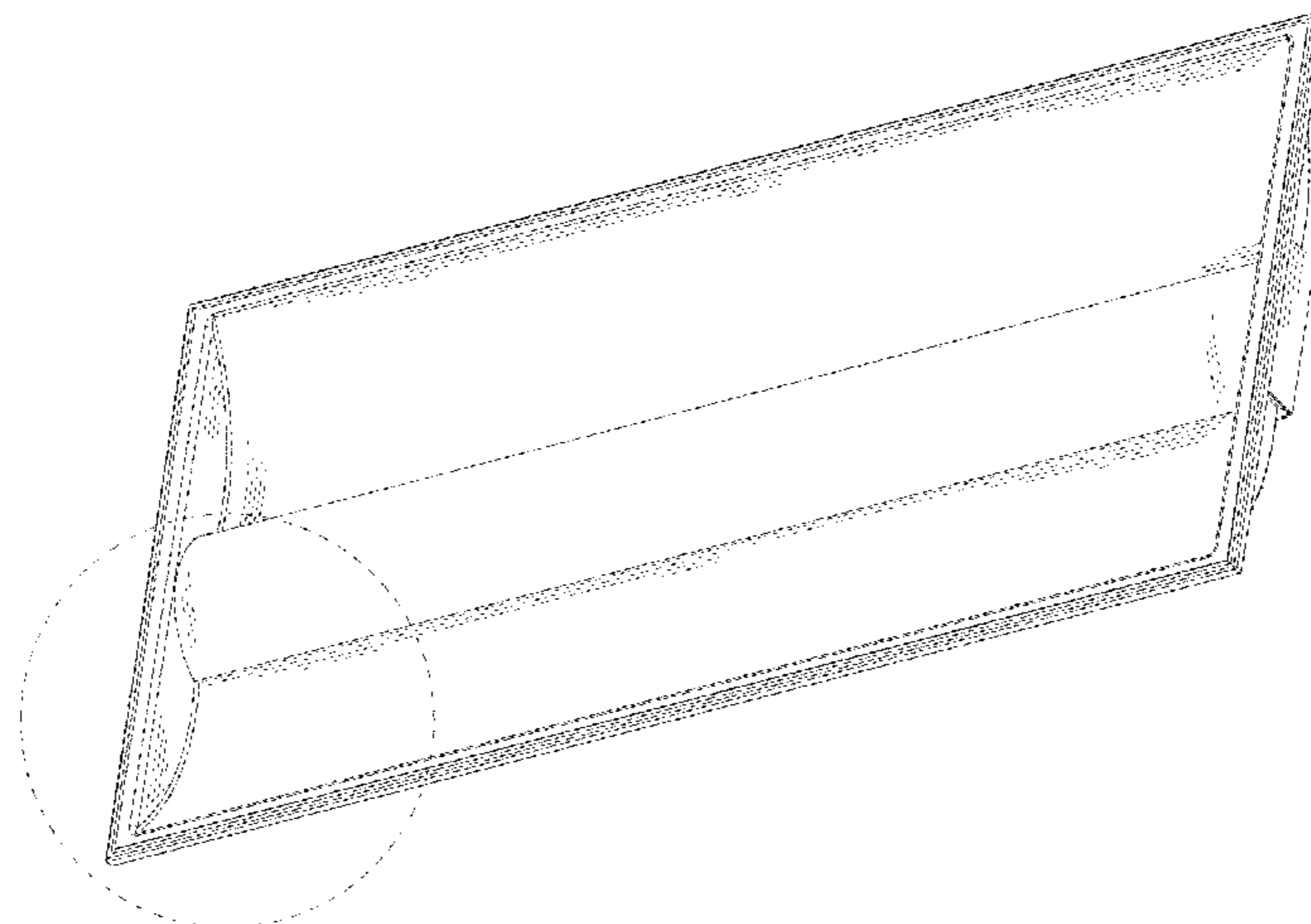
(57) **CLAIM**

The ornamental design for a troffer light, as shown and described.

DESCRIPTION

FIG. 1 is a perspective view of the front of a troffer light showing my new design;
 FIG. 2 is a front elevational view of the troffer light of FIG. 1;
 FIG. 3 is a rear elevational view of the troffer light of FIG. 1;
 FIG. 4 is a left side elevational view of the troffer light of FIG. 1;
 FIG. 5 is a right side elevational view of the troffer light of FIG. 1;
 FIG. 6 is a top plan view of the troffer light of FIG. 1;
 FIG. 7 is a bottom plan view of the troffer light of FIG. 1;
 FIG. 8 is an exploded view of the light frame of the troffer light taken from the circled portion in FIG. 1; and,
 FIG. 9 is a perspective view of the rear of a troffer light showing my new design.
 The broken lines in the drawings illustrate the environment of the troffer light and form no part of the claimed design.

1 Claim, 9 Drawing Sheets



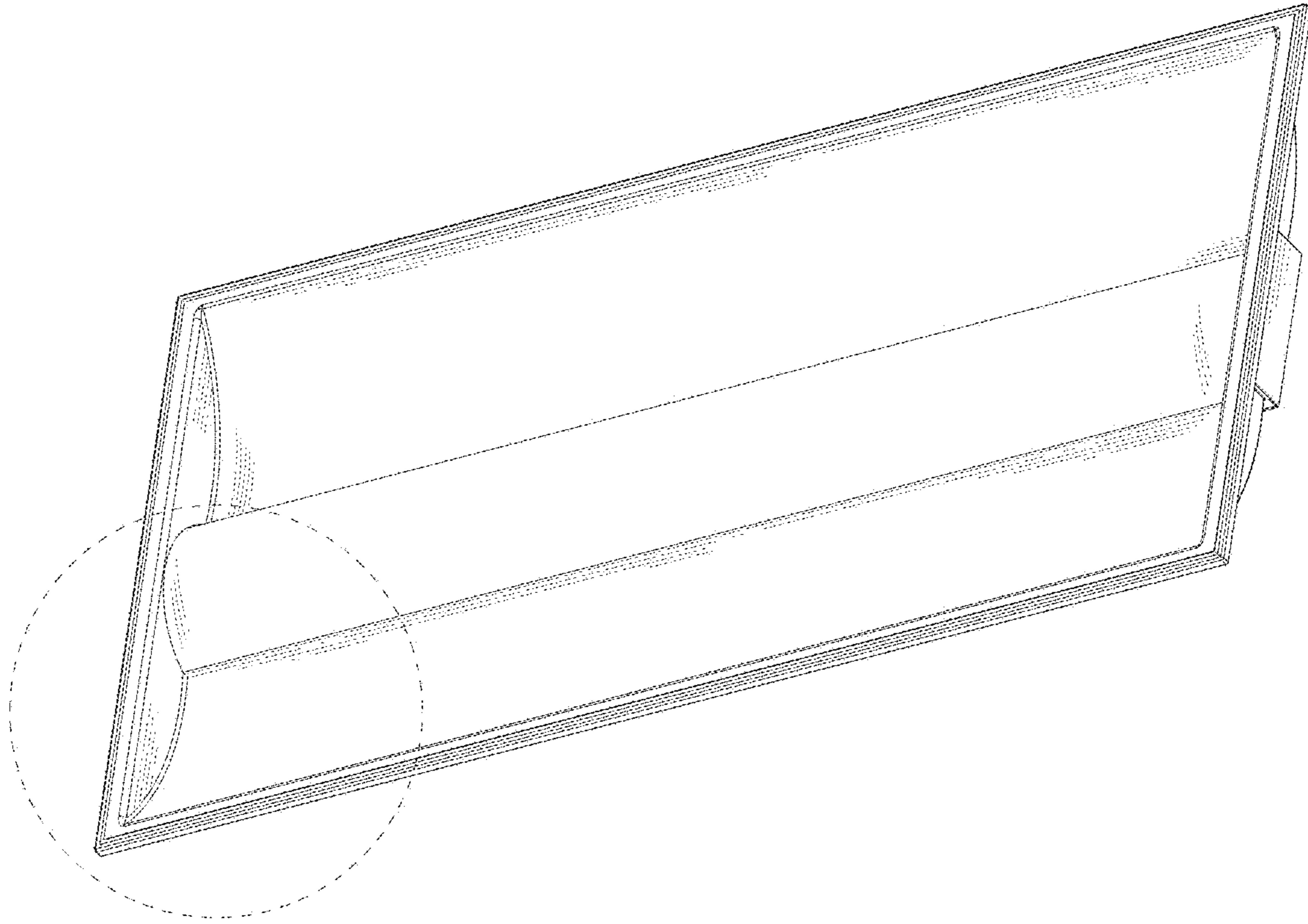


FIG.1

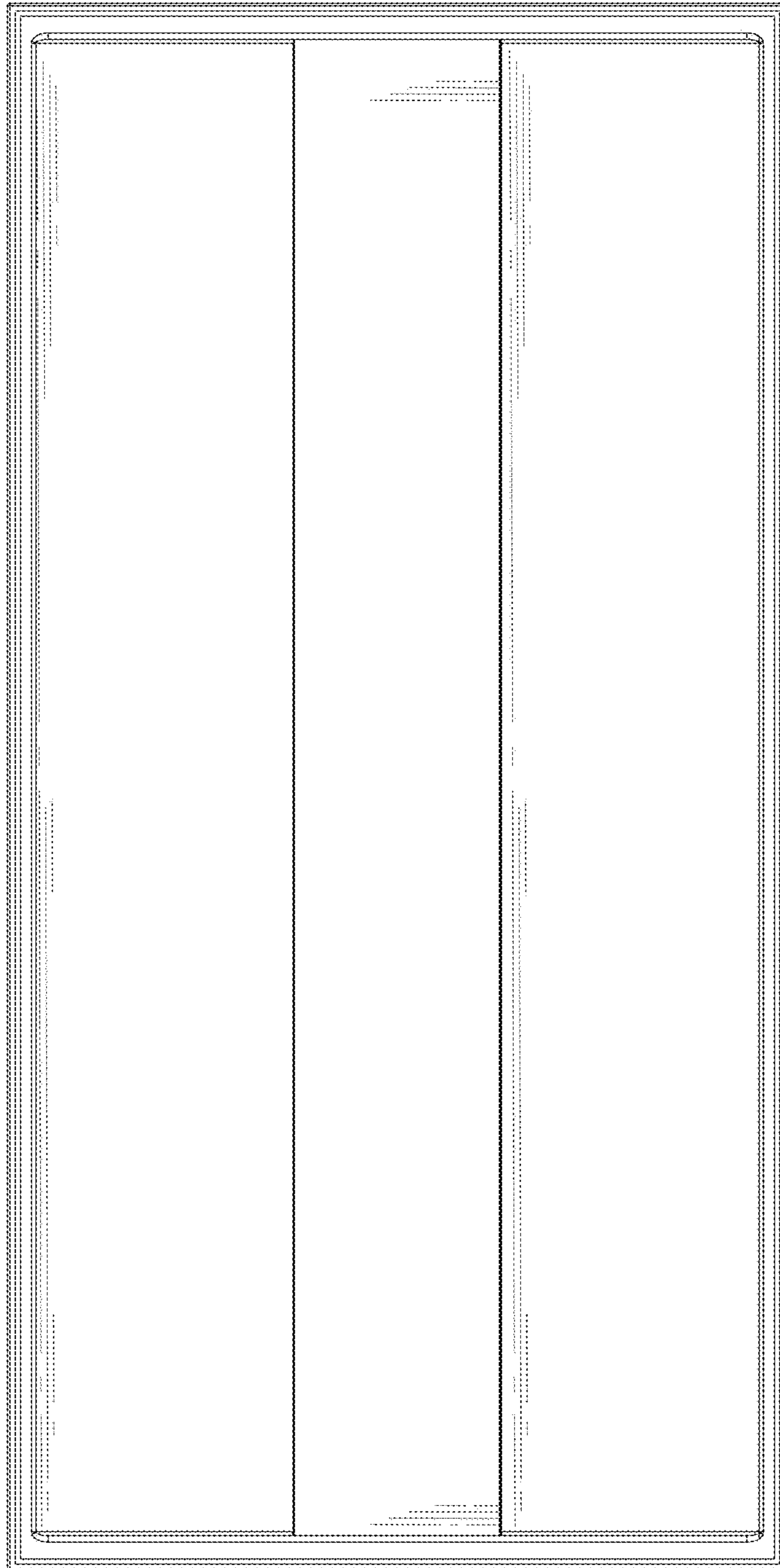


FIG.2

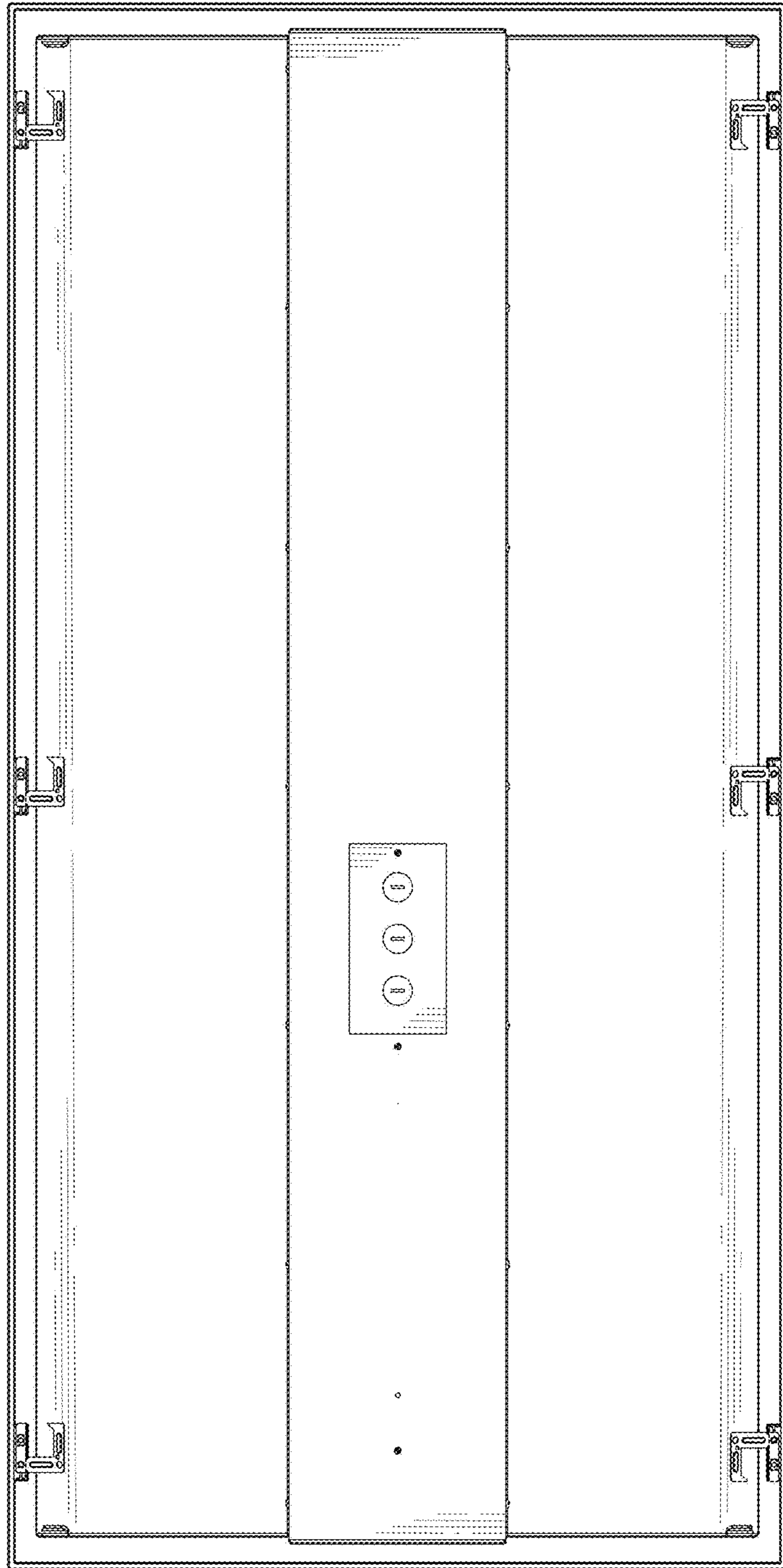


FIG.3

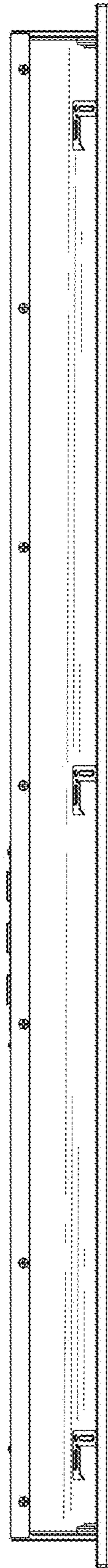


FIG.4

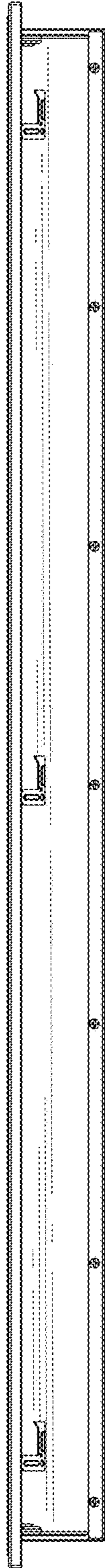


FIG.5

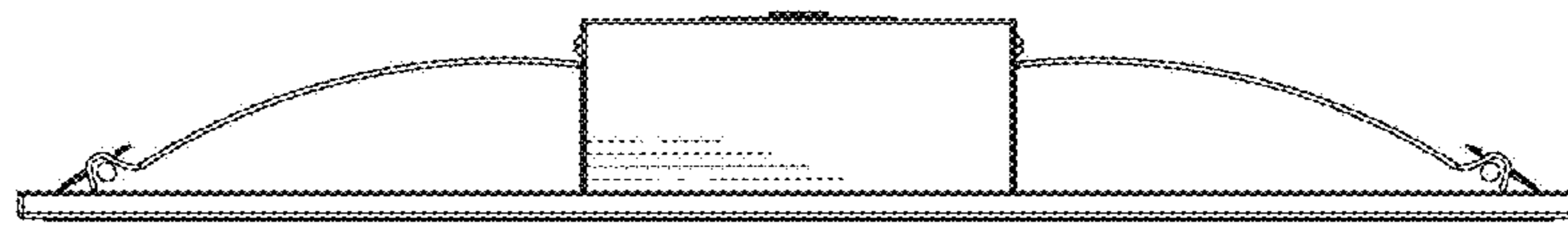


FIG.6

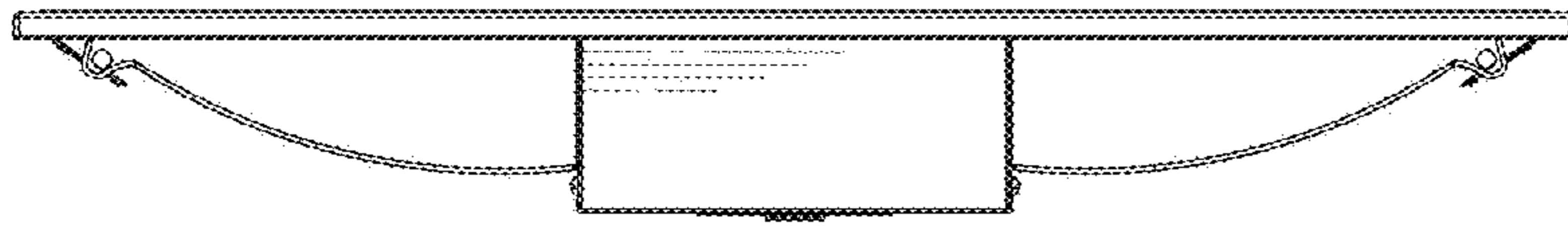


FIG. 7

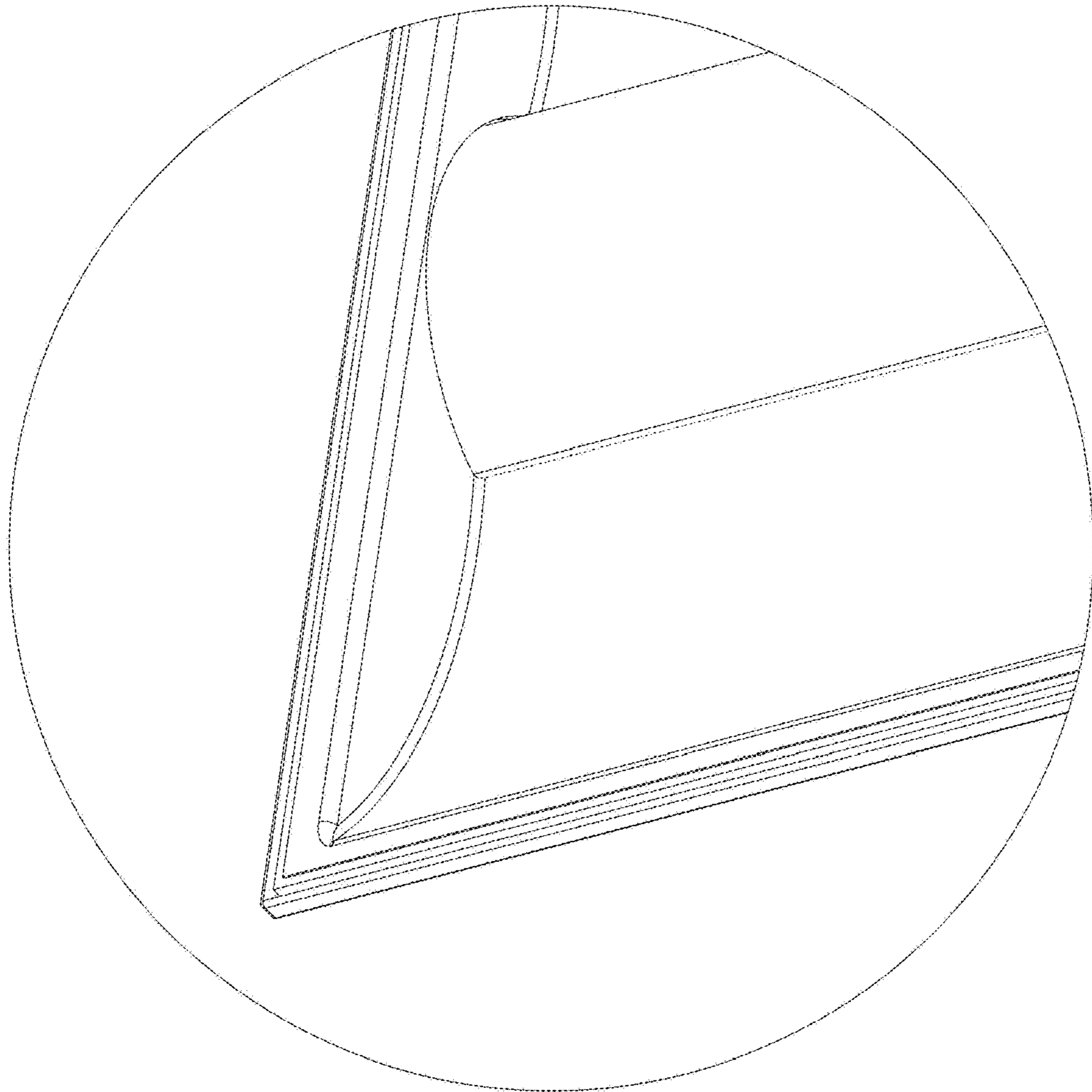


FIG. 8

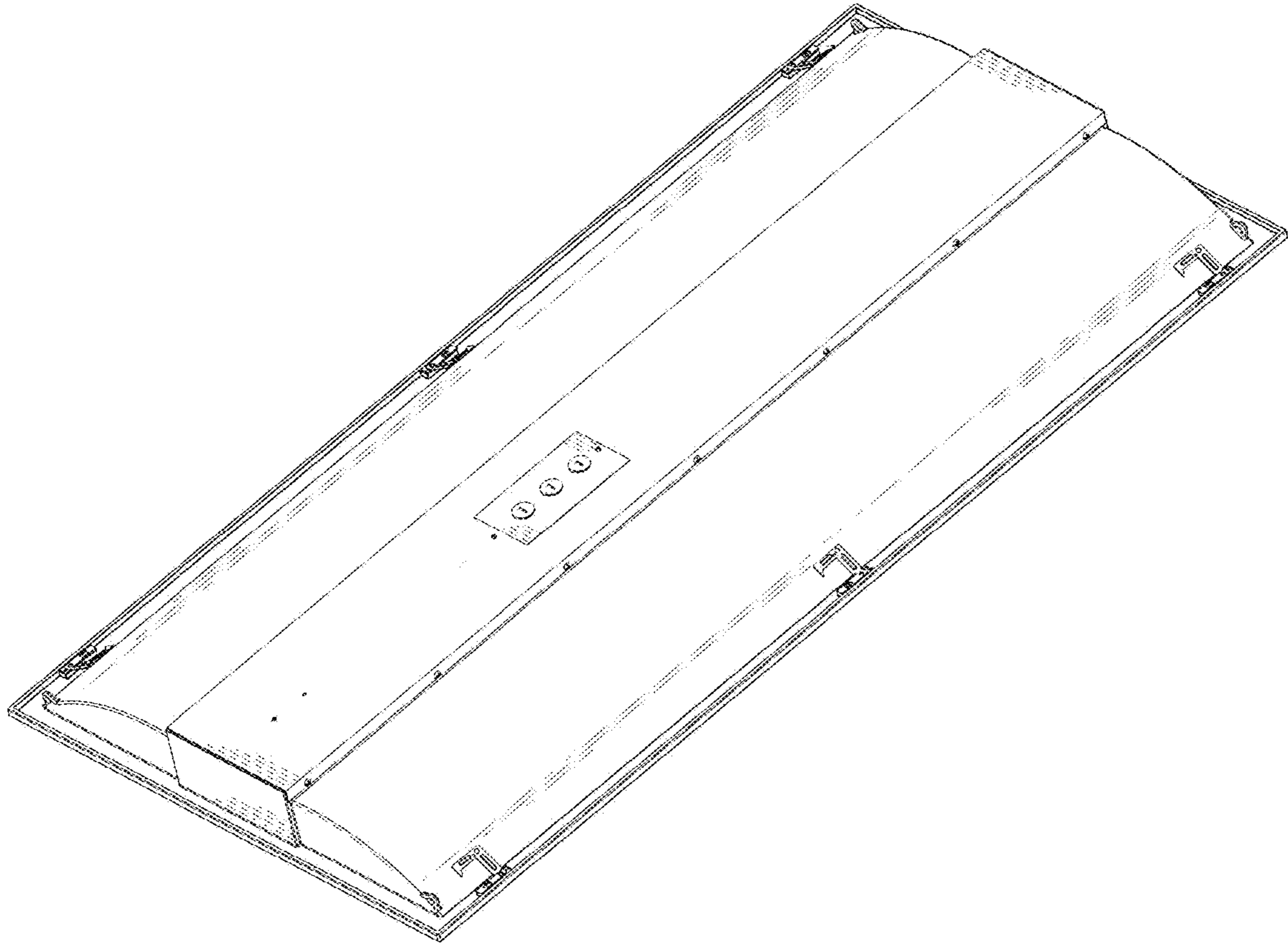


FIG.9