



US00D850696S

(12) **United States Design Patent**
Zhu

(10) **Patent No.:** **US D850,696 S**

(45) **Date of Patent:** **** Jun. 4, 2019**

(54) **LED RECESSED CEILING LIGHT**

(71) Applicant: **Dongsheng Zhu**, Guangdong (CN)

(72) Inventor: **Dongsheng Zhu**, Guangdong (CN)

(**) Term: **15 Years**

(21) Appl. No.: **29/624,203**

(22) Filed: **Oct. 31, 2017**

(51) **LOC (11) Cl.** **26-05**

(52) **U.S. Cl.**
USPC **D26/74**

(58) **Field of Classification Search**
USPC D26/74, 72, 75, 76, 77, 78, 85, 88, 89,
D26/118, 138, 141; 362/364, 365, 373,
362/145, 146, 147, 148, 150, 153, 153.1,
362/294, 296.01, 296, 296.08
CPC F21V 29/2262; F21V 7/06; F21V 21/044;
F21V 21/047; F21V 29/2212; F21V
29/2225; F21V 29/2256; F21V 29/225;
F21V 29/2268; F21Y 2111/002; F21S
8/02; F21S 8/026
See application file for complete search history.

(56) **References Cited**

U.S. PATENT DOCUMENTS

D380,852 S * 7/1997 Lecluze D26/118
D381,111 S * 7/1997 Lecluze D26/118

D383,564 S * 9/1997 Lecluze D26/118
D386,277 S * 11/1997 Lecluze D26/118
D387,466 S * 12/1997 Lecluze D26/118
D437,654 S * 2/2001 Chen D26/74
D606,696 S * 12/2009 Chen D26/74
D797,977 S * 9/2017 Farzan D26/74
D809,698 S * 2/2018 Benghozi D26/74
D827,914 S * 9/2018 Momin D26/124
D828,944 S * 9/2018 Xie D26/74
D829,365 S * 9/2018 Momin D26/120

* cited by examiner

Primary Examiner — Angela J Lee

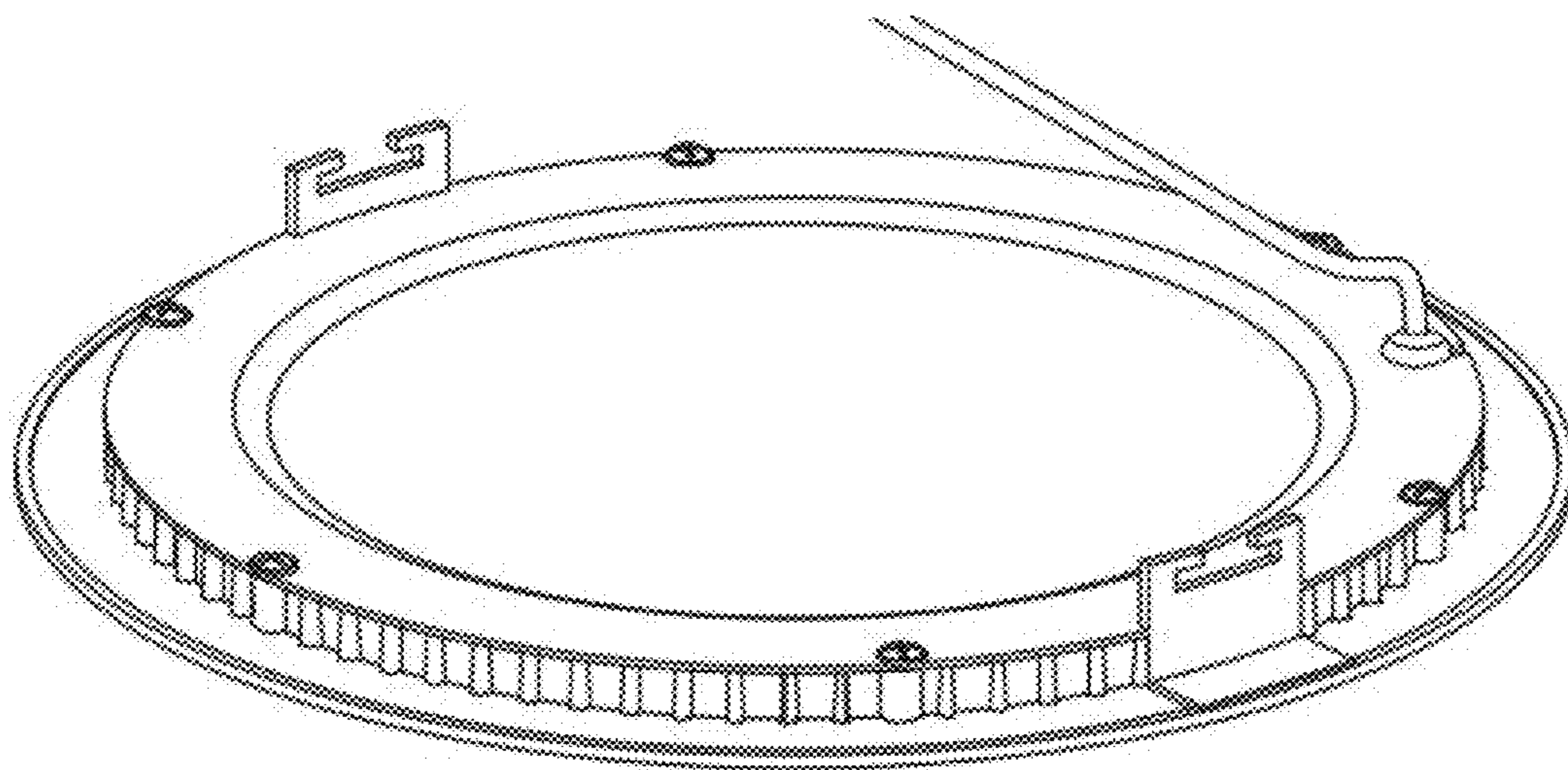
(57) **CLAIM**

The ornamental design for LED recessed ceiling light, as shown and described.

DESCRIPTION

FIG. 1 is a perspective view of a LED recessed ceiling light showing my new design;
FIG. 2 is a front elevational view thereof;
FIG. 3 is a rear elevational view thereof;
FIG. 4 is a right side view thereof;
FIG. 5 is a left side view thereof;
FIG. 6 is a bottom plan view thereof; and,
FIG. 7 is a top plan view thereof.

1 Claim, 7 Drawing Sheets



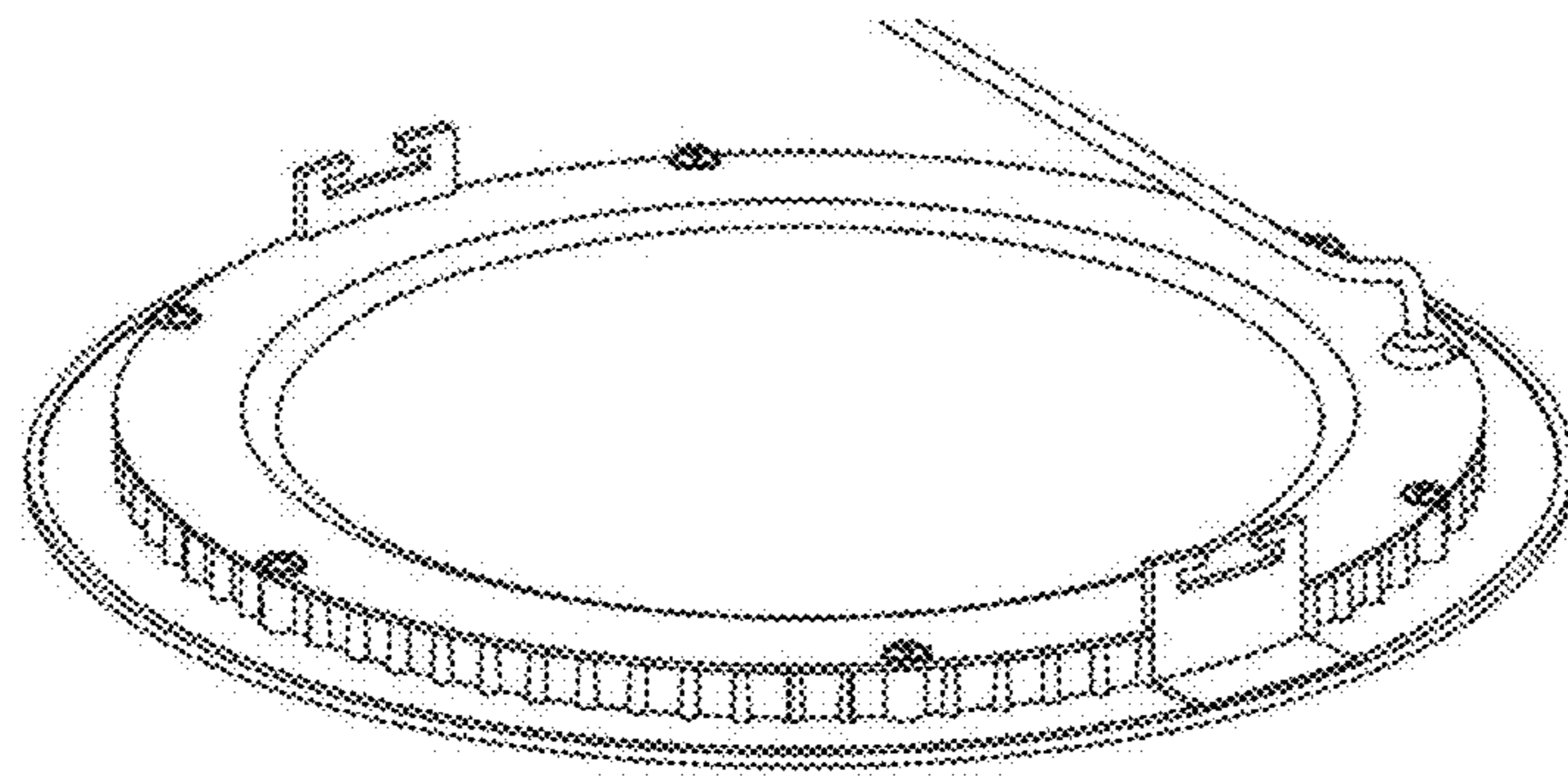


FIG. 1

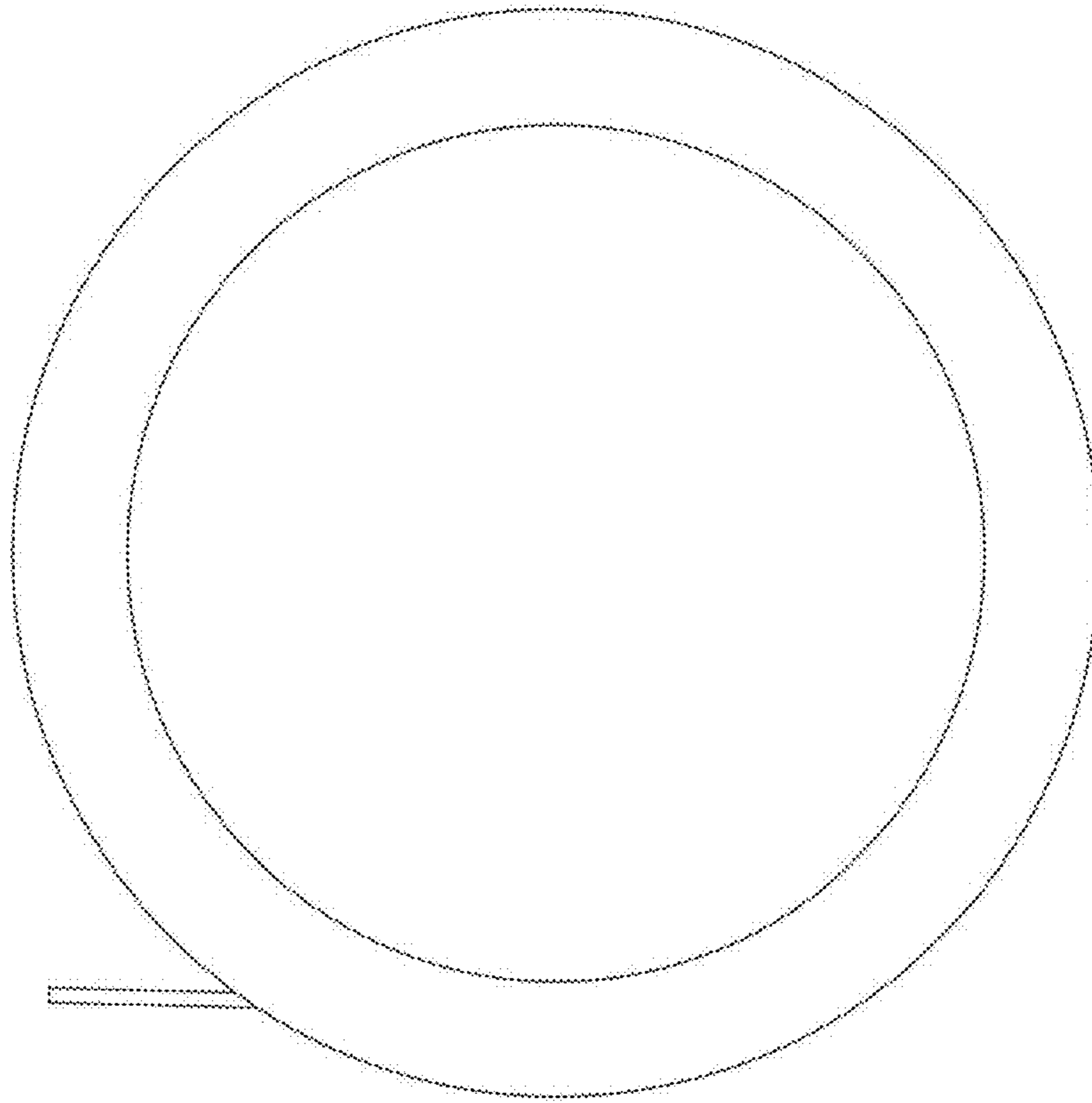


FIG. 2

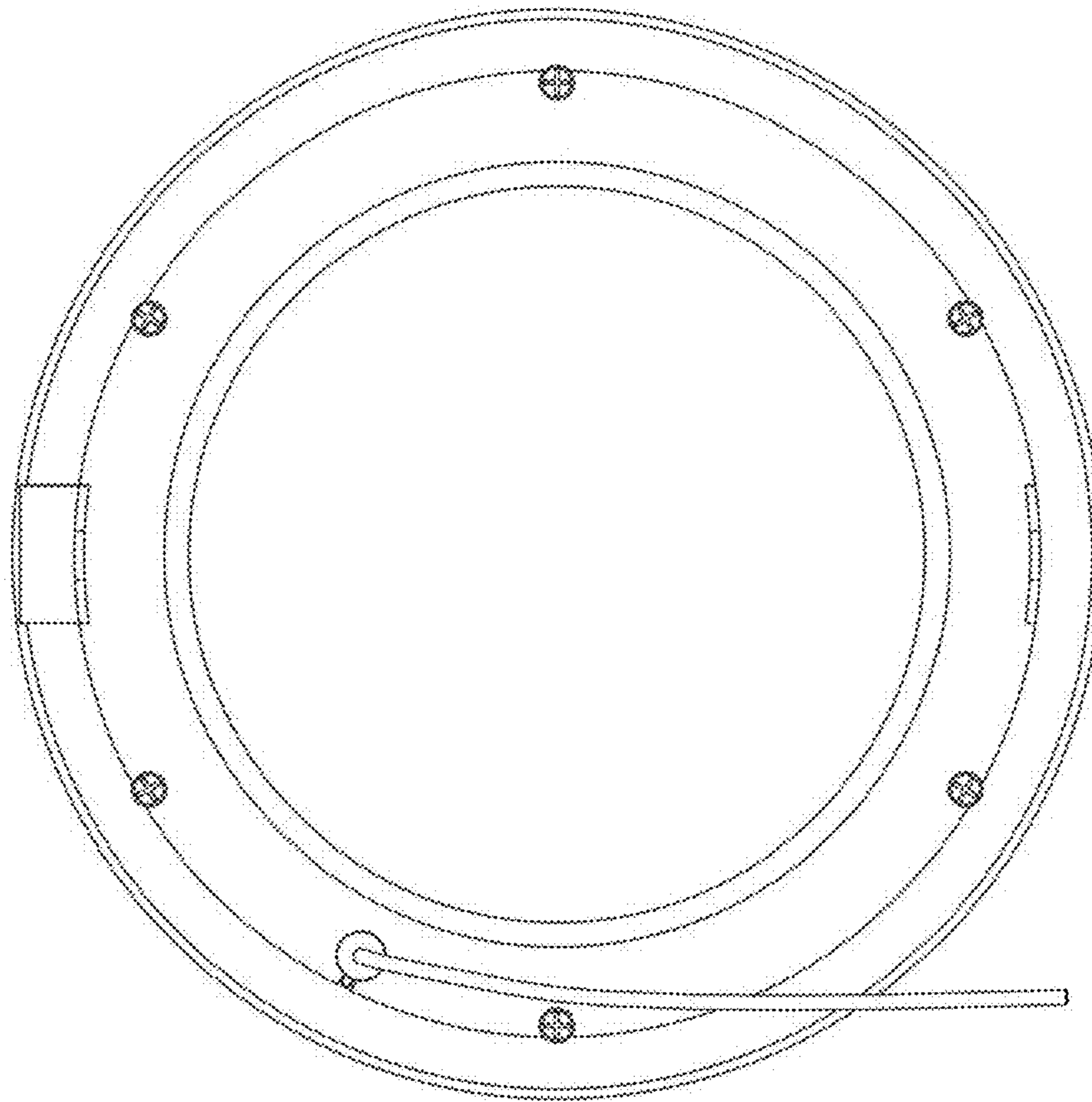


FIG. 3

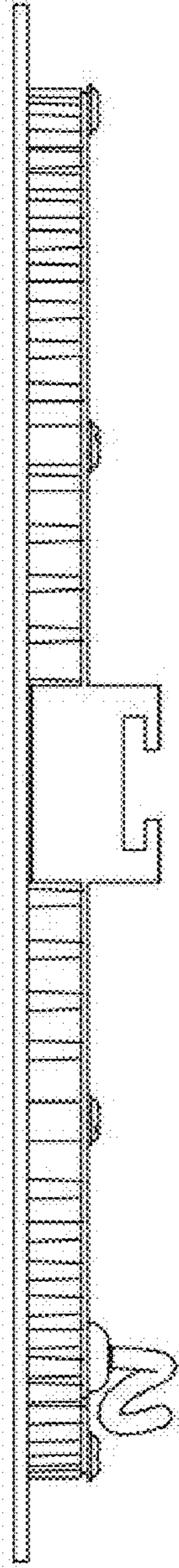


FIG. 4

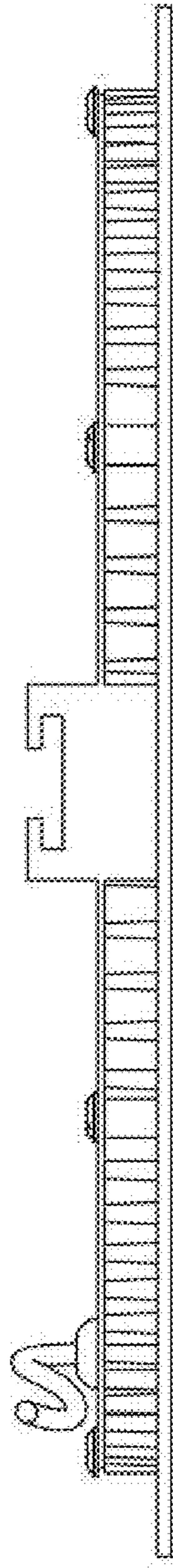


FIG. 5

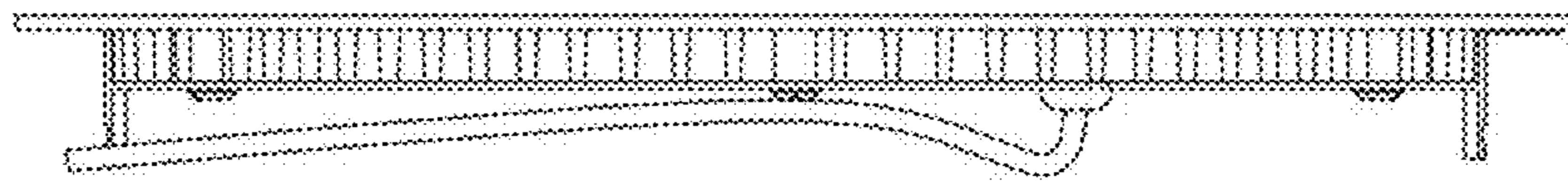


FIG. 6

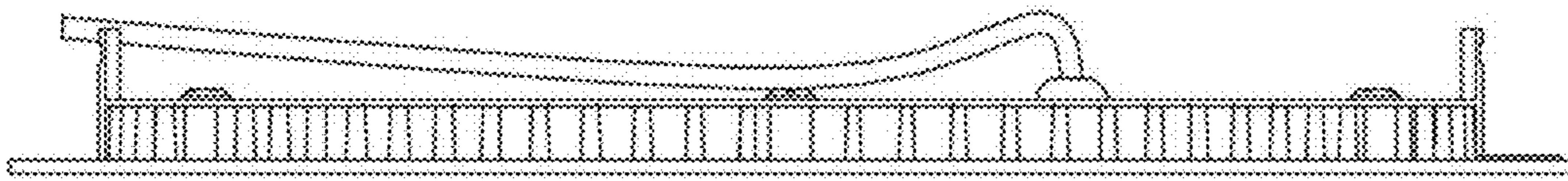


FIG. 7