



US00D850695S

(12) **United States Design Patent**  
**Dabiet et al.**

(10) **Patent No.:** **US D850,695 S**  
(45) **Date of Patent:** **\*\* Jun. 4, 2019**

- (54) **LIGHTING FIXTURE**
- (71) Applicant: **ALLANSON LIGHTING TECHNOLOGIES INC.**, Markham (CA)
- (72) Inventors: **Faiek Dabiet**, Toronto (CA); **Wayne Lee**, Toronto (CA); **Mahsa Ajilian**, Toronto (CA); **Horea Trifu**, Toronto (CA)
- (73) Assignee: **ALLANSON LIGHTING TECHNOLOGIES INC.**, Markham (CA)
- (\*\*) Term: **15 Years**
- (21) Appl. No.: **29/621,077**
- (22) Filed: **Oct. 4, 2017**

**Related U.S. Application Data**

- (63) Continuation of application No. 12/696,614, filed on Jan. 29, 2010, now Pat. No. 9,797,562.
- (51) **LOC (11) Cl.** ..... **26-05**
- (52) **U.S. Cl.**  
USPC ..... **D26/74**
- (58) **Field of Classification Search**  
USPC ..... D26/74, 72, 75, 76, 77, 78, 85, 88, 89, D26/118, 138, 141; 362/364, 365, 373, 362/145, 146, 147, 148, 150, 153, 153.1, 362/294, 296.01, 296.07, 296.08  
See application file for complete search history.

**References Cited**

**U.S. PATENT DOCUMENTS**

- D326,537 S \* 5/1992 Gattari ..... D26/74
- 6,290,382 B1 9/2001 Bourn et al.
- D656,263 S \* 3/2012 Ogawa ..... D26/74
- D671,668 S \* 11/2012 Rowlette, Jr. .... D26/74

- D684,288 S \* 6/2013 Gielen ..... D26/74
- D708,381 S \* 7/2014 Rashidi ..... D26/74
- D726,949 S \* 4/2015 Redfern ..... D26/74
- D768,325 S \* 10/2016 Xu ..... D26/74
- D777,967 S \* 1/2017 Redfern ..... D26/74
- D786,472 S \* 5/2017 Redfern ..... D26/74
- D790,102 S \* 6/2017 Guzzini ..... D26/74

(Continued)

*Primary Examiner* — Angela J Lee

(74) *Attorney, Agent, or Firm* — Jenna L. Wilson; Wilson Lue LLP

(57) **CLAIM**

The ornamental design for a lighting fixture, as shown and described.

**DESCRIPTION**

FIG. 1 illustrates a bottom left perspective view of a lighting fixture;

FIG. 2 illustrates an exploded bottom left perspective view of the lighting fixture with a housing and a lighting portion shown disassembled;

FIG. 3 illustrates a top rear perspective view of the lighting fixture taken from above an unclaimed panel when the lighting fixture is installed;

FIG. 4 illustrates a front right view of the lighting fixture when installed in the unclaimed panel of FIG. 3, the front left view being a mirror image of FIG. 4;

FIG. 5 illustrates a top left perspective view of the housing of the lighting fixture, the top right view being a mirror image of FIG. 5;

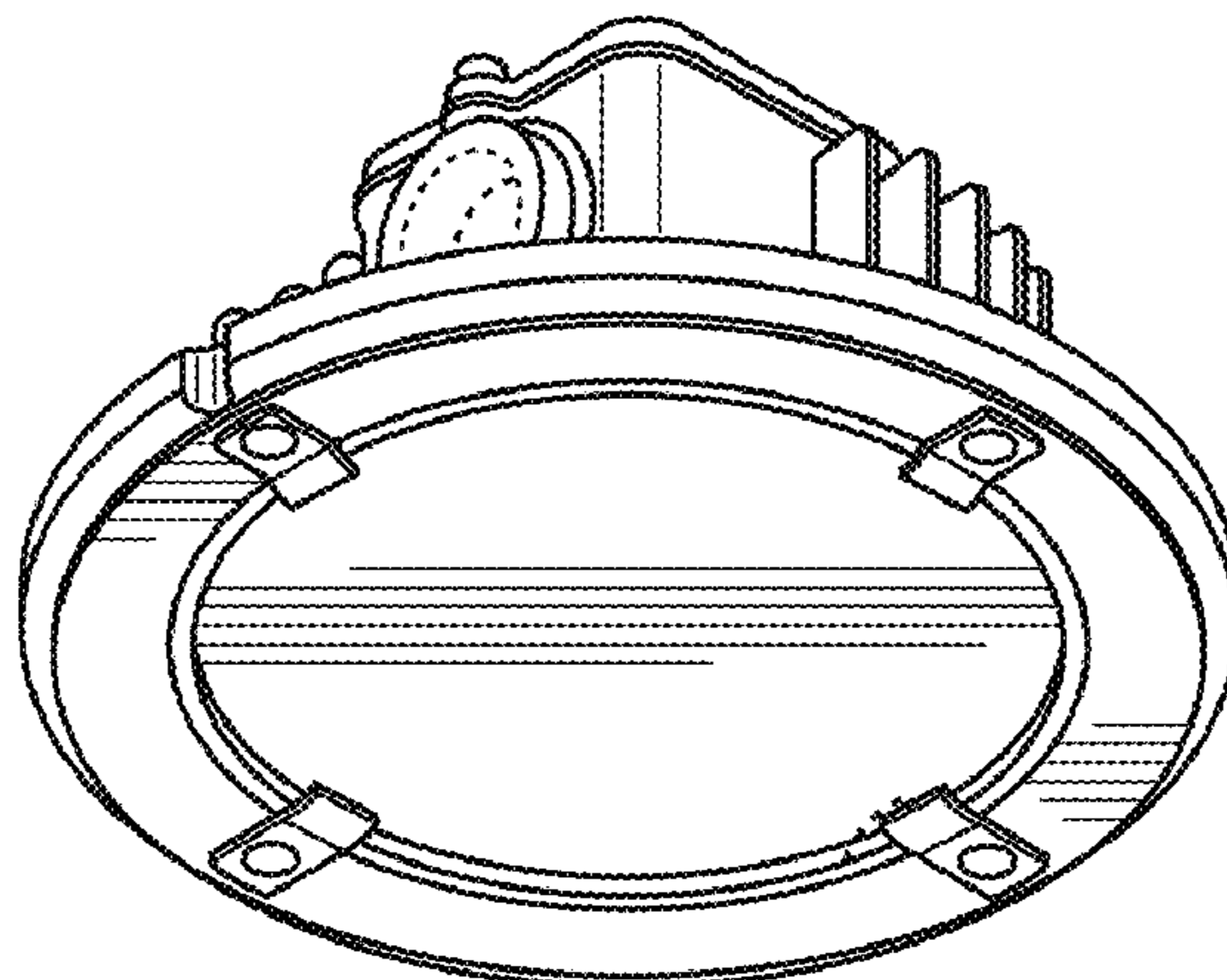
FIG. 6 illustrates a top view of the lighting portion;

FIG. 7 illustrates a side view of the lighting portion; and,

FIG. 8 illustrates a bottom view of the lighting portion.

The shade lines in the drawings show contour and transparency, and not ornamentation. The broken lines show portions of the lighting fixture and environment and do not form part of the claimed design.

**1 Claim, 3 Drawing Sheets**



(56)

**References Cited**

U.S. PATENT DOCUMENTS

9,797,562 B2 \* 10/2017 Dabiet ..... F21S 8/02  
D810,345 S \* 2/2018 Redfern ..... D26/74  
D820,494 S \* 6/2018 Cohen ..... D26/74  
2006/0198129 A1 9/2006 Hagen  
2006/0262544 A1 11/2006 Piepgras et al.  
2006/0262545 A1 11/2006 Piepgras et al.  
2007/0230186 A1 10/2007 Chien  
2008/0180961 A1 7/2008 Gibson et al.  
2010/0061097 A1 3/2010 Krogman

\* cited by examiner

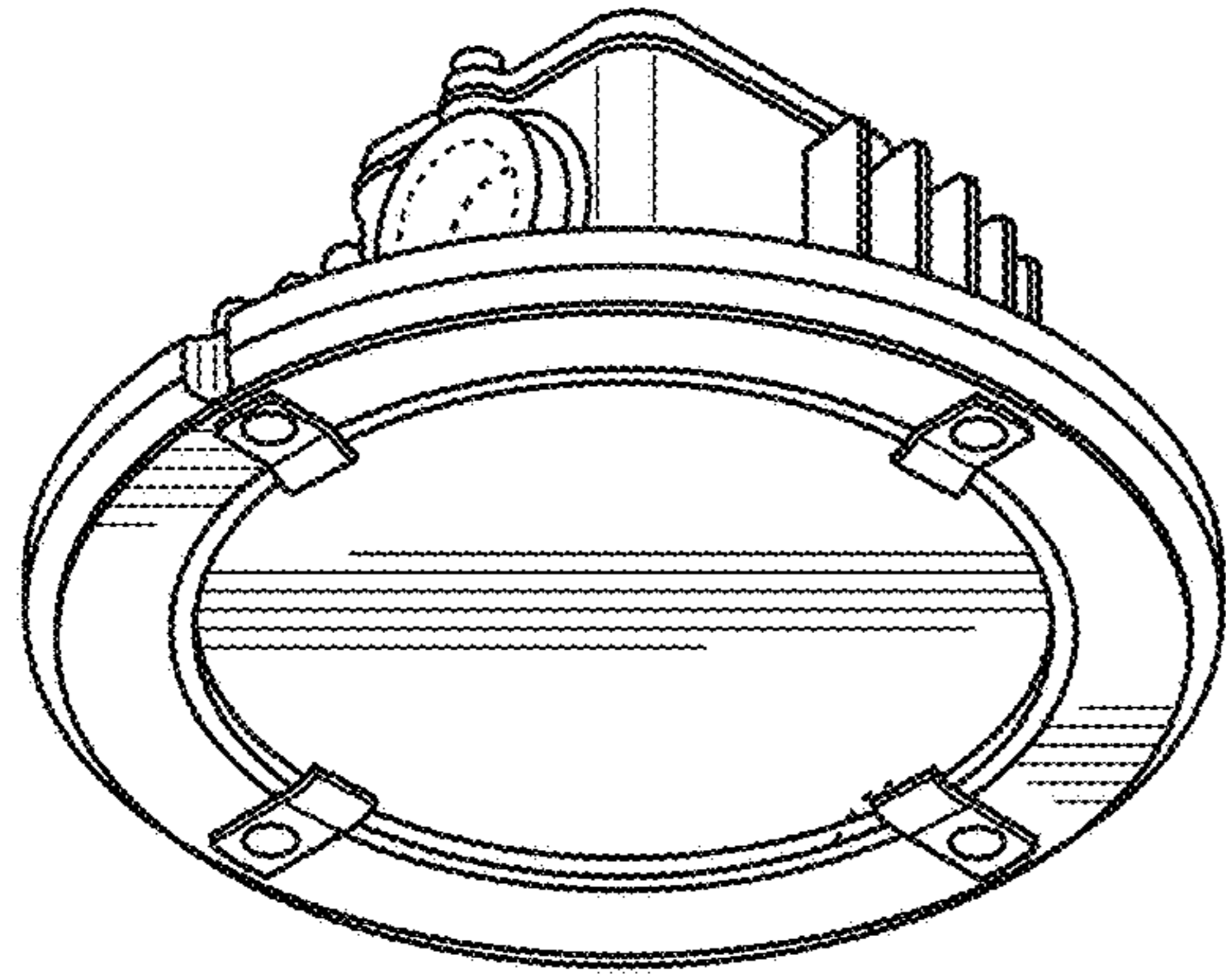


FIG. 1

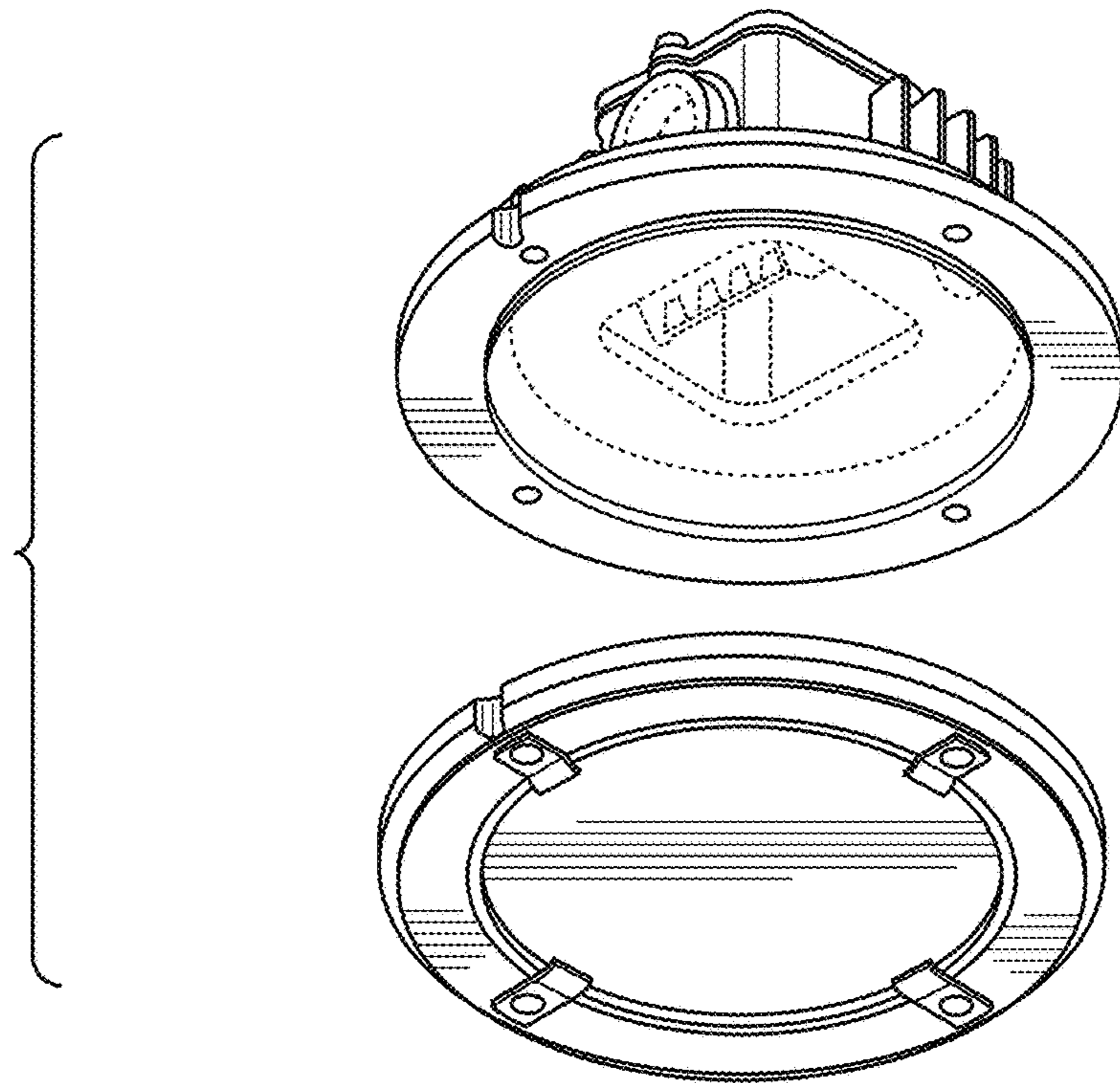


FIG. 2

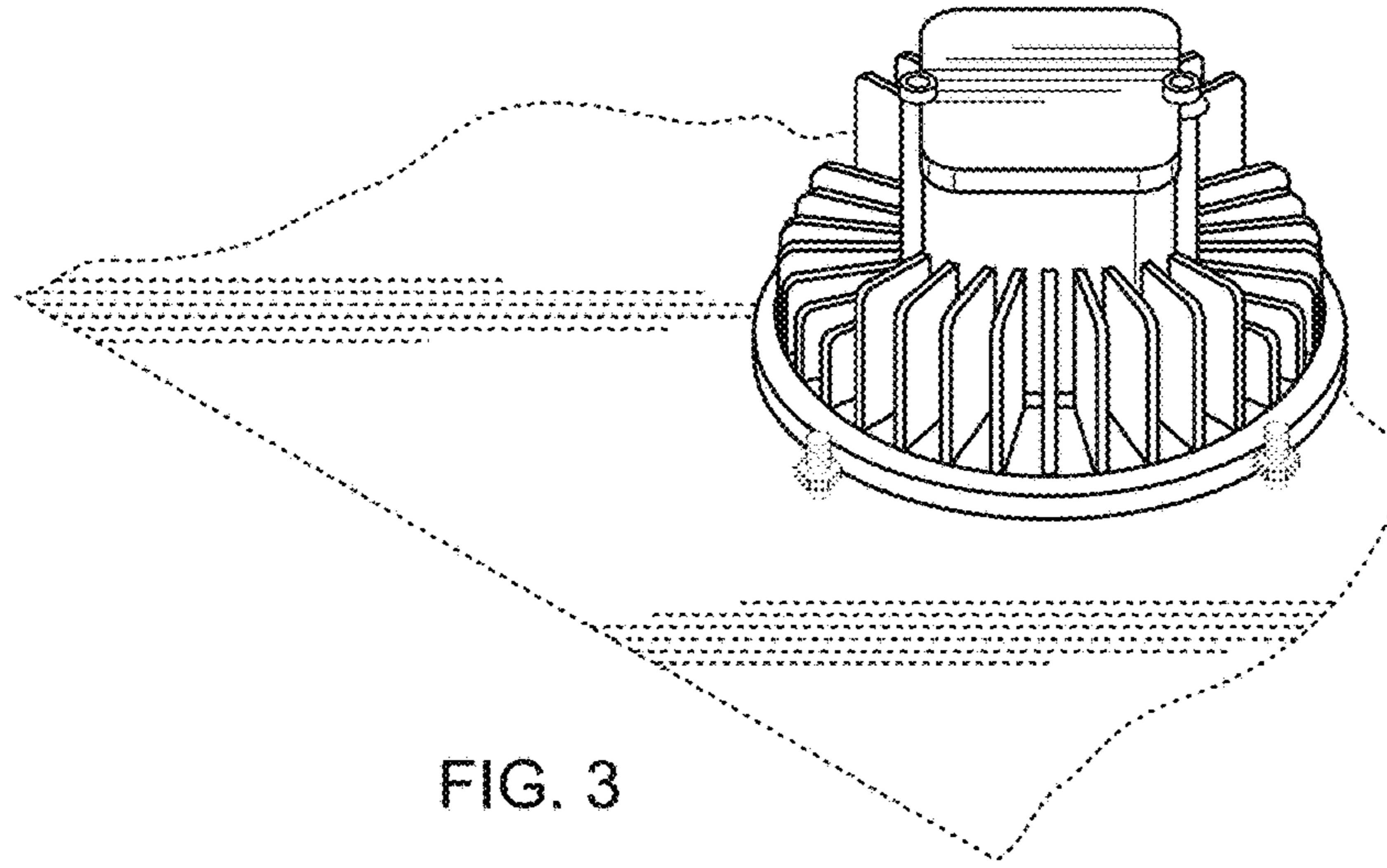


FIG. 3

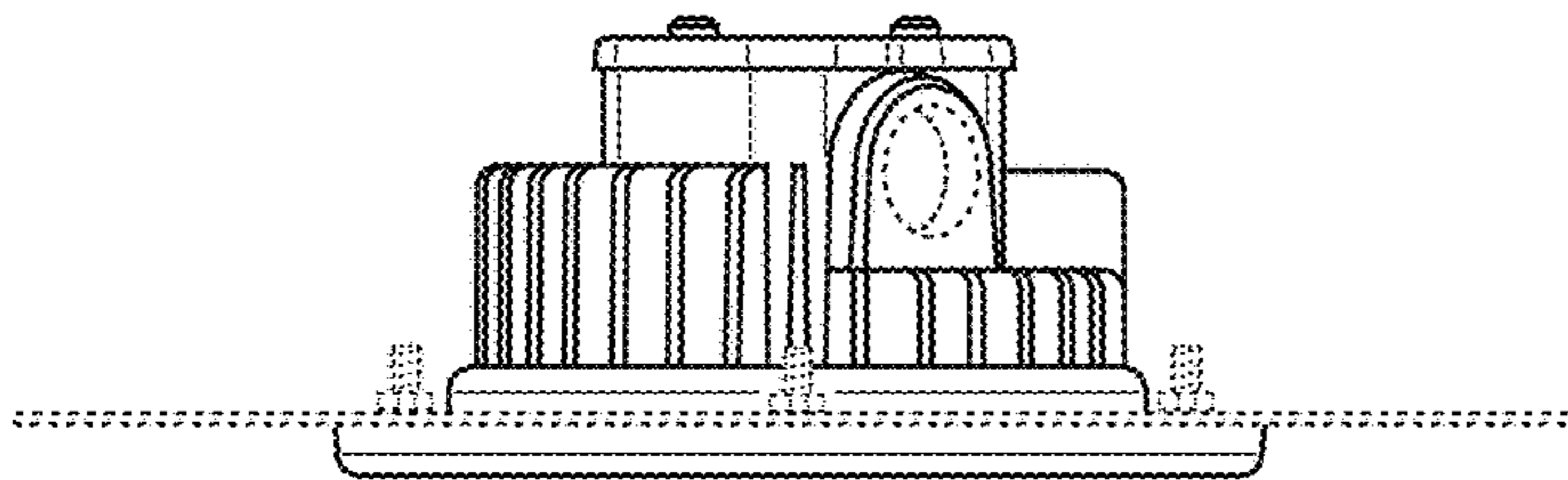


FIG. 4

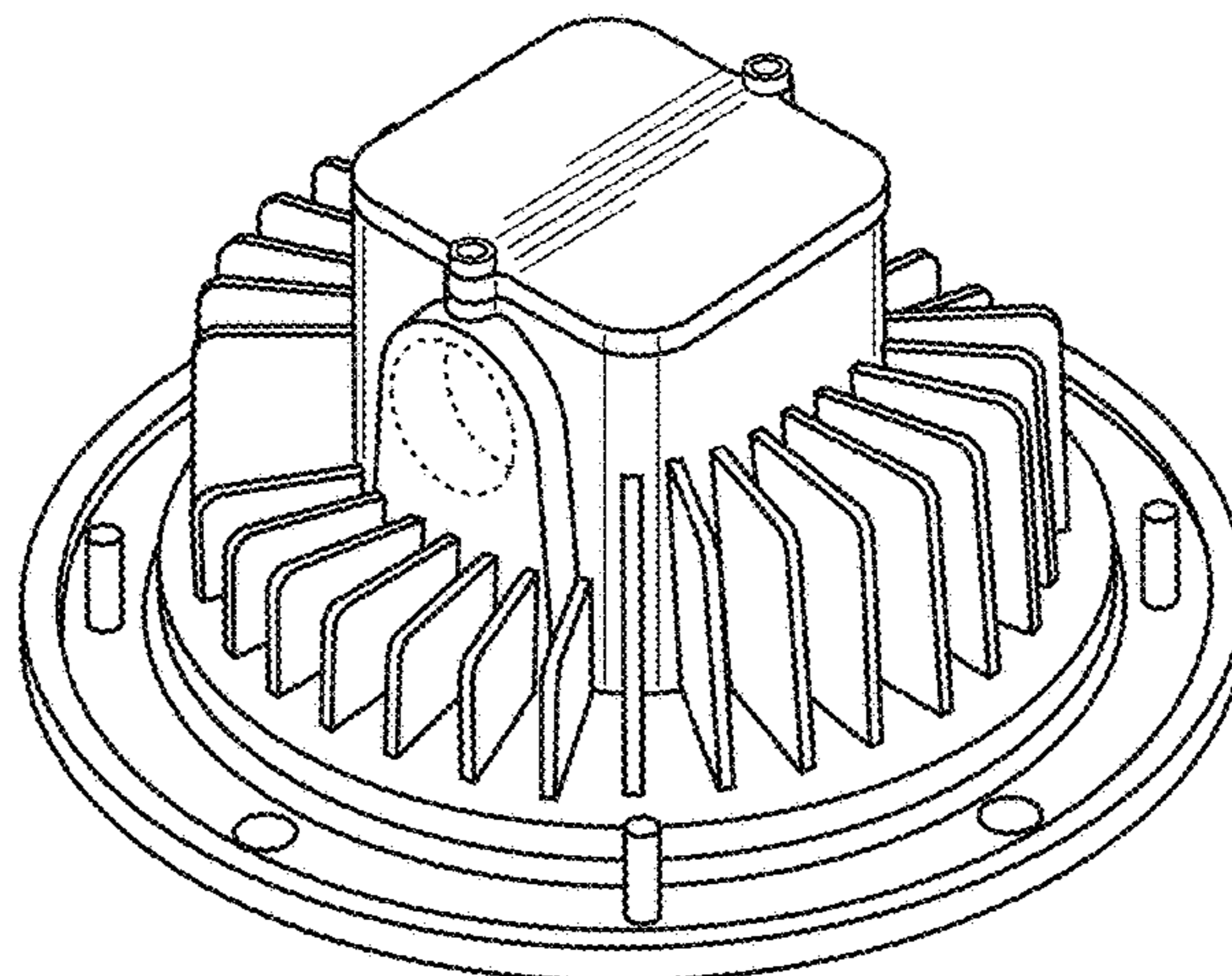


FIG. 5

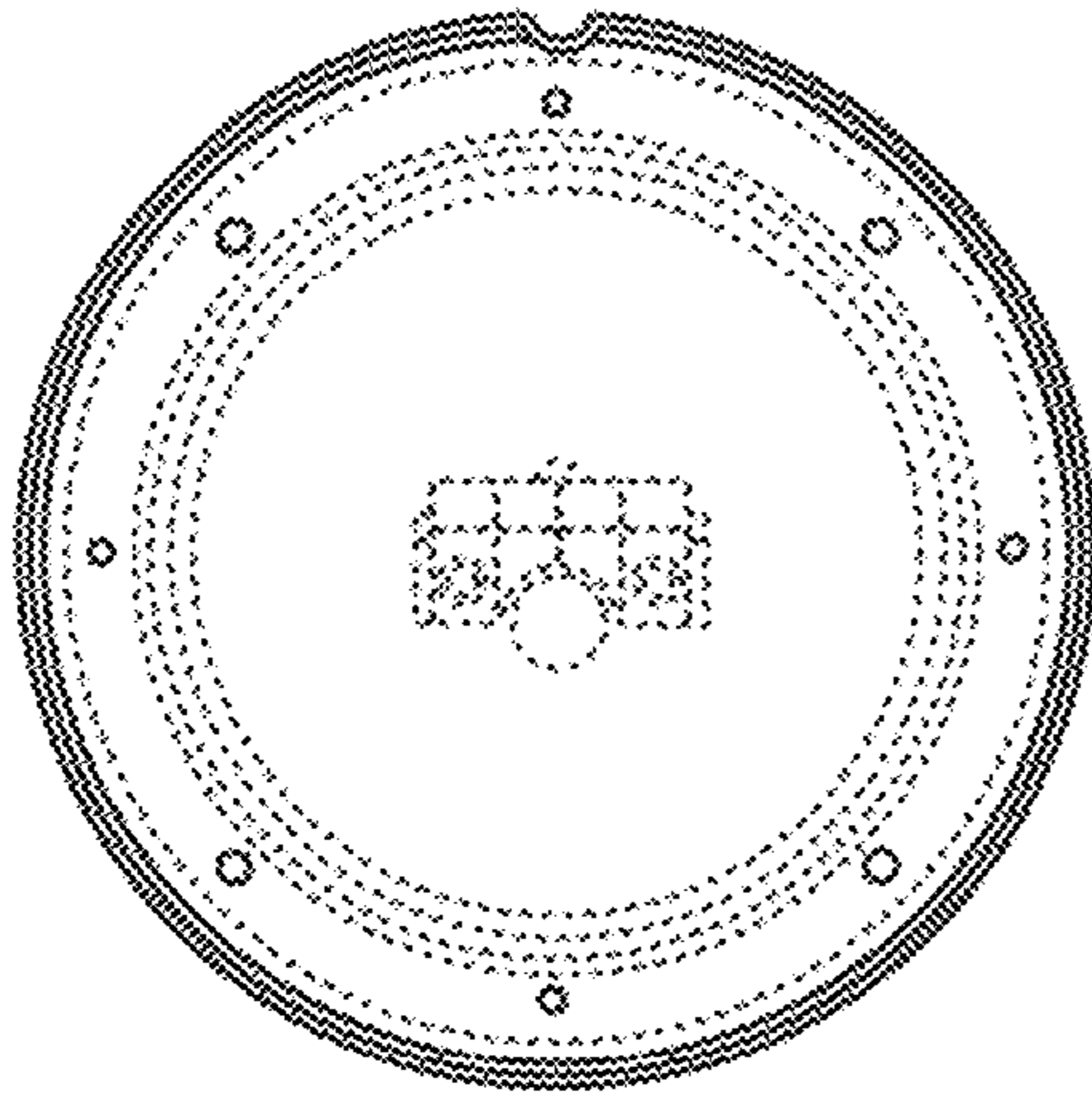


FIG. 6

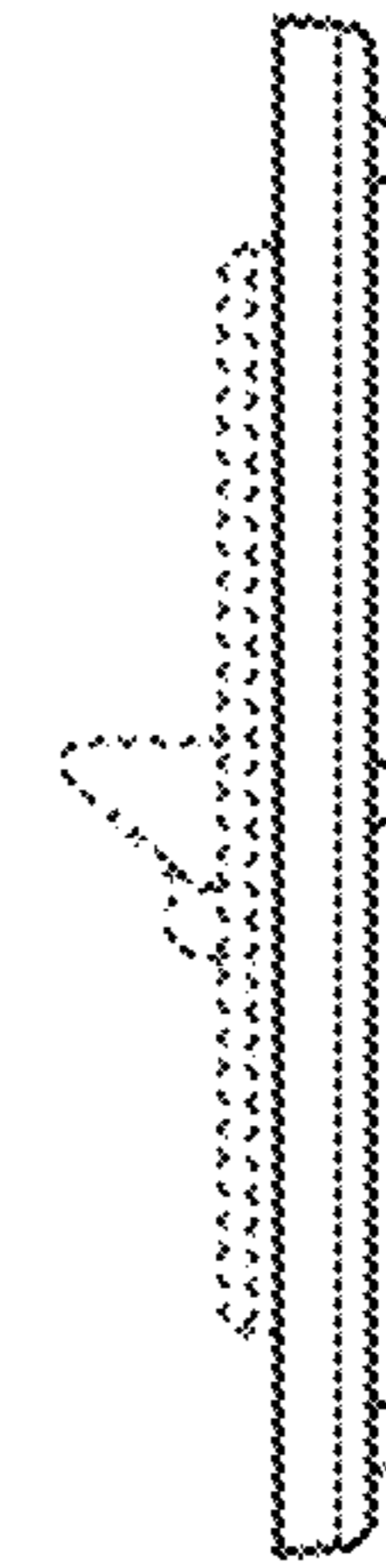


FIG. 7

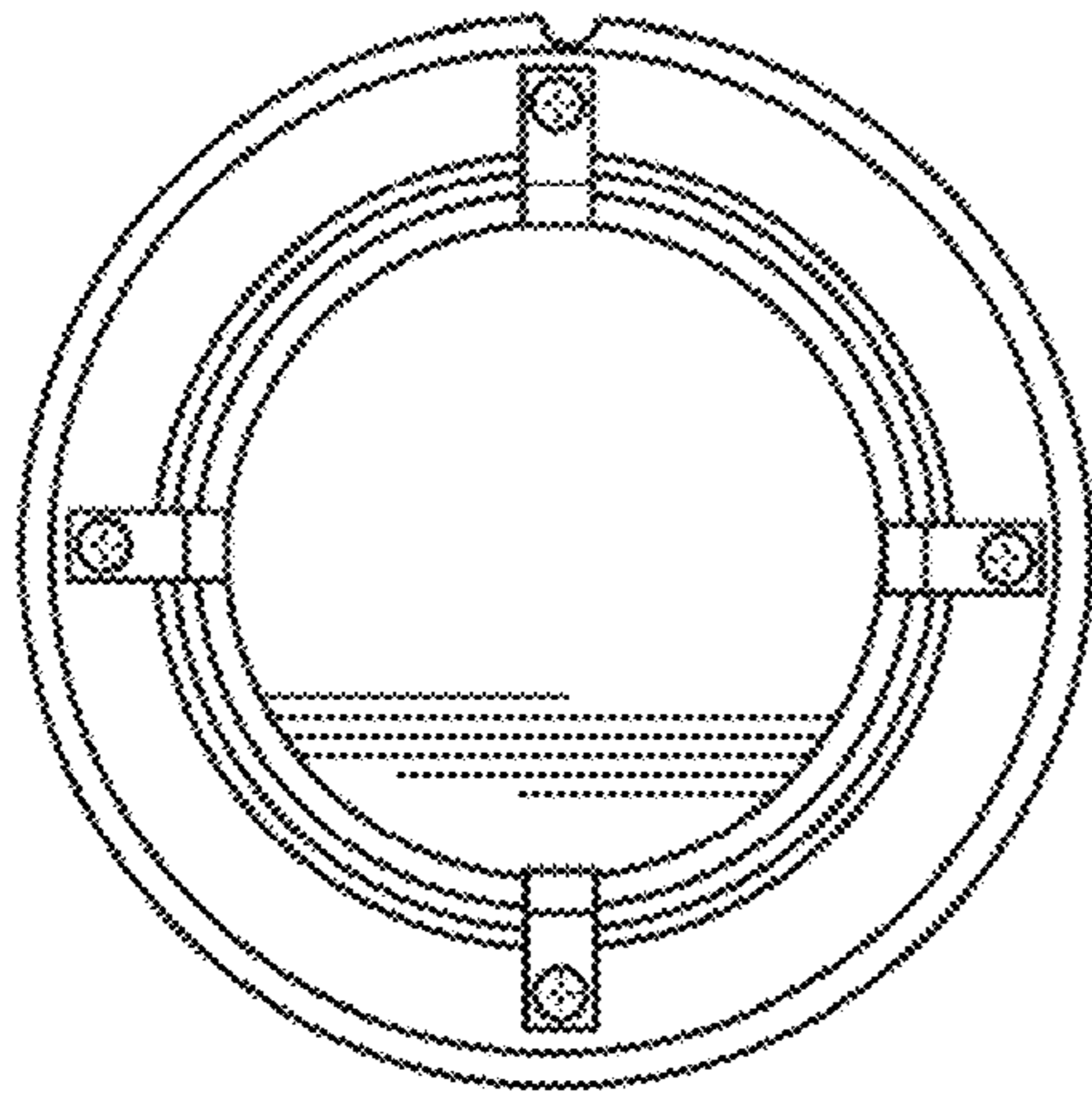


FIG. 8