



US00D850694S

(12) **United States Design Patent**
Pan

(10) **Patent No.:** **US D850,694 S**
(45) **Date of Patent:** **** Jun. 4, 2019**

(54) **LED LAMP**

(71) Applicant: **SHENZHEN SNC OPTO ELECTRONIC CO., LTD**, Shenzhen (CN)

(72) Inventor: **Nianhua Pan**, Shenzhen (CN)

(73) Assignee: **SHENZHEN SNC OPTO ELECTRONIC CO., LTD**, Shenzhen (CN)

(**) Term: **15 Years**

(21) Appl. No.: **29/645,096**

(22) Filed: **Apr. 24, 2018**

(51) **LOC (11) Cl.** **26-03**

(52) **U.S. Cl.**
USPC **D26/71**

(58) **Field of Classification Search**
USPC D26/51, 60-71, 76, 78, 80, 85-87, 92, D26/138

CPC F21S 8/036; F21S 8/038; F21S 8/43; F21S 8/81; F21S 8/83; F21S 8/85; F21S 8/86; F21S 8/88; F21S 9/03; F21S 9/035; F21S 9/037; F21S 10/063; F21S 13/10; F16L 19/00

See application file for complete search history.

(56) **References Cited**

U.S. PATENT DOCUMENTS

7,430,811 B2 * 10/2008 Williams F16L 19/00 285/93
D636,920 S * 4/2011 Boissevain D26/71

D670,856 S * 11/2012 Butler D26/138
D670,857 S * 11/2012 Butler D26/138
D672,492 S * 12/2012 Butler D26/71
D715,984 S * 10/2014 Durdle D26/71
D743,083 S * 11/2015 Bembridge D26/71
D765,298 S * 8/2016 Frisee D26/71
D810,985 S * 2/2018 McCracken, Jr. D26/71
D819,859 S * 6/2018 Zou D26/71
D826,448 S * 8/2018 Wan D26/71
D838,027 S * 1/2019 Bobel D26/71

* cited by examiner

Primary Examiner — Brian N. Vinson

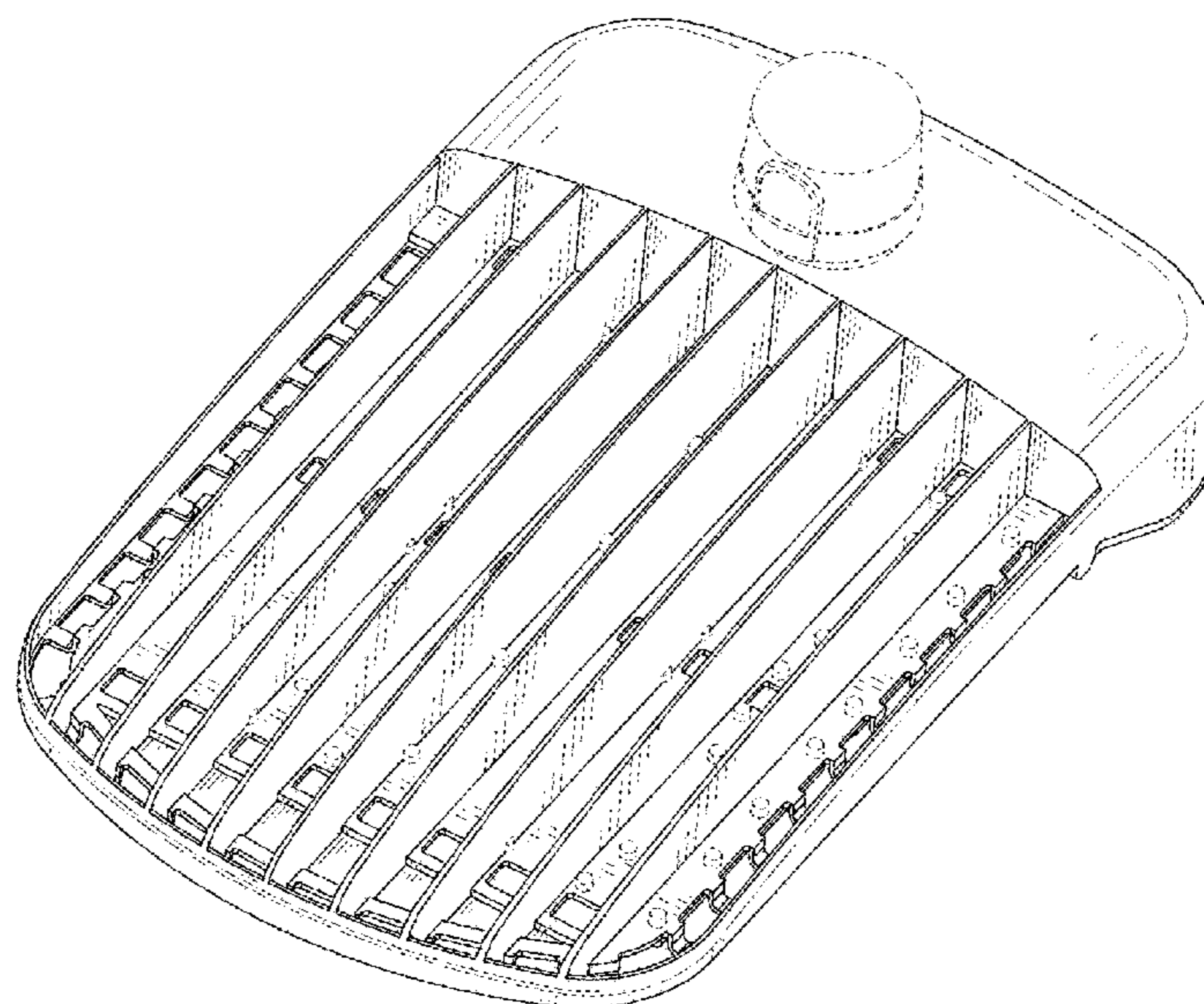
(57) **CLAIM**

The ornamental design for a LED lamp, as shown and described.

DESCRIPTION

FIG. 1 is a perspective view of the LED lamp showing my new design;
FIG. 2 is similar to FIG. 1, viewed from another aspect;
FIG. 3 is a front elevational view thereof;
FIG. 4 is a rear elevational view thereof;
FIG. 5 is a left side elevational view thereof;
FIG. 6 is a right side elevational view thereof;
FIG. 7 is a top plan view thereof; and,
FIG. 8 is a bottom plan view thereof.
The broken-line disclosure represents portions of the lamp which form no part of the claimed design.

1 Claim, 8 Drawing Sheets



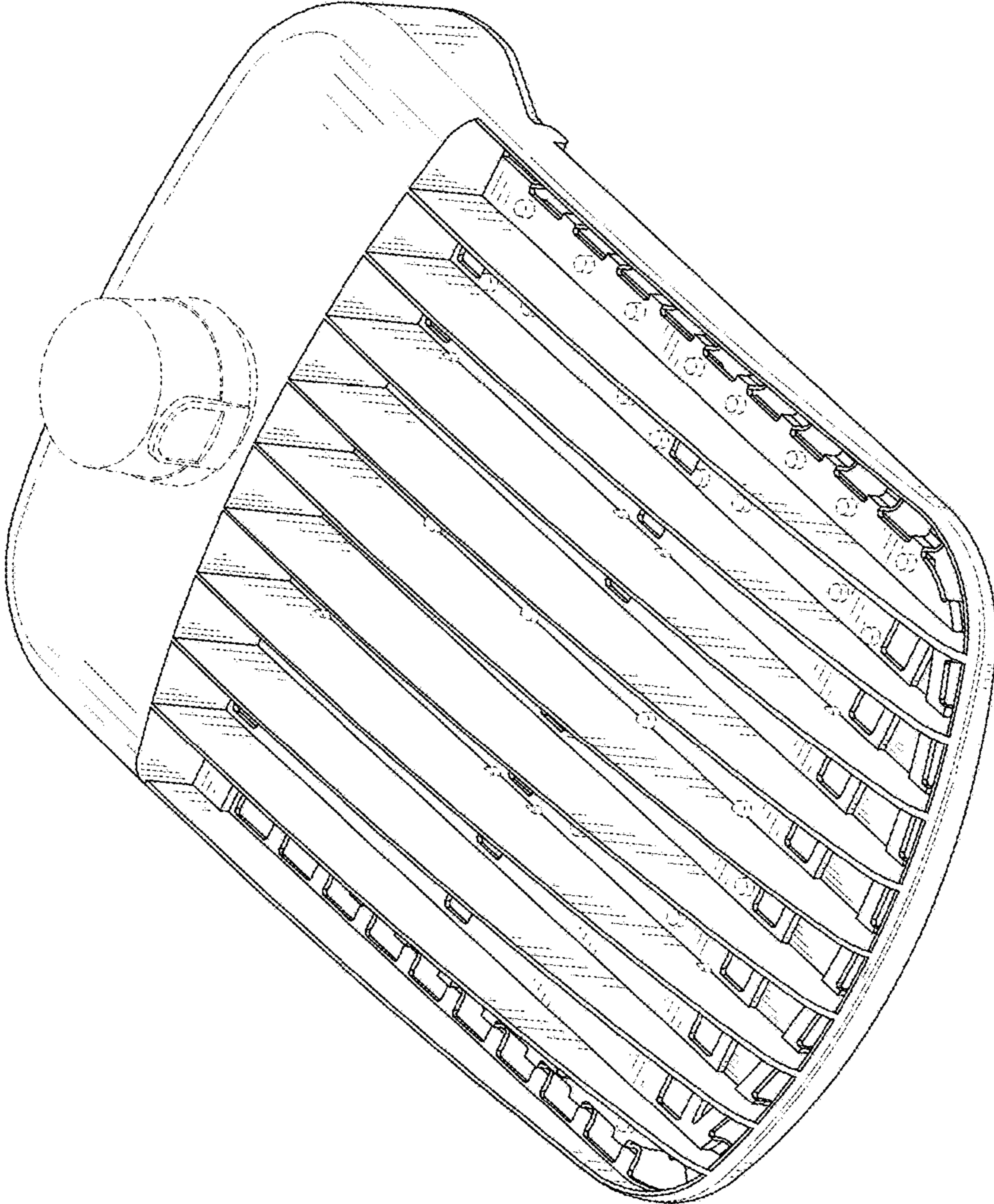


FIG. 1

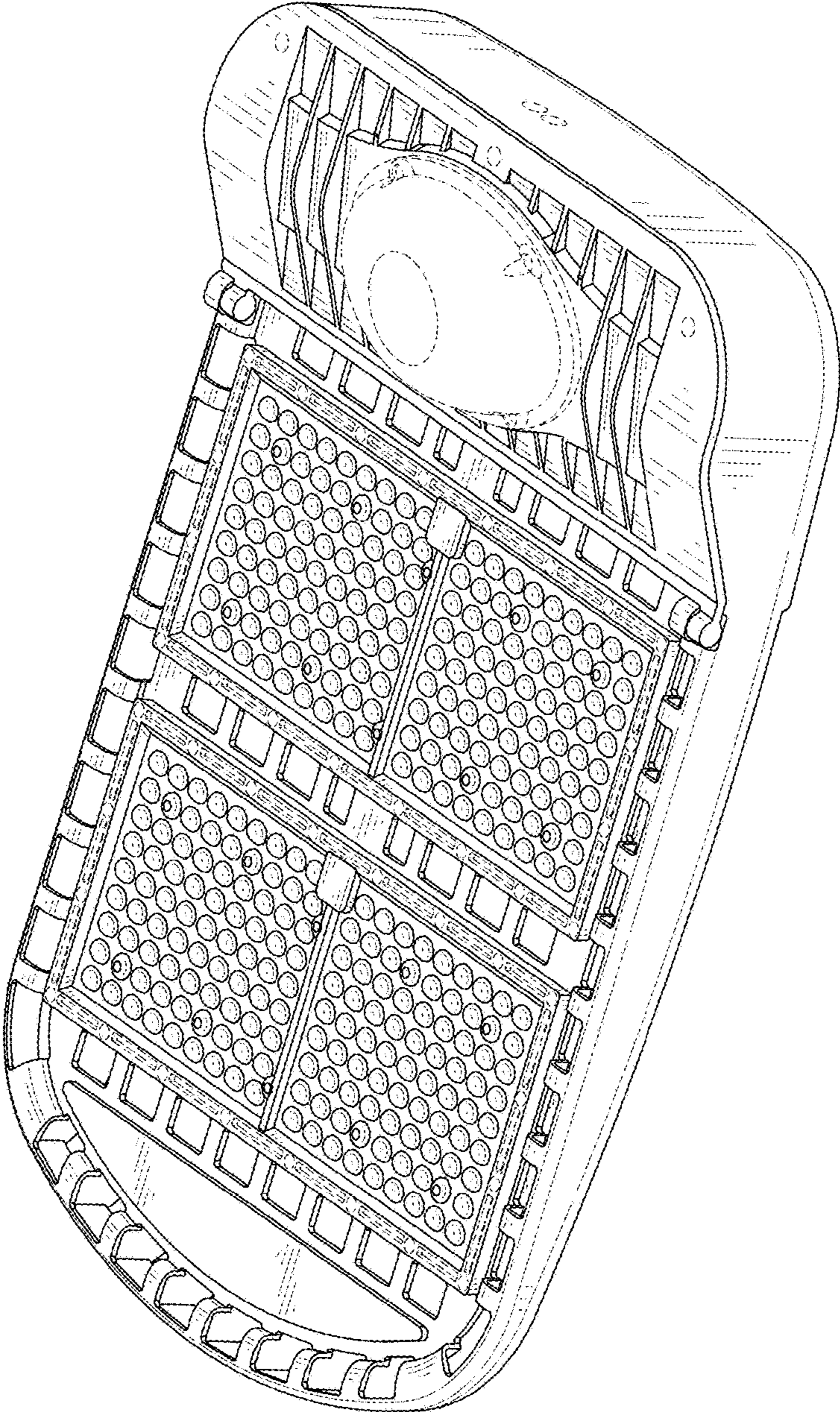


FIG. 2

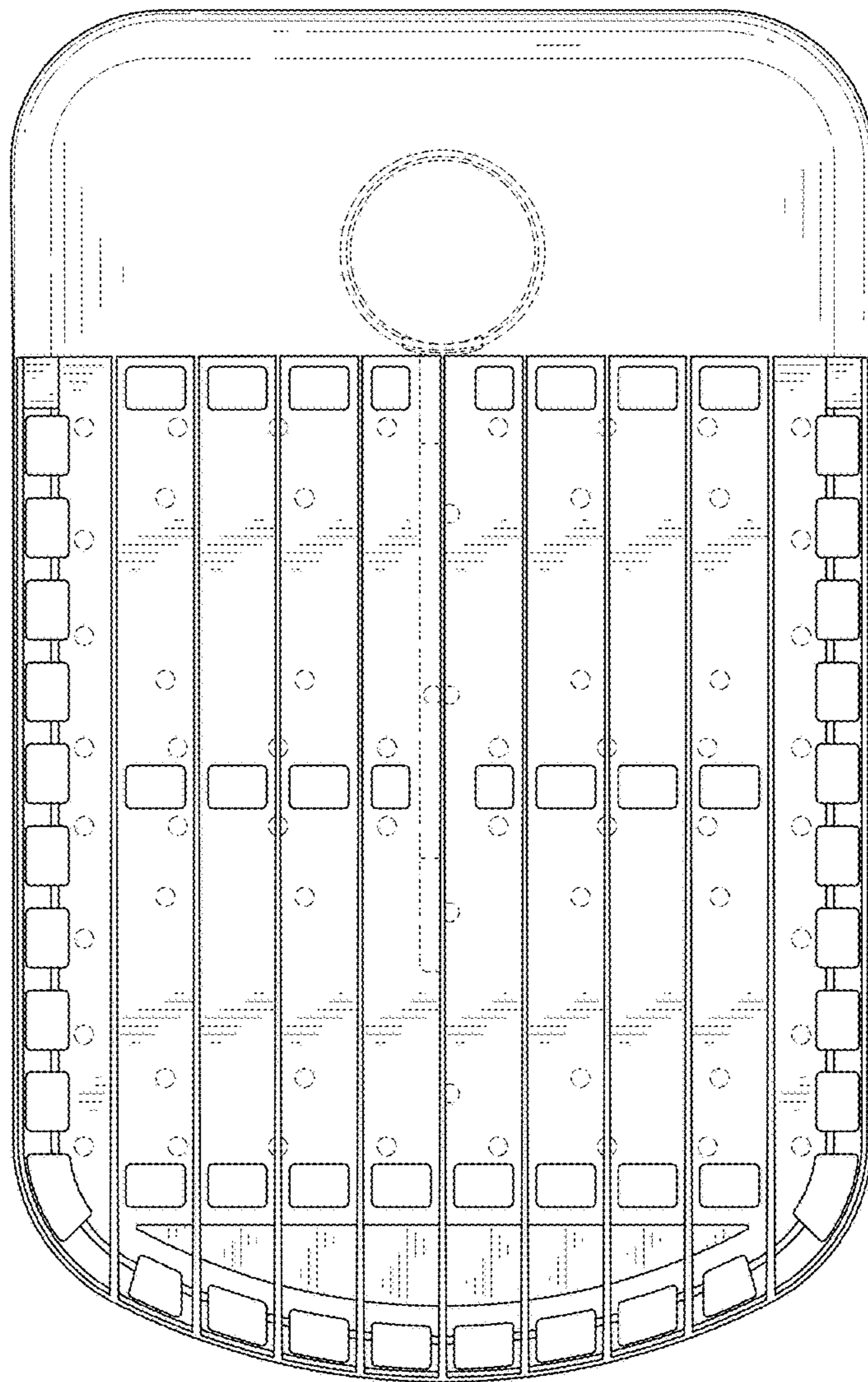


FIG. 3

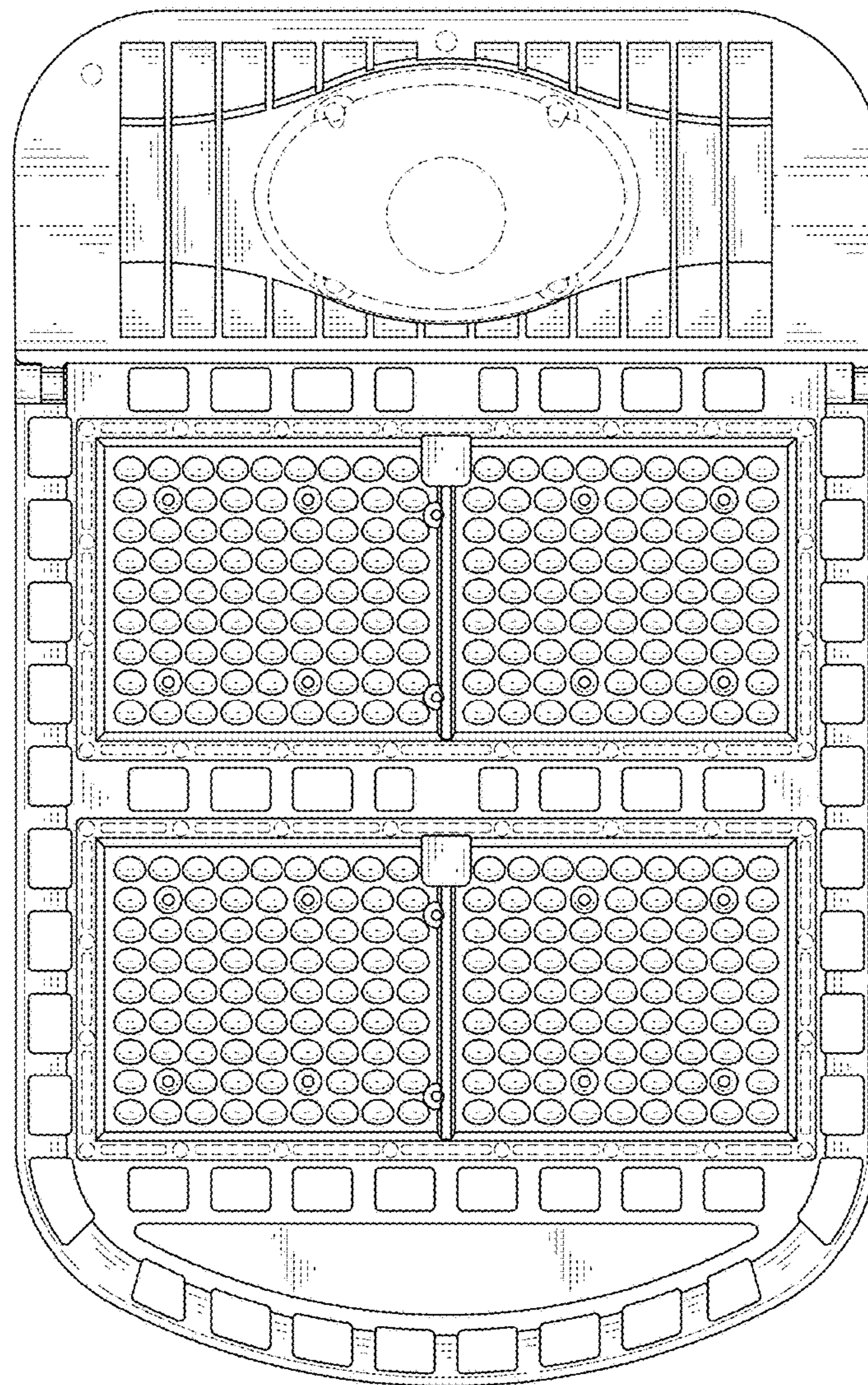


FIG. 4

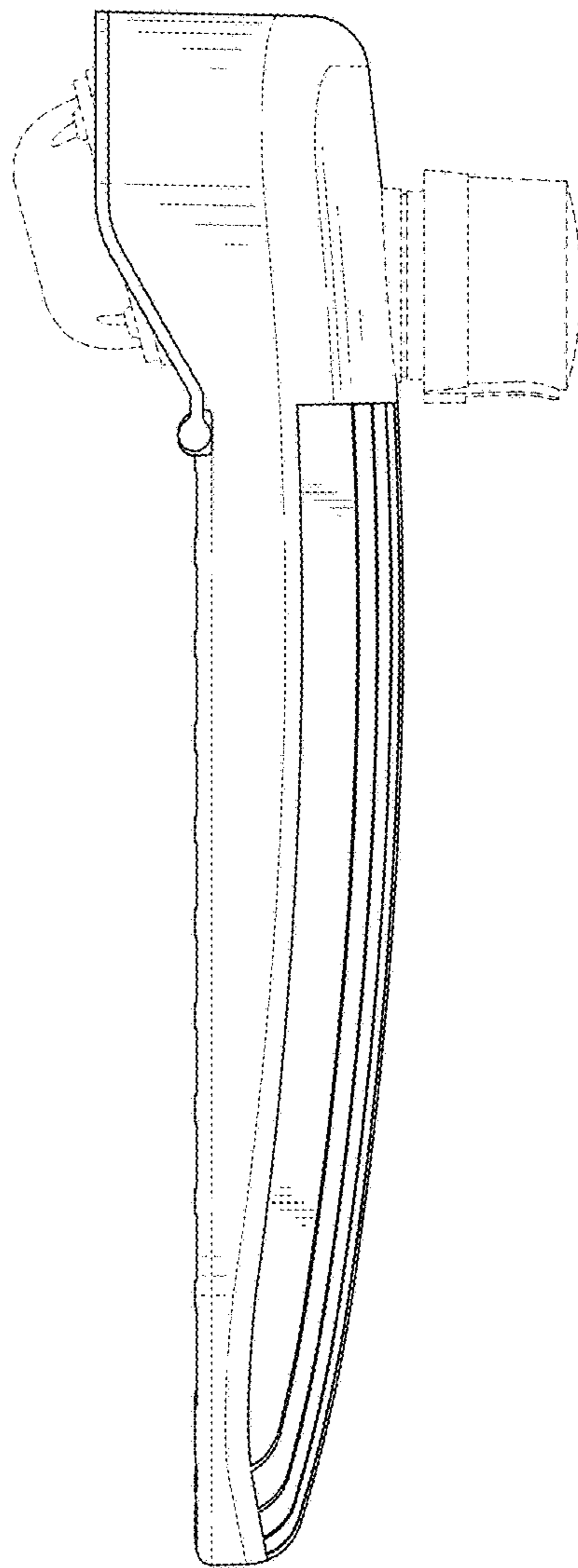


FIG. 5

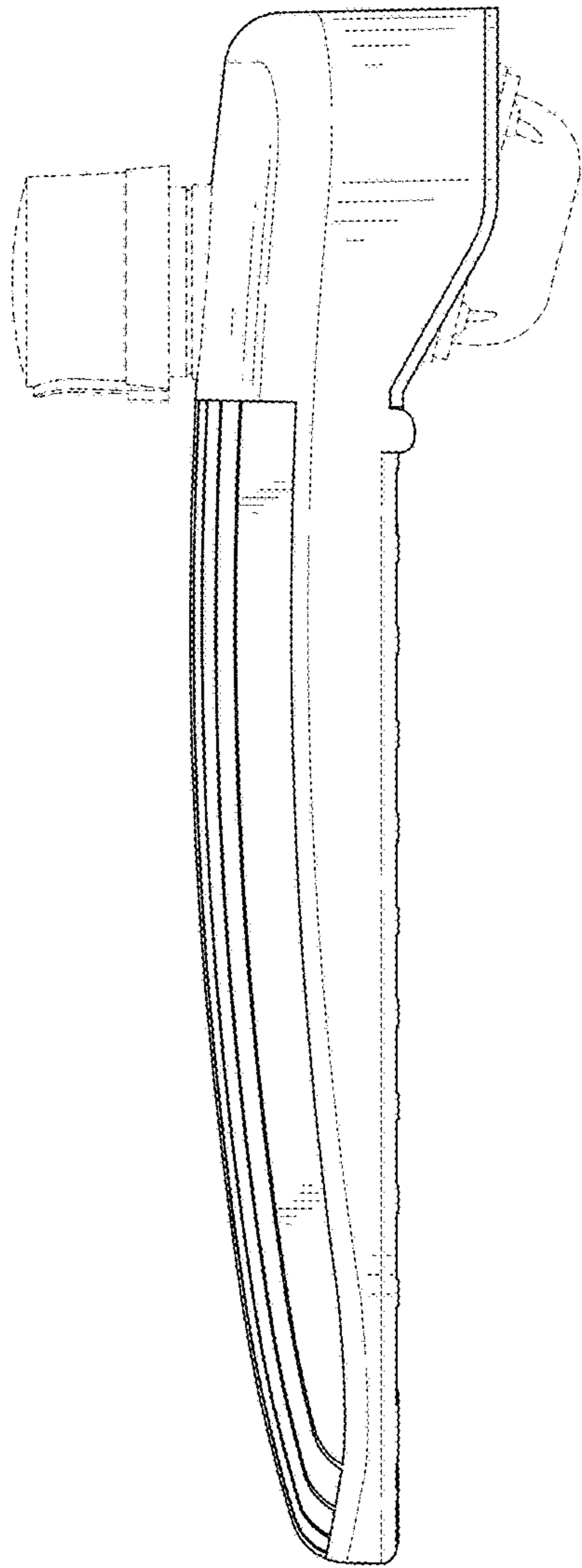


FIG. 6

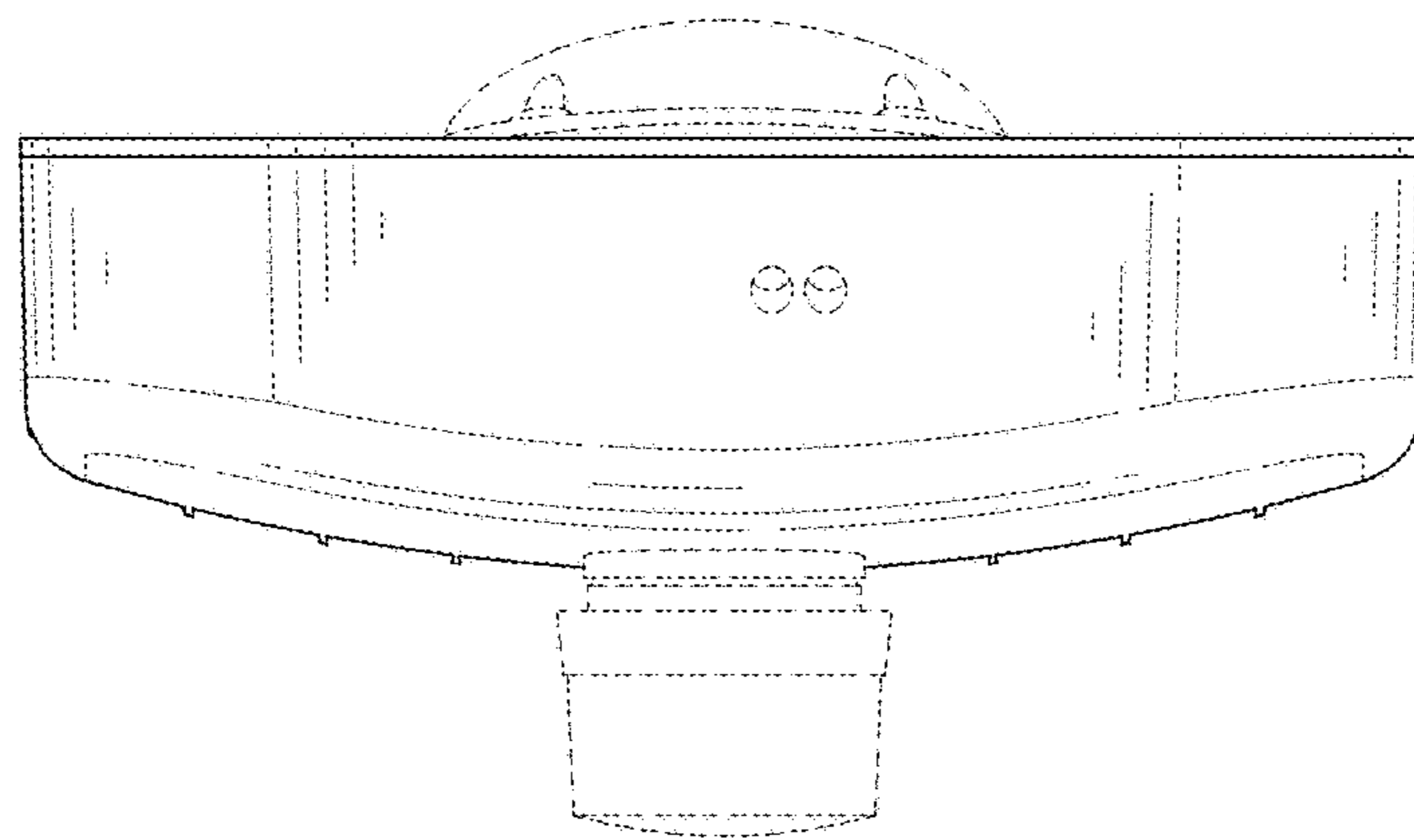


FIG. 7

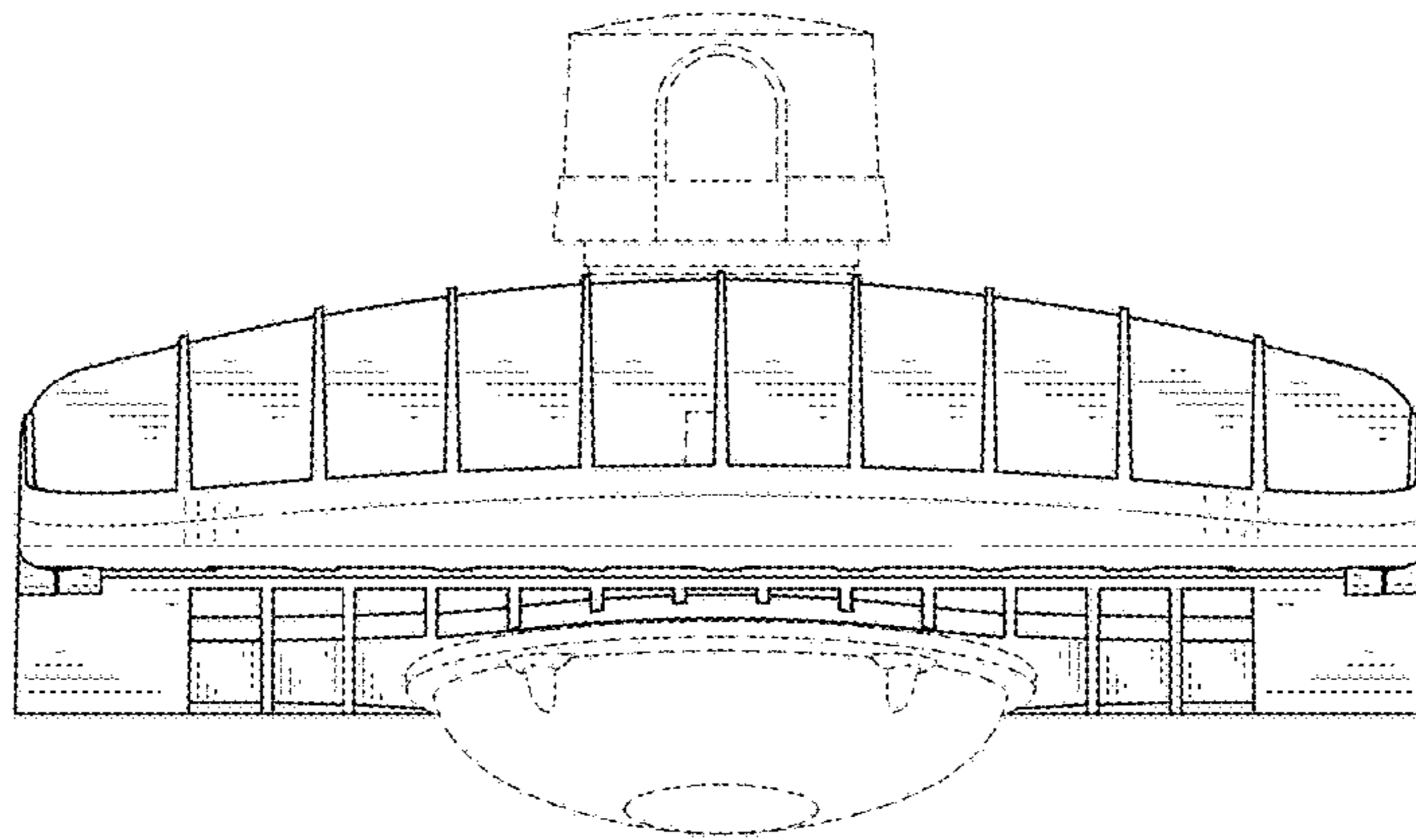


FIG. 8