



US00D850693S

(12) **United States Design Patent**  
**Pan**

(10) **Patent No.:** **US D850,693 S**

(45) **Date of Patent:** **\*\* Jun. 4, 2019**

(54) **LED LAMP**

(71) Applicant: **SHENZHEN SNC OPTO ELECTRONIC CO., LTD**, Shenzhen (CN)

(72) Inventor: **Nianhua Pan**, Shenzhen (CN)

(73) Assignee: **SHENZHEN SNC OPTO ELECTRONIC CO., LTD**, Shenzhen (CN)

(\*\*) Term: **15 Years**

(21) Appl. No.: **29/645,095**

(22) Filed: **Apr. 24, 2018**

(51) **LOC (11) Cl.** ..... **26-03**

(52) **U.S. Cl.**  
USPC ..... **D26/71**

(58) **Field of Classification Search**  
USPC ..... D26/51, 60-71, 76, 78, 80, 85-87, 92, D26/138

CPC .... F21S 8/036; F21S 8/038; F21S 8/43; F21S 8/81; F21S 8/83; F21S 8/85; F21S 8/86; F21S 8/88; F21S 9/03; F21S 9/035; F21S 9/037; F21S 10/063; F21S 13/10; F16L 19/00

See application file for complete search history.

(56) **References Cited**

**U.S. PATENT DOCUMENTS**

7,430,811 B2 \* 10/2008 Williams ..... F16L 19/00 285/93  
D636,920 S \* 4/2011 Boissevain ..... D26/71

D670,856 S \* 11/2012 Butler ..... D26/138  
D670,857 S \* 11/2012 Butler ..... D26/138  
D672,492 S \* 12/2012 Butler ..... D26/71  
D715,984 S \* 10/2014 Durdle ..... D26/71  
D743,083 S \* 11/2015 Bembridge ..... D26/71  
D765,298 S \* 8/2016 Frisee ..... D26/71  
D810,985 S \* 2/2018 McCracken, Jr. .... D26/71  
D819,859 S \* 6/2018 Zou ..... D26/71  
D826,448 S \* 8/2018 Wan ..... D26/71  
D838,027 S \* 1/2019 Bobel ..... D26/71

\* cited by examiner

*Primary Examiner* — Brian N. Vinson

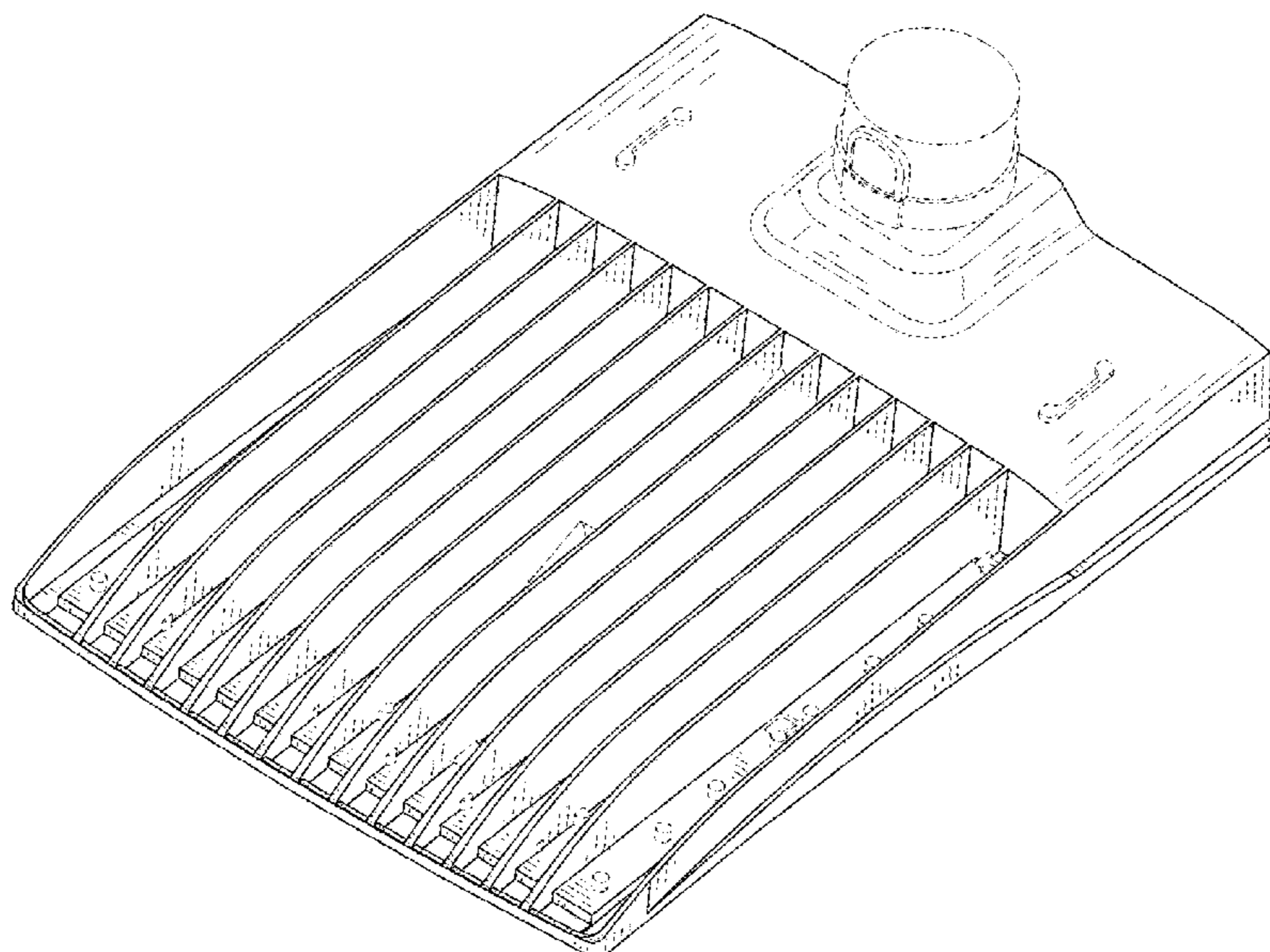
(57) **CLAIM**

The ornamental design for a LED lamp, as shown and described.

**DESCRIPTION**

FIG. 1 is a perspective view of the LED lamp showing my new design;  
FIG. 2 is similar to FIG. 1, viewed from another aspect;  
FIG. 3 is a front elevational view thereof;  
FIG. 4 is a rear elevational view thereof;  
FIG. 5 is a left side elevational view thereof;  
FIG. 6 is a right side elevational view thereof;  
FIG. 7 is a top plan view thereof; and,  
FIG. 8 is a bottom plan view thereof.  
The broken-line disclosure represents portions of the lamp which form no part of the claimed design.

**1 Claim, 8 Drawing Sheets**



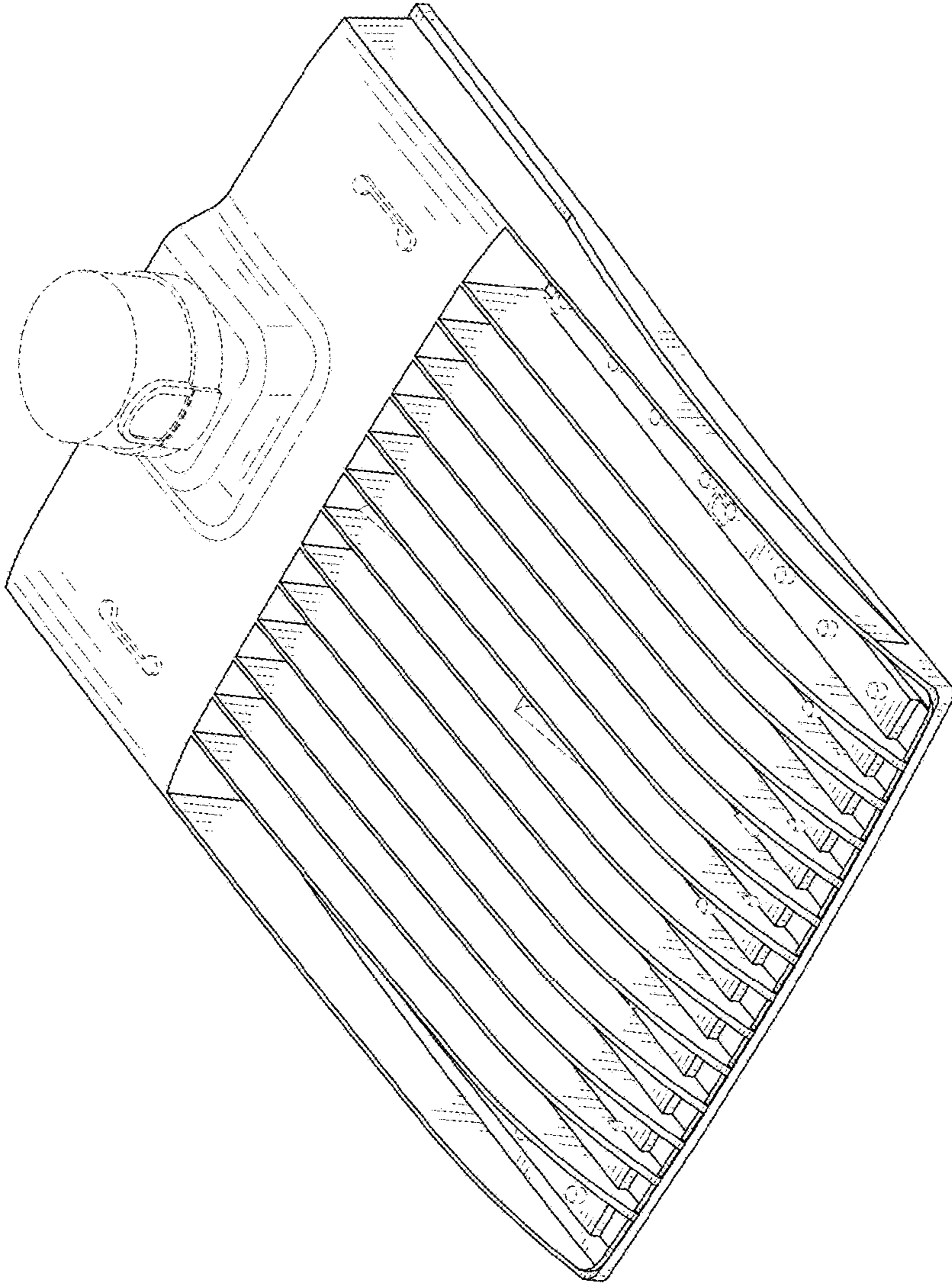


FIG. 1

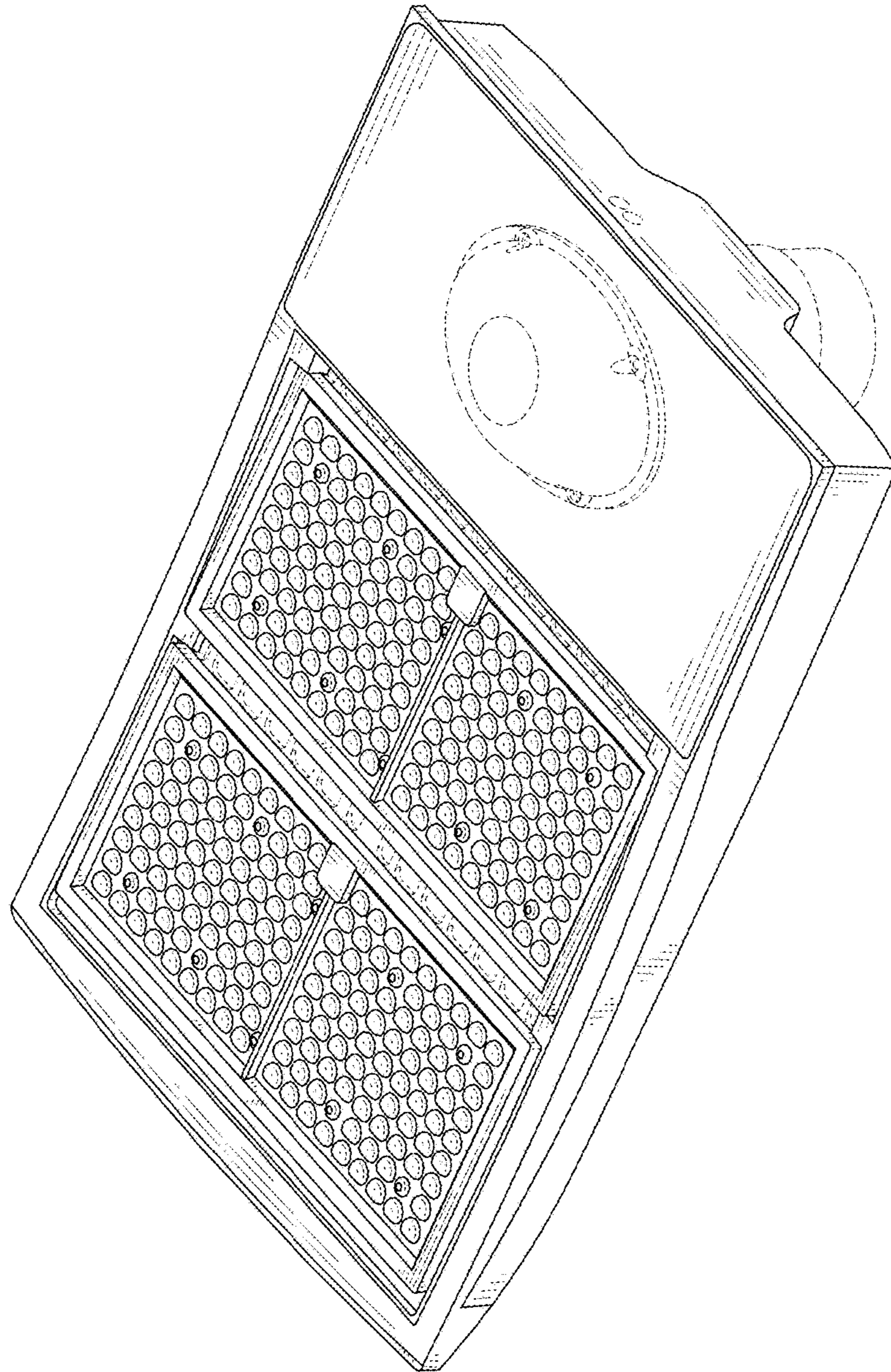


FIG. 2

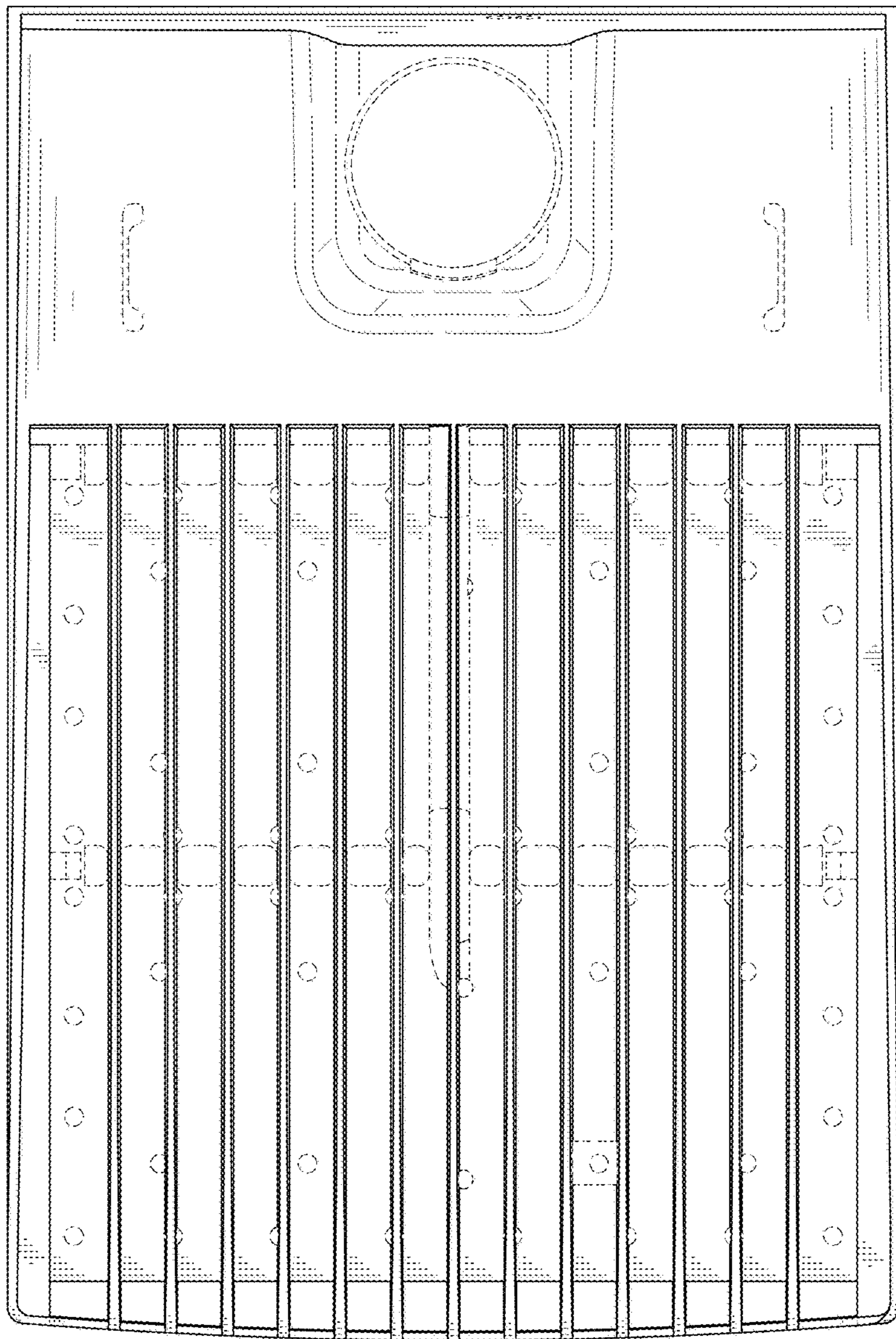


FIG. 3

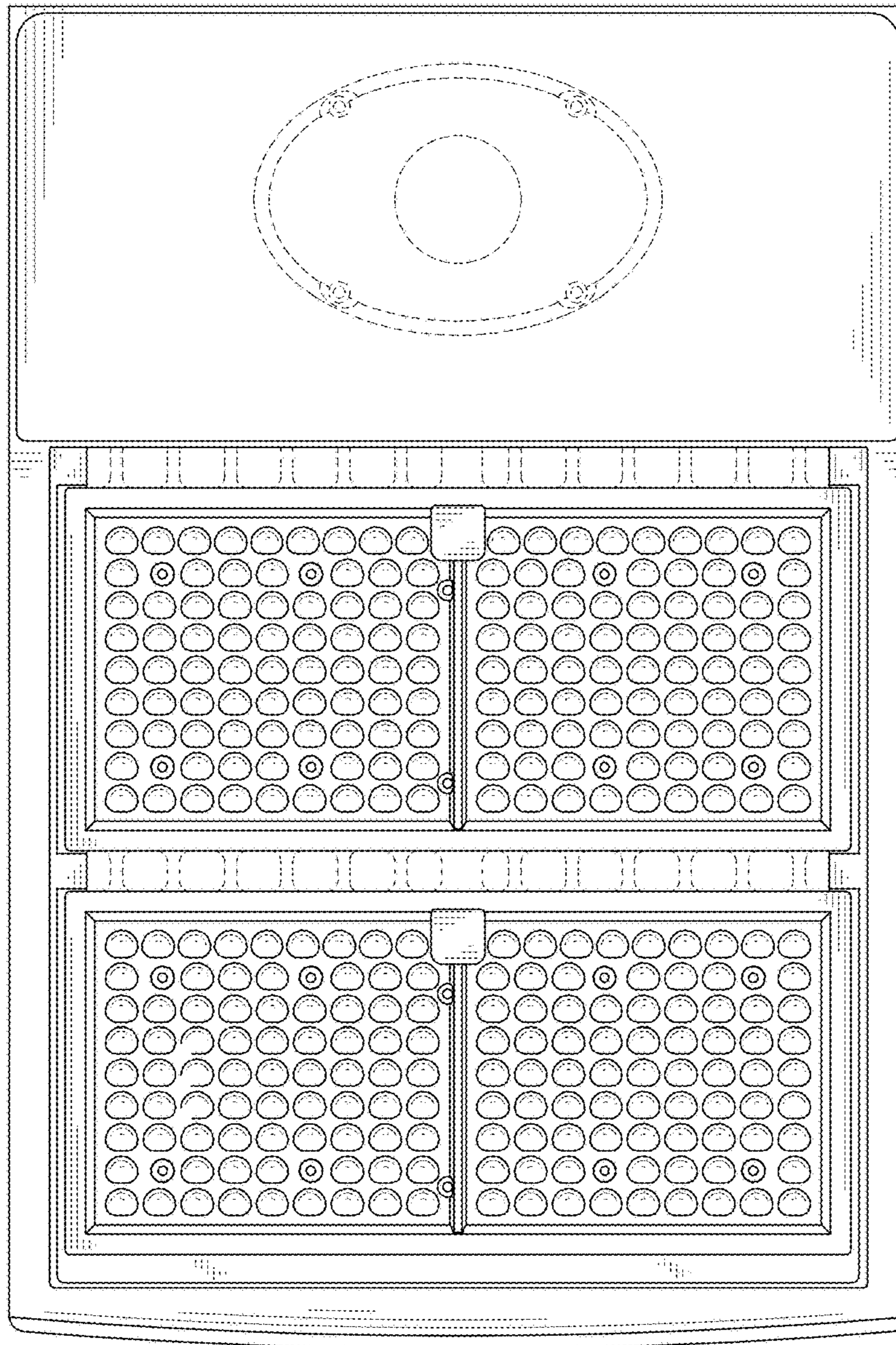


FIG. 4

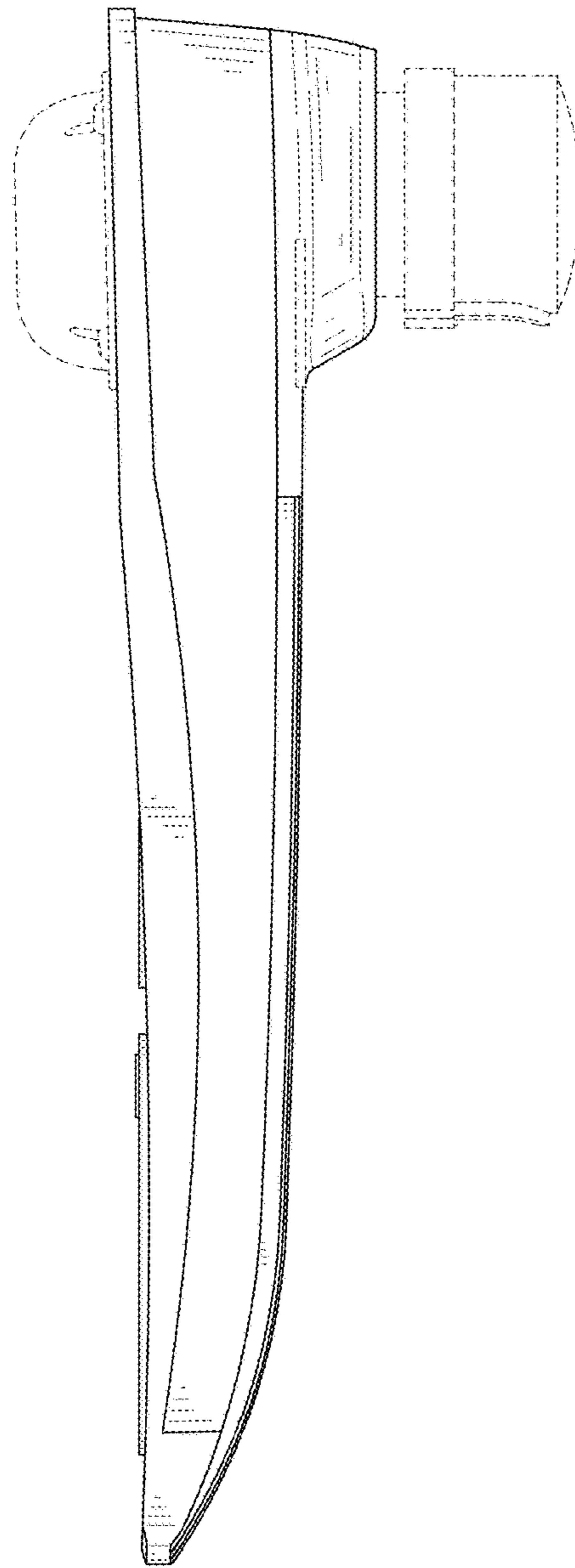


FIG. 5

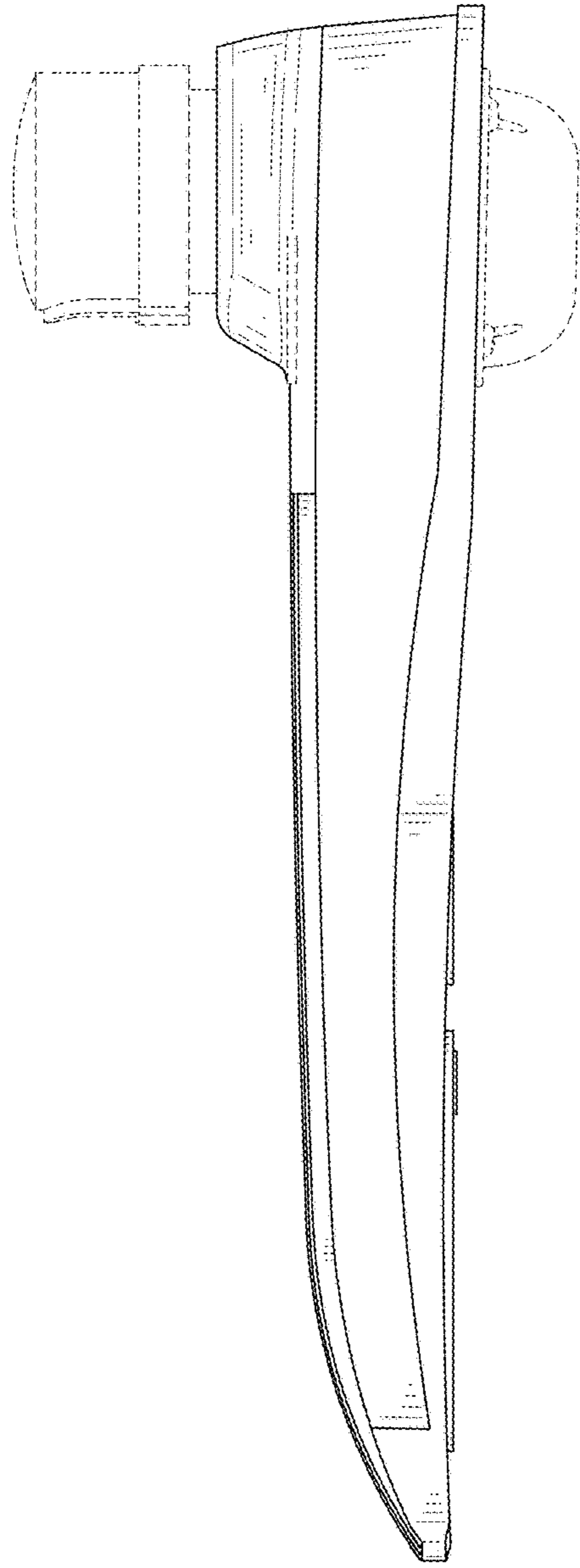


FIG. 6

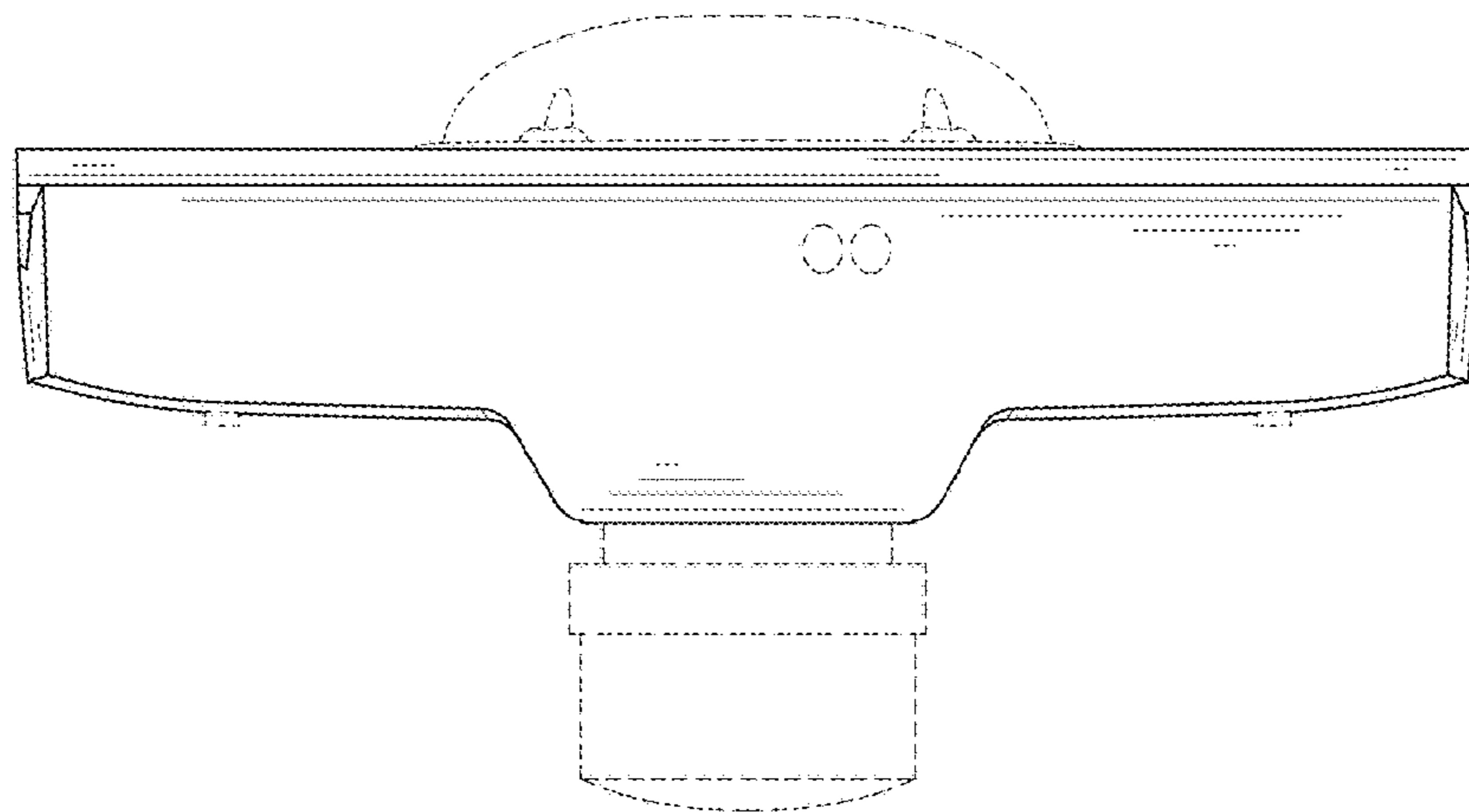


FIG. 7



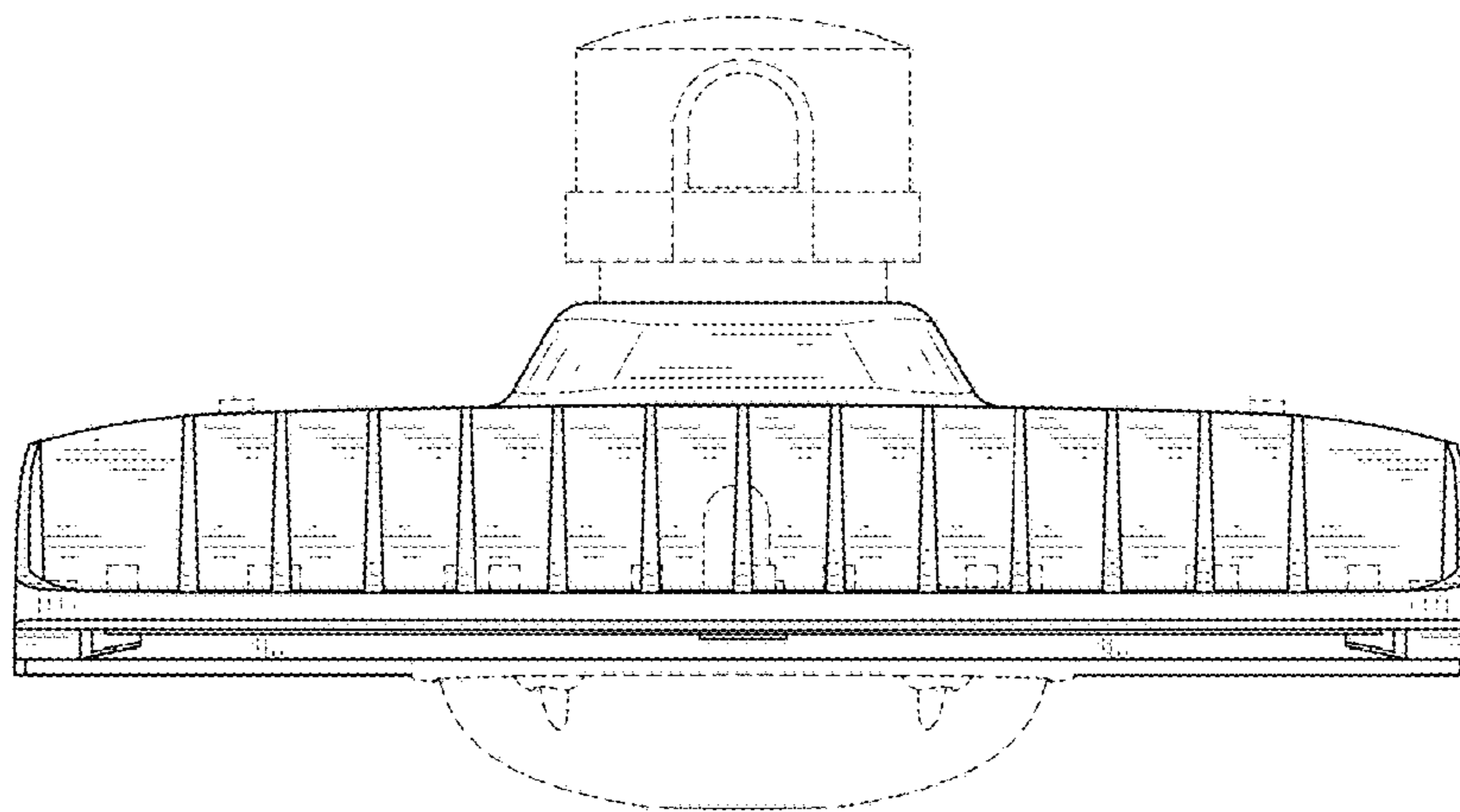


FIG. 8