



US00D850692S

(12) **United States Design Patent**
Bai et al.

(10) **Patent No.:** **US D850,692 S**
(45) **Date of Patent:** **** Jun. 4, 2019**

(54) **STREET LAMP BODY**
(71) Applicant: **SOCREAT ELECTRONICS TECHNOLOGY LIMITED**, Shenzhen (CN)
(72) Inventors: **JunWu Bai**, Shenzhen (CN); **Jie Xiong**, Shenzhen (CN); **ZhiWei Li**, Shenzhen (CN); **ZhiQiang Xu**, Shenzhen (CN)

D199,367 S *	10/1964	Wierzbicki	D26/71
D310,268 S *	8/1990	Shalvi	D26/67
D311,255 S *	10/1990	Spotts	D26/67
D316,910 S *	5/1991	Hazerjian	D26/24
D318,135 S *	7/1991	Hall	D26/67
D395,725 S *	6/1998	West	D26/67
D427,704 S *	7/2000	Bossy	D26/67
D435,927 S *	1/2001	Sonnenfeldt	D26/67
D462,134 S *	8/2002	Cheong	D26/67
D482,480 S *	11/2003	Fischer	D26/67
D616,128 S *	5/2010	Sanoner	D26/67

(73) Assignee: **SOCREAT ELECTRONICS TECHNOLOGY LIMITED**, Shenzhen (CN)

OTHER PUBLICATIONS

Solar Butterfly Light by Socreat Electronics Technology Limited. Found at socreat.com visited Jan. 21, 2019. (Year: 2019).*

(**) Term: **15 Years**

* cited by examiner

(21) Appl. No.: **29/614,756**

Primary Examiner — Clare E Heflin

(22) Filed: **Aug. 22, 2017**

(30) **Foreign Application Priority Data**

(57) **CLAIM**

Feb. 24, 2017 (CN) 2017 3 0049723

The ornamental design for a street lamp body, as shown and described.

(51) **LOC (11) Cl.** **26-05**

(52) **U.S. Cl.**
USPC **D26/71**

DESCRIPTION

(58) **Field of Classification Search**
USPC D26/67-71, 92, 118
CPC F21S 8/033; F21S 8/036; F21S 8/08; F21S 8/081; F21S 8/085; F21S 8/086; F21S 6/003; F21W 2131/1005; F21W 2131/103; F21W 2131/107; F21W 2131/109

FIG. 1 is a perspective view of the street lamp body showing my new design;
FIG. 2 is another perspective view of the street lamp body showing my new design;
FIG. 3 is a bottom plan view thereof;
FIG. 4 is a top plan view thereof;
FIG. 5 is a left side elevational view thereof;
FIG. 6 is a right side elevational view thereof;
FIG. 7 is a front elevational view thereof; and,
FIG. 8 is a rear elevational view thereof.

See application file for complete search history.

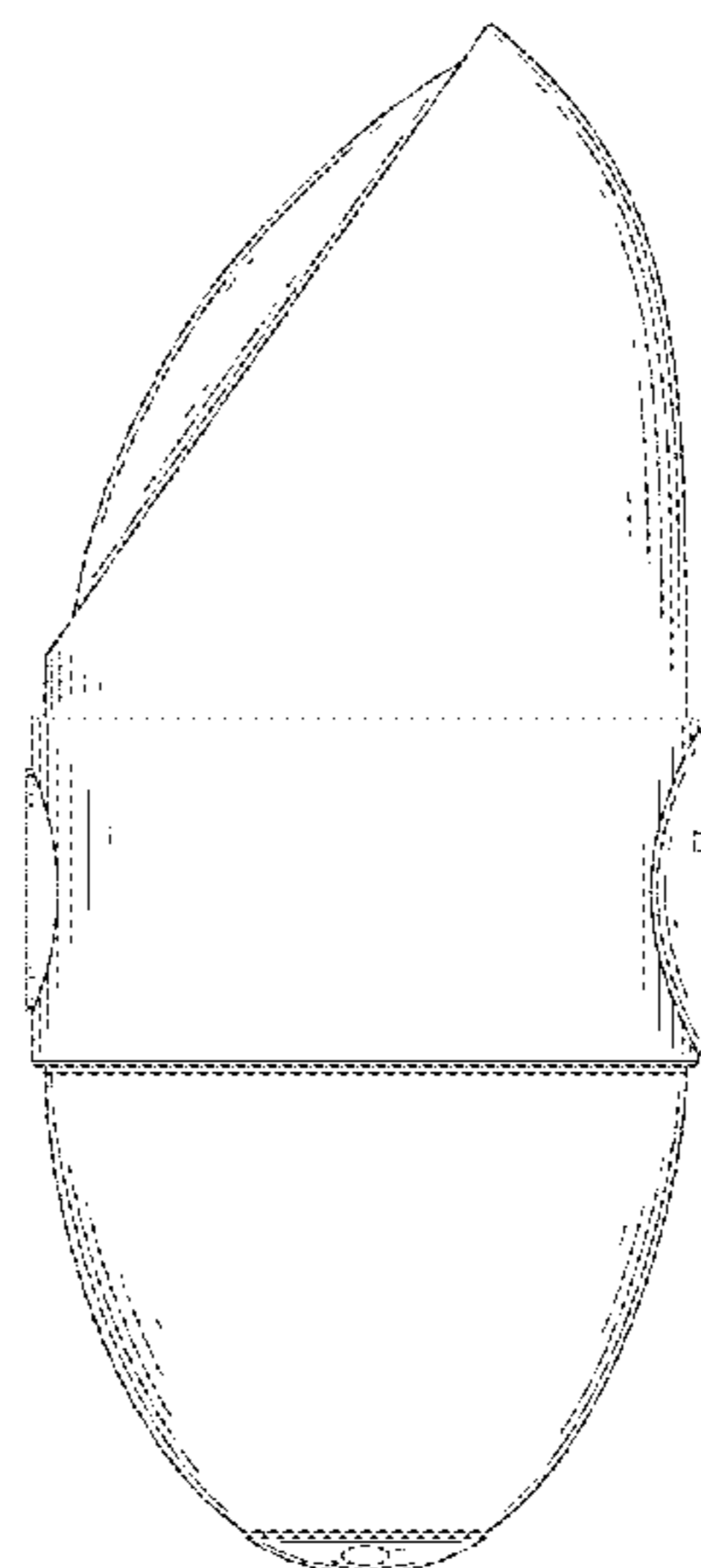
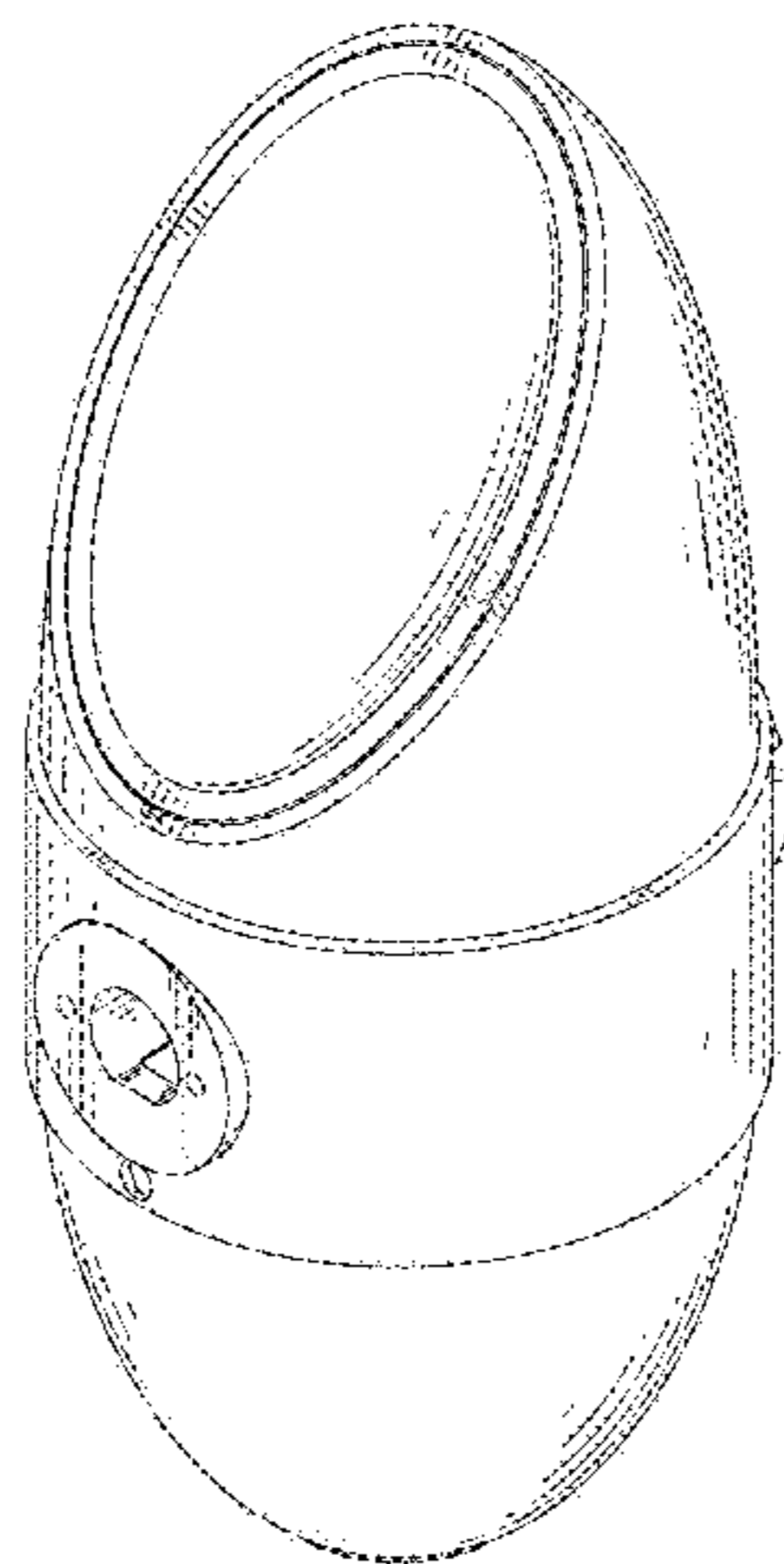
The broken lines are for the purpose of illustrating portions of the street lamp body and form no part of the claimed design.

(56) **References Cited**

U.S. PATENT DOCUMENTS

1,038,354 A *	9/1912	Hall	F21V 29/004
			362/235
D195,094 S *	4/1963	Hisky	D26/71

1 Claim, 8 Drawing Sheets



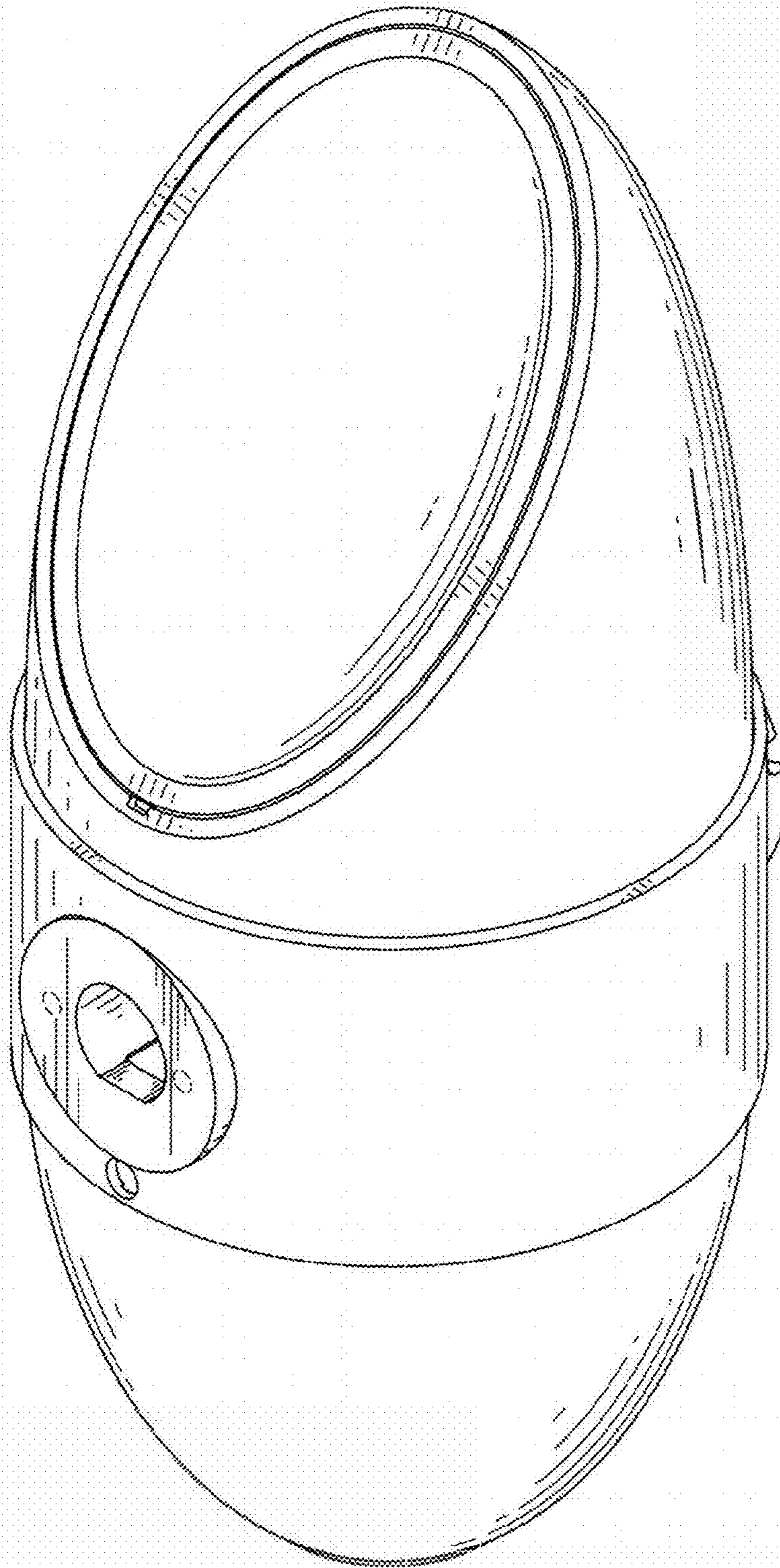


FIG. 1

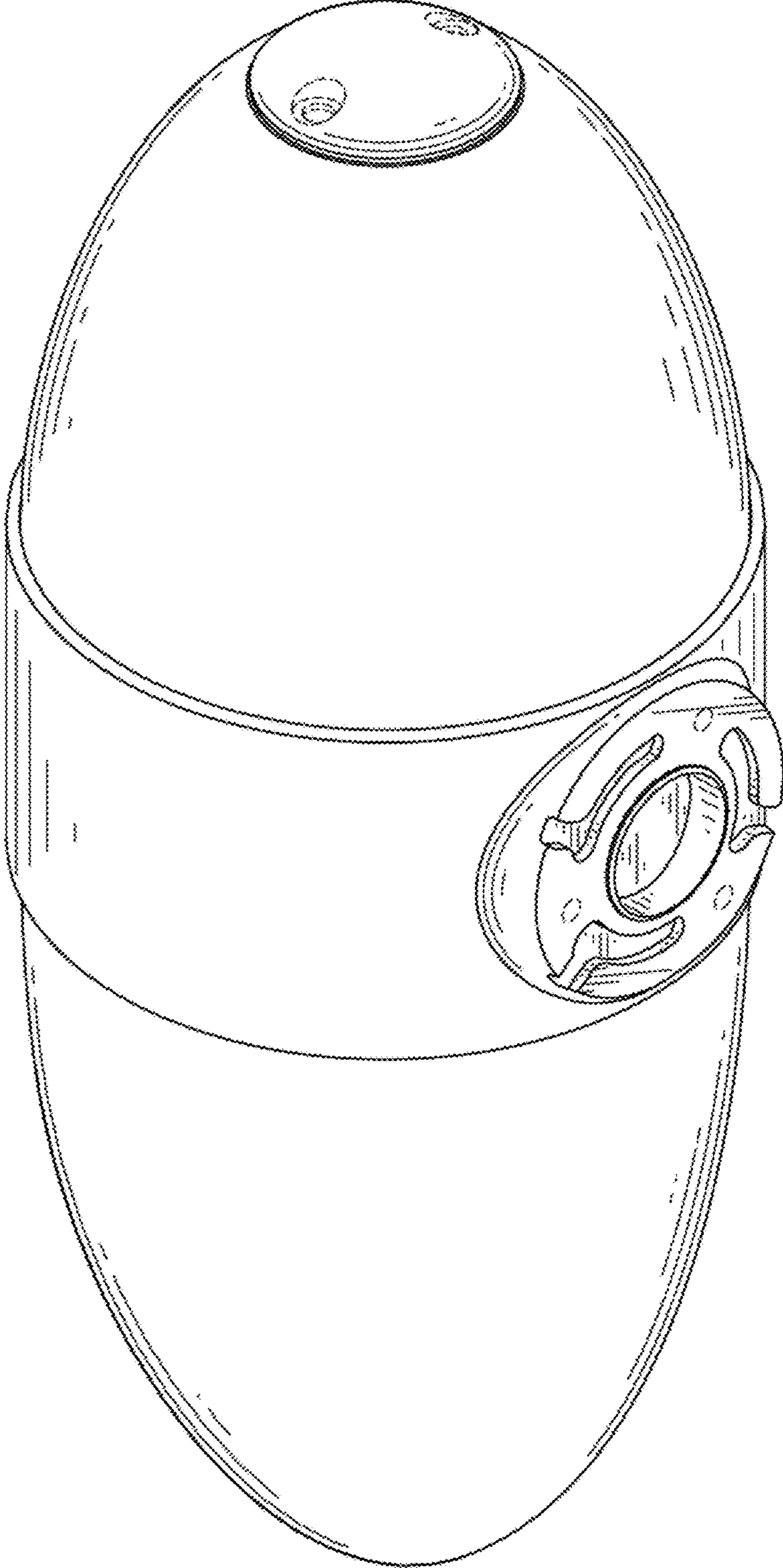


FIG. 2

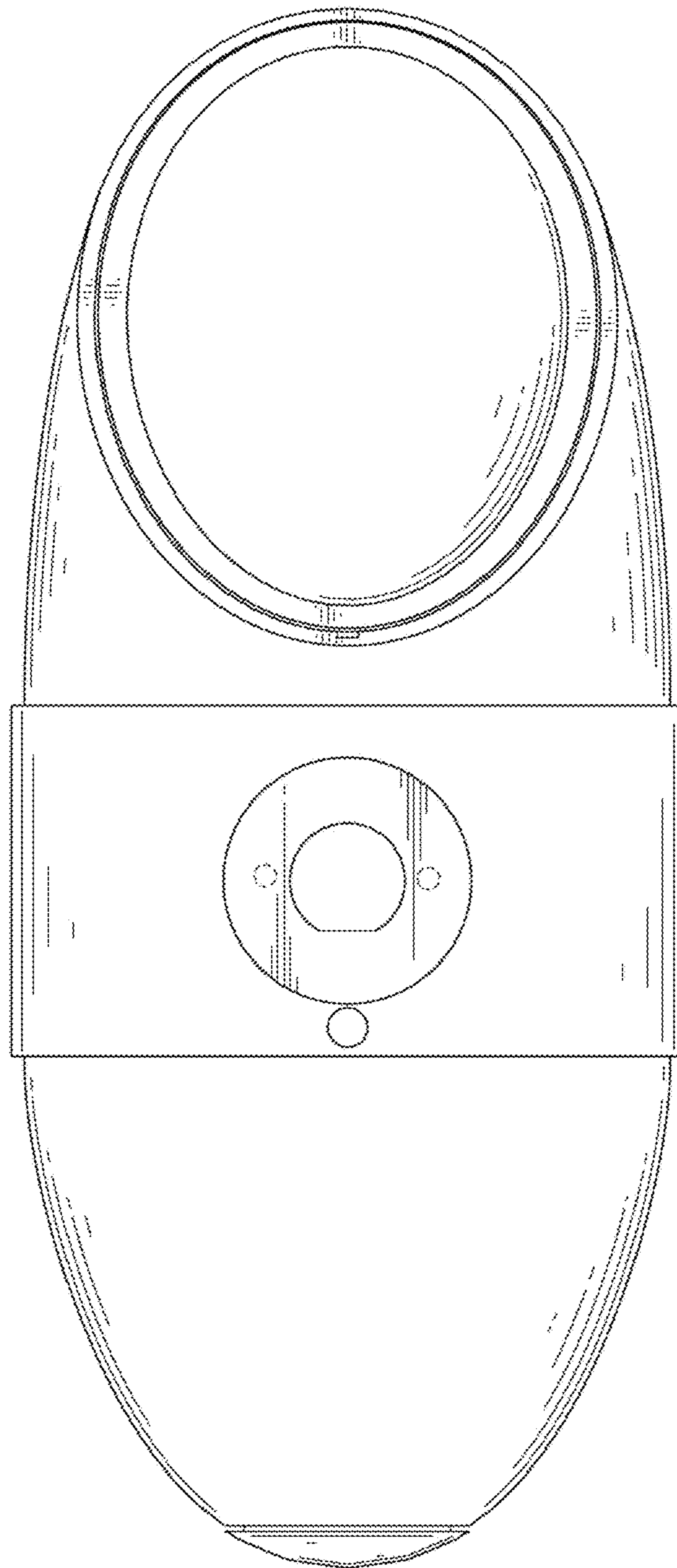


FIG. 3

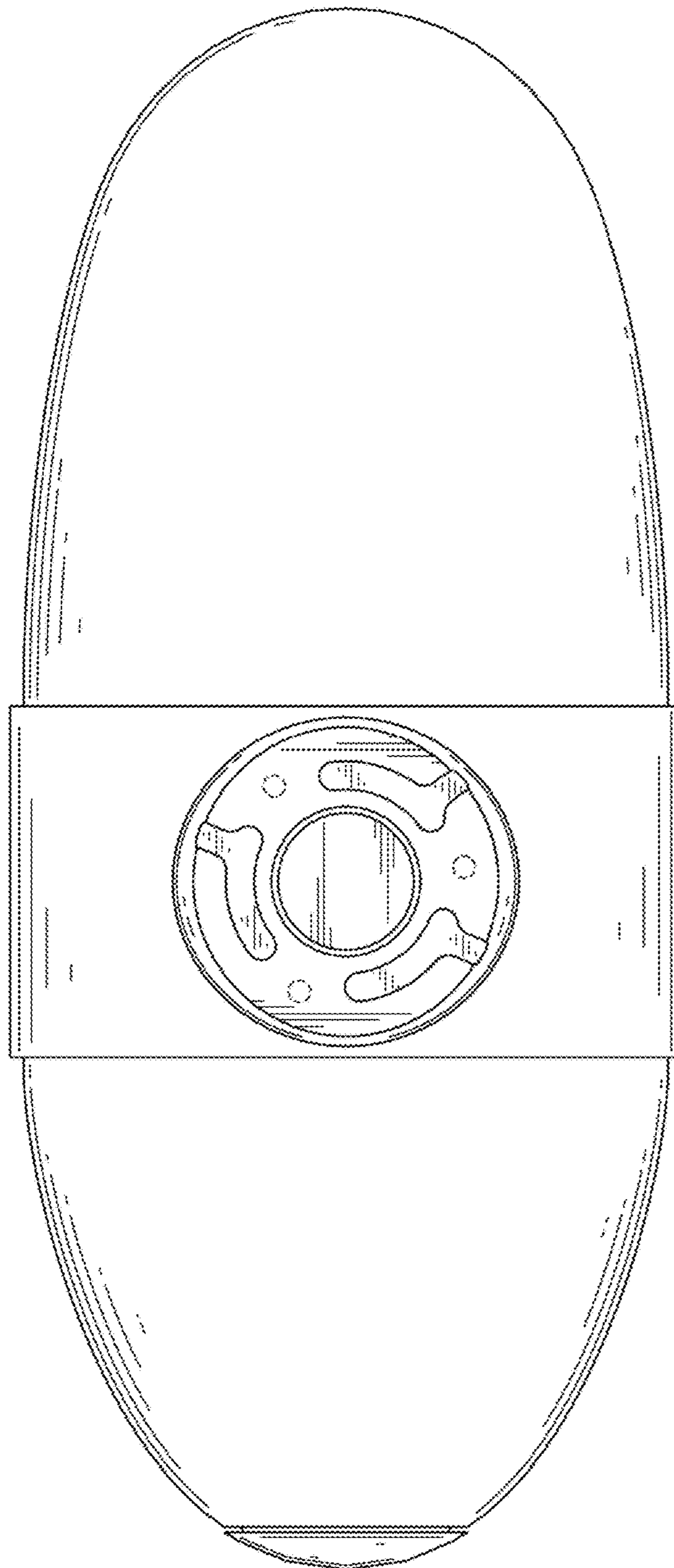


FIG. 4

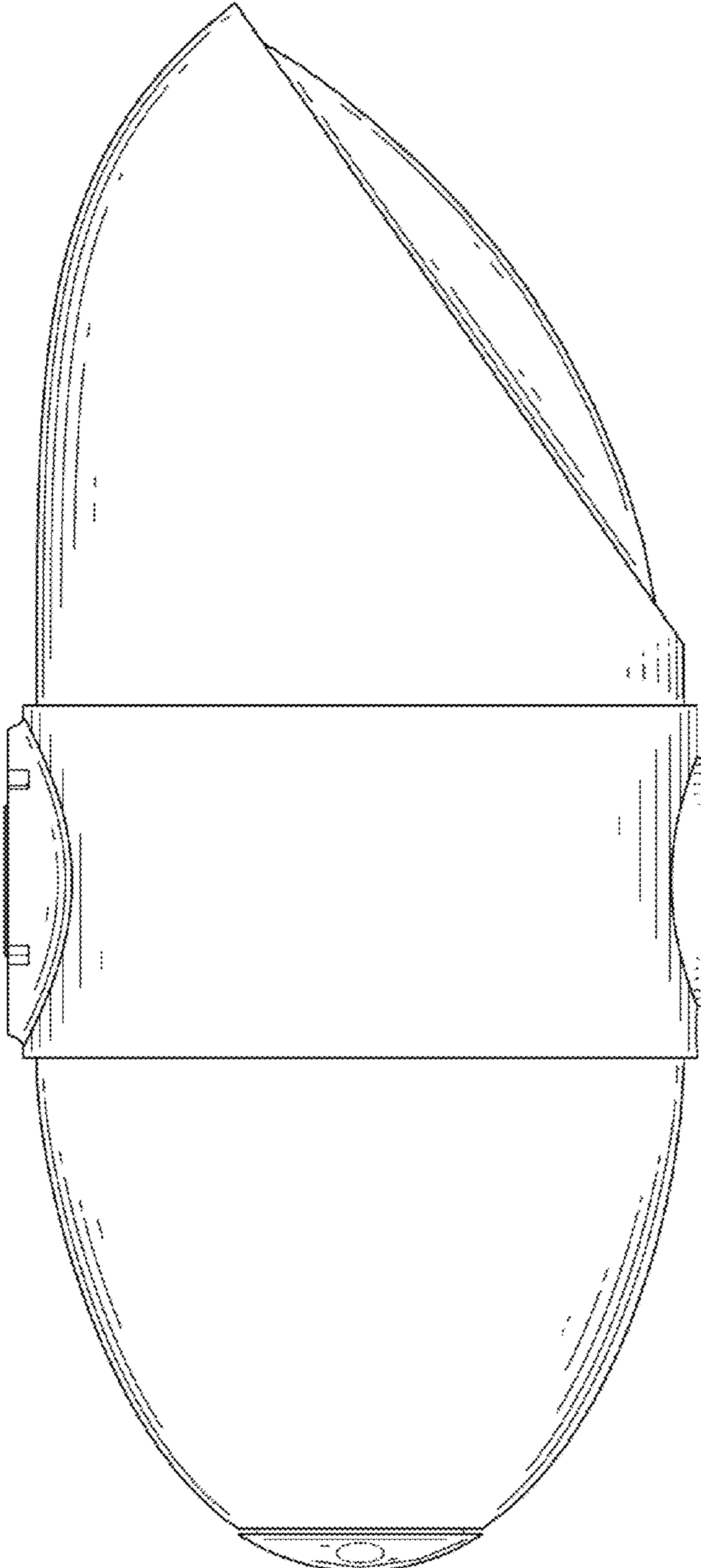


FIG. 5

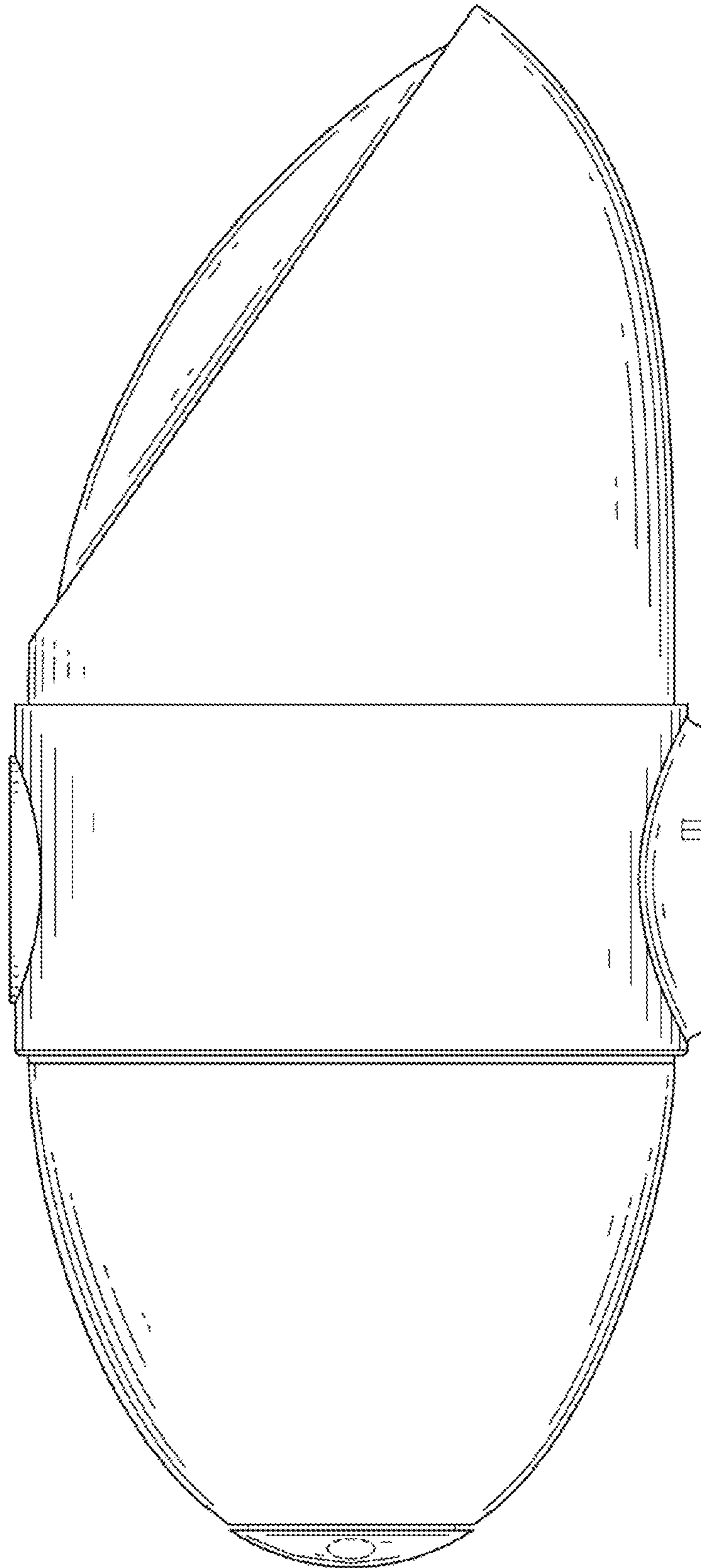


FIG. 6

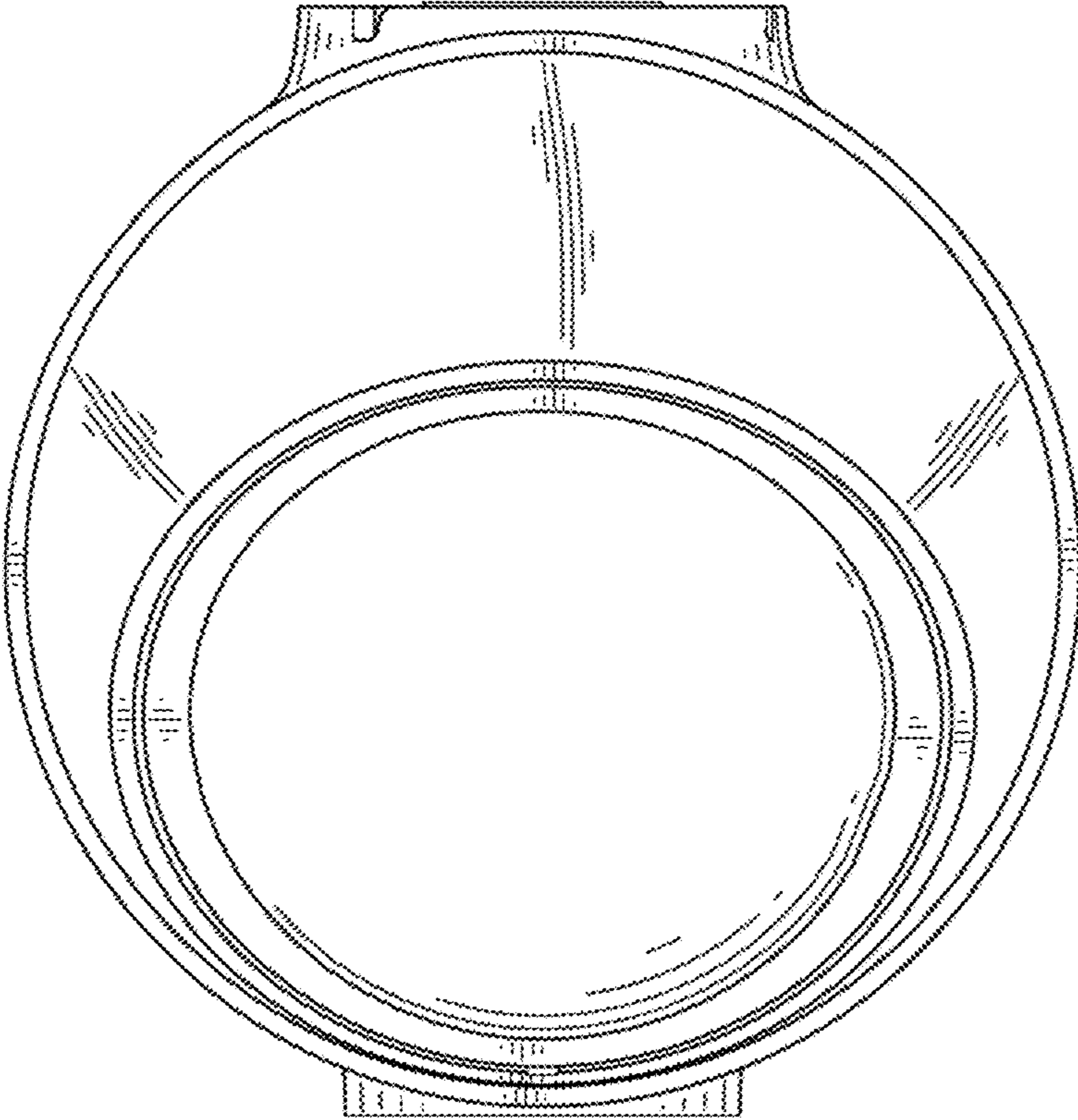


FIG. 7

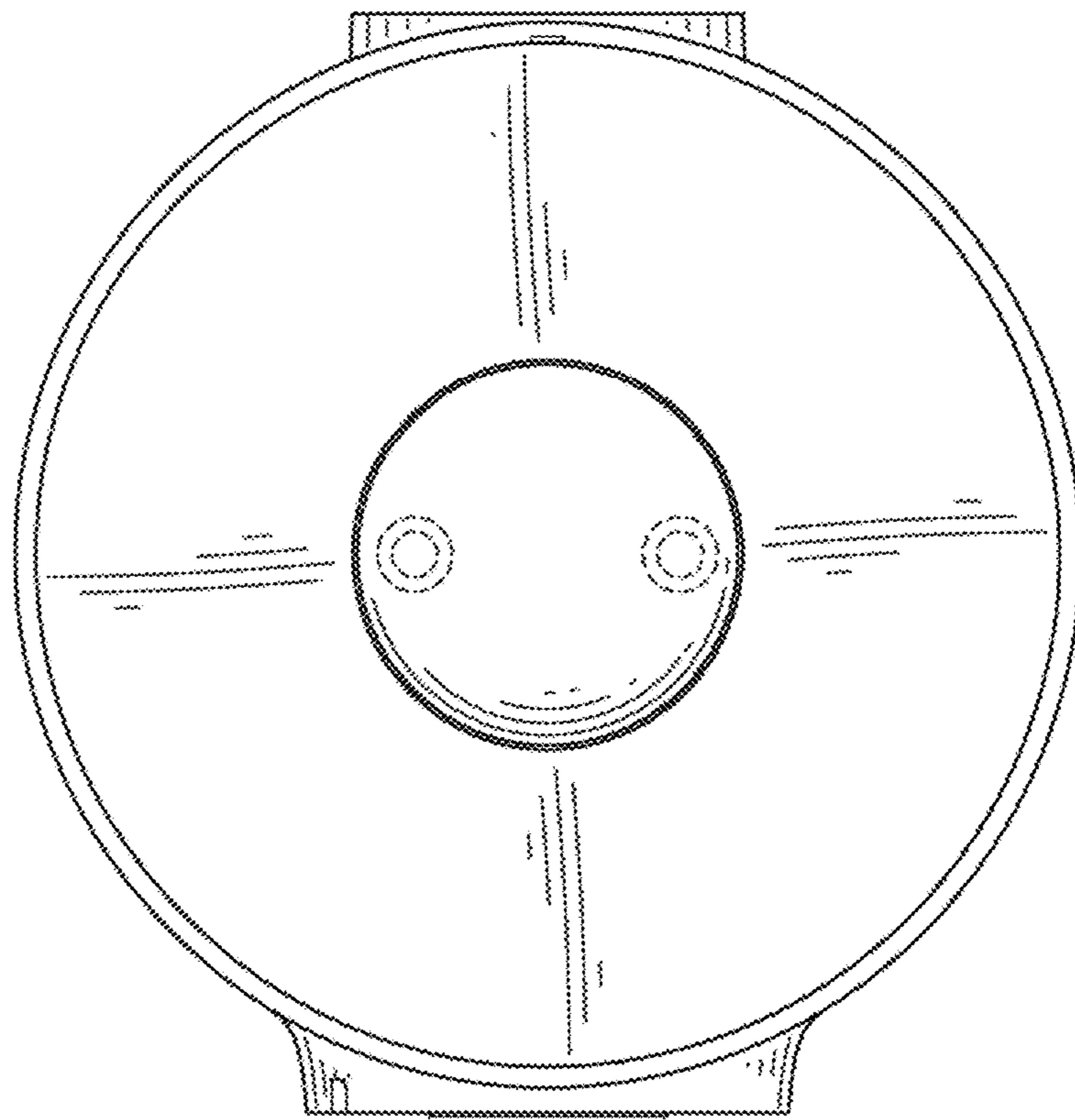


FIG. 8