



US00D850689S

(12) **United States Design Patent** (10) **Patent No.:** **US D850,689 S**  
**Harvey et al.** (45) **Date of Patent:** **\*\* Jun. 4, 2019**

- (54) **STAND LIGHT** 5,203,621 A 4/1993 Weinmeister et al.
- 5,207,747 A 5/1993 Gordin et al.
- (71) Applicant: **MILWAUKEE ELECTRIC TOOL CORPORATION**, Brookfield, WI (US) 5,400,234 A 3/1995 Yu
- 5,405,134 A 4/1995 Wolfram
- (72) Inventors: **Kyle Harvey**, Wauwatosa, WI (US); 5,428,520 A 6/1995 Skief
- Ross McIntyre**, Milwaukee, WI (US); 5,630,660 A 5/1997 Chen
- Eric Mackey**, Milwaukee, WI (US); 5,934,628 A 8/1999 Bosnakovic
- Justin Dorman**, Wauwatosa, WI (US) 5,964,524 A 10/1999 Qian
- 6,045,240 A 4/2000 Hochstein
- (73) Assignee: **MILWAUKEE ELECTRIC TOOL CORPORATION**, Brookfield, WI (US) 6,045,288 A 4/2000 Pasternak et al.
- D428,176 S 7/2000 Bamber et al.
- 6,092,911 A 7/2000 Baker, III et al.
- 6,099,142 A 8/2000 Liu
- (\*\*) Term: **15 Years** 6,149,283 A 11/2000 Conway et al.
- 6,213,626 B1 4/2001 Qian
- (21) Appl. No.: **29/637,537** 6,255,786 B1 7/2001 Yen
- 6,265,969 B1 7/2001 Shih
- (22) Filed: **Feb. 20, 2018** D452,022 S 12/2001 Osiecki et al.

(Continued)

**FOREIGN PATENT DOCUMENTS**

- EP 193756 10/1986
- EP 1205428 5/2002

(Continued)

**Related U.S. Application Data**

(63) Continuation of application No. 14/877,675, filed on Oct. 7, 2015.

(51) **LOC (11) Cl.** ..... **26-03**

(52) **U.S. Cl.**  
USPC ..... **D26/63**

(58) **Field of Classification Search**  
USPC ..... D26/1, 24, 61, 63, 65, 85, 92, 51, 111  
CPC ..... F21V 21/14; F21V 15/01; F21V 14/02;  
F21V 21/30; F21V 21/00; F21V 14/00;  
F21S 8/00; F21S 8/003; F21S 8/043;  
F21Y 2105/001

See application file for complete search history.

*Primary Examiner* — Brian N. Vinson  
(74) *Attorney, Agent, or Firm* — Michael Best & Friedrich LLP

(57) **CLAIM**

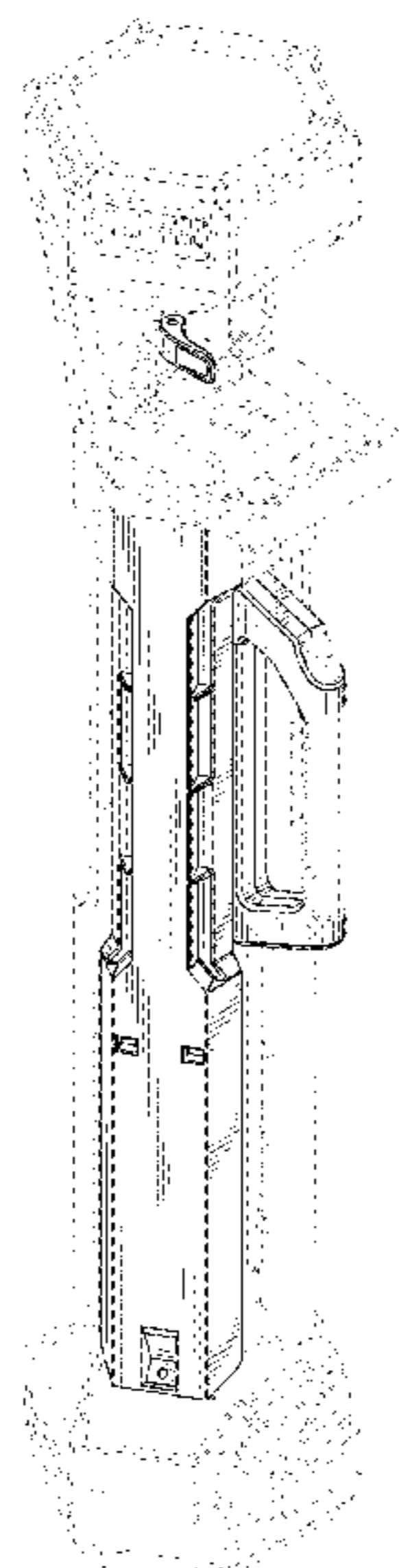
The ornamental design for a stand light, as shown and described.

**DESCRIPTION**

FIG. 1 is a perspective view of a stand light showing our new design in a stowed configuration; and, FIG. 2 is a perspective view of a stand light thereof, in a deployed configuration. The broken line disclosure represents portions of the stand light which form no part of the claimed design.

**1 Claim, 2 Drawing Sheets**

- (56) **References Cited**
- U.S. PATENT DOCUMENTS**
- 3,331,958 A 7/1967 Adler
- 4,017,700 A 4/1977 West
- 4,017,770 A 4/1977 Valfre
- 4,268,894 A 5/1981 Bartunek et al.
- 4,324,477 A 4/1982 Miyazaki





(56)

**References Cited**

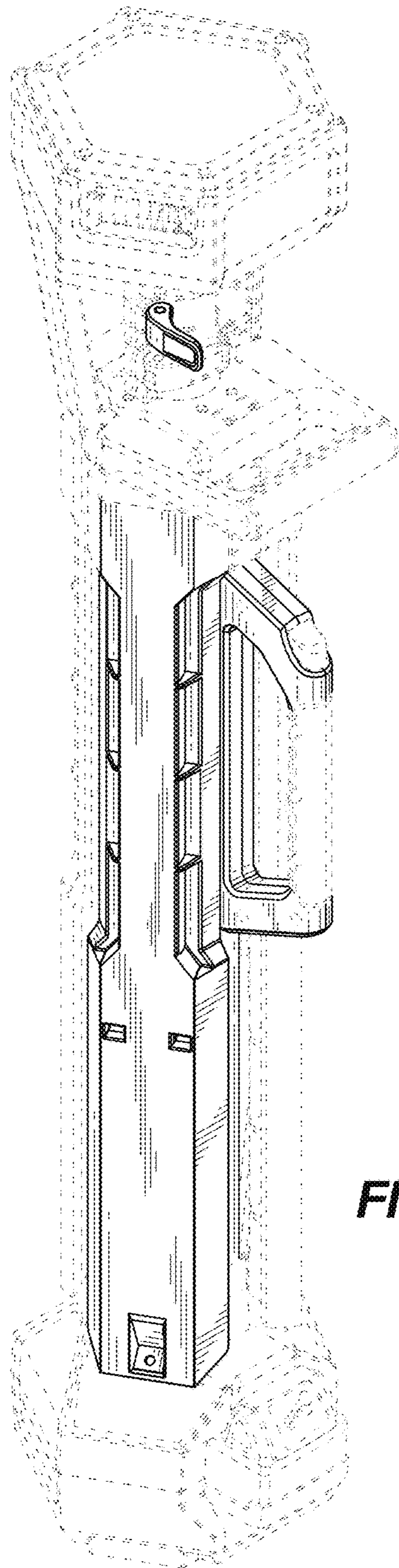
U.S. PATENT DOCUMENTS

2013/0128565	A1	5/2013	Cugini et al.
2013/0176713	A1	7/2013	Deighton et al.
2013/0187785	A1	7/2013	McIntosh et al.
2013/0258645	A1	10/2013	Weber et al.
2013/0265780	A1	10/2013	Choski et al.
2013/0322073	A1	12/2013	Hamm et al.
2014/0140050	A1	5/2014	Wong et al.
2014/0192543	A1	7/2014	Deighton et al.
2014/0218936	A1	8/2014	Mahling et al.
2014/0268775	A1	9/2014	Kennemer et al.
2014/0301066	A1	10/2014	Inskeep
2014/0307443	A1	10/2014	Clifford et al.
2014/0376216	A1	12/2014	McLoughlin et al.
2015/0023771	A1	1/2015	Carr et al.
2015/0233569	A1	8/2015	Xue et al.
2015/0233571	A1	8/2015	Inan et al.

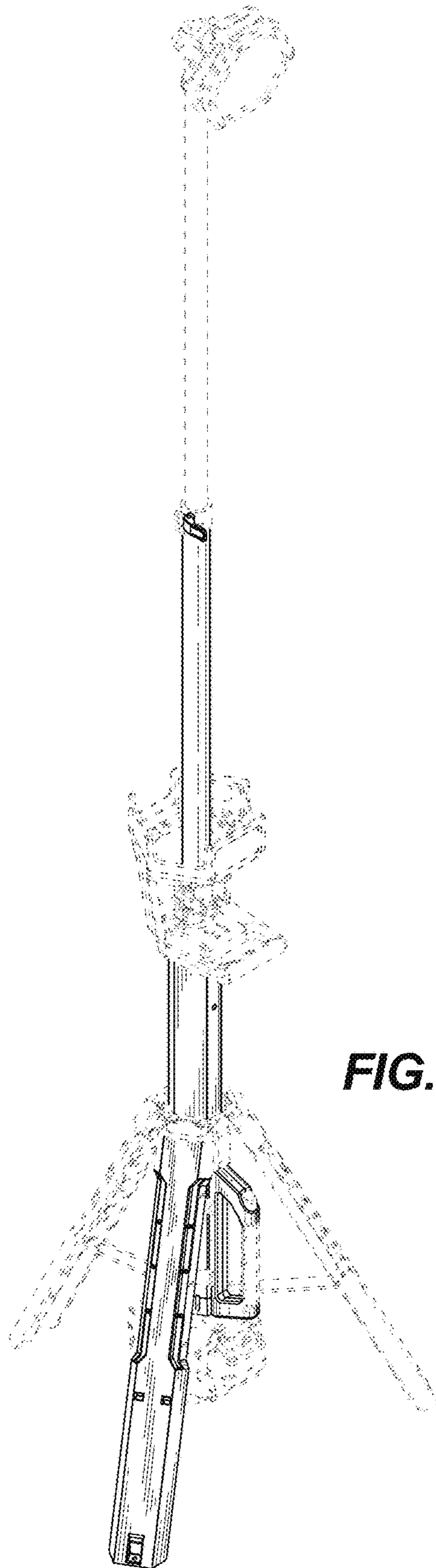
FOREIGN PATENT DOCUMENTS

EP	2436641	4/2012
GB	2424694	10/2006
KR	20100116933	11/2010
WO	WO2002044503	6/2002
WO	WO2014083117	6/2014
WO	WO2014207595	12/2014

\* cited by examiner



**FIG. 1**



**FIG. 2**