

US00D850688S

(12) **United States Design Patent**
Yang et al.

(10) **Patent No.:** **US D850,688 S**

(45) **Date of Patent:** **** Jun. 4, 2019**

(54) **PORTABLE LED LIGHT**

(56) **References Cited**

(71) Applicant: **Shenzhen Jinjunye Electronics Co., Ltd.**, Guangdong (CN)

U.S. PATENT DOCUMENTS

(72) Inventors: **Caisen Yang**, Jiangxi (CN); **Jinyun Wang**, Guangdong (CN)

D403,094 S *	12/1998	Grossman	D26/63
D679,845 S *	4/2013	Huang	D26/63
D736,442 S *	8/2015	Kovacik	D26/37
D754,383 S *	4/2016	Kovacik	D26/63
D780,969 S *	3/2017	Zhu	D26/63
D796,718 S *	9/2017	Zhou	D26/63

(**) Term: **15 Years**

* cited by examiner

(21) Appl. No.: **29/621,700**

Primary Examiner — Brian N. Vinson

(22) Filed: **Oct. 10, 2017**

(74) *Attorney, Agent, or Firm* — Prakash Nama; Global IP Services, PLLC

(30) **Foreign Application Priority Data**

(57) **CLAIM**

Jul. 21, 2017 (CN) 2017 3 0324471

The ornamental design for a portable LED light, as shown.

(51) **LOC (11) Cl.** **26-03**

DESCRIPTION

(52) **U.S. Cl.**

USPC **D26/63**

(58) **Field of Classification Search**

USPC D26/1, 24, 61, 63, 65, 85, 92, 37

CPC F21V 21/14; F21V 15/01; F21V 14/02;

F21V 21/30; F21V 21/00; F21V 14/00;

F21S 8/00; F21S 8/003; F21S 8/043;

F21Y 2105/001

See application file for complete search history.

FIG. 1 is a front elevational view of a portable LED light showing our new design;

FIG. 2 is a rear elevational view thereof;

FIG. 3 is a left side view thereof;

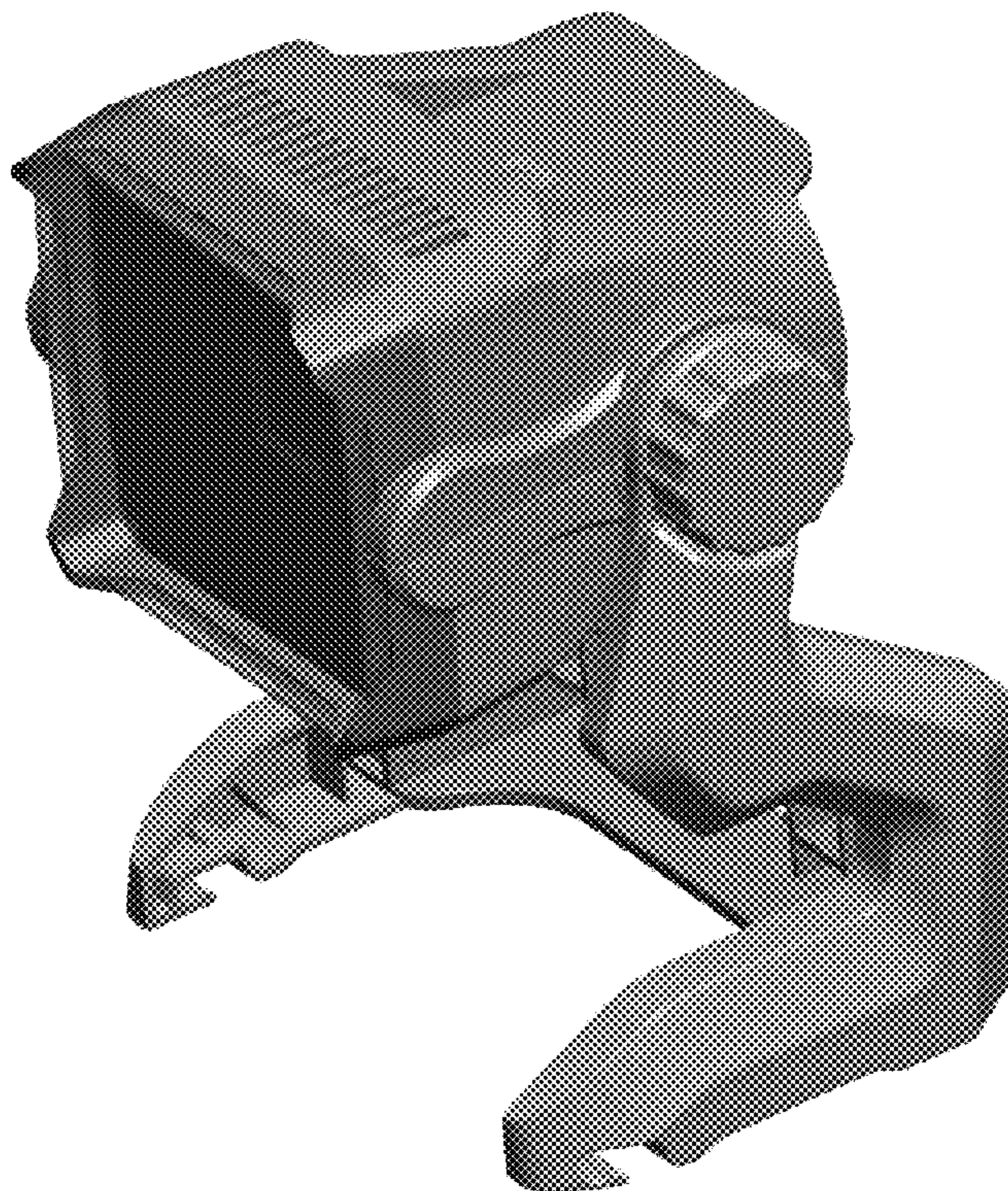
FIG. 4 is a right side view thereof;

FIG. 5 is a top plan view thereof;

FIG. 6 is a bottom plan view thereof; and,

FIG. 7 is a perspective view thereof.

1 Claim, 2 Drawing Sheets



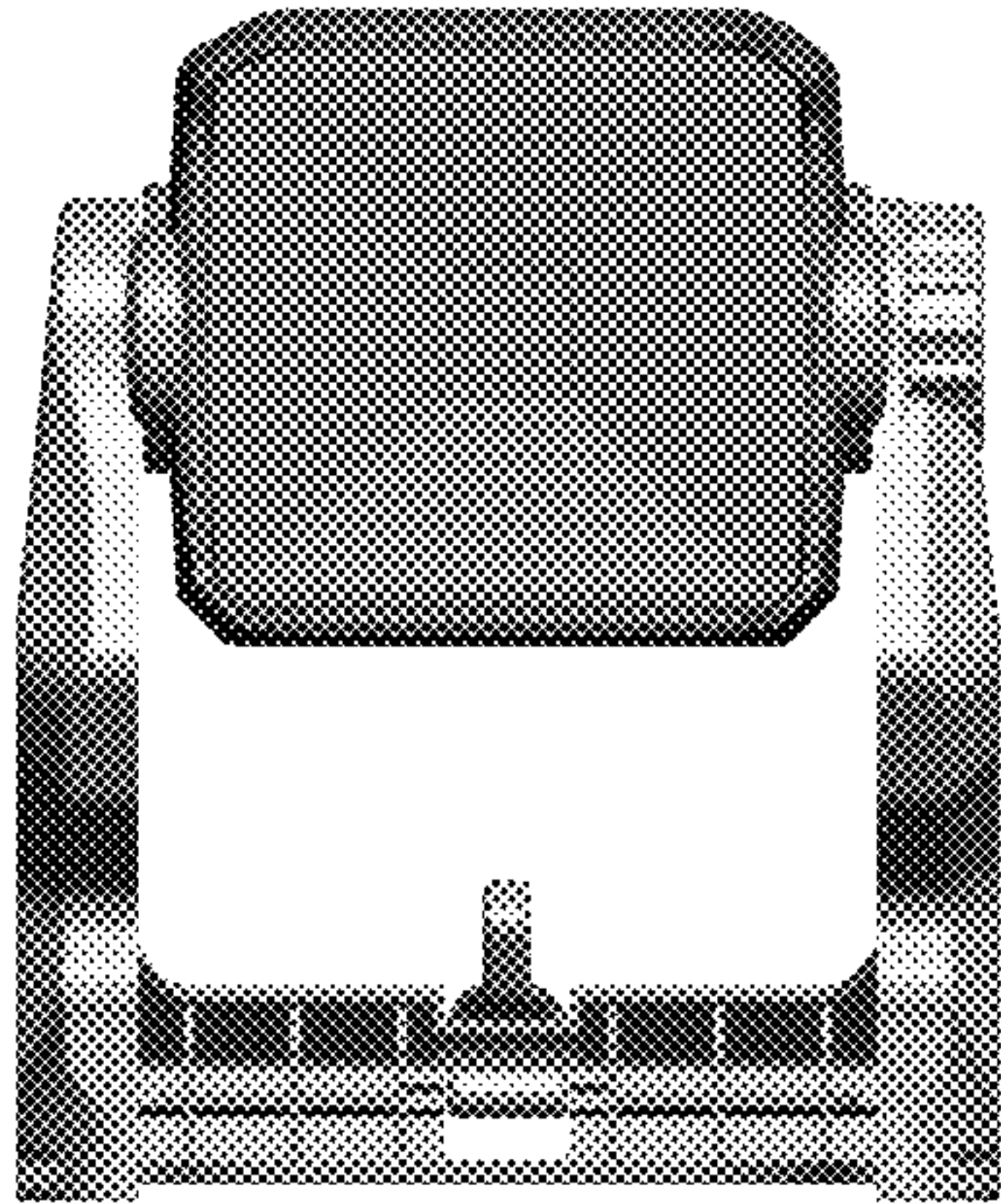


FIG. 1

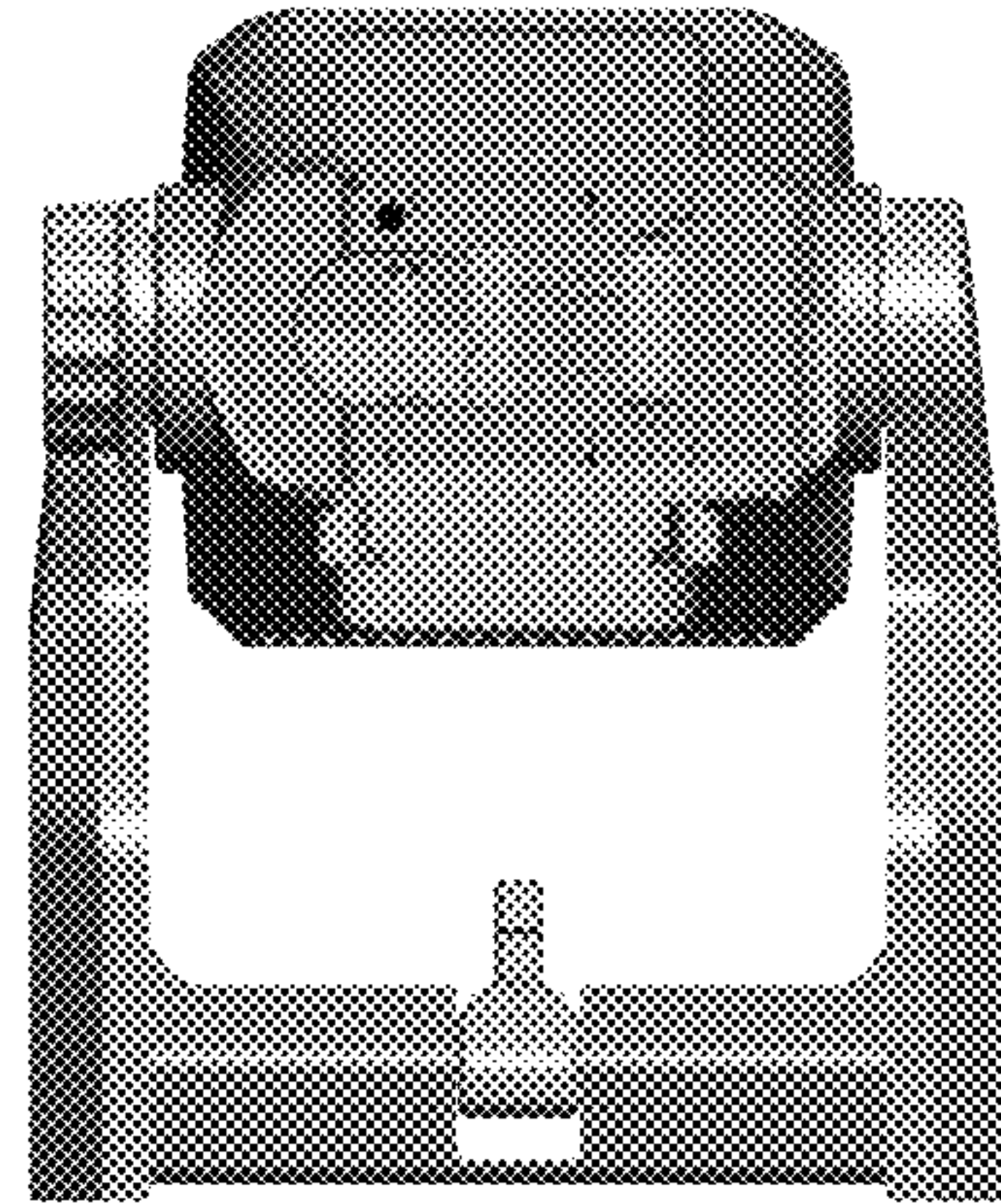


FIG. 2

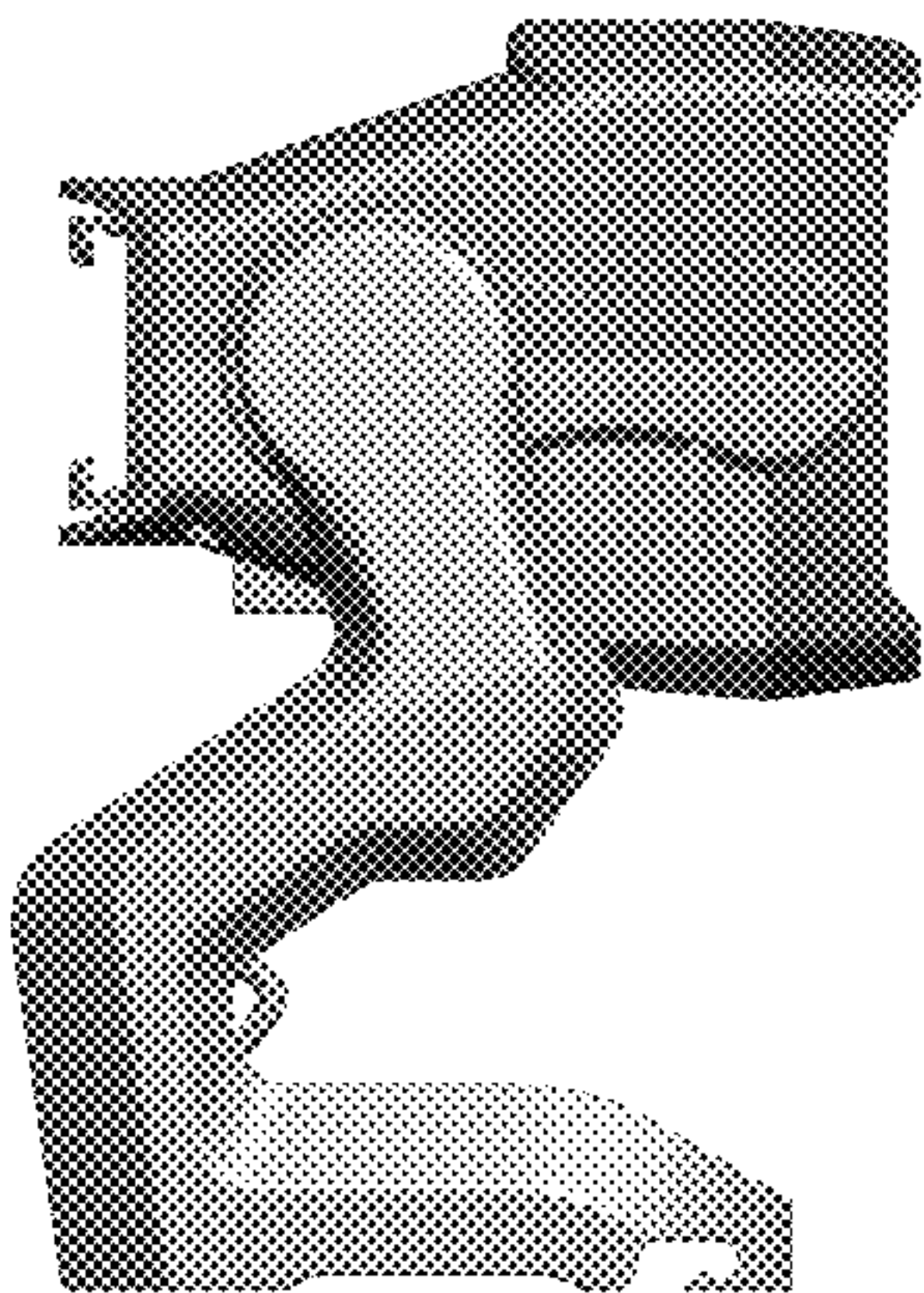


FIG. 3

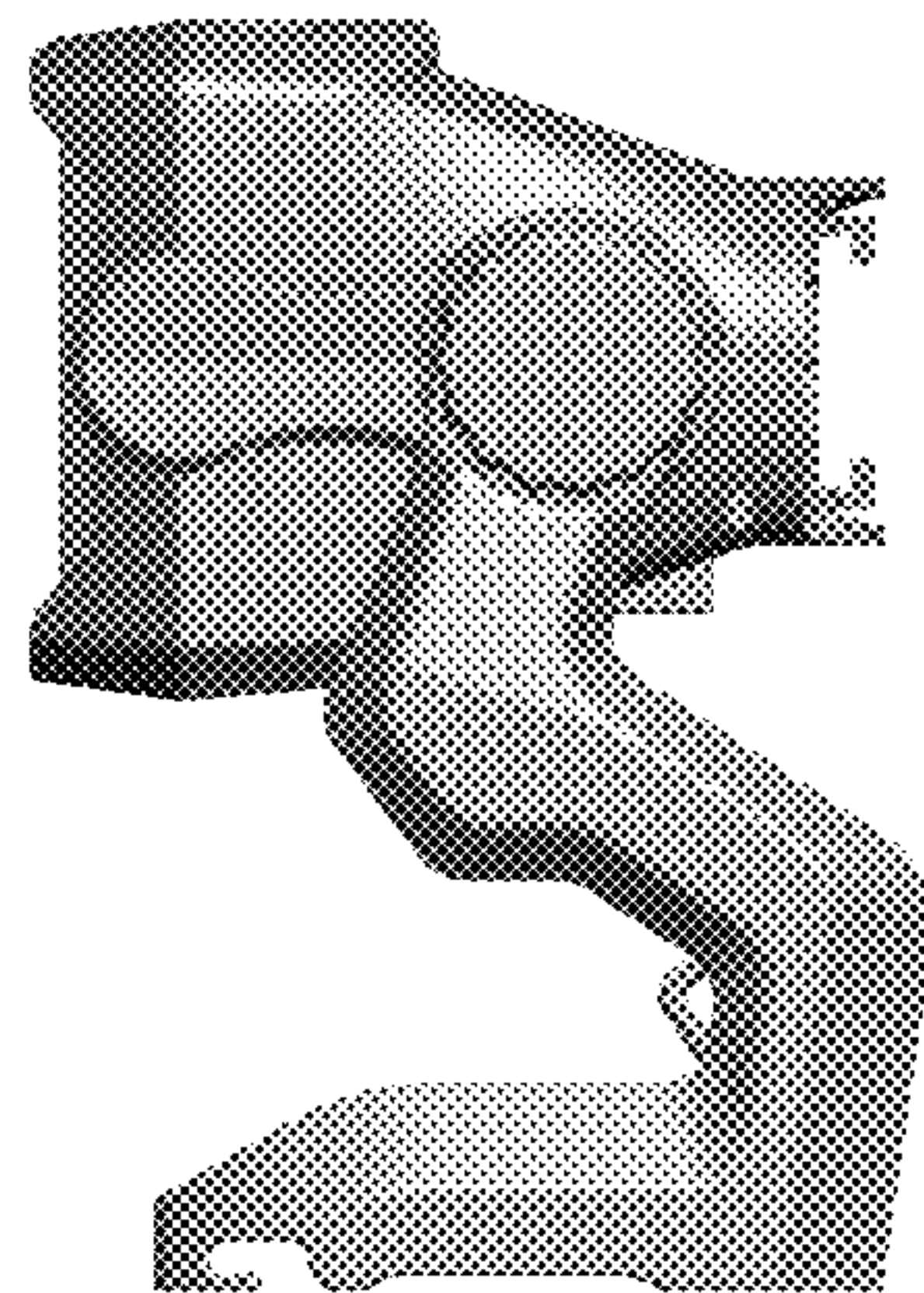


FIG. 4

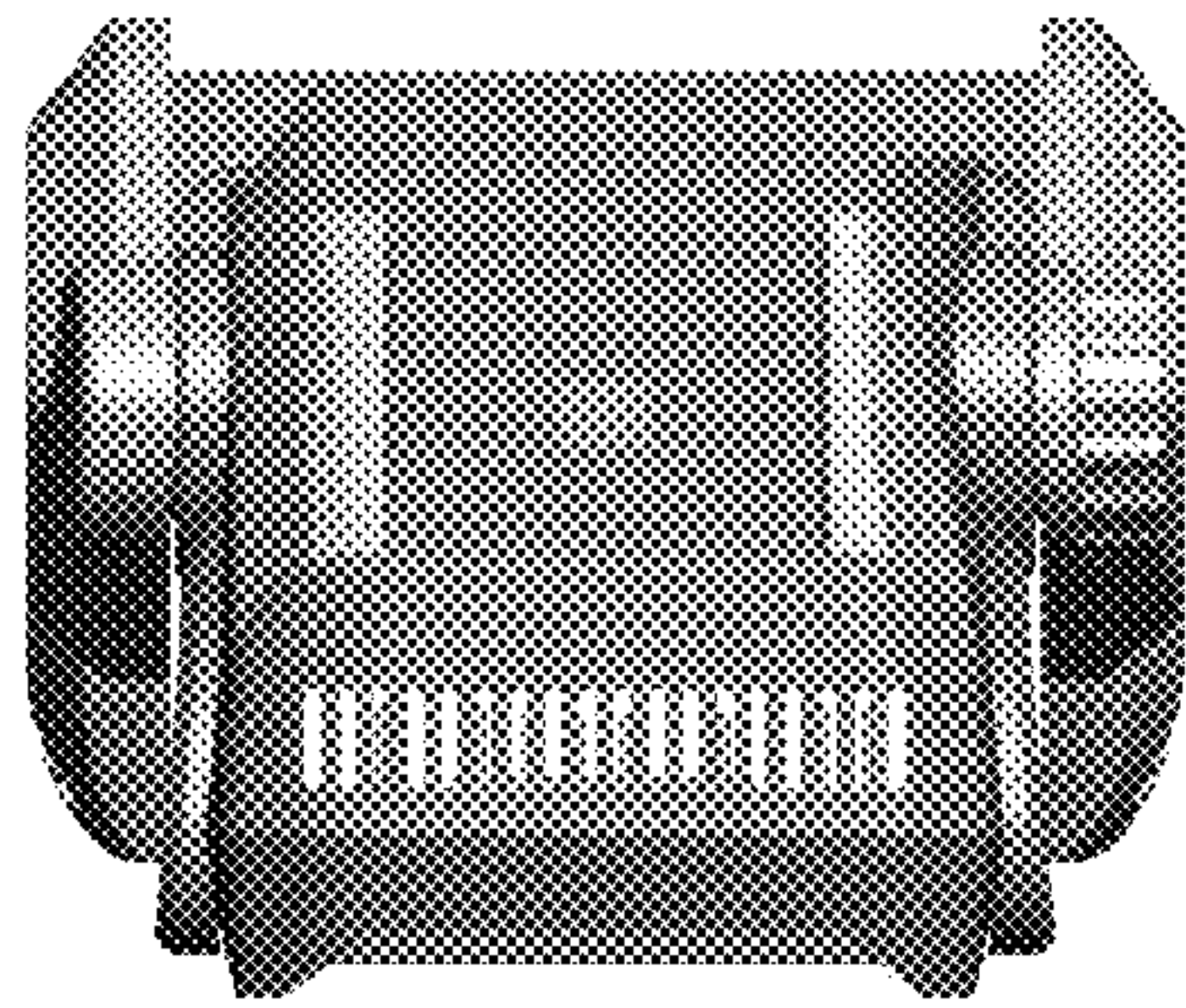


FIG. 5

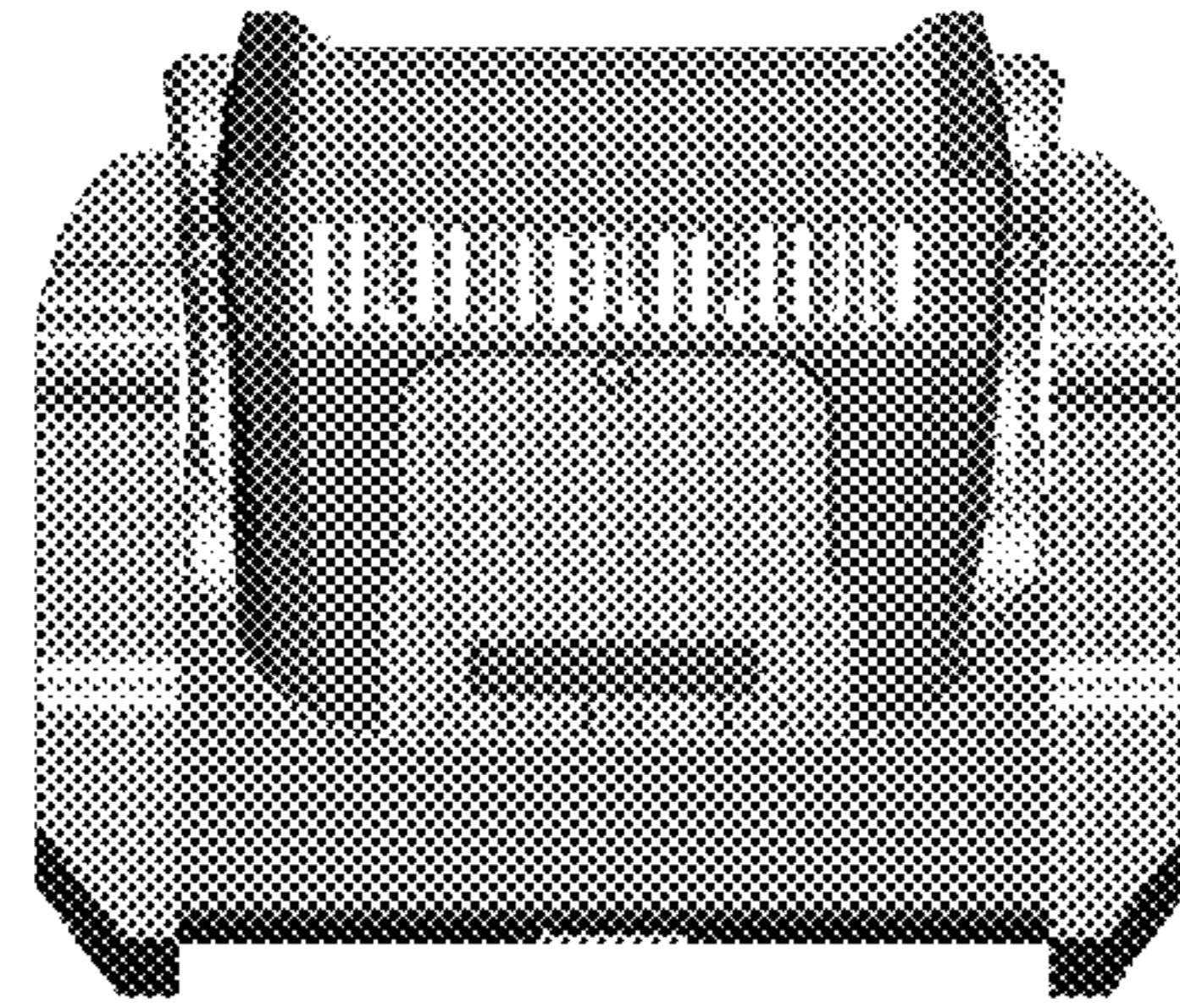


FIG. 6

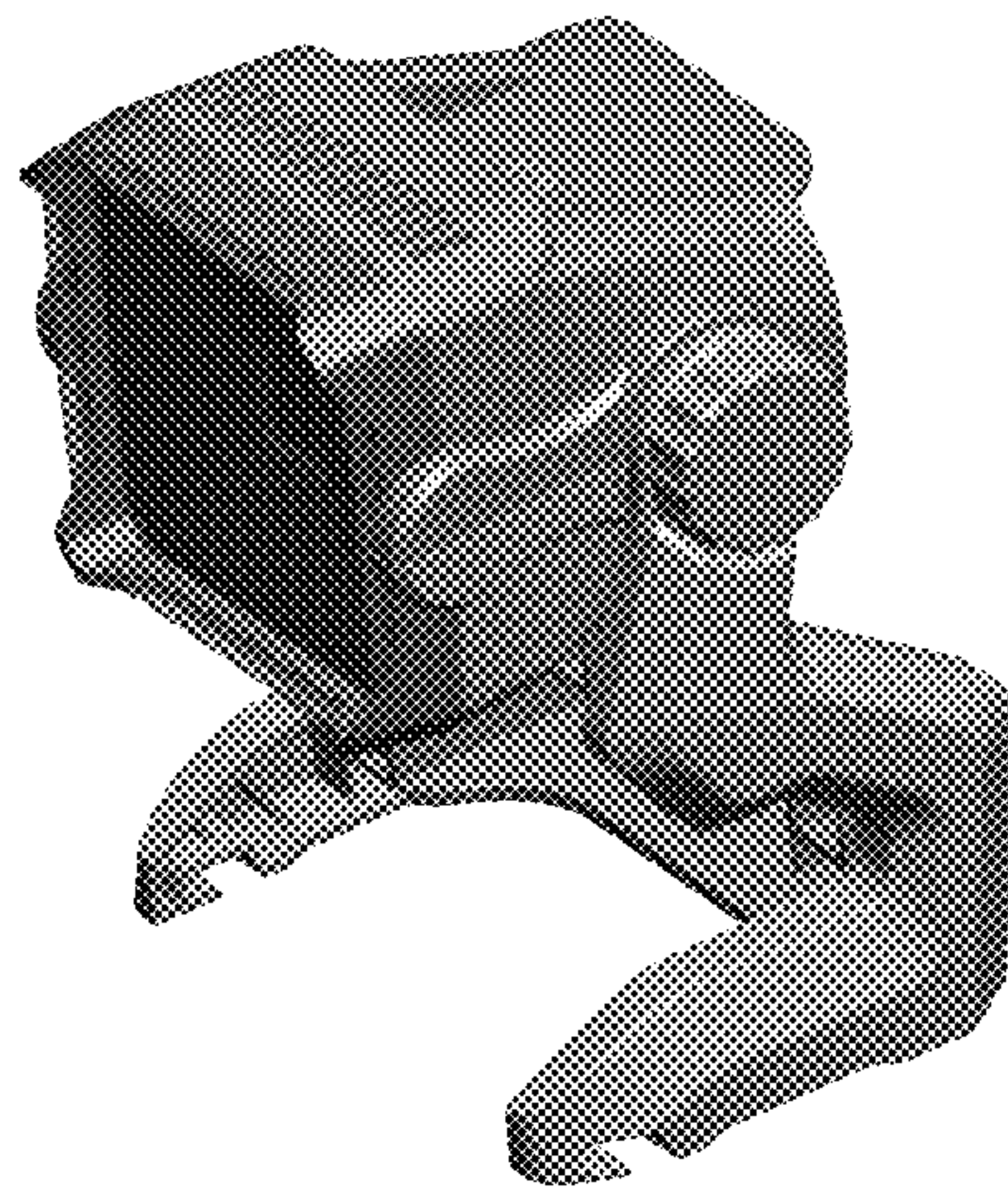


FIG. 7