



US00D850687S

(12) **United States Design Patent**
Kim

(10) **Patent No.:** **US D850,687 S**

(45) **Date of Patent:** **** Jun. 4, 2019**

(54) **REFLECTOR LIGHTING HEAD**

(71) Applicant: **II Kim**, Corona, CA (US)

(72) Inventor: **II Kim**, Corona, CA (US)

(**) Term: **15 Years**

(21) Appl. No.: **29/608,106**

(22) Filed: **Jun. 19, 2017**

(51) **LOC (11) Cl.** **26-03**

(52) **U.S. Cl.**
USPC **D26/63**

(58) **Field of Classification Search**
USPC D26/1, 24, 61, 63, 65, 85, 92
CPC F21V 21/14; F21V 15/01; F21V 14/02;
F21V 21/30; F21V 21/00; F21V 14/00;
F21S 8/00; F21S 8/003; F21S 8/043;
F21Y 2105/001

See application file for complete search history.

(56) **References Cited**

U.S. PATENT DOCUMENTS

D214,941 S * 8/1969 Hilzen D26/63
D226,534 S * 3/1973 Anderson, Jr. D26/63

D316,303 S * 4/1991 Layne D26/63
D376,865 S * 12/1996 Chan D26/60
D383,559 S * 9/1997 Chan D26/60

* cited by examiner

Primary Examiner — Brian N. Vinson

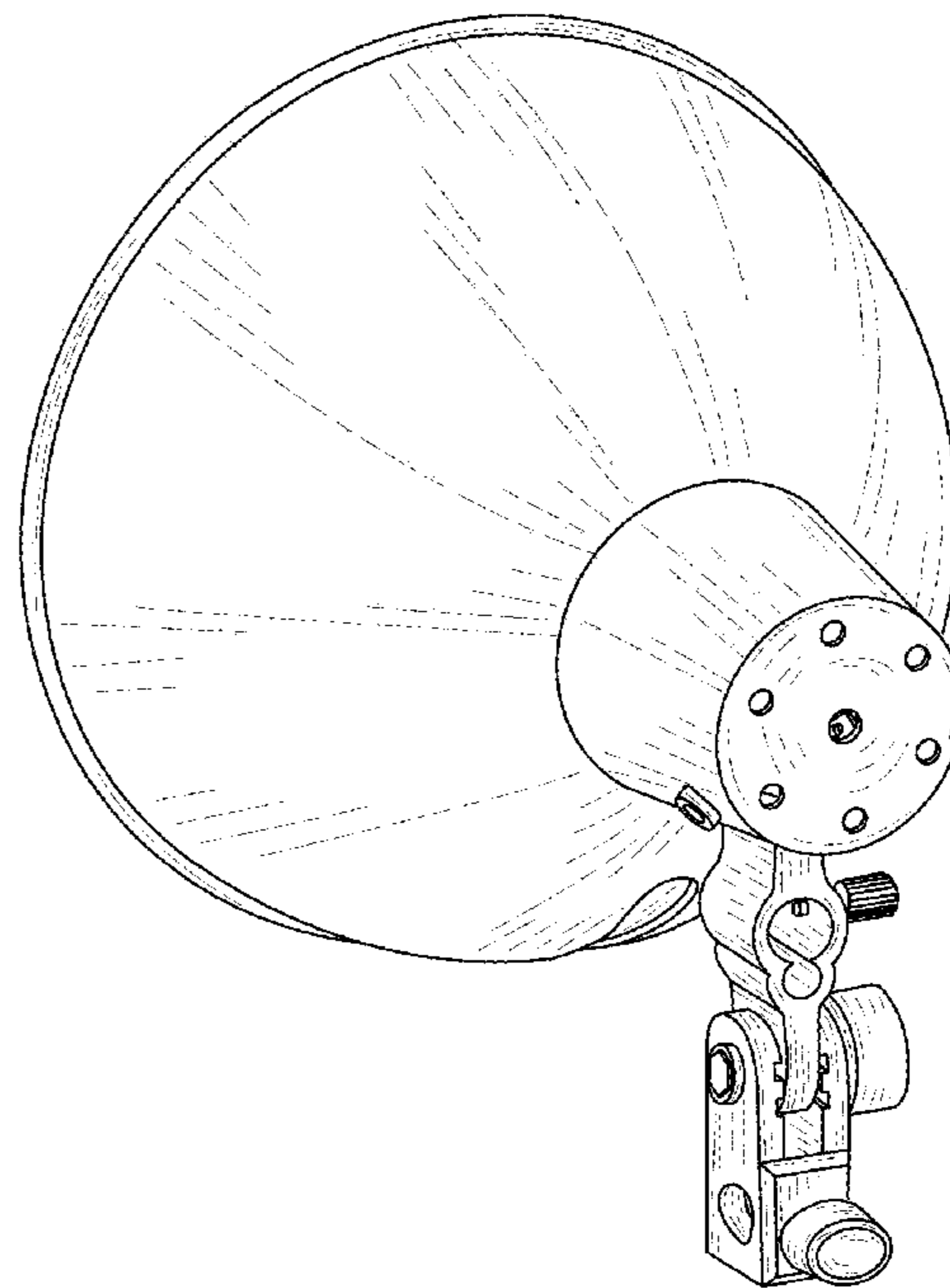
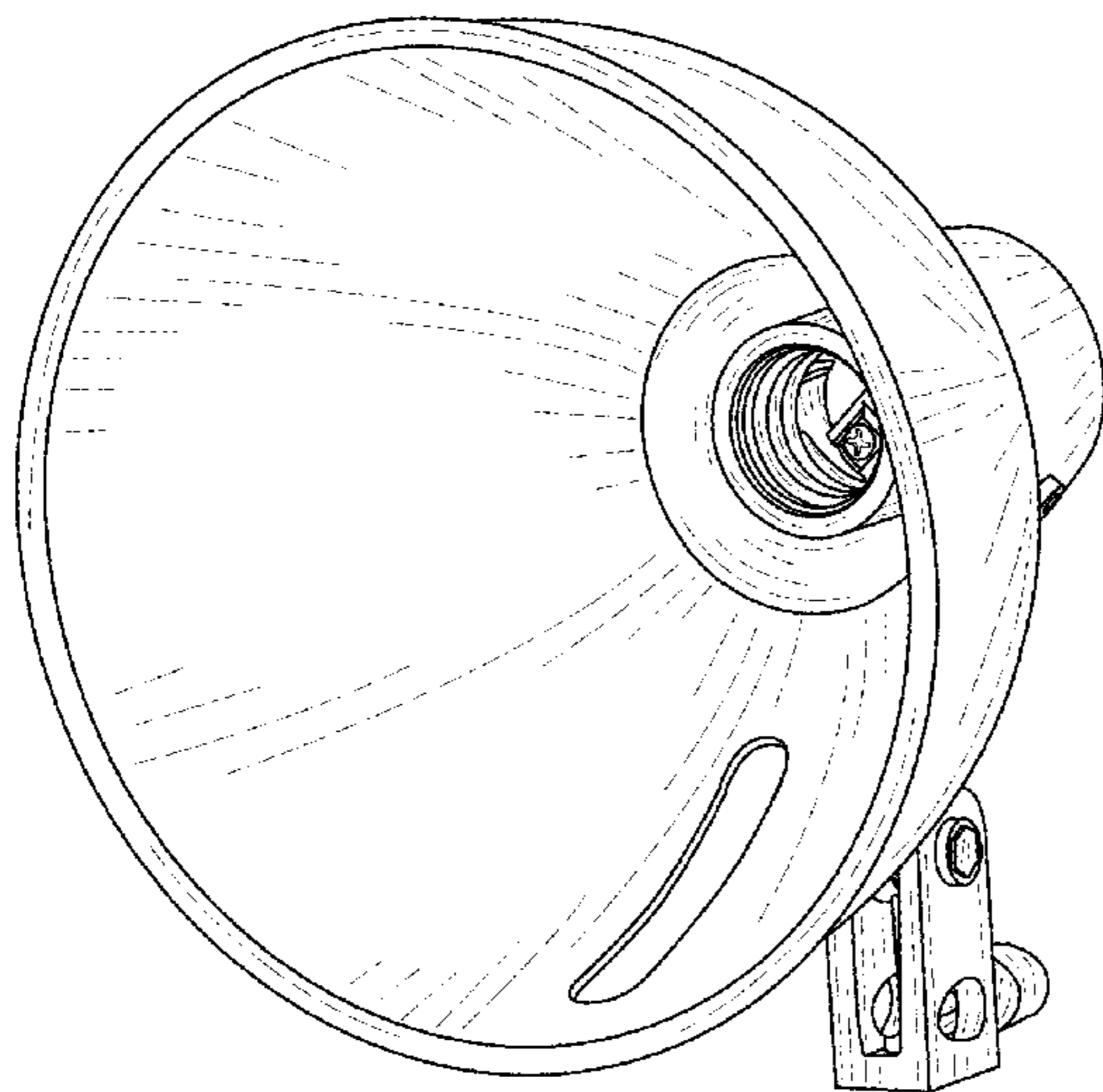
(57) **CLAIM**

The ornamental design for a reflector lighting head, as shown and described.

DESCRIPTION

FIG. 1 is a front perspective view of a reflector lighting head; FIG. 2 is a rear perspective view thereof; FIG. 3 is a right side elevational view thereof; FIG. 4 is a rear elevational view thereof; FIG. 5 is a bottom plan view thereof; FIG. 6 is a left side elevational view thereof; FIG. 7 is a front elevational view thereof; and, FIG. 8 is a top plan view thereof.

1 Claim, 8 Drawing Sheets



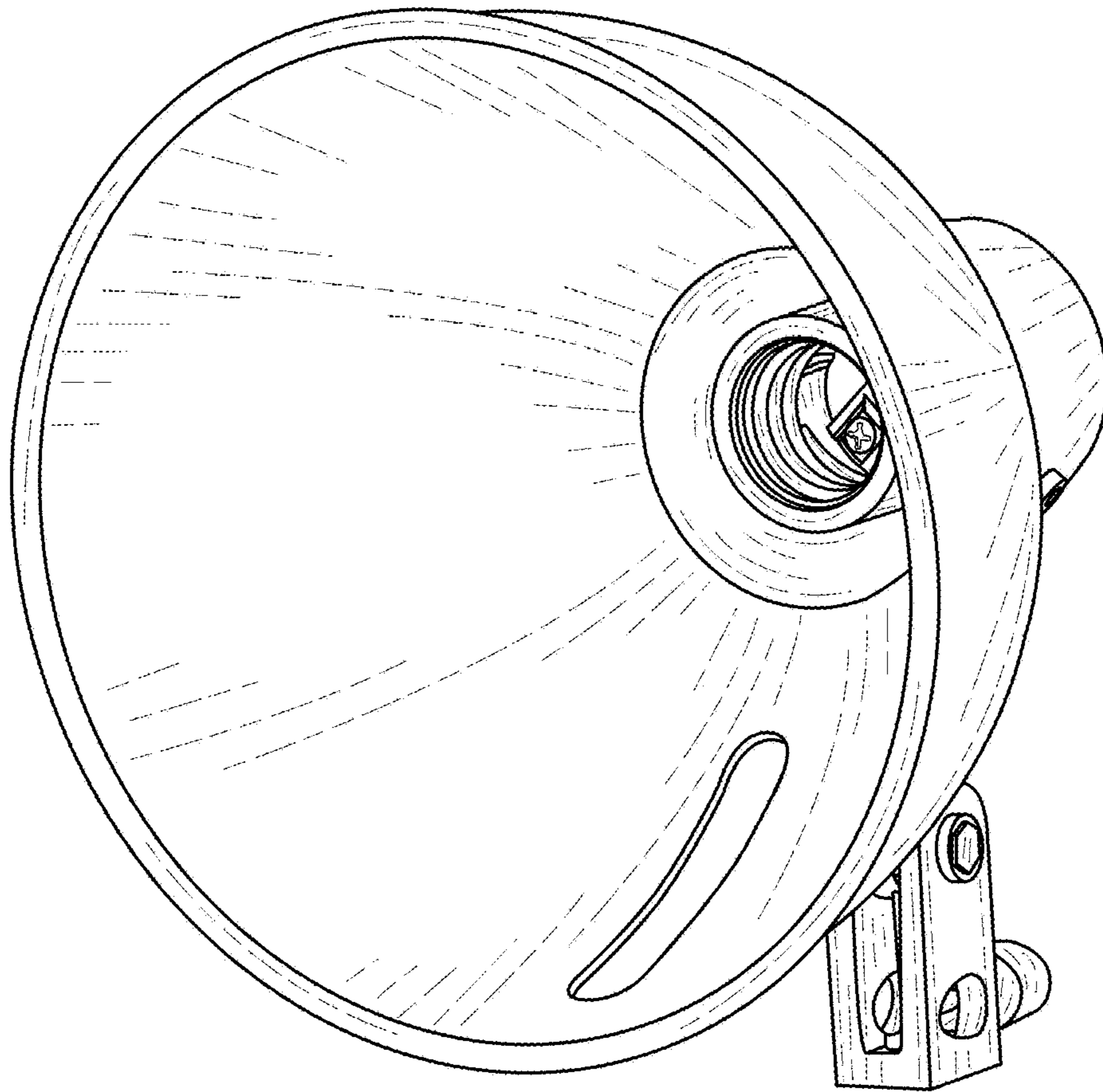


FIG. 1

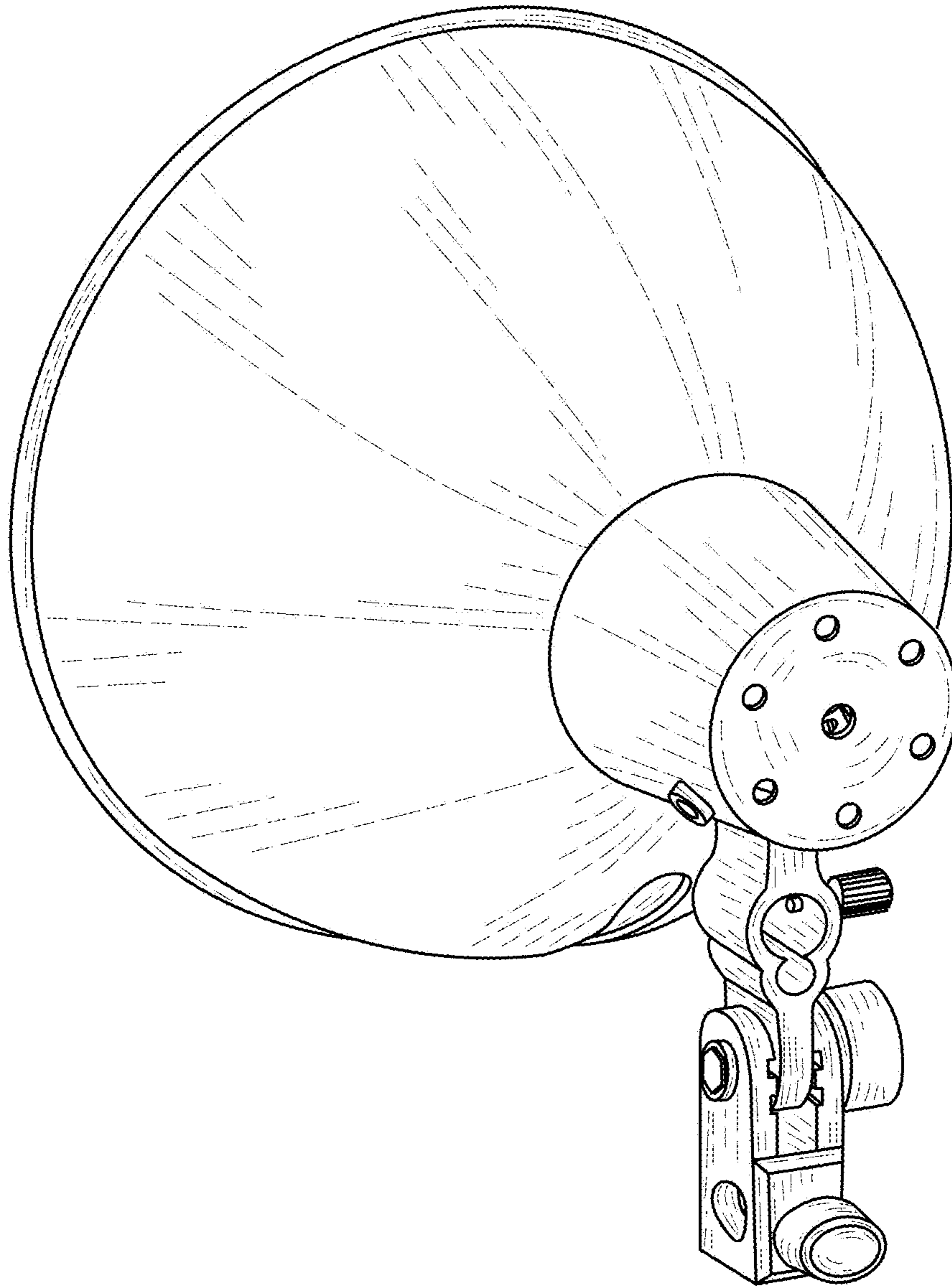


FIG. 2

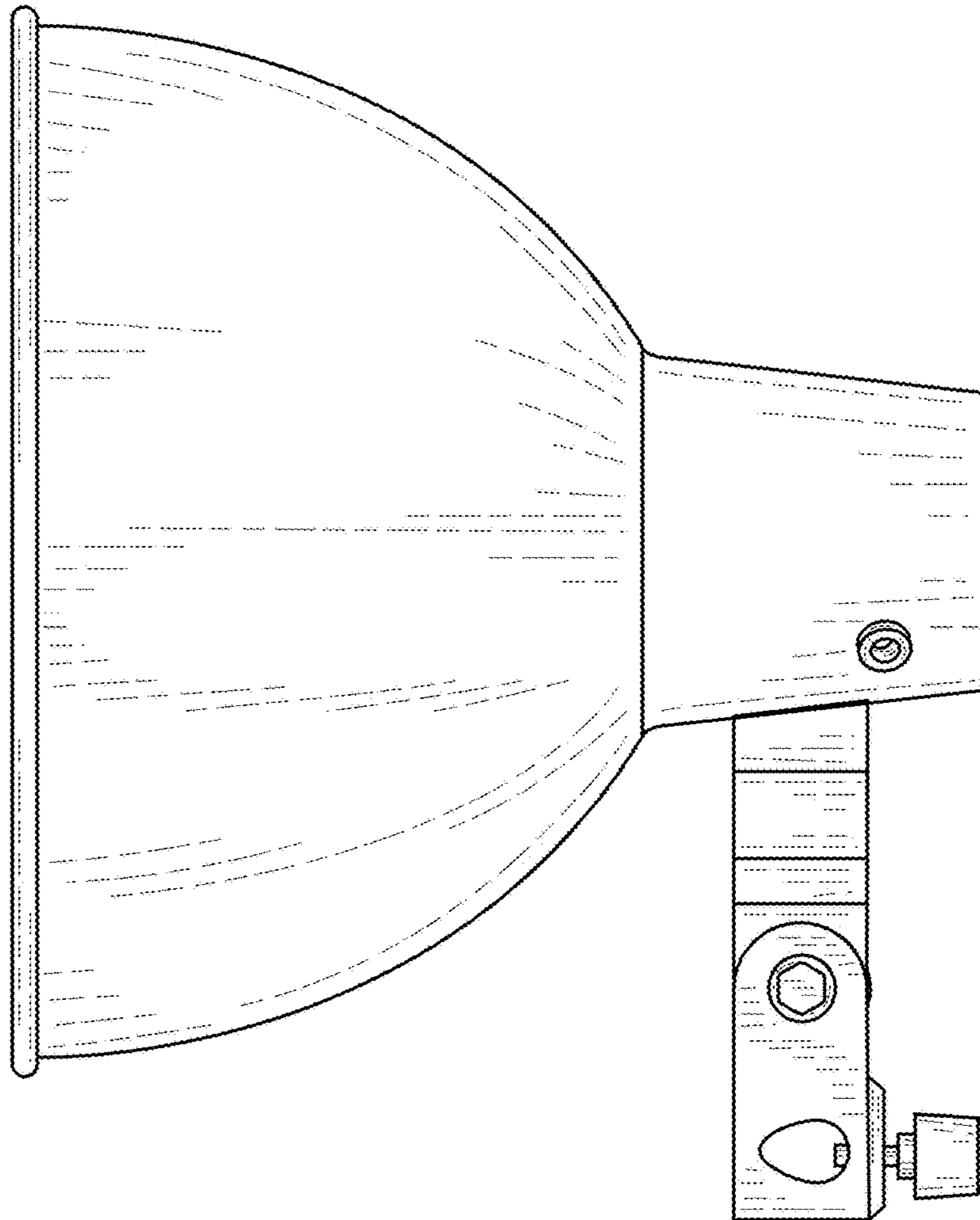


FIG. 3

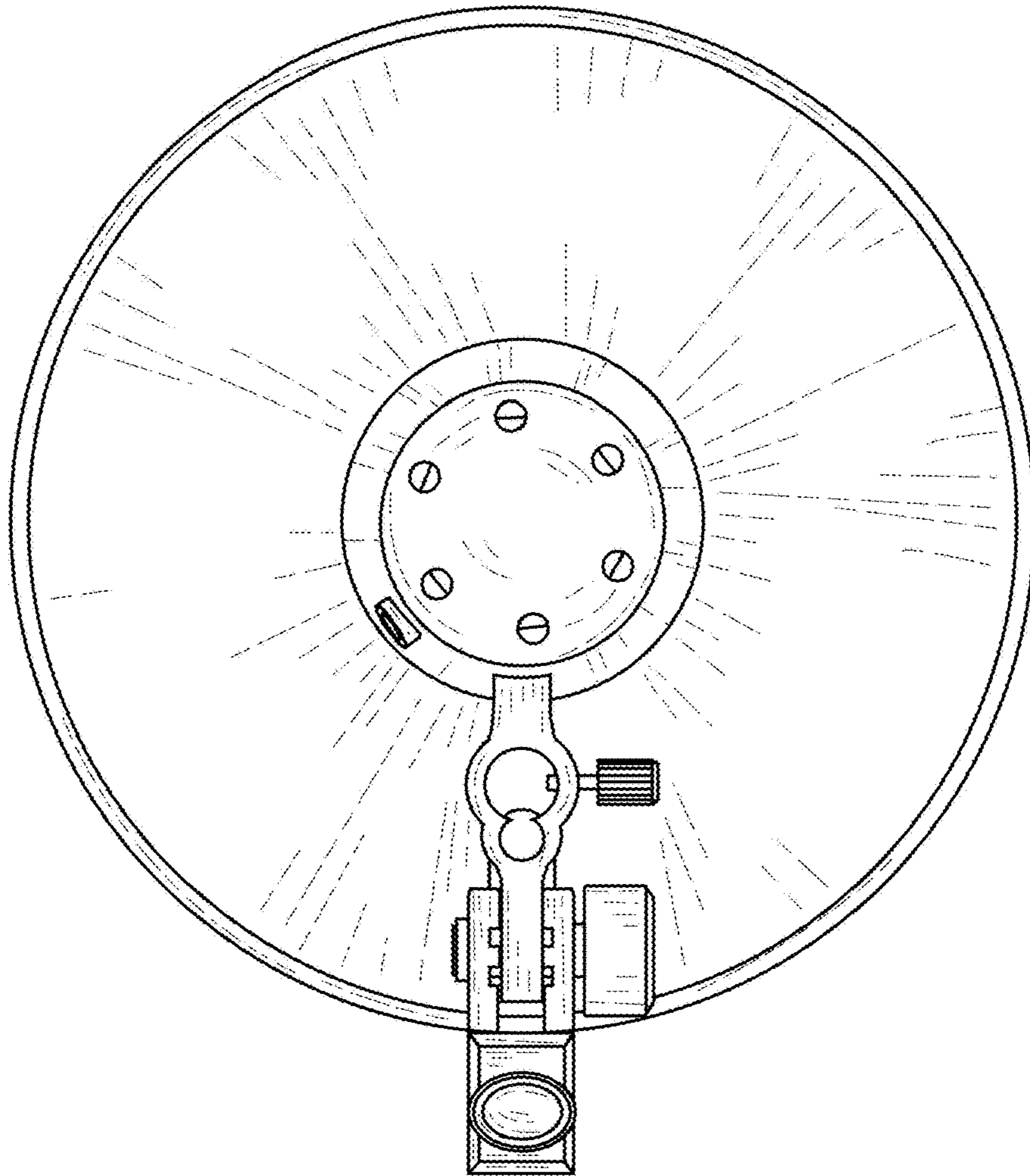


FIG. 4

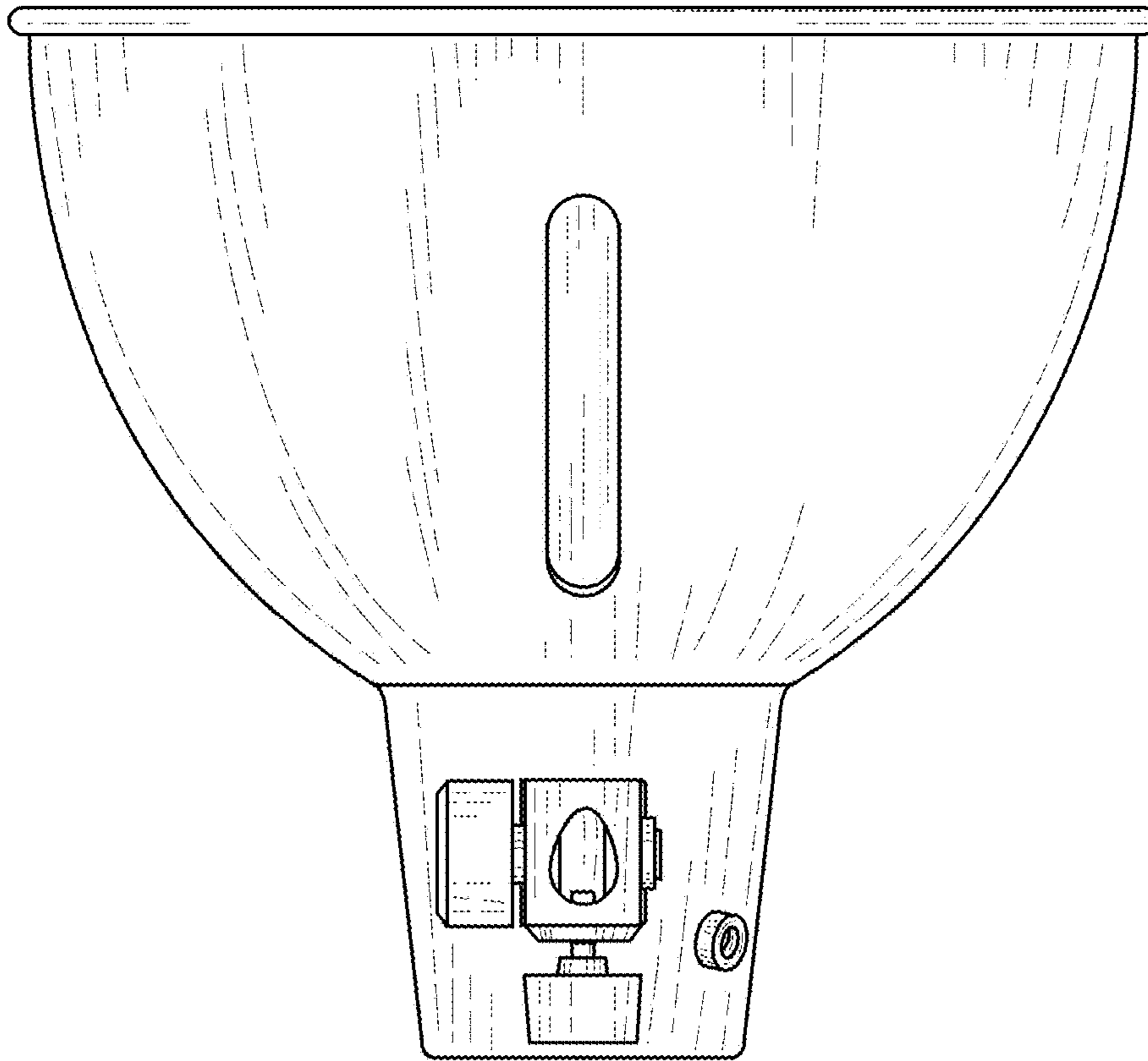


FIG. 5

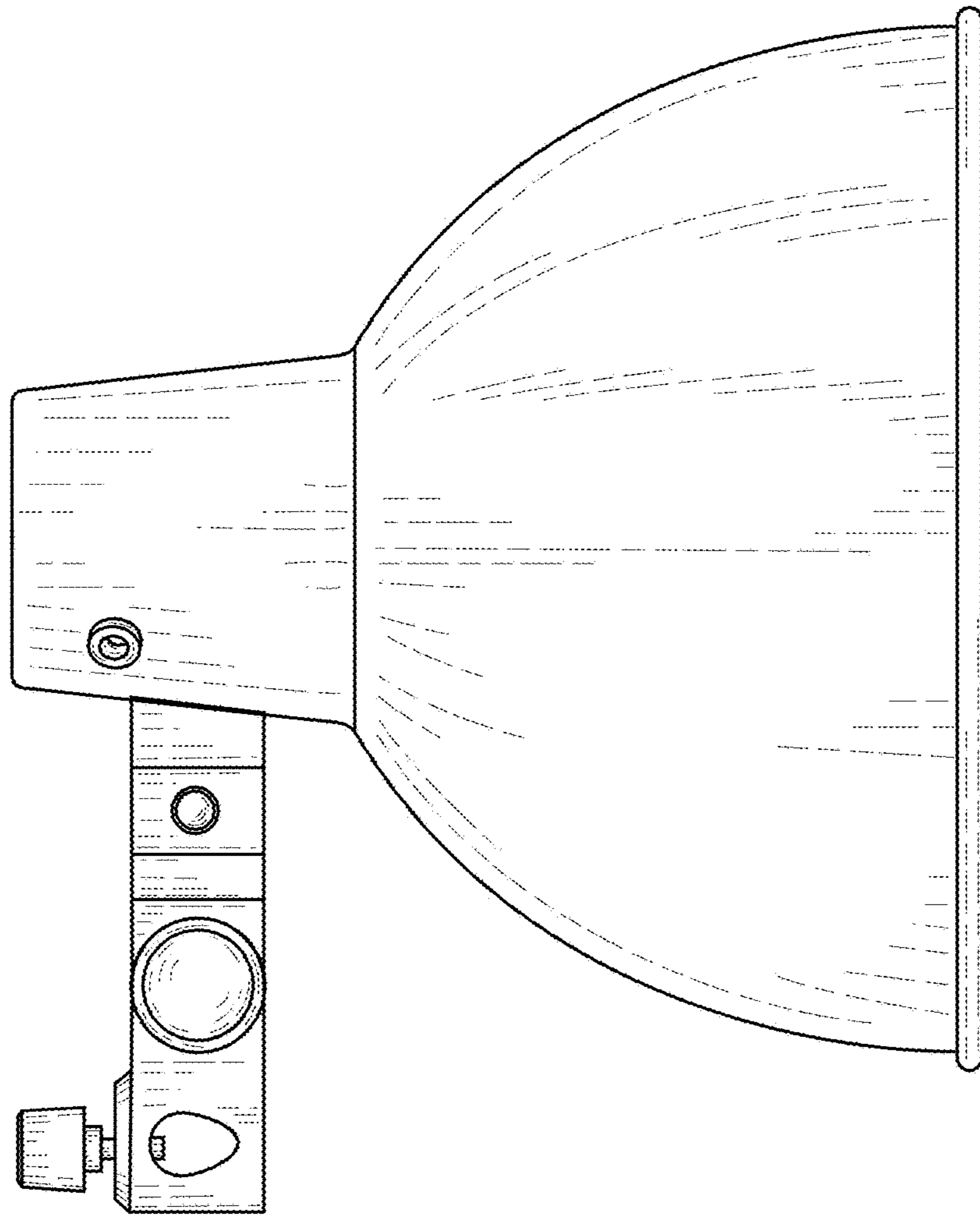


FIG. 6

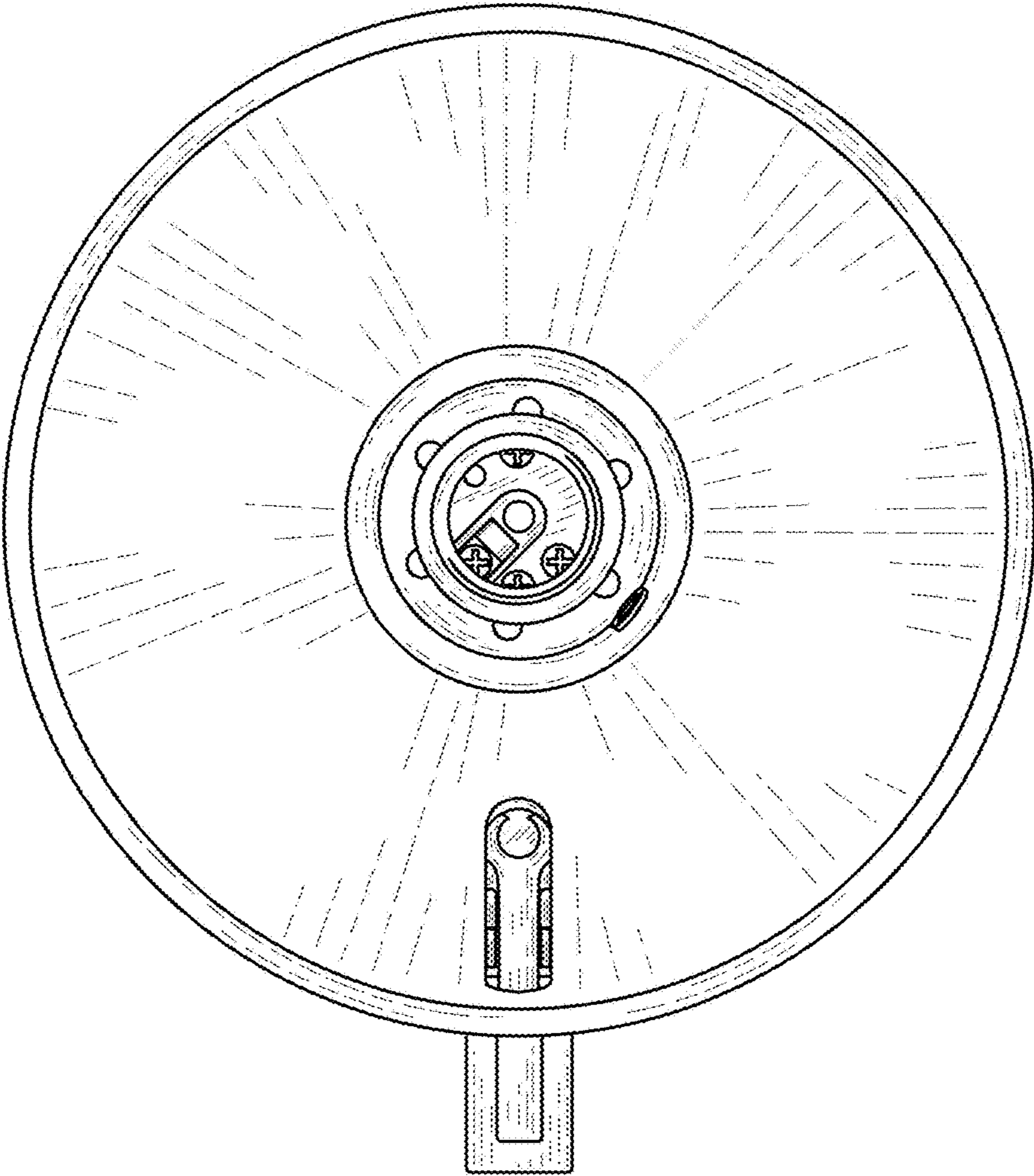


FIG. 7

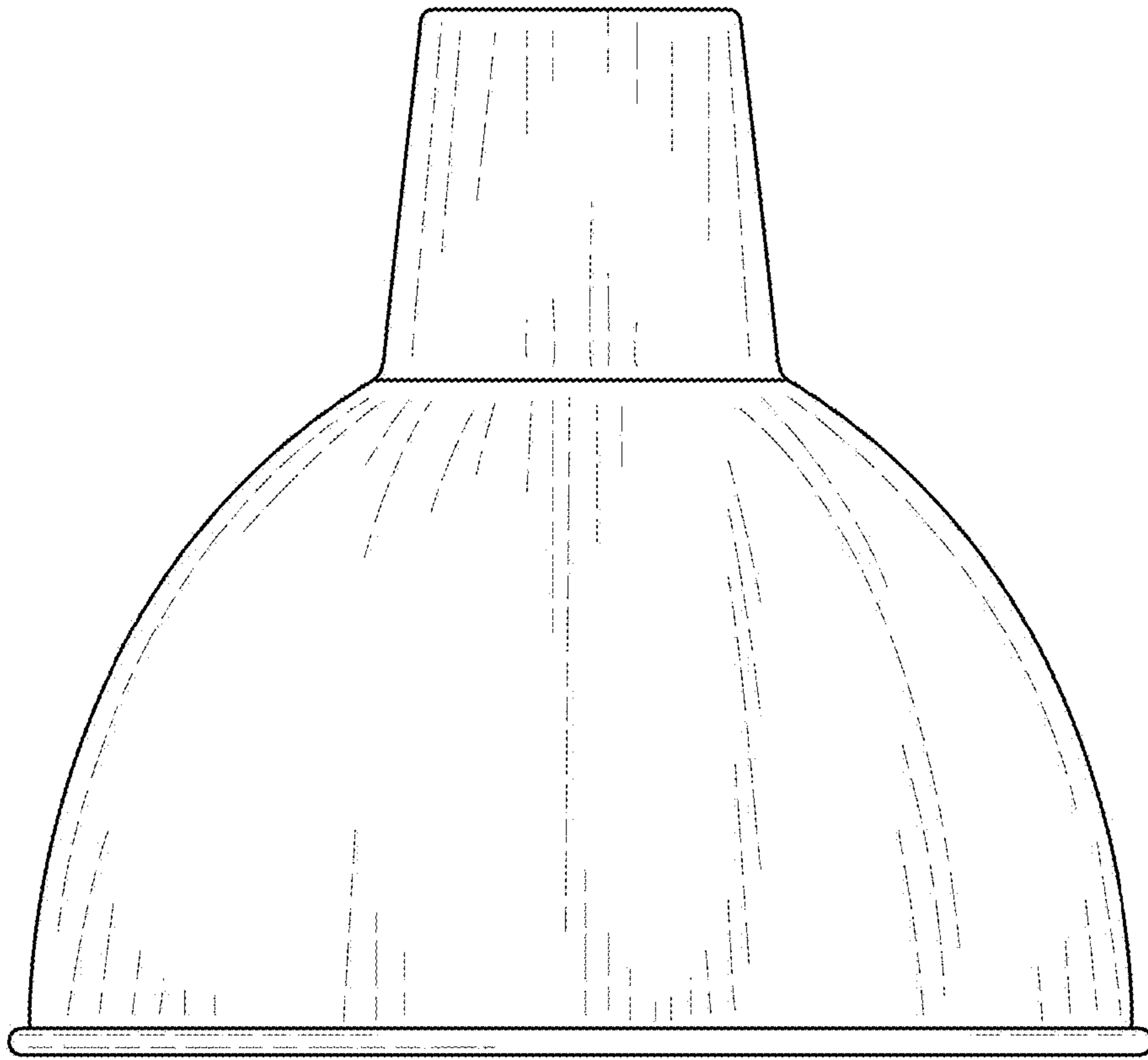


FIG. 8