



US00D850686S

(12) **United States Design Patent**
Wang et al.

(10) **Patent No.:** **US D850,686 S**
(45) **Date of Patent:** **** Jun. 4, 2019**

(54) **DESK LAMP**

(71) Applicant: **Shaoxing Prolux Lighting Co., Ltd,**
Shaoxing, Zhejiang (CN)

(72) Inventors: **Pengyun Wang,** Zhejiang (CN);
Guozheng Dai, Zhejiang (CN)

(73) Assignee: **Shaoxing Prolux Lighting Co., Ltd,**
Shaoxing (CN)

(**) Term: **15 Years**

(21) Appl. No.: **29/632,562**

(22) Filed: **Jan. 8, 2018**

(51) **LOC (11) Cl.** **26-05**

(52) **U.S. Cl.**
USPC **D26/60; D26/65**

(58) **Field of Classification Search**
USPC D26/1, 24, 60-66, 71, 72, 93, 106, 107,
D26/118
CPC F21L 4/00; F21L 4/08; F21S 6/00; F21S
6/003; F21V 21/00; F21V 21/26; F21V
21/35; F21V 23/00; F21V 23/04; F21V
33/00; F21V 1/00; F21V 17/00; F21V
17/06; F21V 17/12; F21V 17/168; F21V
21/088; F21V 21/0885; F21V 21/108
See application file for complete search history.

(56) **References Cited**

U.S. PATENT DOCUMENTS

D517,713 S *	3/2006	Waldmann	D26/60
D528,691 S *	9/2006	Waldmann	D26/60
D542,955 S *	5/2007	Hodgson	D26/60
D590,532 S *	4/2009	Levine	D26/60
D623,788 S *	9/2010	Huang	D26/65
D627,501 S *	11/2010	Lin	D26/65
D641,515 S *	7/2011	Chung	D26/63
D641,916 S *	7/2011	Witsch	D26/61
D651,734 S *	1/2012	Li	D26/63

D662,639 S *	6/2012	Ng	D26/65
D744,140 S *	11/2015	Ng	D26/63
D800,937 S *	10/2017	Li	D26/63
D803,450 S *	11/2017	Xie	D26/63
D804,071 S *	11/2017	Xu	D26/63
D804,072 S *	11/2017	Xu	D26/63
D815,326 S *	4/2018	Waldmann	D26/60
D835,318 S *	12/2018	Kaluza	D26/60
2013/0329431 A1 *	12/2013	Lin	F21V 33/0052 362/253
2018/0058647 A1 *	3/2018	He	F21L 4/08

FOREIGN PATENT DOCUMENTS

CN	202708795	*	1/2013
KR	2012-0111032	*	10/2012
KR	2016-0089098	*	7/2016

* cited by examiner

Primary Examiner — Angela J Lee
Assistant Examiner — Shawn T Gingrich

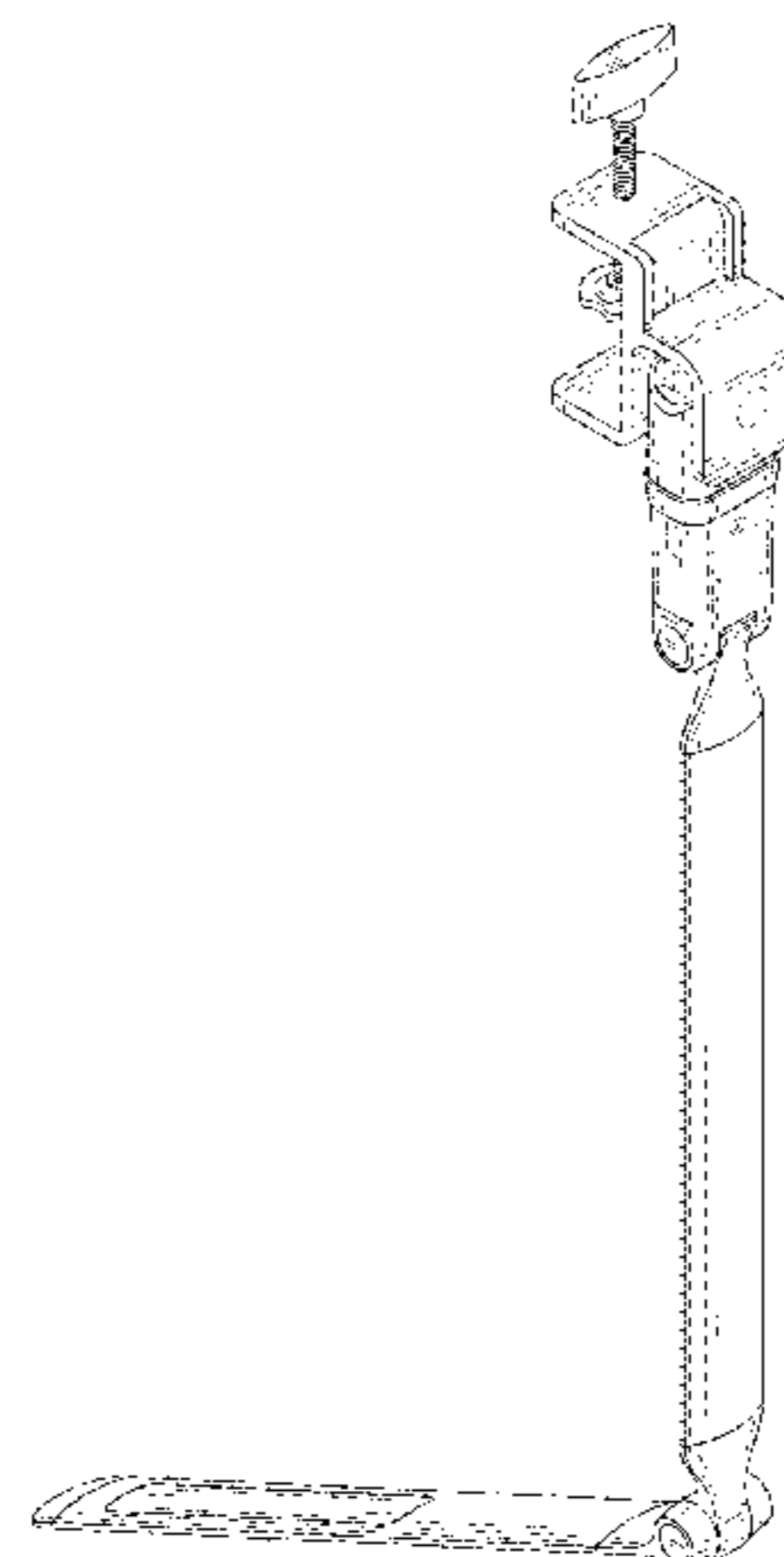
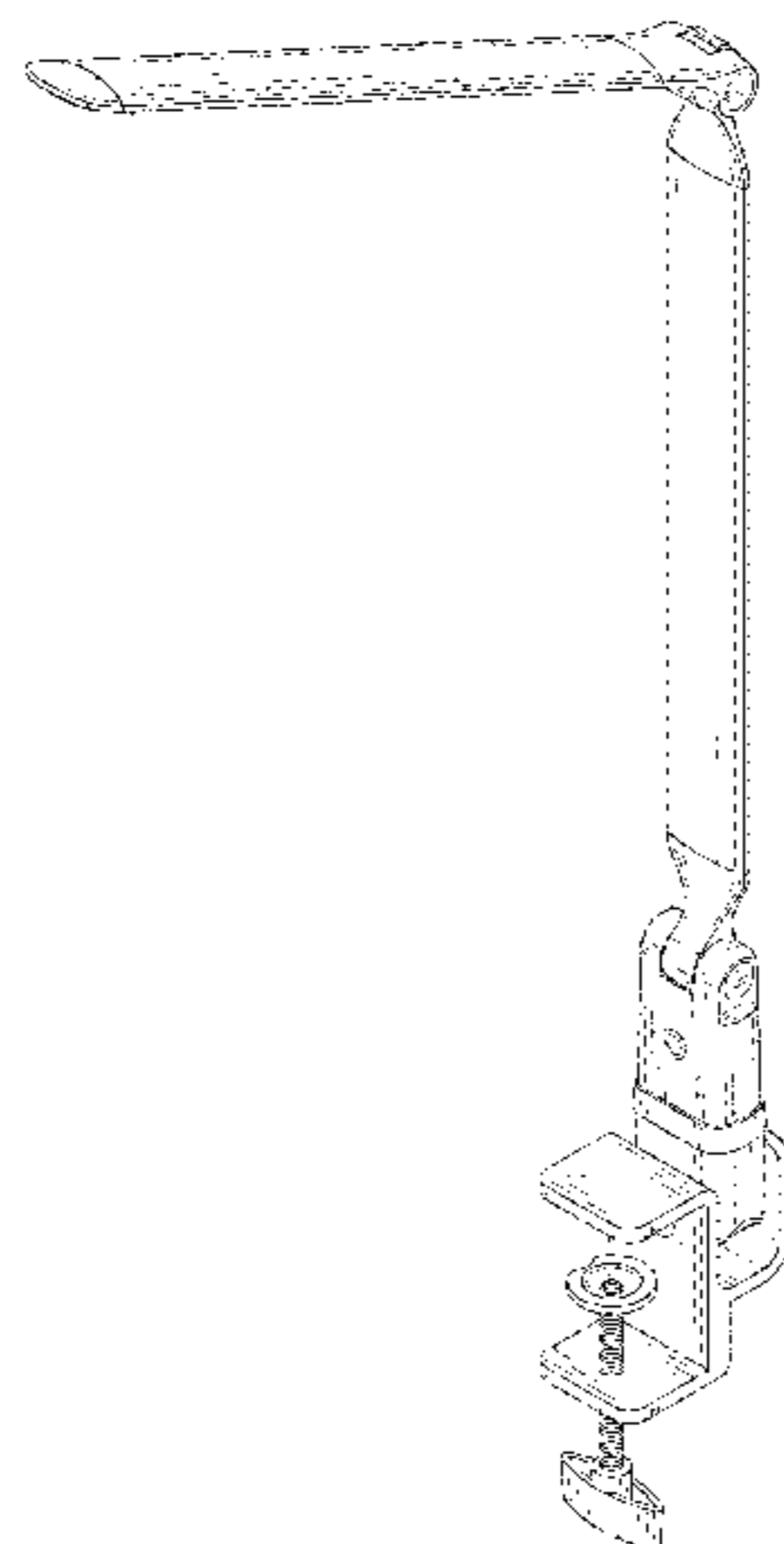
(57) **CLAIM**

The ornamental design for a desk lamp, as shown and described.

DESCRIPTION

FIG. 1 is a first perspective view of a desk lamp showing our new design;
FIG. 2 is a second perspective view thereof;
FIG. 3 is a front elevational view thereof;
FIG. 4 is a rear elevational view thereof;
FIG. 5 is a left side view thereof;
FIG. 6 is a right side view thereof;
FIG. 7 is a top plan view thereof;
FIG. 8 is a bottom plan view thereof;
FIG. 9 is an enlarged view of portion 9 in FIG. 5; and,
FIG. 10 is an enlarged view of portion 10 in FIG. 7.
The broken lines in the drawings illustrate portions of the desk lamp which form no part of the claimed design.

1 Claim, 10 Drawing Sheets



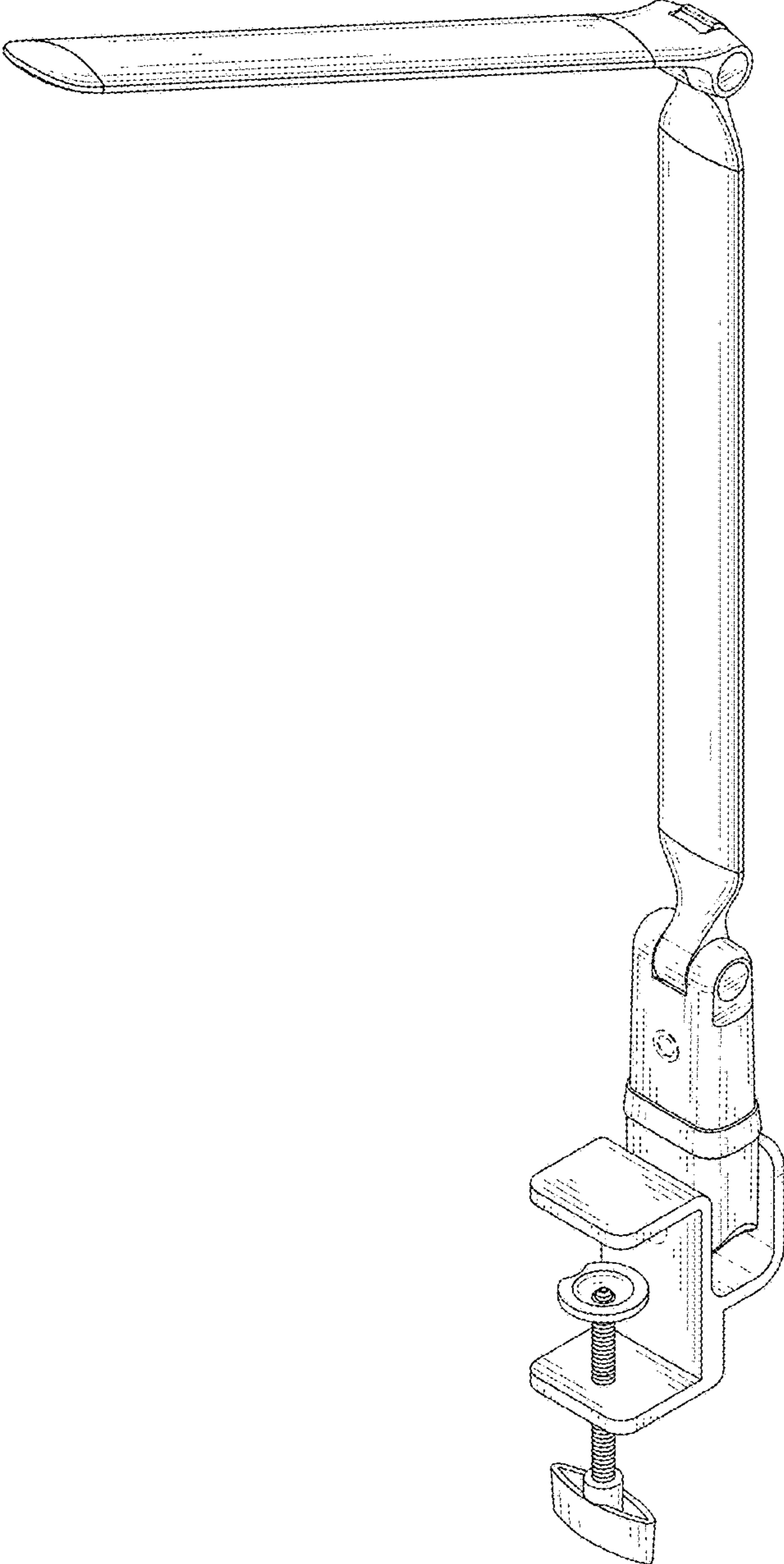


Fig. 1

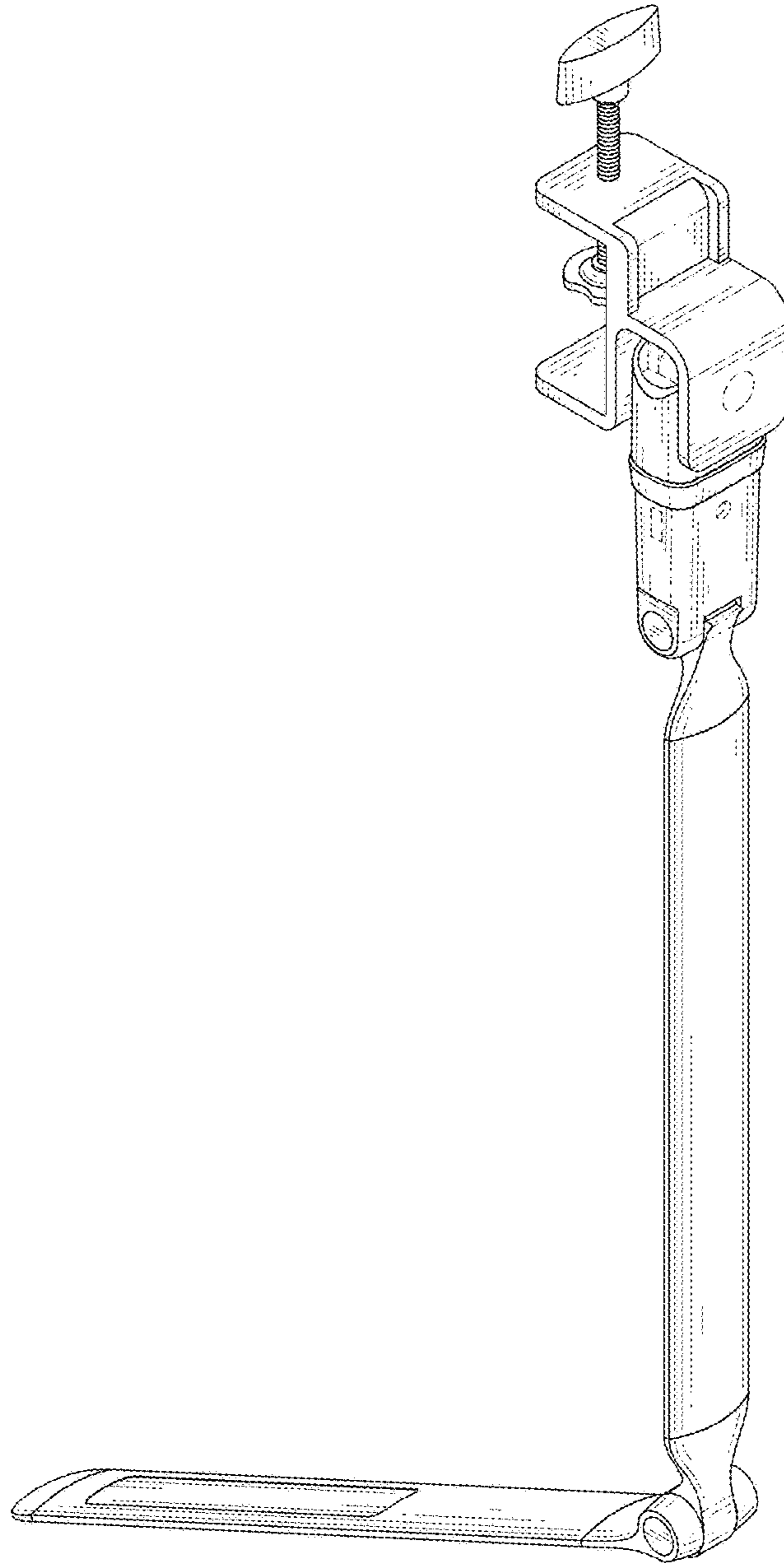


Fig. 2

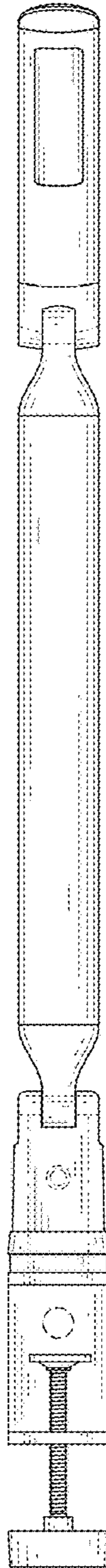


Fig. 3

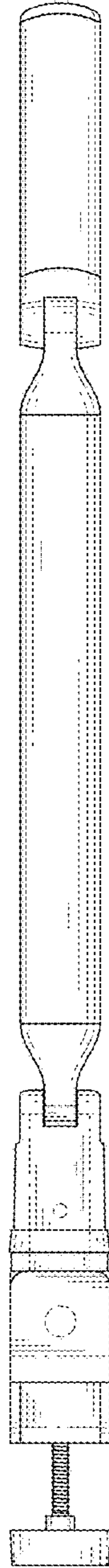


Fig. 4

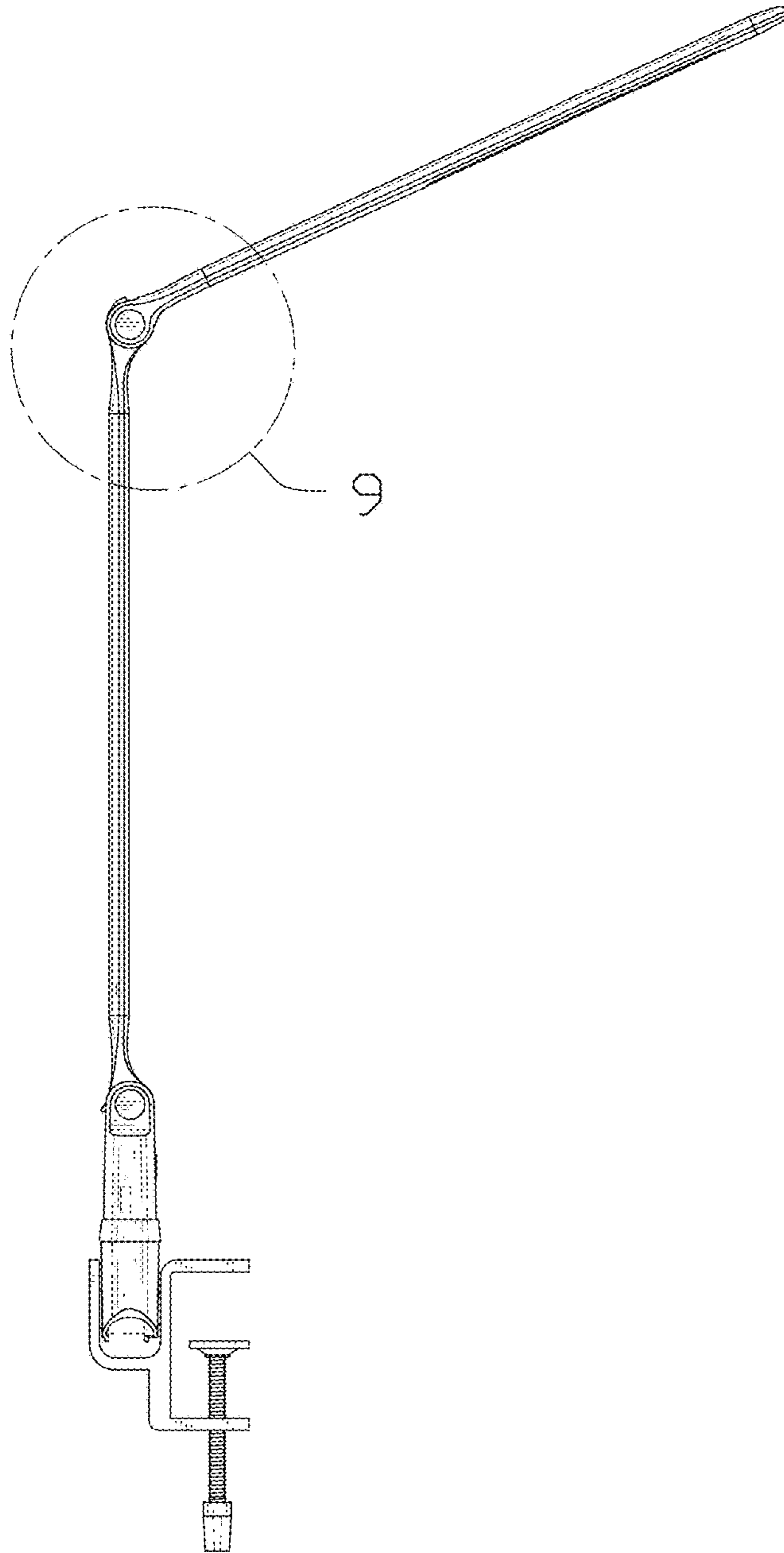


Fig. 5

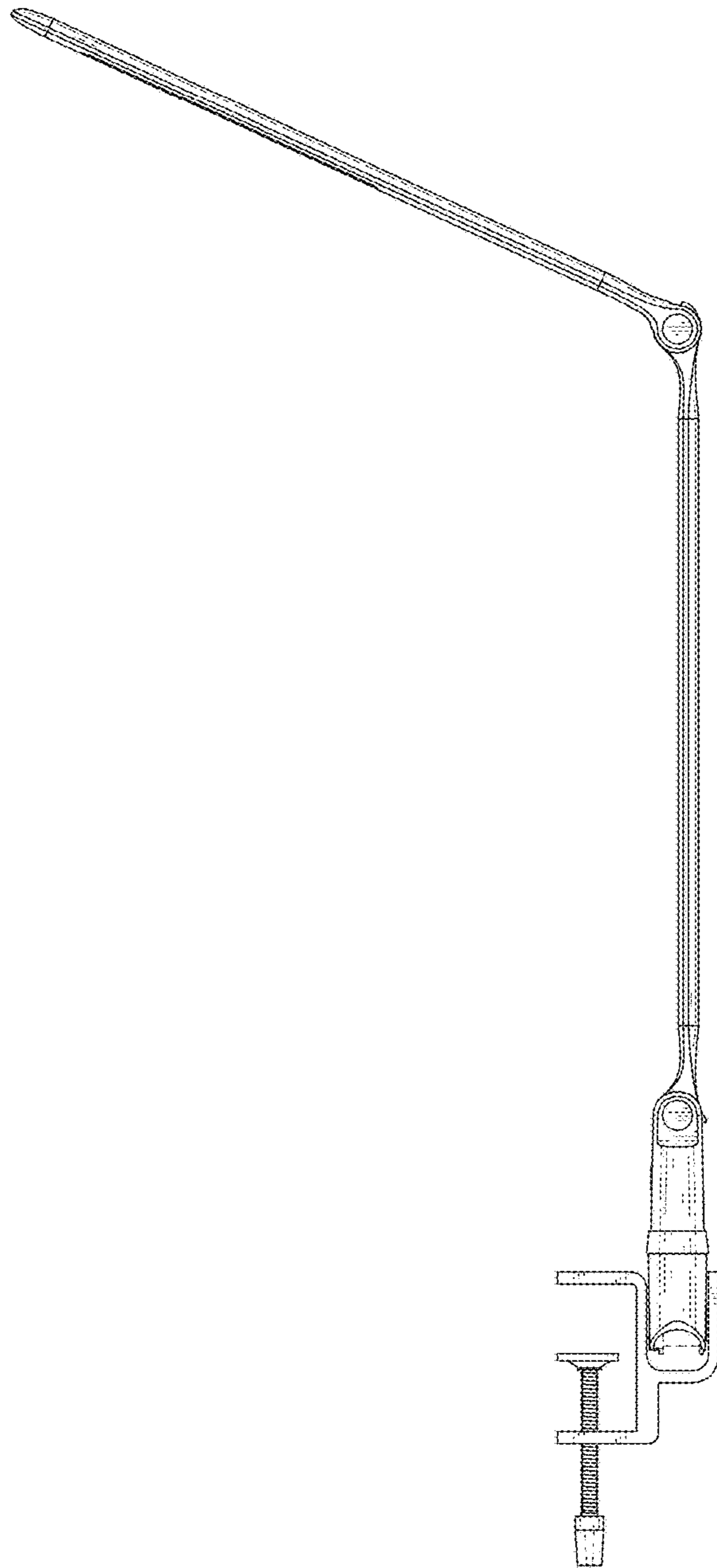


Fig. 6

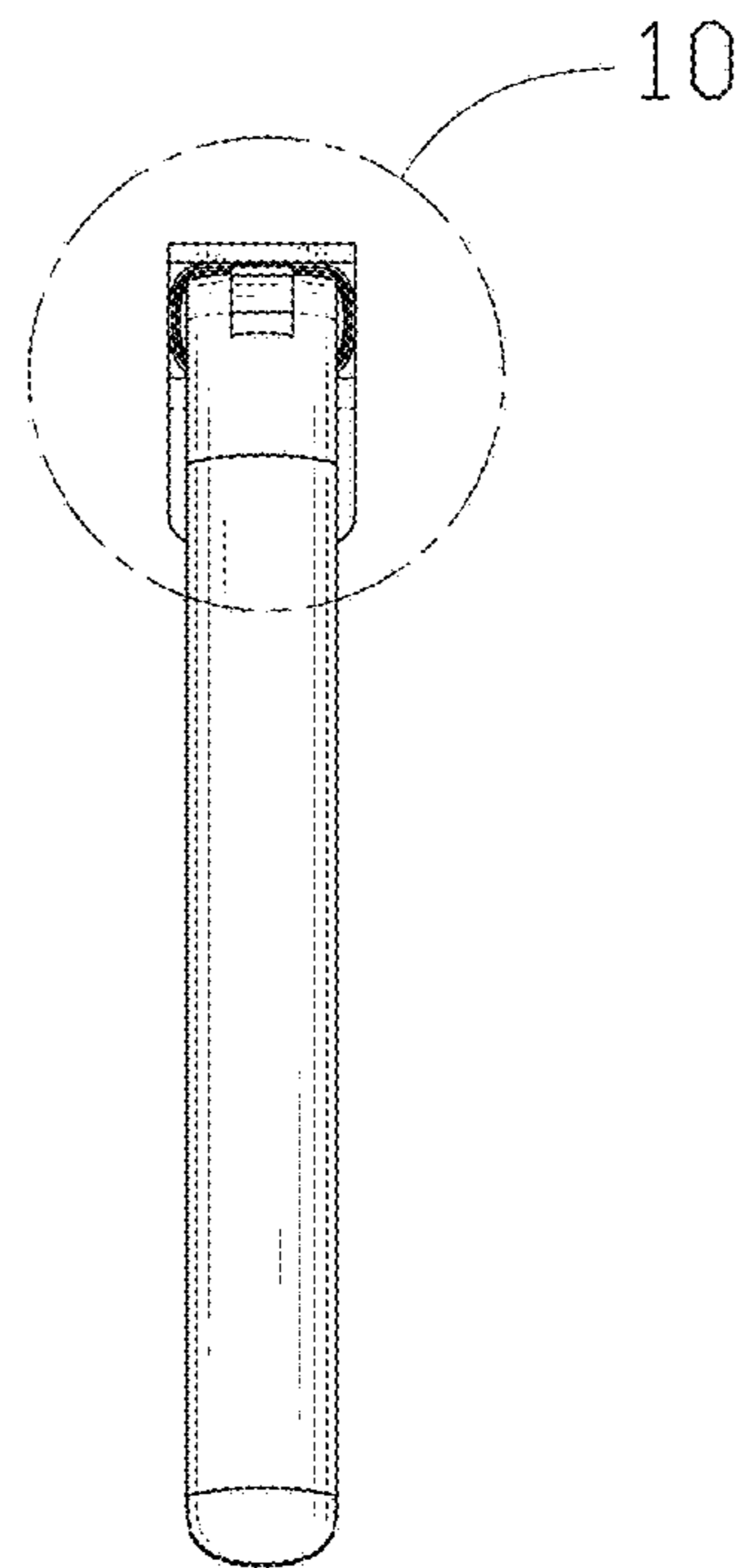


Fig. 7

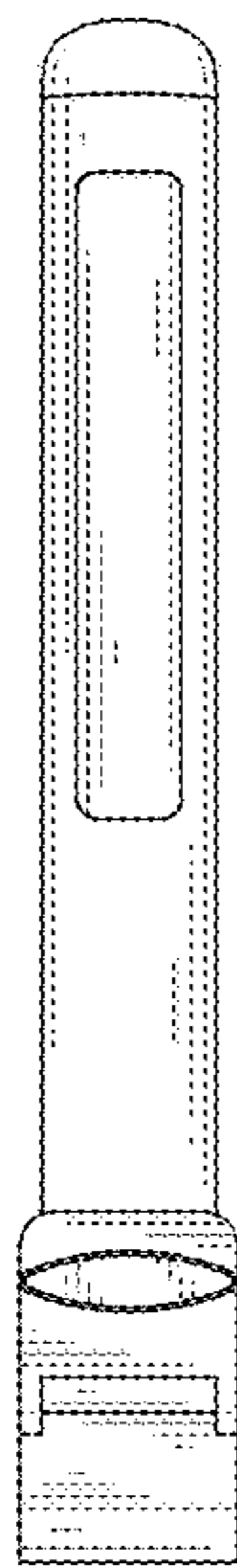


Fig. 8

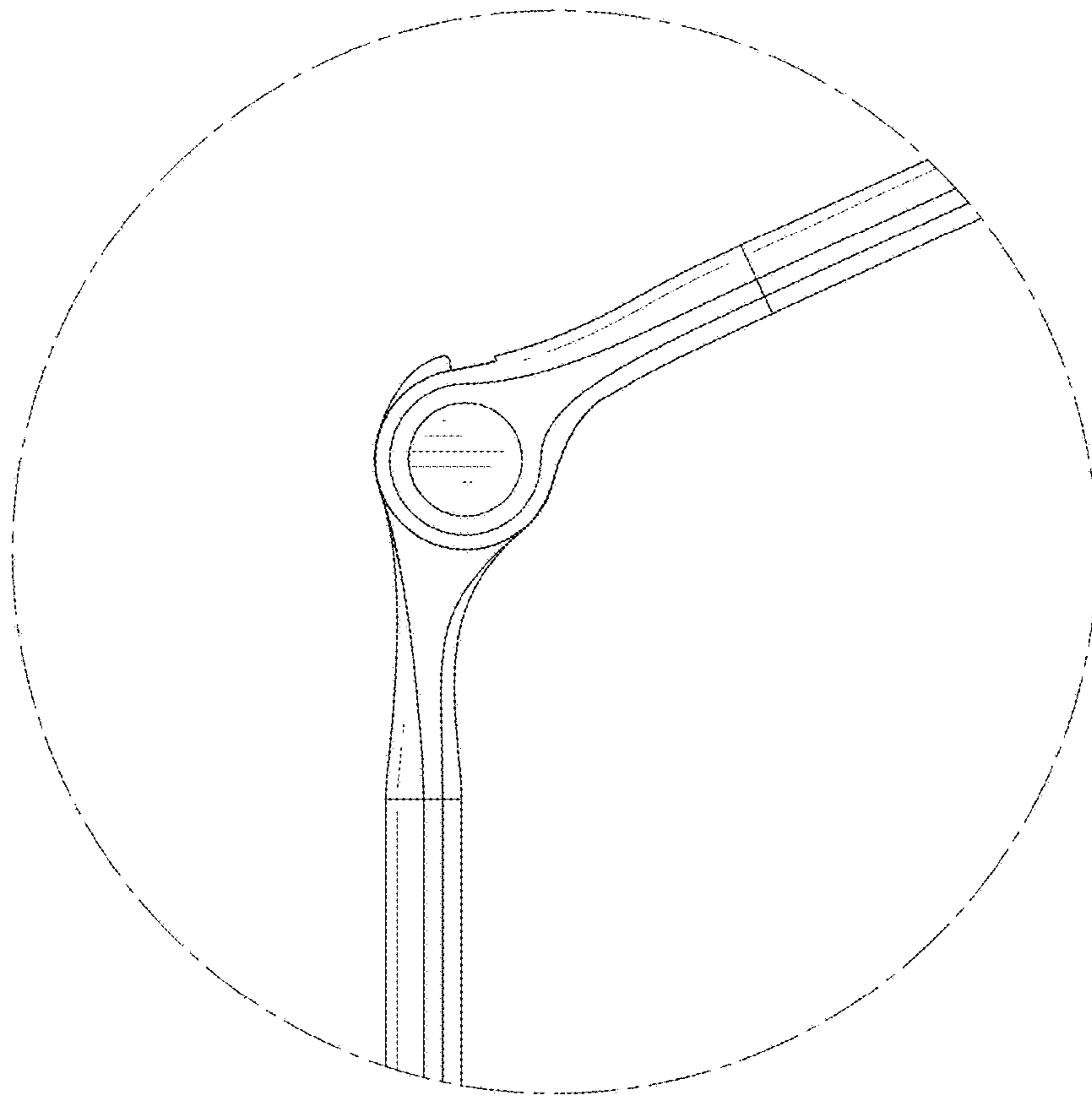


Fig. 9

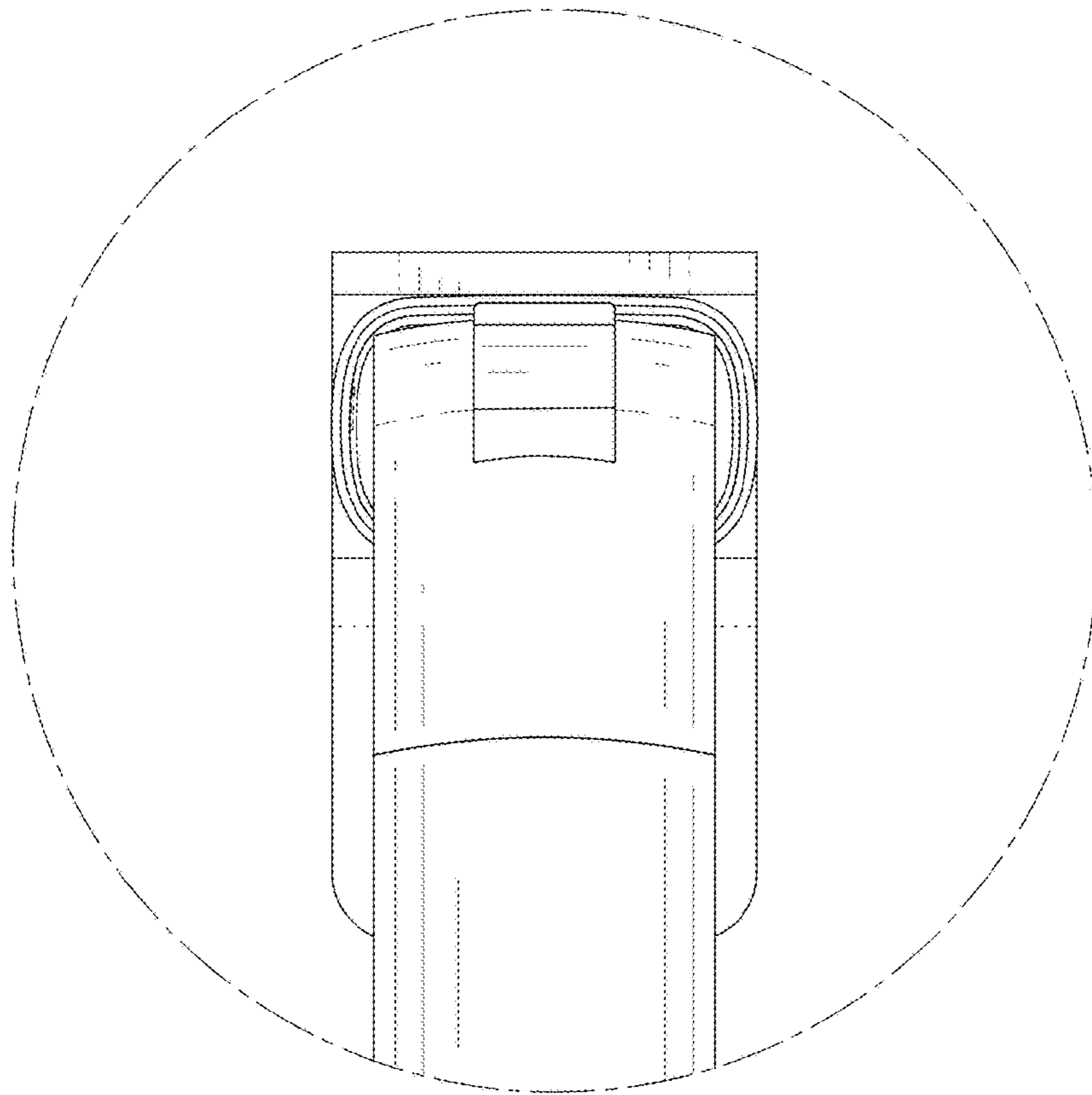


Fig. 10