



US00D850685S

(12) **United States Design Patent**
Inskeep et al.

(10) **Patent No.:** **US D850,685 S**
(45) **Date of Patent:** **** Jun. 4, 2019**

(54) **WORK LIGHT**

(71) Applicants: **Mathew Inskeep**, Highland Beach, FL
(US); **Ling To Shum**, Boca Raton, FL
(US)

(72) Inventors: **Mathew Inskeep**, Highland Beach, FL
(US); **Ling To Shum**, Boca Raton, FL
(US)

(**) Term: **15 Years**

(21) Appl. No.: **29/604,185**

(22) Filed: **May 16, 2017**

(51) **LOC (11) Cl.** **26-05**

(52) **U.S. Cl.**
USPC **D26/51; D26/42**

(58) **Field of Classification Search**
USPC D26/37-51
CPC F21L 2003/00; F21L 4/00; F21L 4/005;
F21L 4/02; F21L 4/025; F21L 4/027;
F21L 4/04; F21L 4/08; F21L 2005/00;
F21L 7/00; F21L 11/00; F21L 13/00;
F21L 13/04; F21L 13/08; F21L 14/02;
F21L 17/00; F21L 19/00; F21L 25/00
See application file for complete search history.

(56) **References Cited**

U.S. PATENT DOCUMENTS

D663,454 S * 7/2012 Sham D26/37
D704,367 S * 5/2014 Kingston D26/43
D737,487 S * 8/2015 Beckett D26/38
D747,263 S * 1/2016 Lafferty D13/102

D760,414 S * 6/2016 Brown D26/37
D764,087 S * 8/2016 Workman D26/37
D765,897 S * 9/2016 Dir D26/39
D782,717 S * 3/2017 Dir D26/39
D787,728 S * 5/2017 Wing D26/37
D803,440 S * 11/2017 Tompkin D26/37
D805,666 S * 12/2017 Nguyen D26/37
D805,667 S * 12/2017 Green D26/39
D806,294 S * 12/2017 Nguyen D26/37

* cited by examiner

Primary Examiner — Lakiya G Rogers

Assistant Examiner — Carissa C Fitts

(74) *Attorney, Agent, or Firm* — Daniel S. Polley, P.A.

(57) **CLAIM**

We claim the ornamental design for a work light, as shown and described.

DESCRIPTION

FIG. 1 is a top perspective view of the work light showing our new design.

FIG. 2 is a bottom back facing perspective view thereof.

FIG. 3 is a top perspective view thereof with the light panel tilted at an angle.

FIG. 4 is a top view thereof.

FIG. 5 is a bottom view thereof.

FIG. 6 is a left side view thereof.

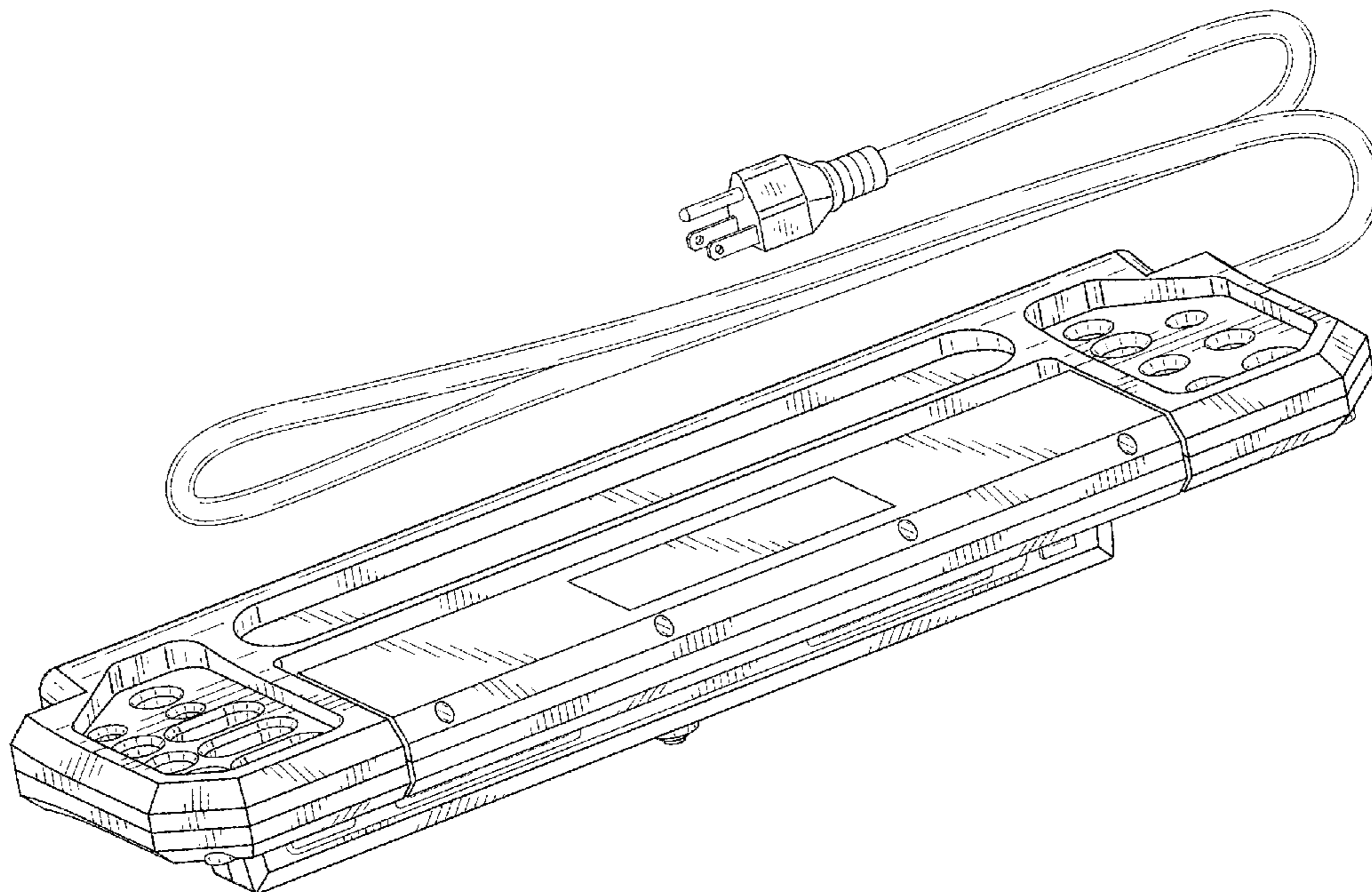
FIG. 7 is a right side view thereof.

FIG. 8 is a front facing view thereof; and,

FIG. 9 is a back facing view thereof.

The broken line showing in FIG. 9 is for environmental purposes only. All other broken lines show portions of the article which form no part of the claimed design.

1 Claim, 7 Drawing Sheets



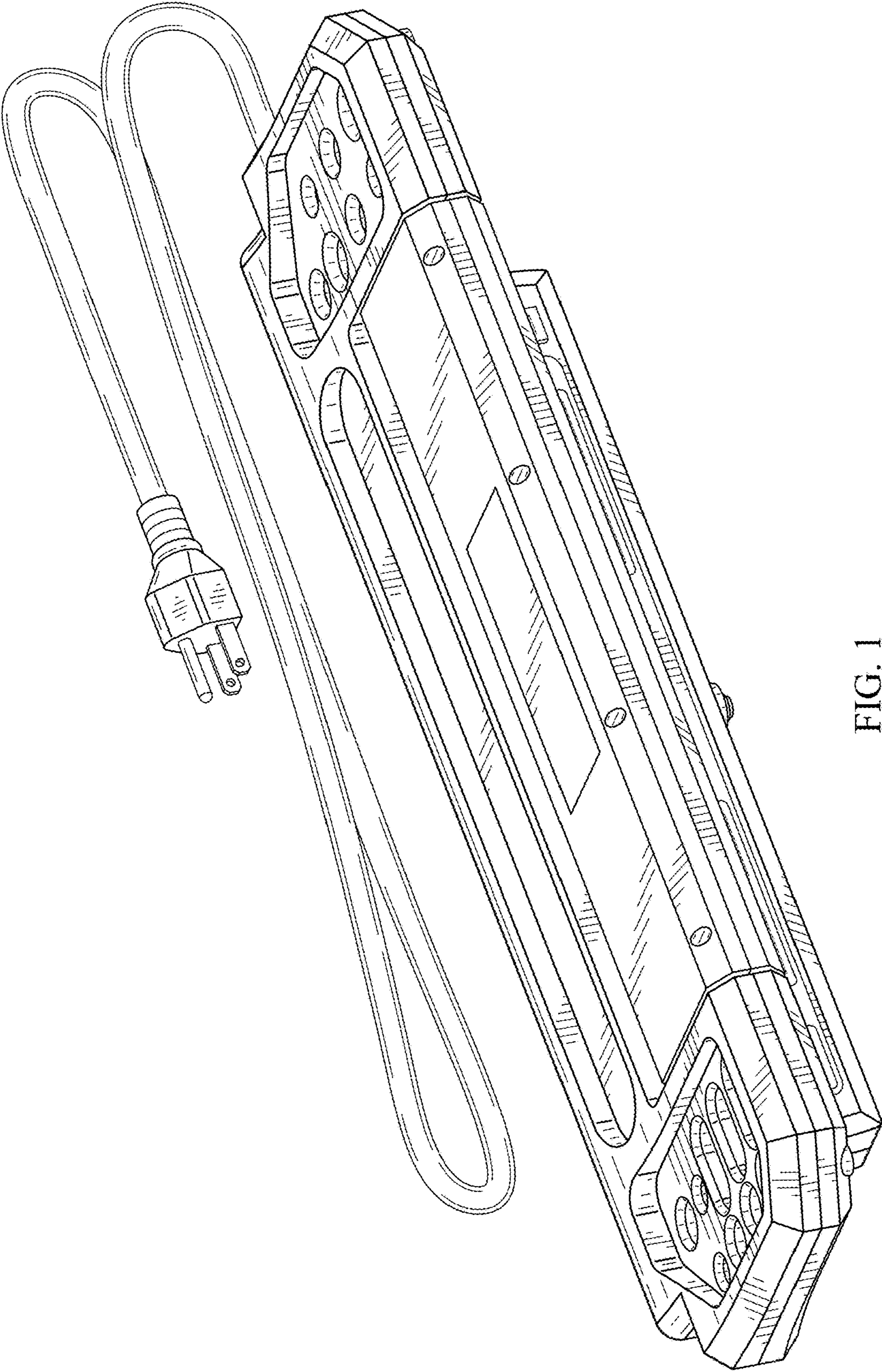


FIG. 1

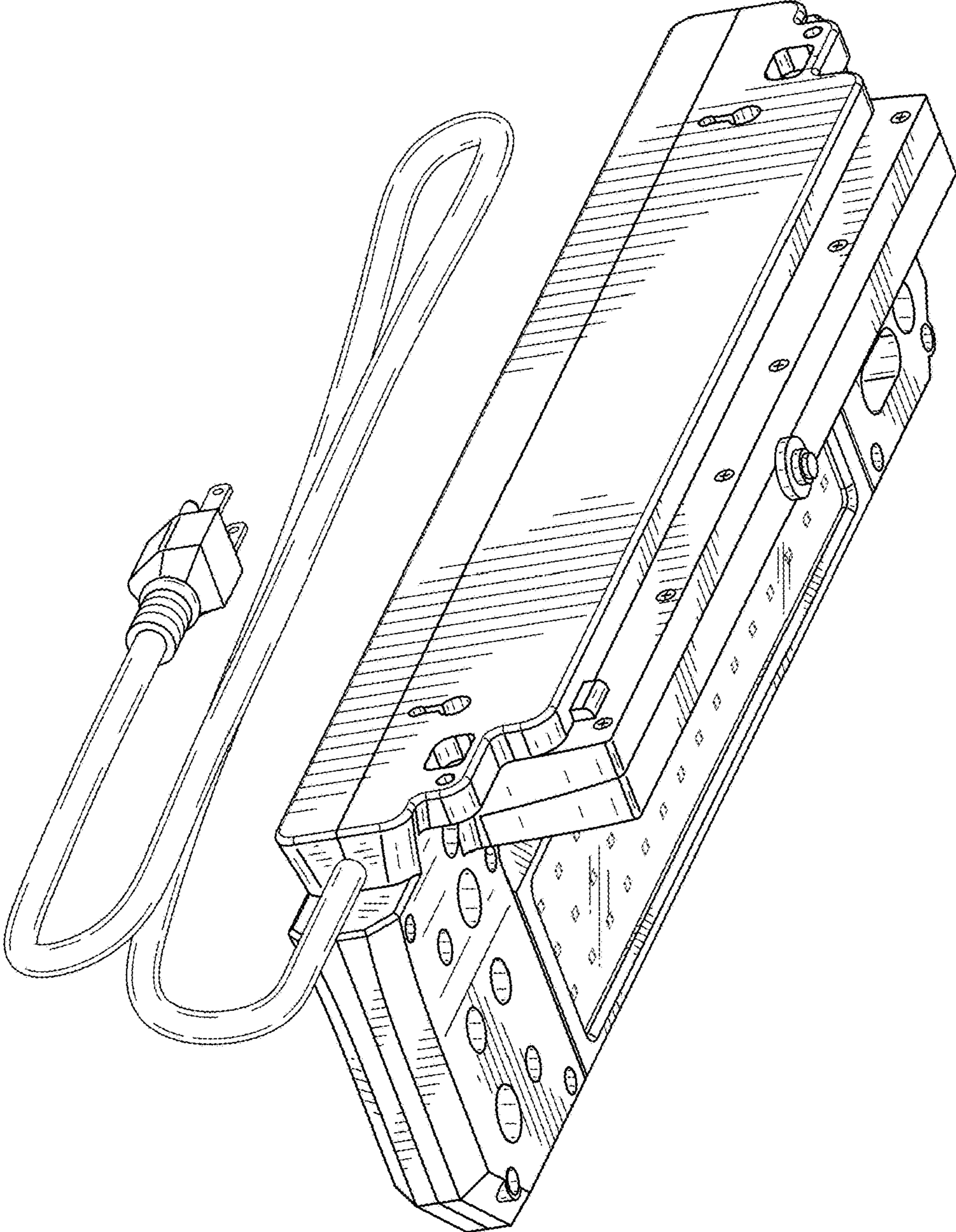


FIG. 2

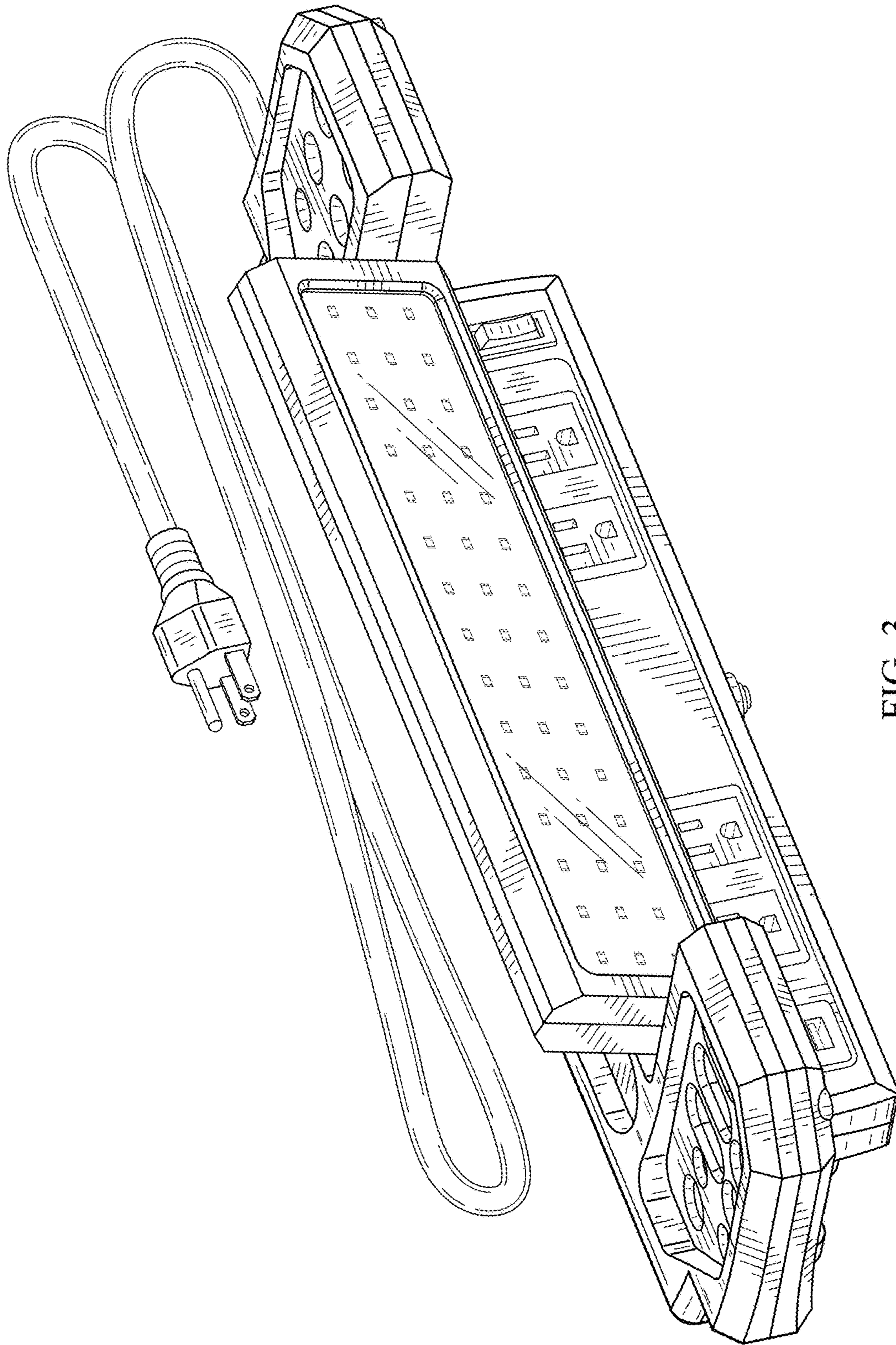


FIG. 3

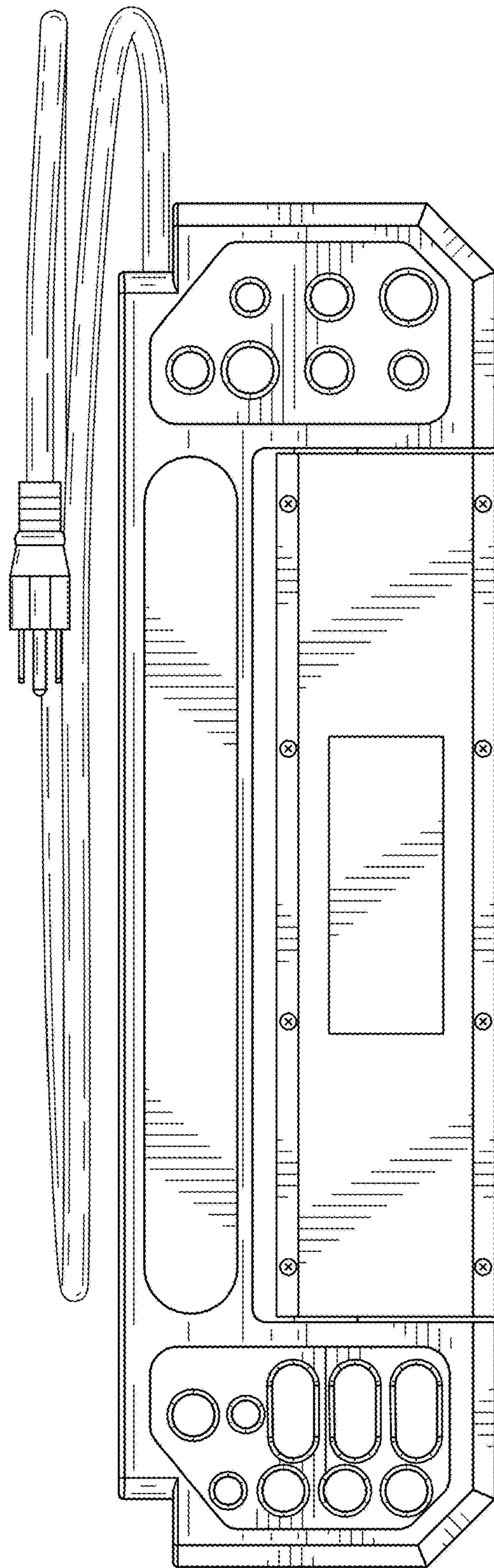


FIG. 4

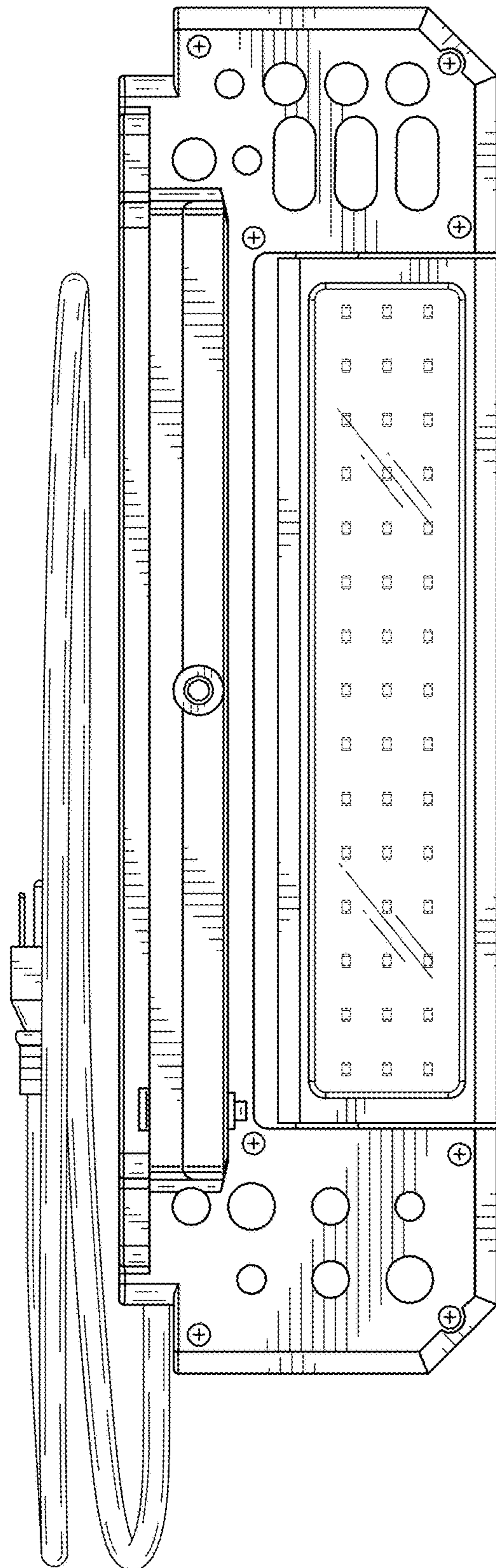


FIG. 5

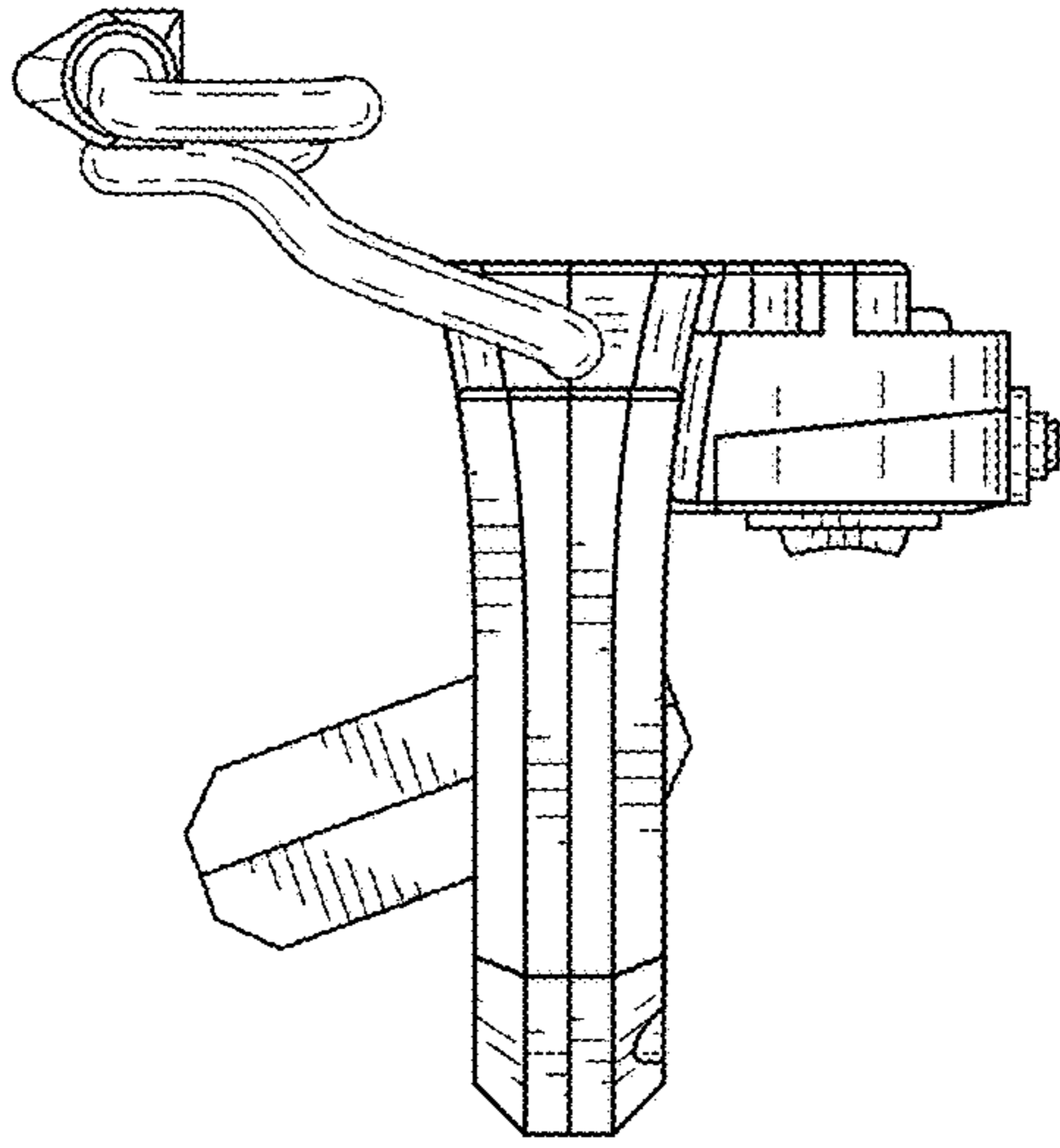


FIG. 7

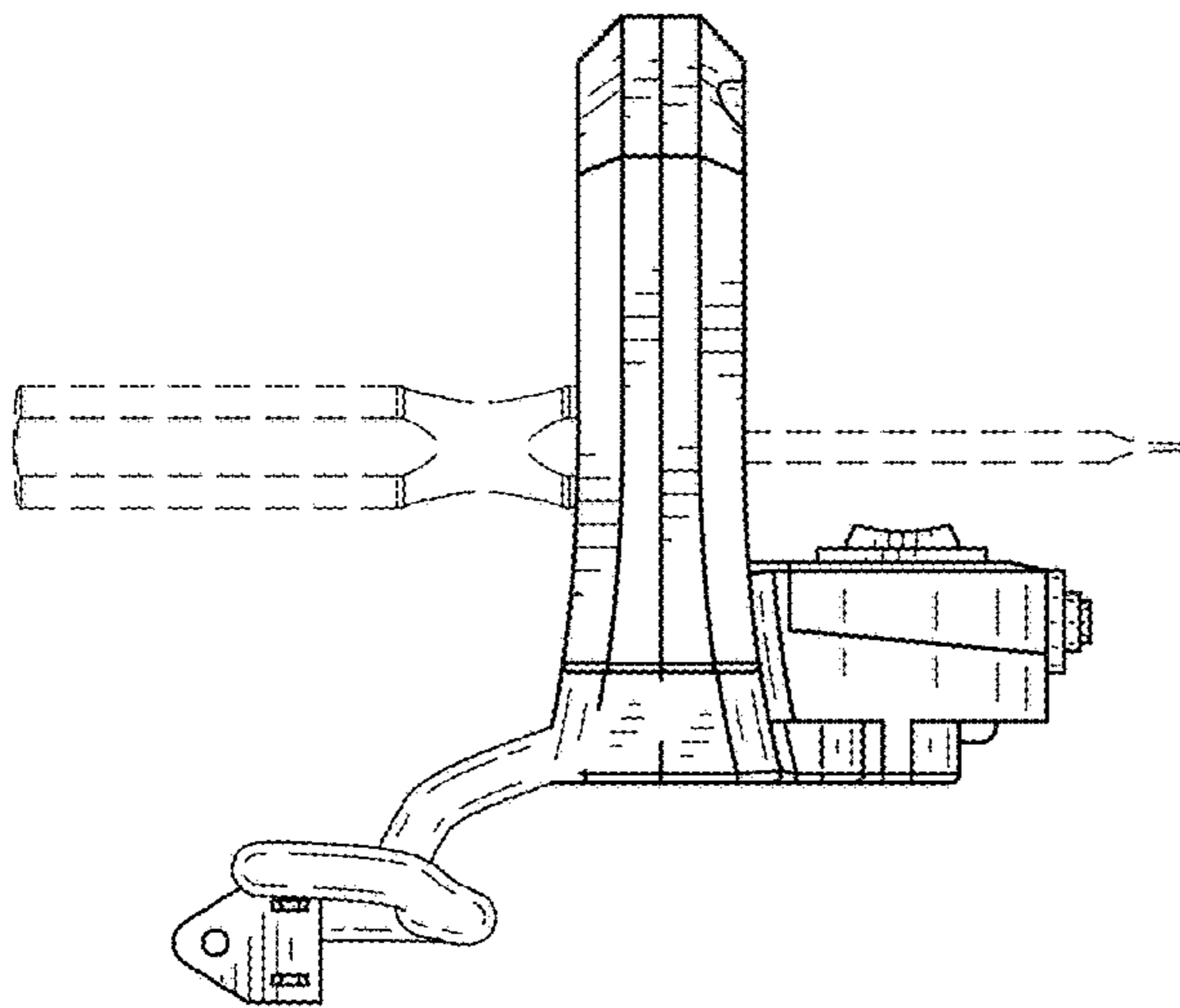


FIG. 6

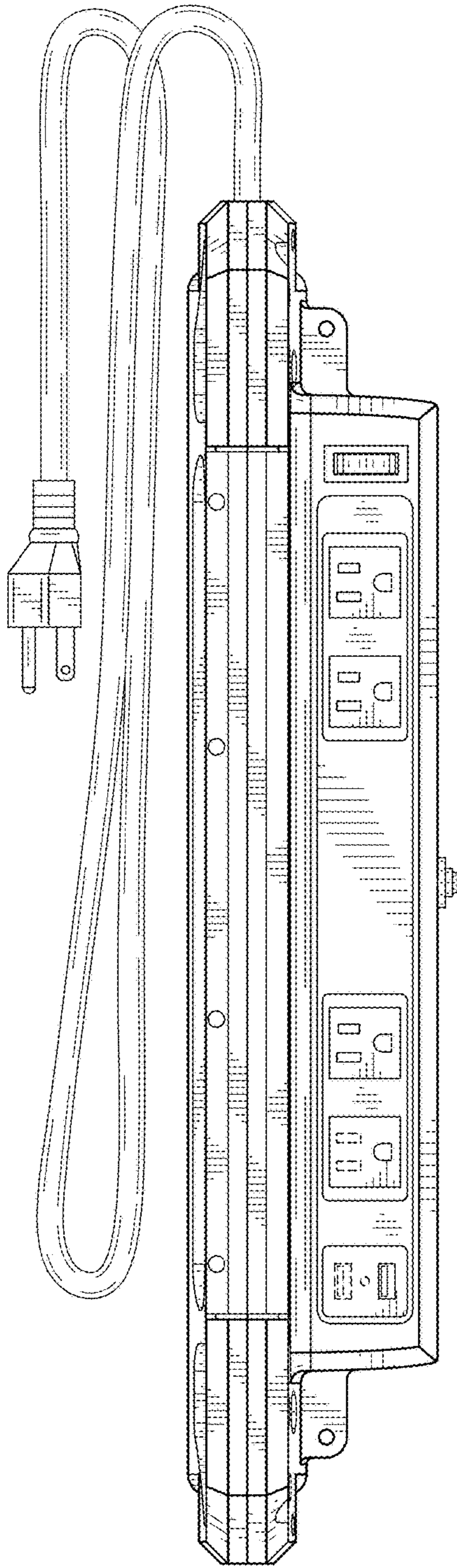


FIG. 8

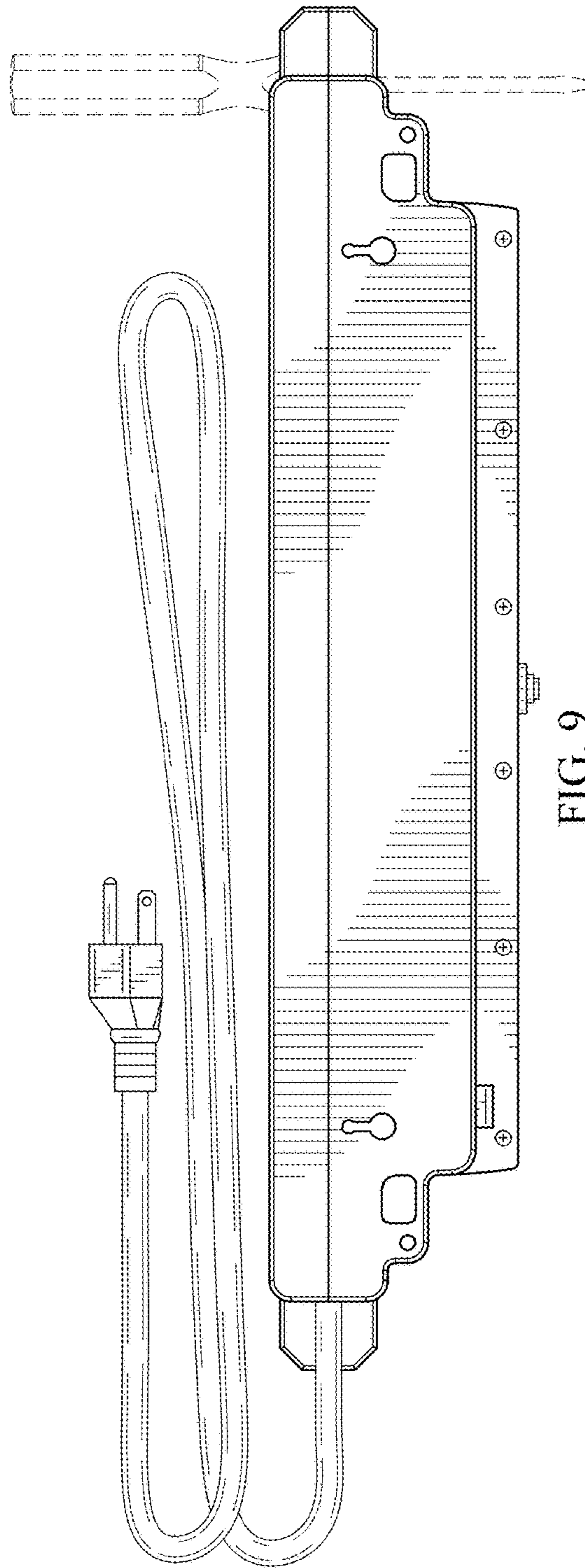


FIG. 9