



US00D850684S

(12) **United States Design Patent**  
**Zhang**

(10) **Patent No.:** **US D850,684 S**  
(45) **Date of Patent:** **\*\* Jun. 4, 2019**

(54) **WORK LAMP**

(71) Applicant: **YUYAO JINFENG ELECTRIC APPLIANCE CO., LTD**, Zhejiang (CN)

(72) Inventor: **Jifeng Zhang**, Zhejiang (CN)

(73) Assignee: **YUYAO JINFENG ELECTRIC APPLIANCE CO., LTD.**, Zhejiang (CN)

(\*\*) Term: **15 Years**

(21) Appl. No.: **29/611,697**

(22) Filed: **Jul. 25, 2017**

(30) **Foreign Application Priority Data**

Feb. 13, 2017 (CN) ..... 2017 3 0037808

(51) **LOC (11) Cl.** ..... **26-02**

(52) **U.S. Cl.**  
USPC ..... **D26/42; D26/44**

(58) **Field of Classification Search**  
USPC ..... D26/37-51  
CPC ..... F21L 2003/00; F21L 4/00; F21L 4/005; F21L 4/02; F21L 4/025; F21L 4/027; F21L 4/04; F21L 4/08; F21L 2005/00; F21L 7/00; F21L 11/00; F21L 13/00; F21L 13/04; F21L 13/08; F21L 14/02; F21L 17/00; F21L 19/00; F21L 25/00  
See application file for complete search history.

(56) **References Cited**

**U.S. PATENT DOCUMENTS**

D527,478 S \* 8/2006 Kovacik ..... D26/42  
D703,356 S \* 4/2014 Grandadam ..... D26/44

D750,825 S \* 3/2016 Bryant ..... D26/42  
D752,792 S \* 3/2016 Grandadam ..... D26/42  
D757,971 S \* 5/2016 Kovacik ..... D26/37  
D757,973 S \* 5/2016 Zhang ..... D26/44  
D759,869 S \* 6/2016 Huang ..... D26/41  
D766,478 S \* 9/2016 Zhang ..... D26/44  
D767,183 S \* 9/2016 Caito ..... D26/42  
D768,321 S \* 10/2016 Inskeep ..... D26/37  
D772,459 S \* 11/2016 Koshiba ..... D26/63  
D791,379 S \* 7/2017 Koshiba ..... D26/37  
D799,096 S \* 10/2017 Bao ..... D26/65  
D816,876 S \* 5/2018 Bao ..... D26/37

\* cited by examiner

*Primary Examiner* — Lakiya G Rogers

*Assistant Examiner* — Carissa C Fitts

(74) *Attorney, Agent, or Firm* — JCIPRNET

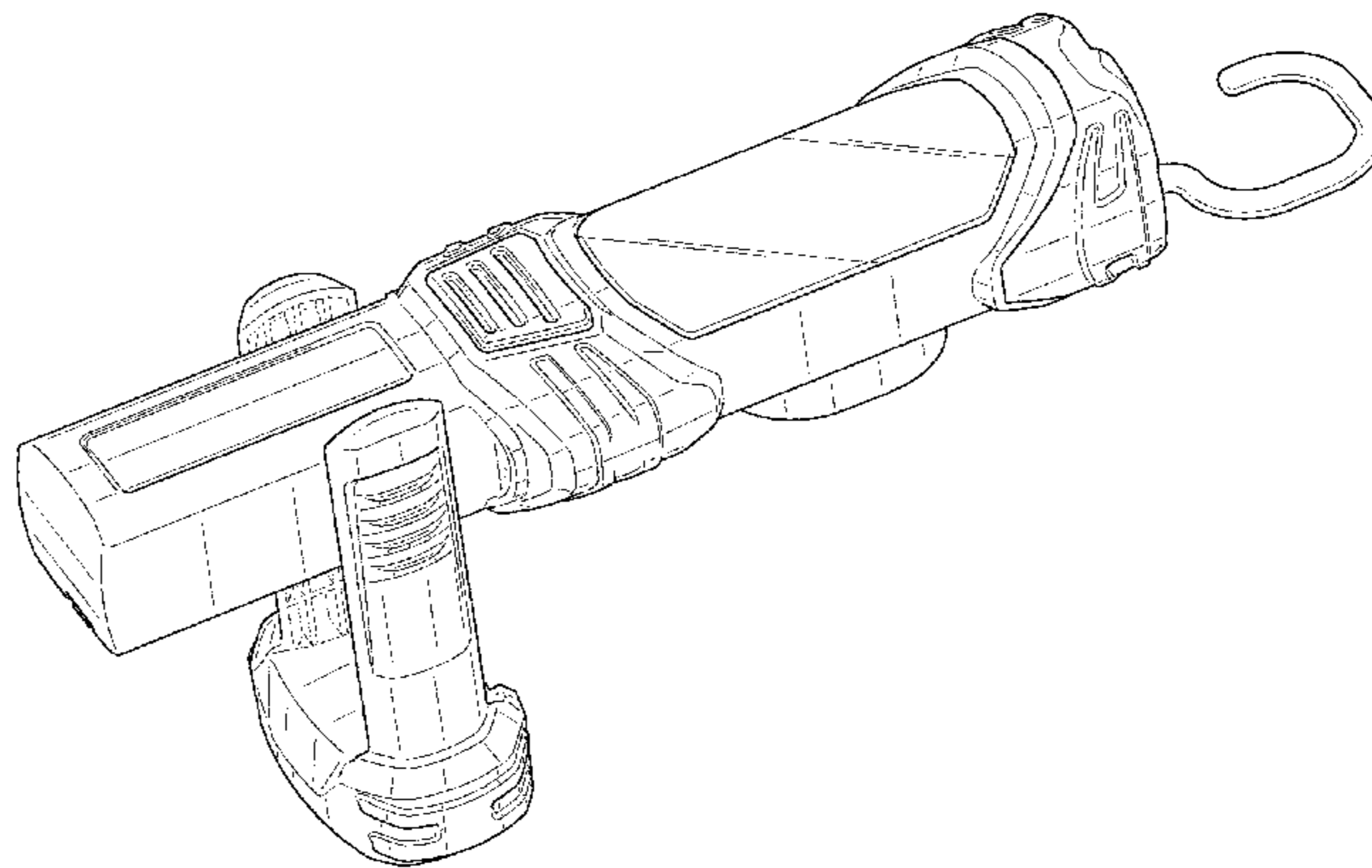
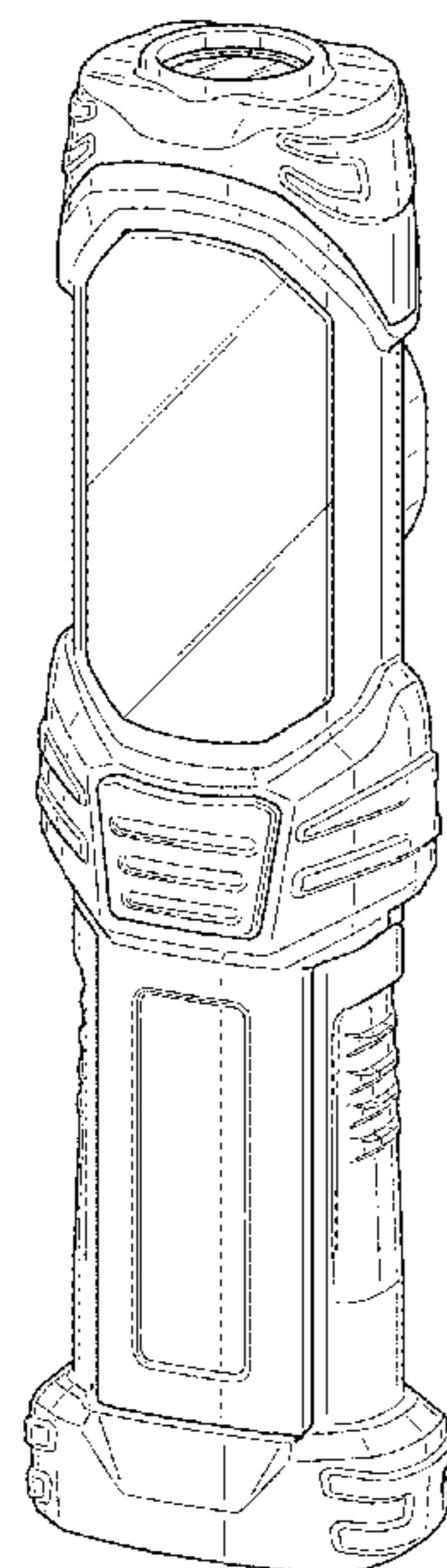
(57) **CLAIM**

The ornamental design for a work lamp, as shown and described.

**DESCRIPTION**

FIG. 1 is a perspective view of a work lamp showing my new design;  
FIG. 2 is a front view thereof;  
FIG. 3 is a rear view thereof;  
FIG. 4 is a left side view thereof;  
FIG. 5 is a right side view thereof;  
FIG. 6 is an enlarged top view thereof;  
FIG. 7 is an enlarged bottom view thereof;  
FIG. 8 is another perspective view thereof with the lamp head tilted; and,  
FIG. 9 is another perspective view thereof with the hook pulled up.  
The broken lines show unclaimed portions of the article and form no part of the claimed design.

**1 Claim, 7 Drawing Sheets**



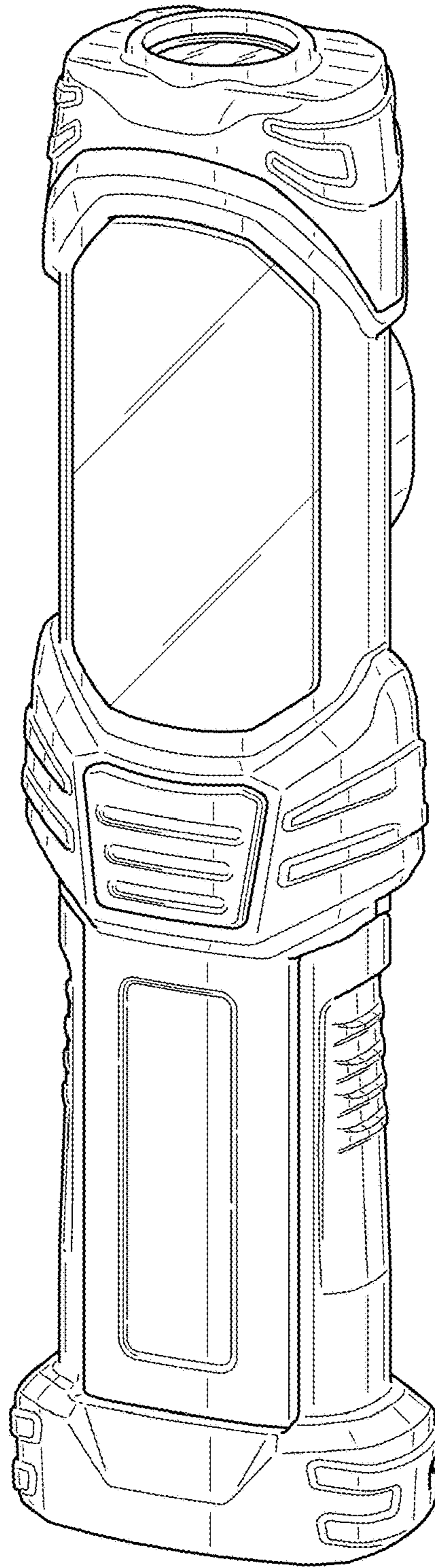


FIG. 1

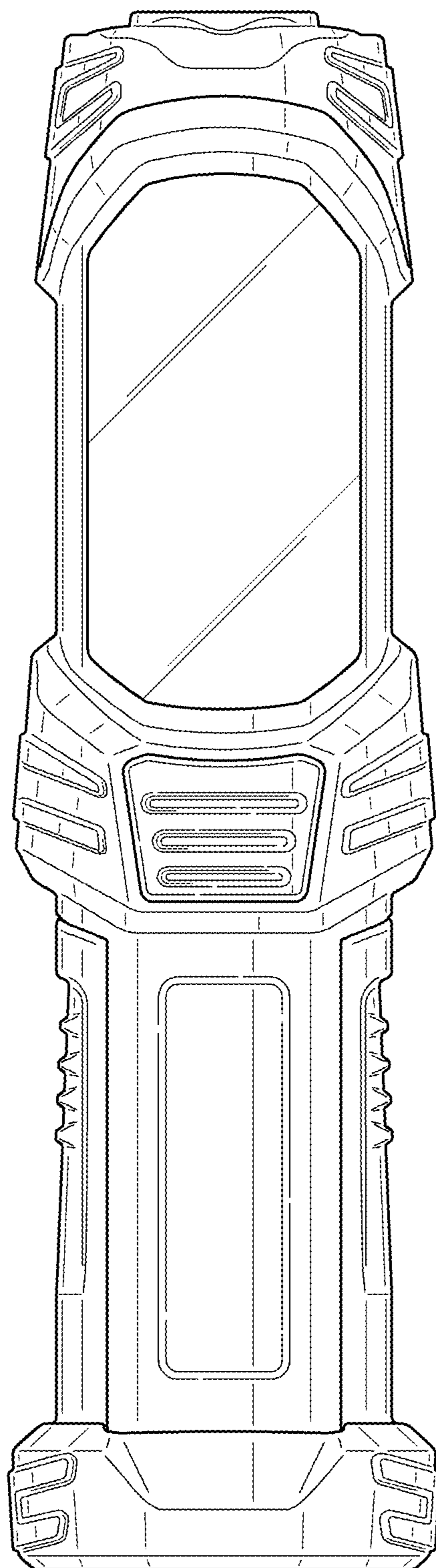


FIG. 2

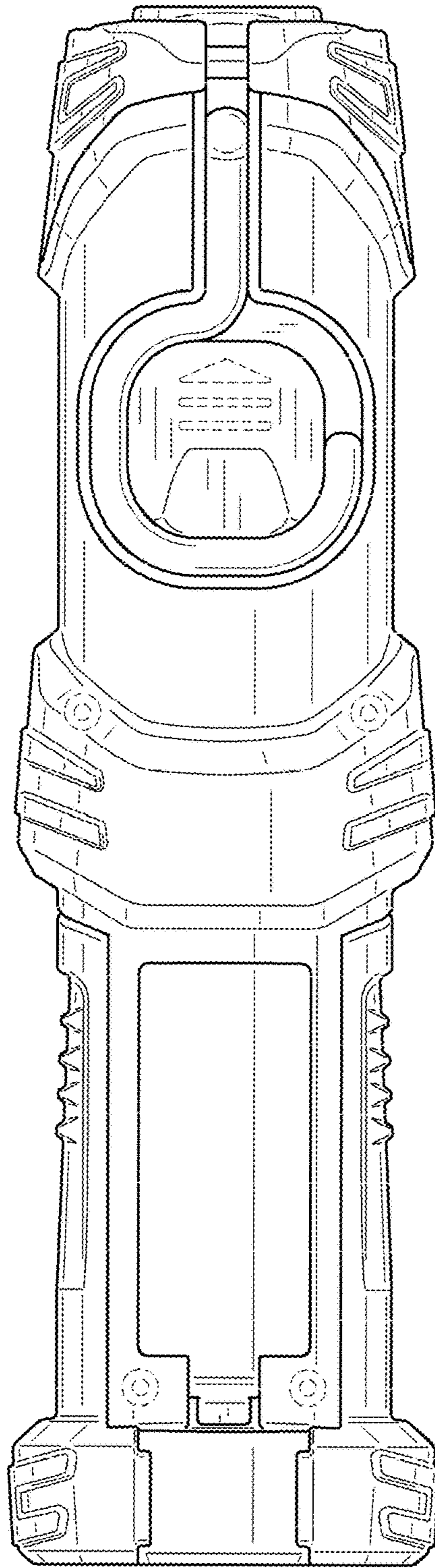


FIG. 3

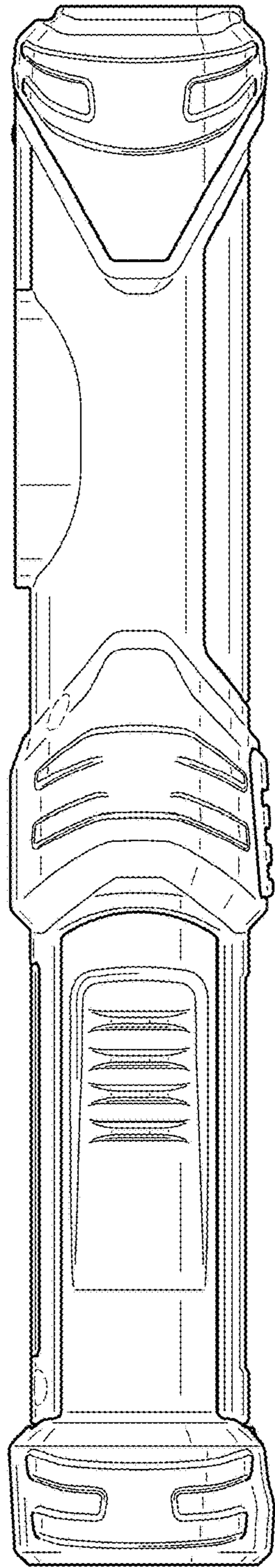


FIG. 4

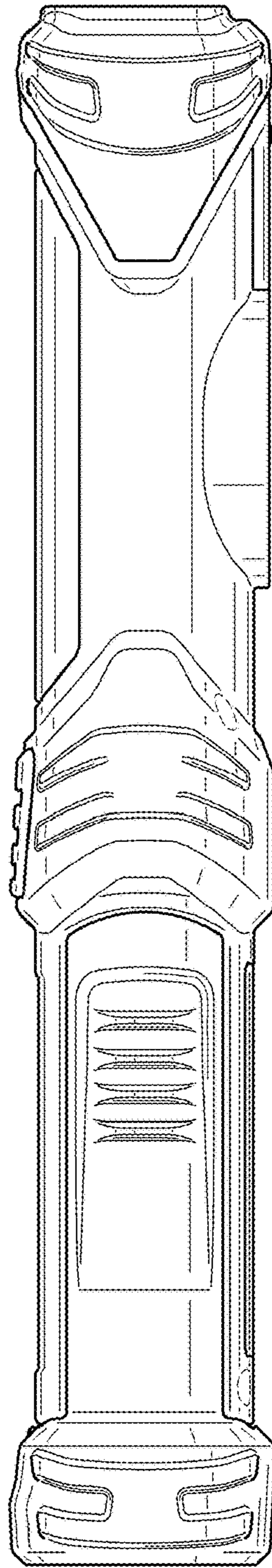


FIG. 5

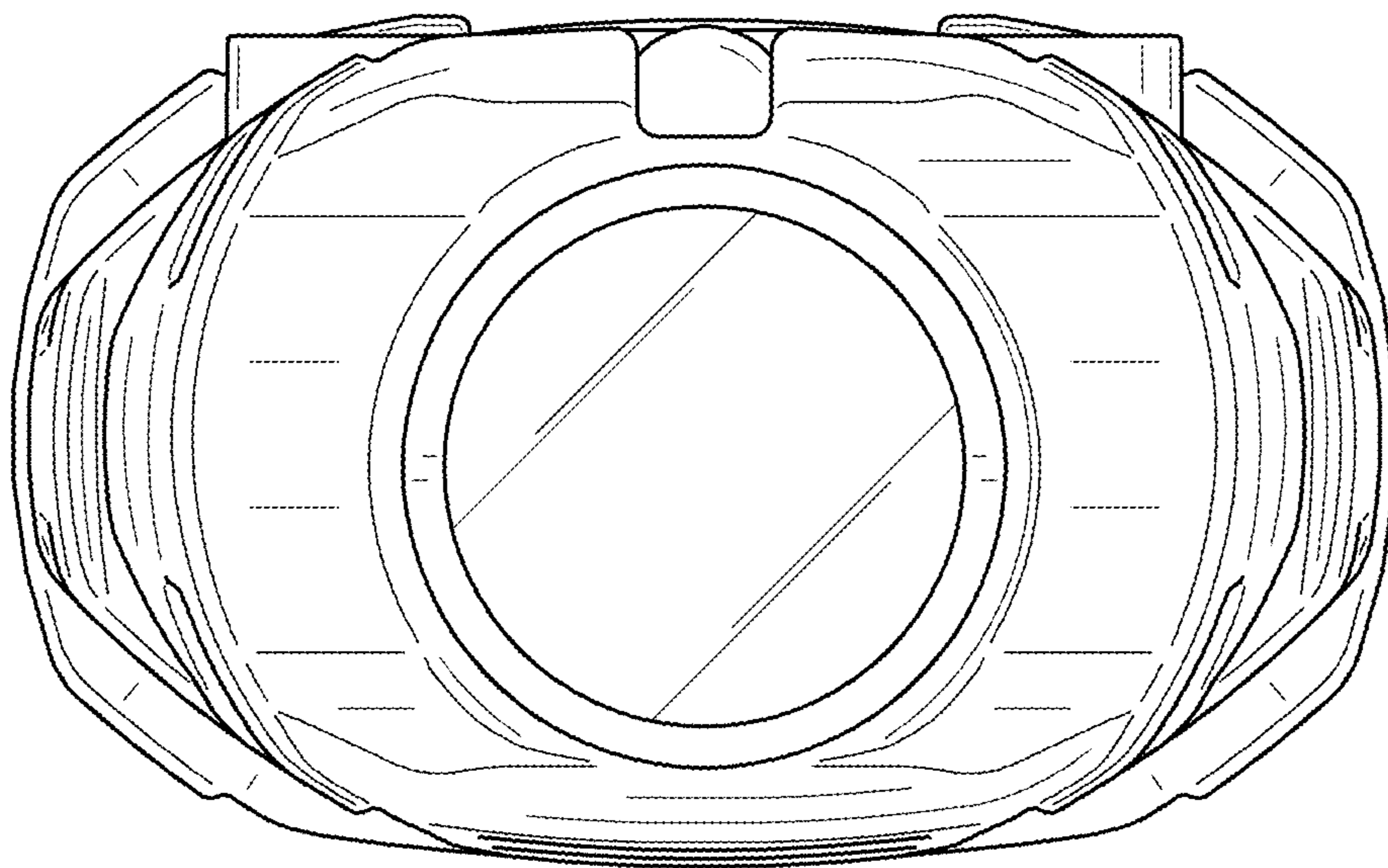


FIG. 6

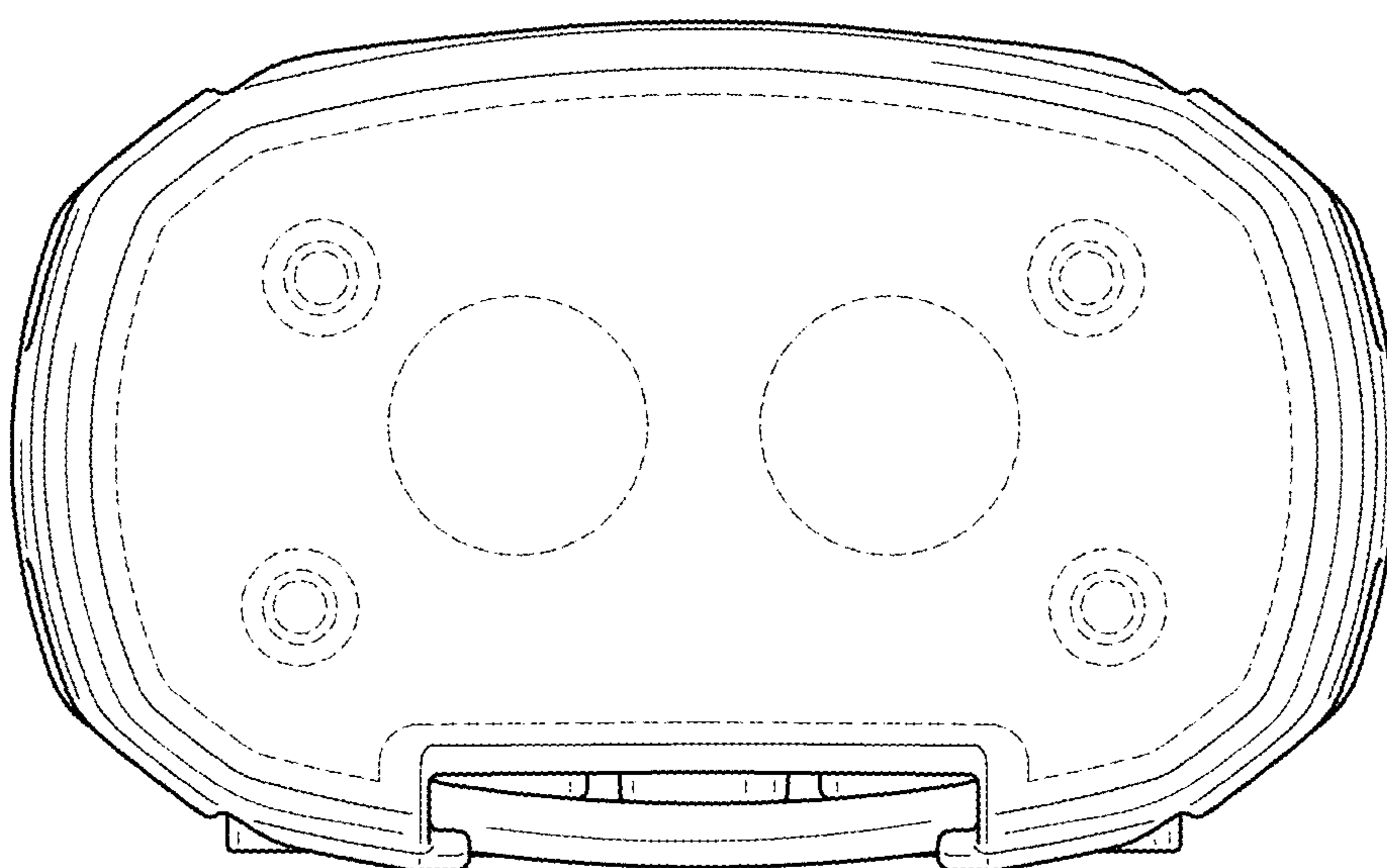


FIG. 7

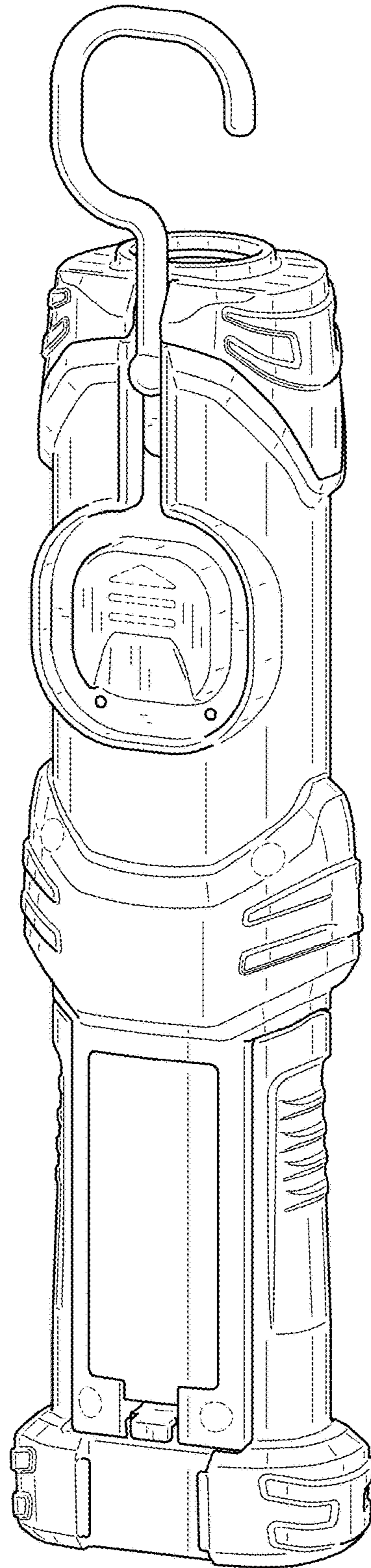


FIG. 8

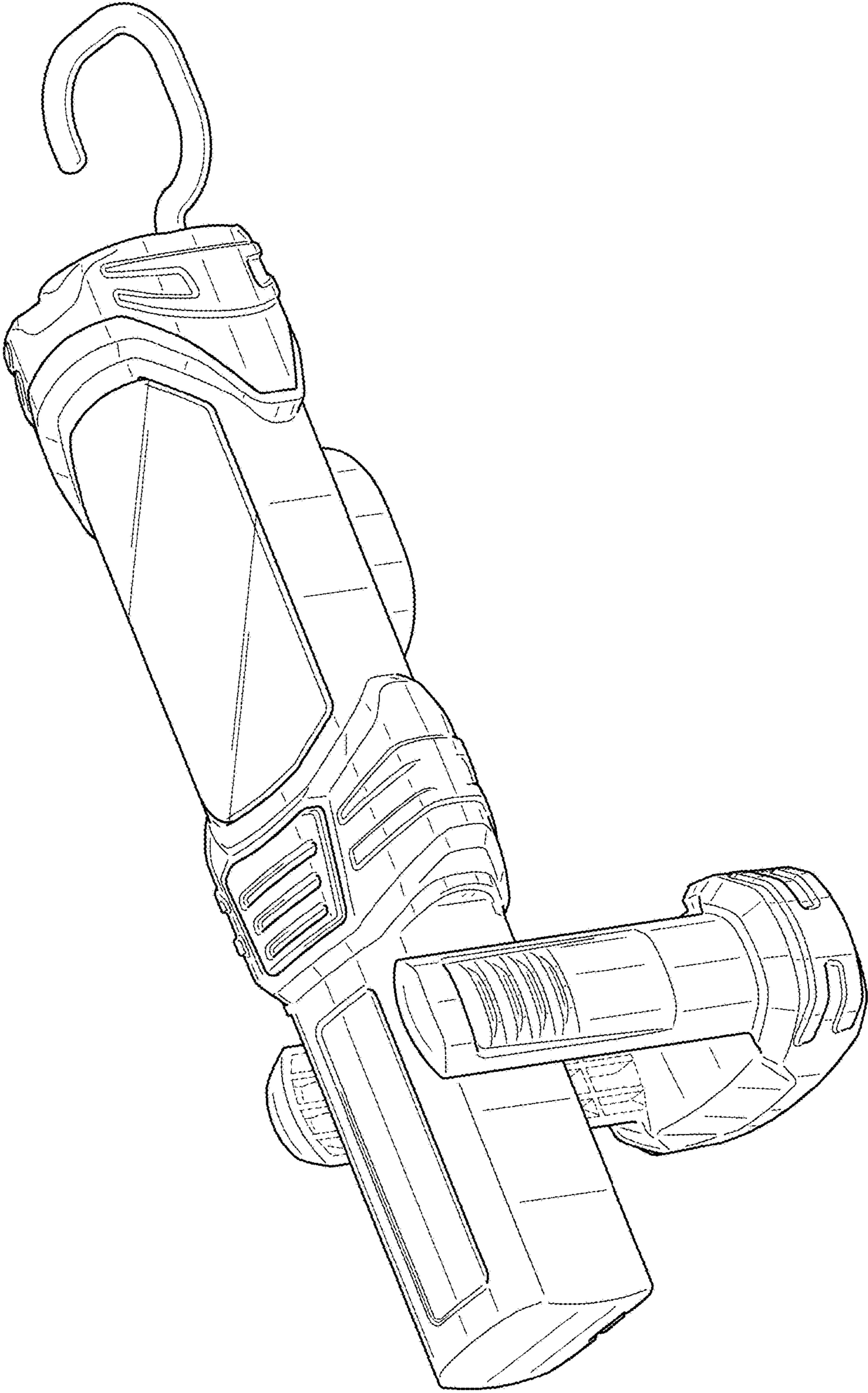


FIG. 9