



US00D850683S

(12) **United States Design Patent**
Shelton

(10) **Patent No.:** **US D850,683 S**

(45) **Date of Patent:** **** Jun. 4, 2019**

(54) **LANTERN AND FLASHLIGHT
COMBINATION**

(71) Applicant: **Nite Ize, Inc.**, Boulder, CO (US)

(72) Inventor: **Ashley Shelton**, Overland Park, KS
(US)

(73) Assignee: **Nite Ize, Inc.**, Boulder, CO (US)

(**) Term: **15 Years**

(21) Appl. No.: **29/612,158**

(22) Filed: **Jul. 28, 2017**

(51) **LOC (11) Cl.** **26-02**

(52) **U.S. Cl.**
USPC **D26/41**

(58) **Field of Classification Search**
USPC D26/37-51
CPC F21L 2003/00; F21L 4/00; F21L 4/005;
F21L 4/02; F21L 4/025; F21L 4/027;
F21L 4/04; F21L 4/08; F21L 2005/00;
F21L 7/00; F21L 11/00; F21L 13/00;
F21L 13/04; F21L 13/08; F21L 14/02;
F21L 17/00; F21L 19/00; F21L 25/00
See application file for complete search history.

(56) **References Cited**

U.S. PATENT DOCUMENTS

D529,647 S	*	10/2006	Shiu	D26/40
D537,968 S	*	3/2007	Shiu	D26/40
D707,378 S	*	6/2014	Shiu	D26/41
D742,052 S	*	10/2015	Dorman	D26/40
D744,680 S	*	12/2015	Ma	D26/41
D747,523 S	*	1/2016	Salmon	D26/40

D754,379 S	*	4/2016	Green	D26/113
D783,872 S	*	4/2017	Aksnes	D26/41
D794,235 S	*	8/2017	Green	D26/40
D794,856 S	*	8/2017	Green	D26/113
D809,689 S	*	2/2018	Marshall	D26/41
D809,690 S	*	2/2018	Marshall	D26/41

* cited by examiner

Primary Examiner — Lakiya G Rogers

Assistant Examiner — Carissa C Fitts

(74) *Attorney, Agent, or Firm* — Haynes and Boone, LLP

(57) **CLAIM**

The ornamental design for a lantern and flashlight combination, as shown and described.

DESCRIPTION

FIG. 1 shows a front perspective view of a lantern and flashlight combination;
 FIG. 2 shows a rear perspective view of the lantern and flashlight combination of FIG. 1;
 FIG. 3 shows a front side view of the lantern and flashlight combination of FIG. 1;
 FIG. 4 shows a rear side view of the lantern and flashlight combination of FIG. 1;
 FIG. 5 shows a top side view of the lantern and flashlight combination of FIG. 1;
 FIG. 6 shows a bottom side view of the lantern and flashlight combination of FIG. 1;
 FIG. 7 shows a right side view of the lantern and flashlight combination of FIG. 1;
 FIG. 8 shows a left side view of the lantern and flashlight combination of FIG. 1; and,
 FIG. 9 shows the collapsed front side view of the lantern and flashlight combination of FIG. 1.

1 Claim, 9 Drawing Sheets

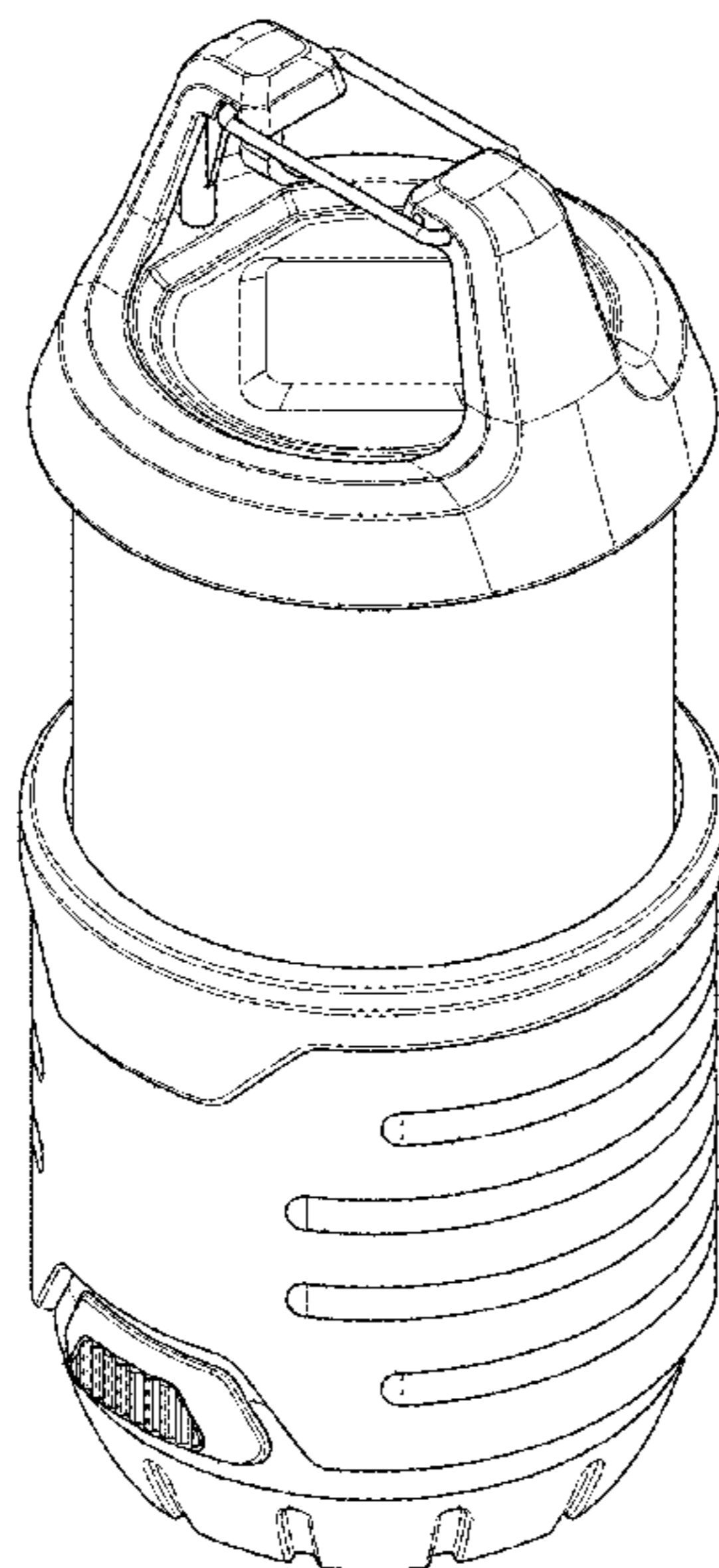


FIG. 1

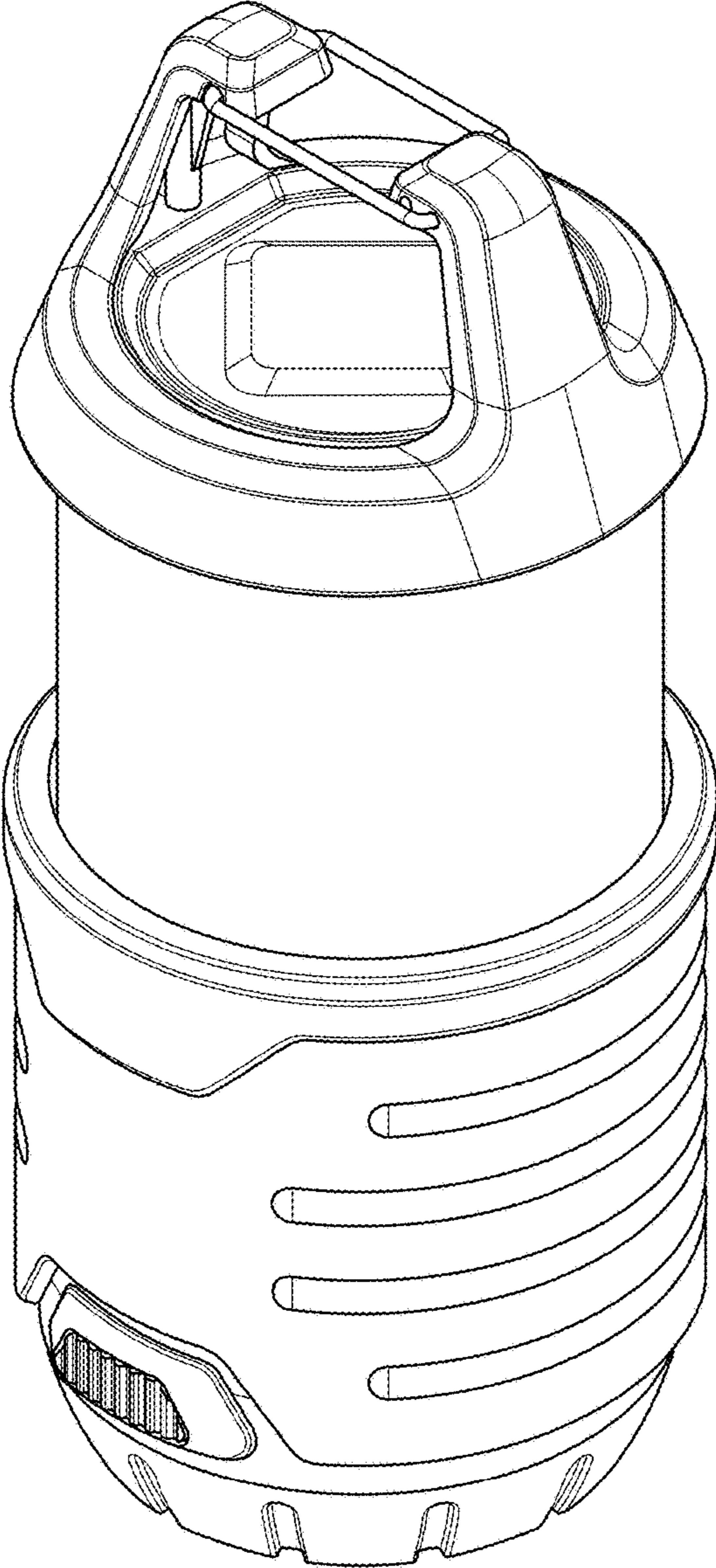


FIG. 2

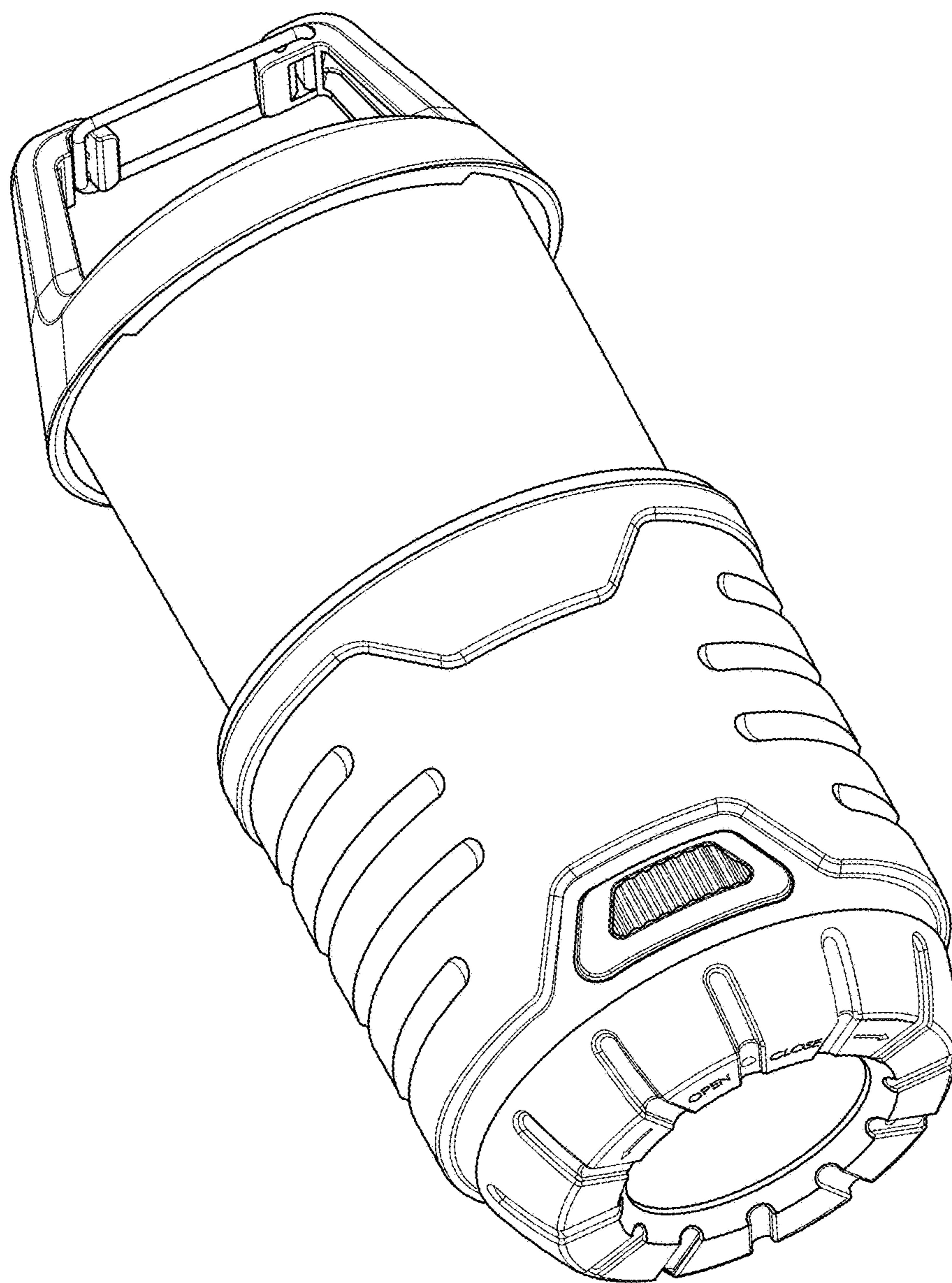


FIG. 3

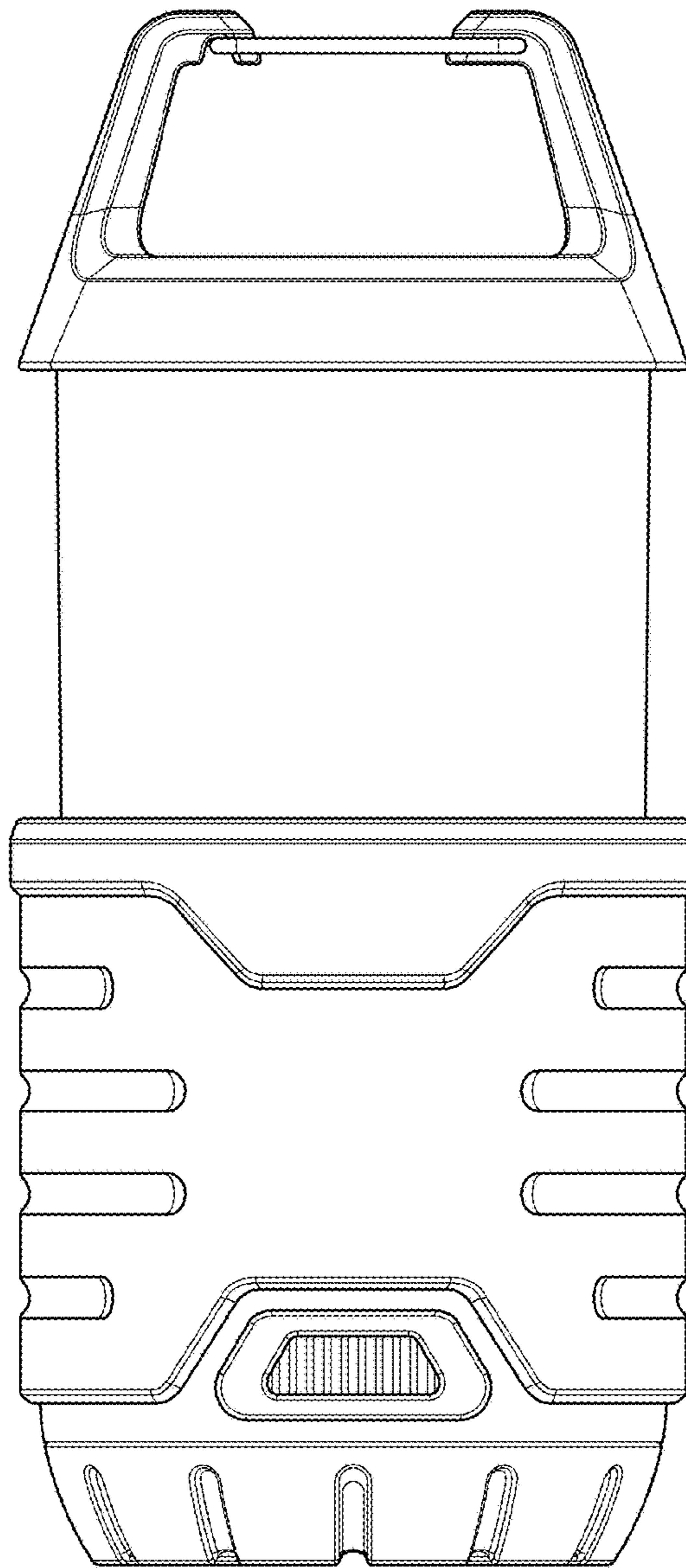


FIG. 4

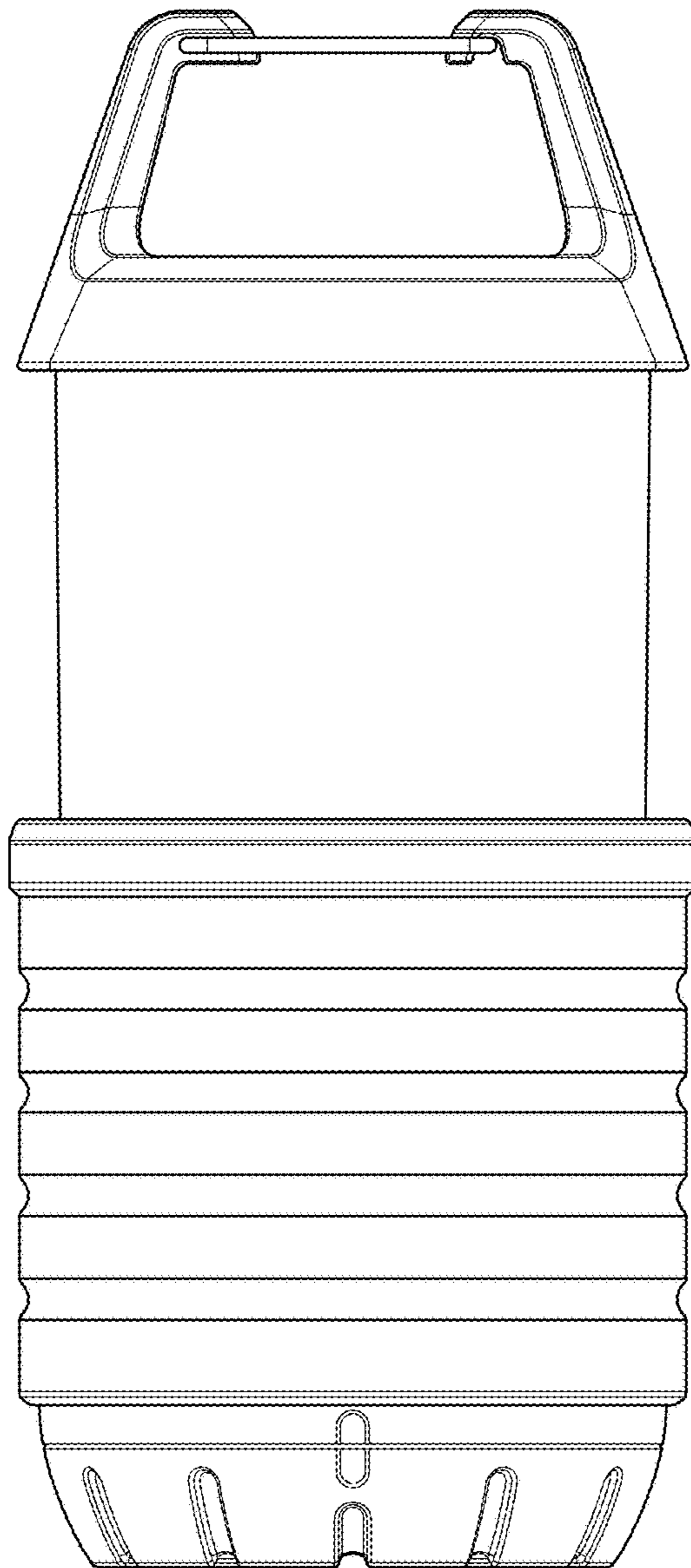


FIG. 5

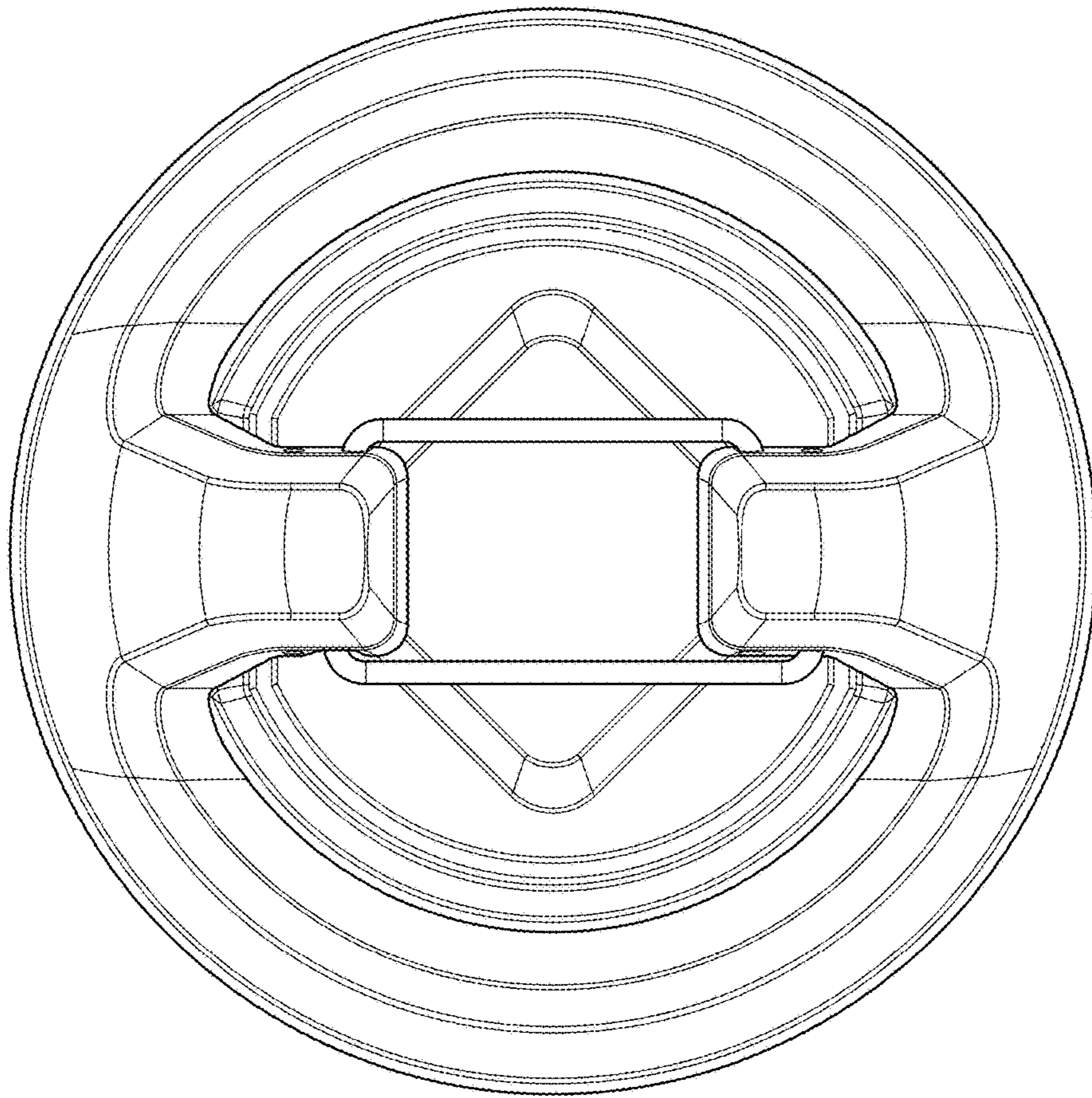


FIG. 6

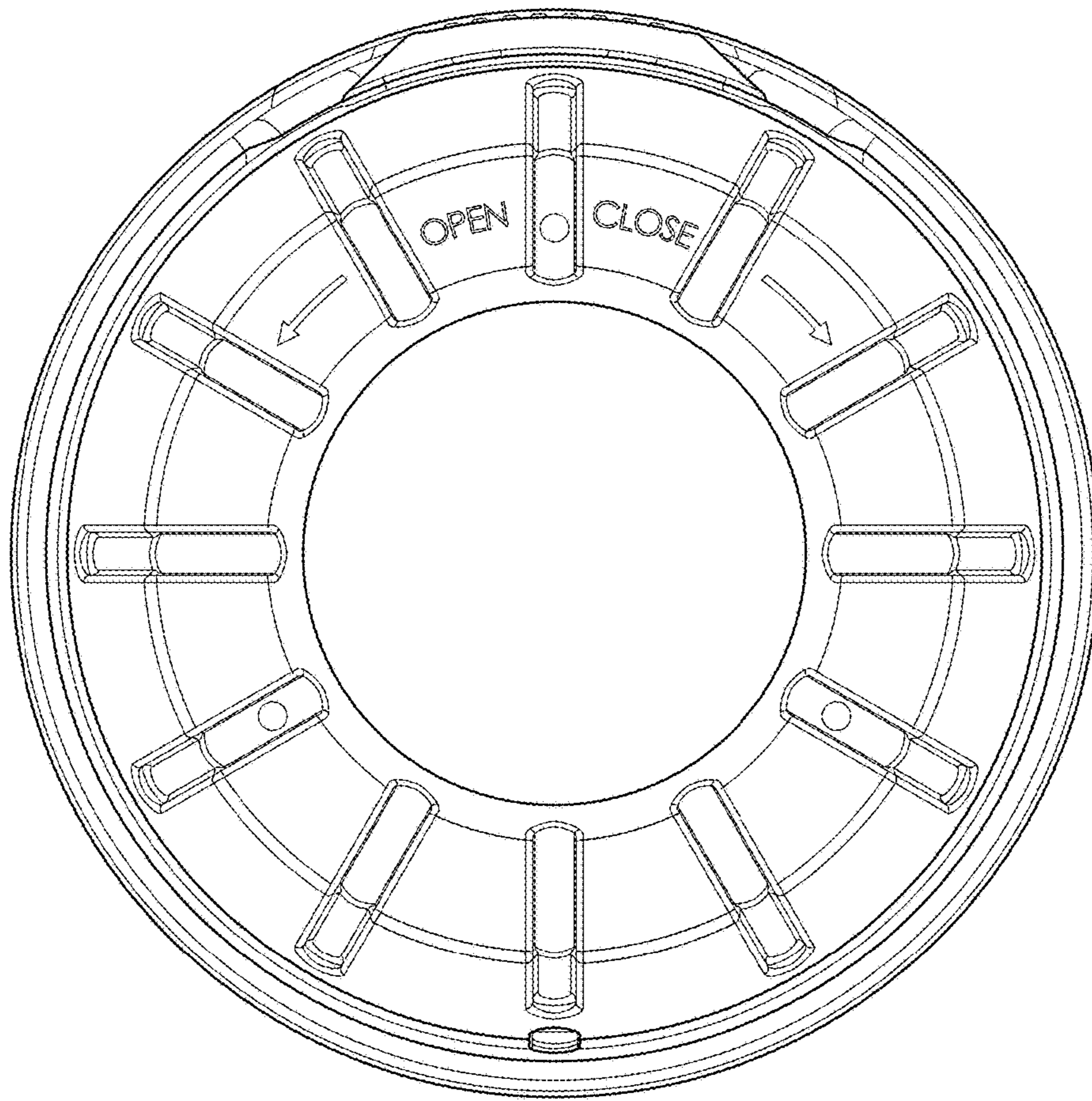


FIG. 7

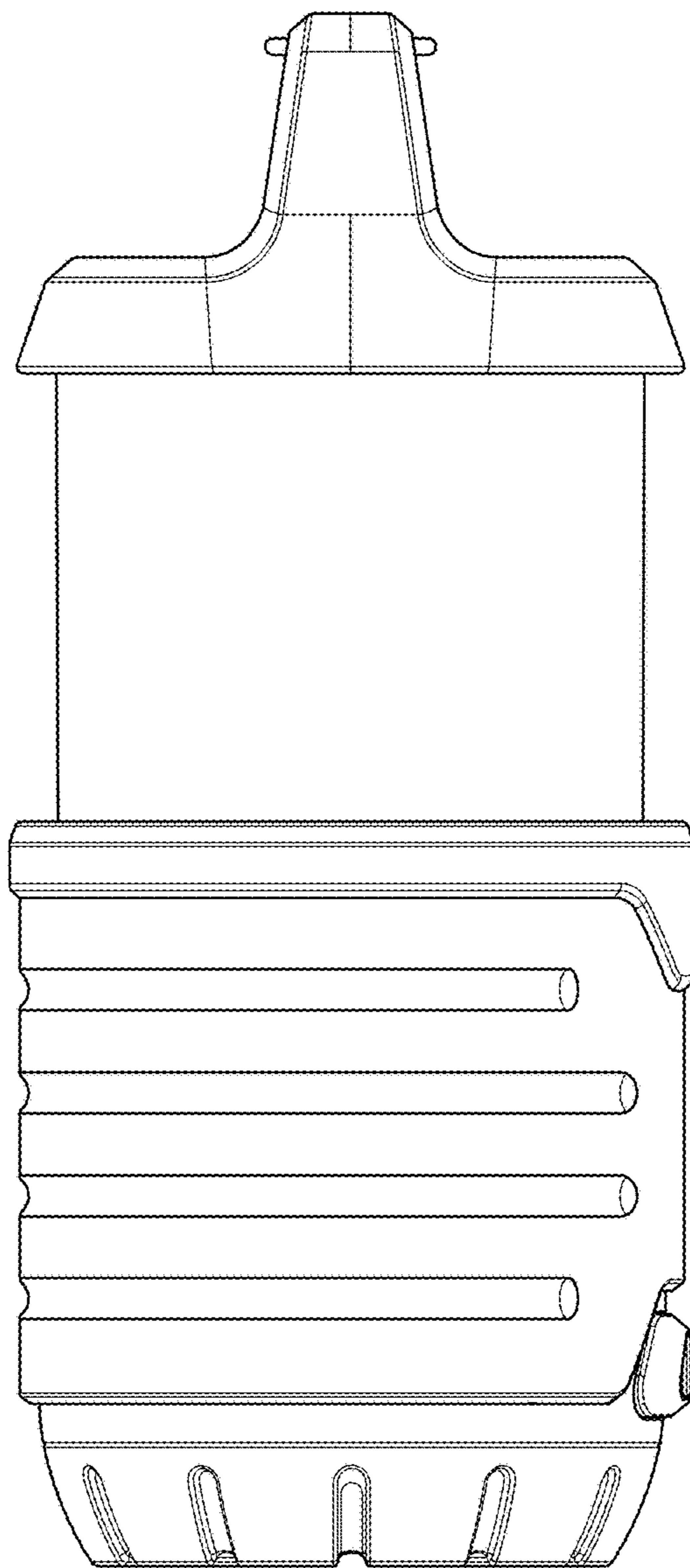


FIG. 8

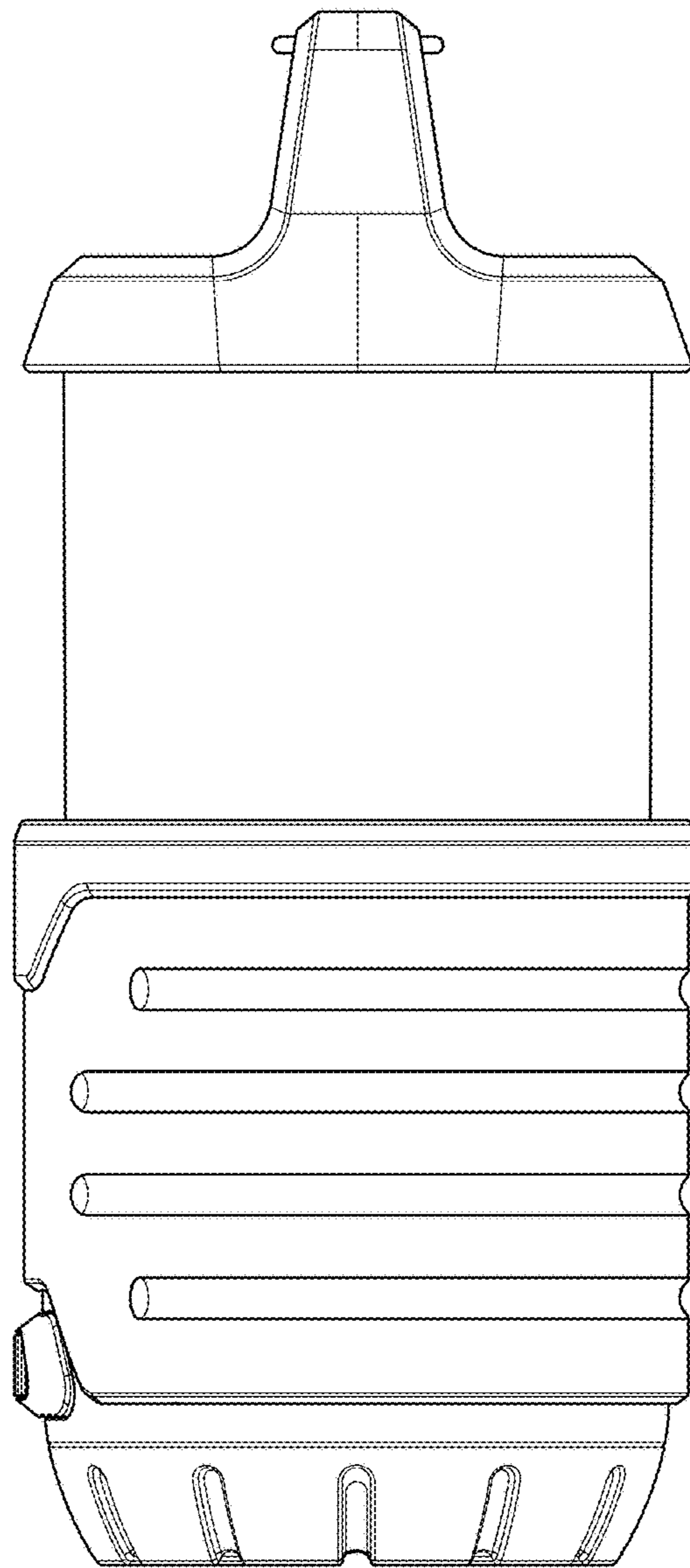


FIG. 9

