



US00D850682S

(12) **United States Design Patent**
DeBrunner

(10) **Patent No.:** **US D850,682 S**
(45) **Date of Patent:** **** Jun. 4, 2019**

- (54) **LANTERN**
- (71) Applicant: **NITE IZE, INC.**, Boulder, CO (US)
- (72) Inventor: **Dan DeBrunner**, Overland Park, KS (US)
- (73) Assignee: **Nite Ize, Inc.**, Boulder, CO (US)
- (**) Term: **15 Years**
- (21) Appl. No.: **29/612,157**
- (22) Filed: **Jul. 28, 2017**
- (51) **LOC (11) Cl.** **26-02**
- (52) **U.S. Cl.**
USPC **D26/40**
- (58) **Field of Classification Search**
USPC D26/37-51
CPC F21L 2003/00; F21L 4/00; F21L 4/005;
F21L 4/02; F21L 4/025; F21L 4/027;
F21L 4/04; F21L 4/08; F21L 2005/00;
F21L 7/00; F21L 11/00; F21L 13/00;
F21L 13/04; F21L 13/08; F21L 14/02;
F21L 17/00; F21L 19/00; F21L 25/00
See application file for complete search history.

- D576,756 S * 9/2008 DeBrunner D26/40
- D605,337 S * 12/2009 Zhang D26/93
- D608,036 S * 1/2010 Lee D26/40
- D617,480 S * 6/2010 DeBrunner D26/40
- D646,412 S * 10/2011 Taiga D26/41
- D652,162 S * 1/2012 Wu D26/47
- D738,553 S * 9/2015 Fletcher D26/41
- D783,872 S * 4/2017 Aksnes D26/41
- D788,960 S * 6/2017 Thompkin D26/41

* cited by examiner

Primary Examiner — Lakiya G Rogers
Assistant Examiner — Carissa C Fitts
(74) *Attorney, Agent, or Firm* — Haynes and Boone, LLP

(57) **CLAIM**

The ornamental design for a lantern, as shown and described.

DESCRIPTION

FIG. 1 shows a front perspective view of a lantern;
FIG. 2 shows a rear perspective view of the lantern of FIG. 1;
FIG. 3 shows a front side view of the lantern of FIG. 1;
FIG. 4 shows a rear side view of the lantern of FIG. 1;
FIG. 5 shows a top side view of the lantern of FIG. 1;
FIG. 6 shows a bottom side view of the lantern of FIG. 1;
FIG. 7 shows a right side view of the lantern of FIG. 1; and,
FIG. 8 shows a left side view of the lantern of FIG. 1.

(56) **References Cited**

U.S. PATENT DOCUMENTS

- D407,512 S * 3/1999 Yuen D26/41
- D525,740 S * 7/2006 Parker D26/104

1 Claim, 5 Drawing Sheets

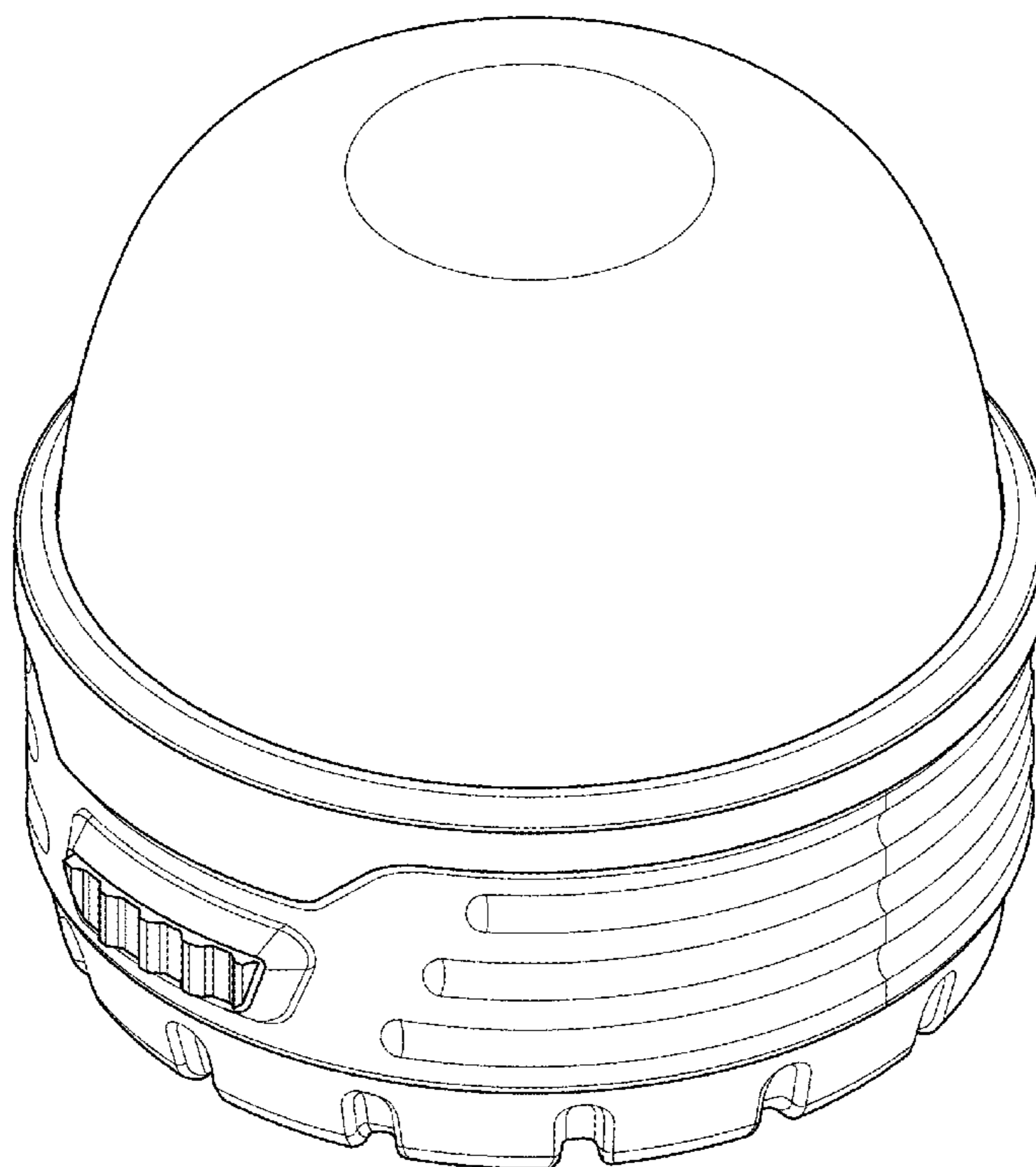


FIG. 1

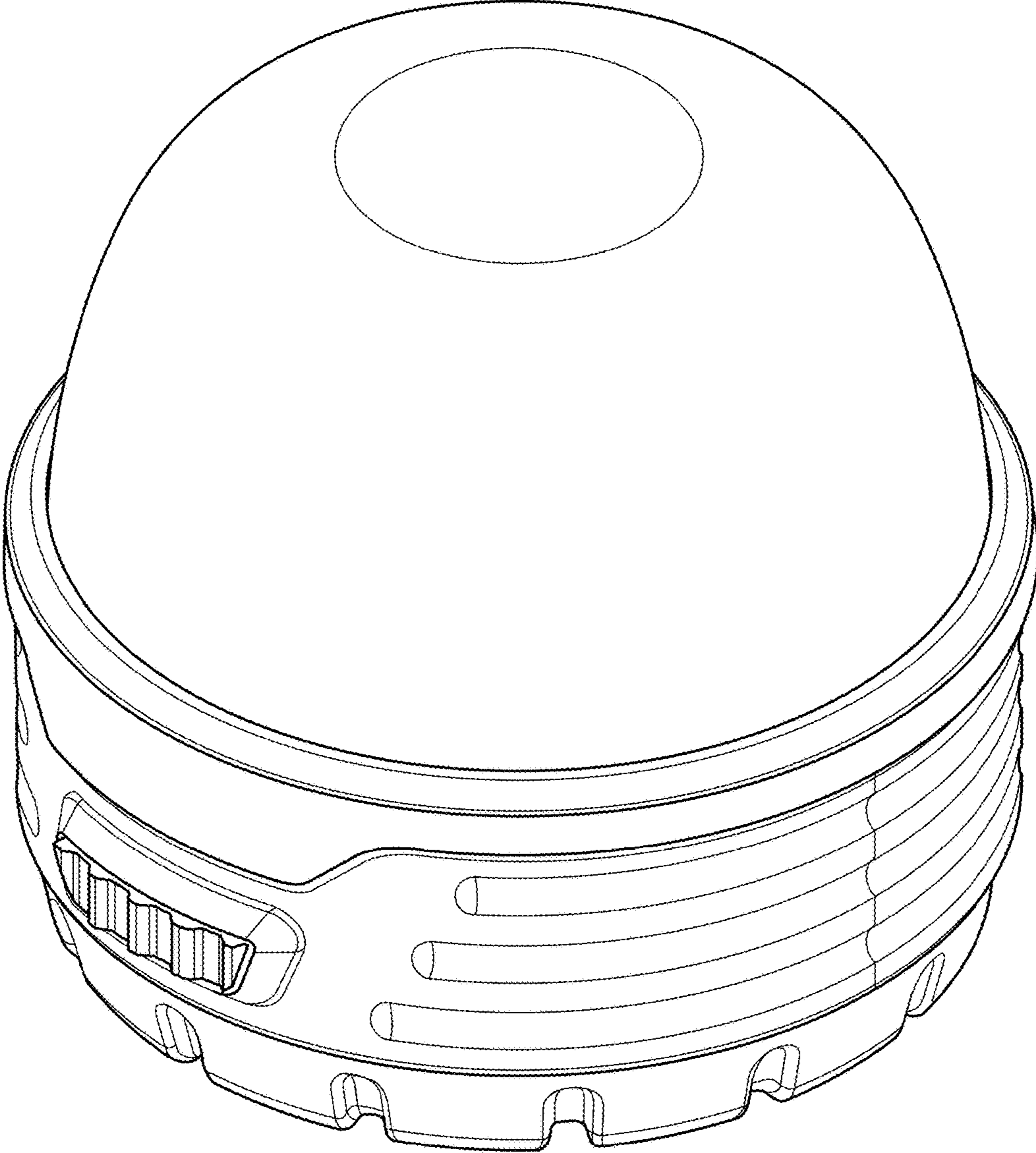


FIG. 2

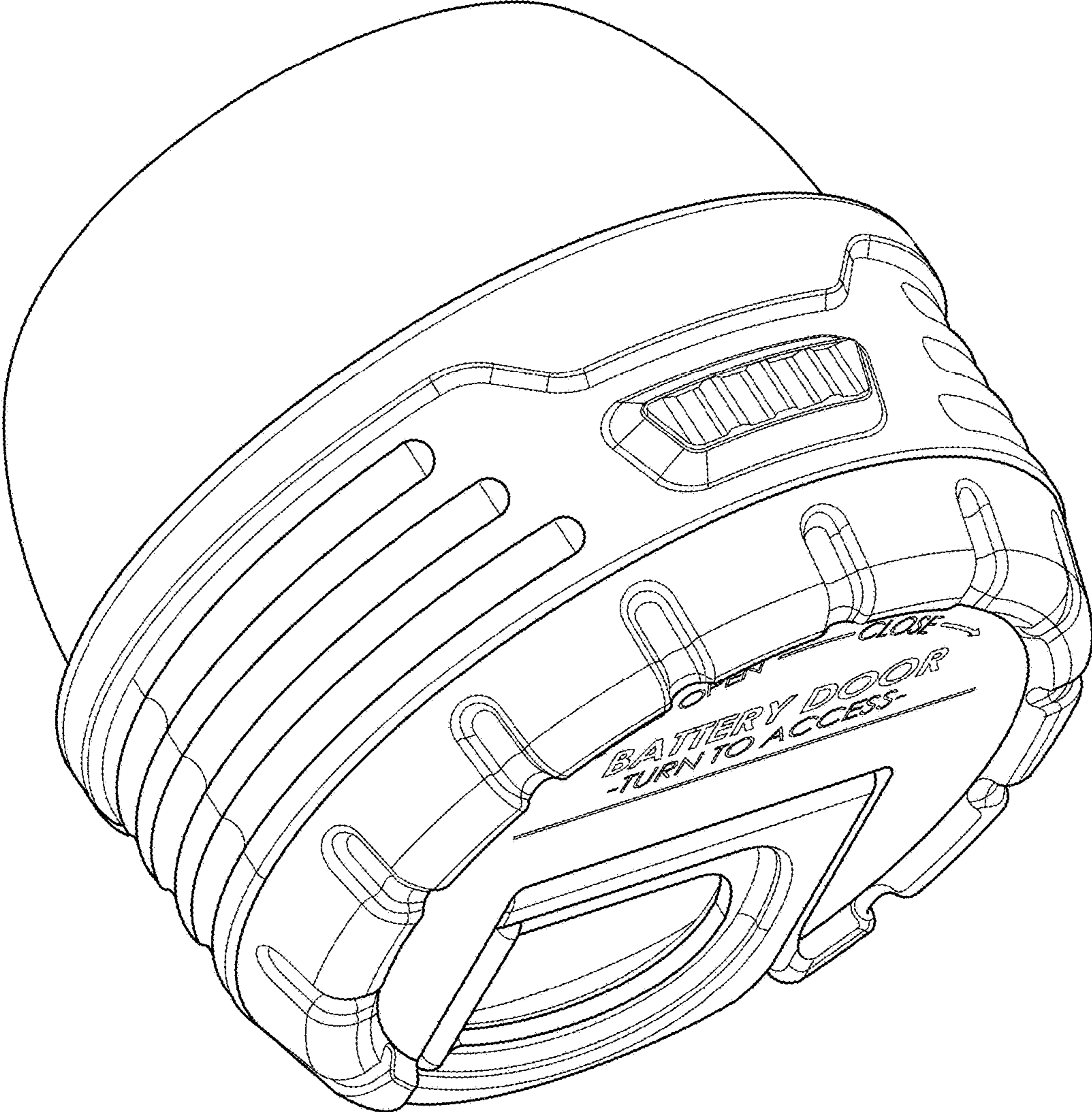


FIG. 3

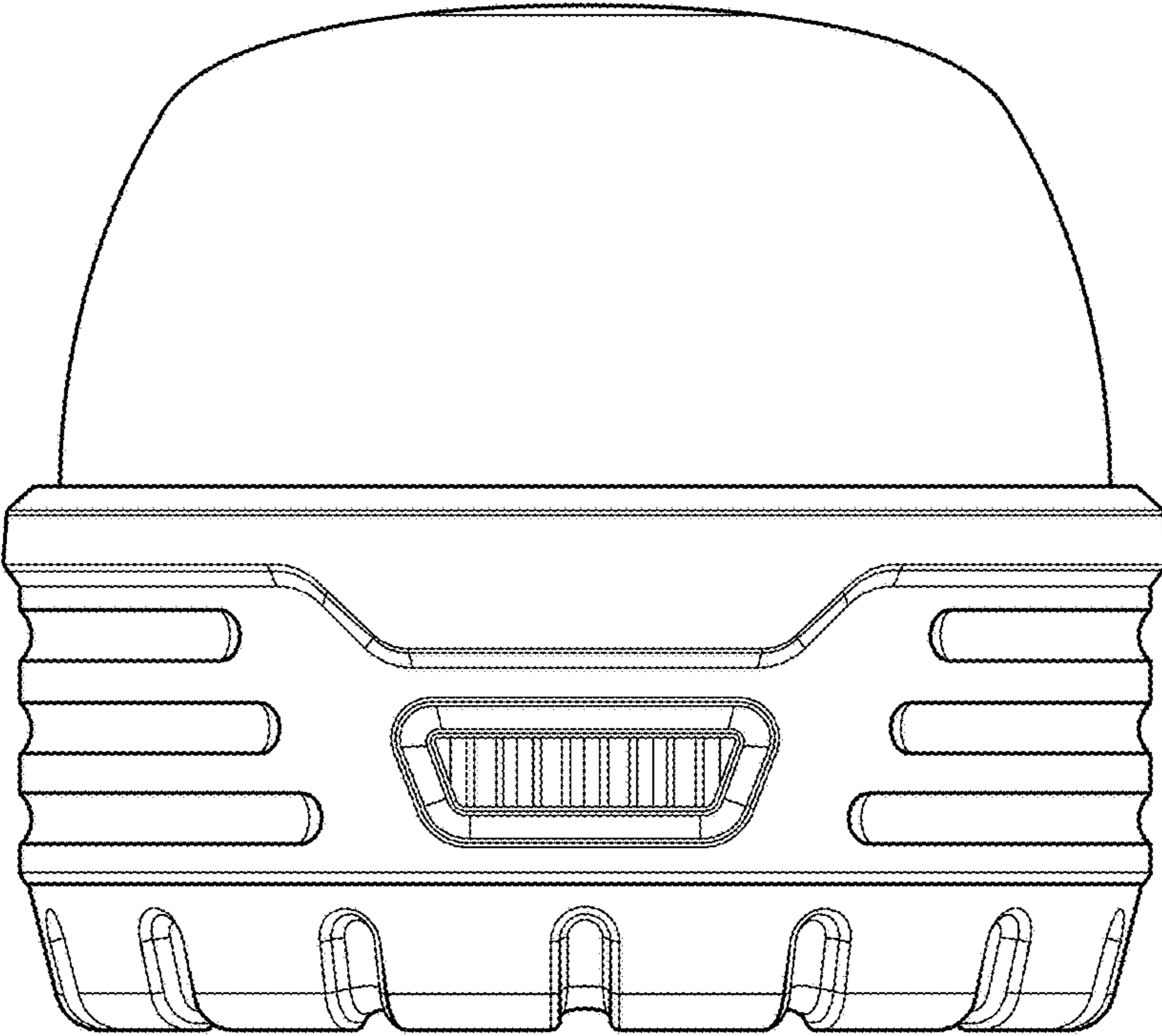


FIG. 4

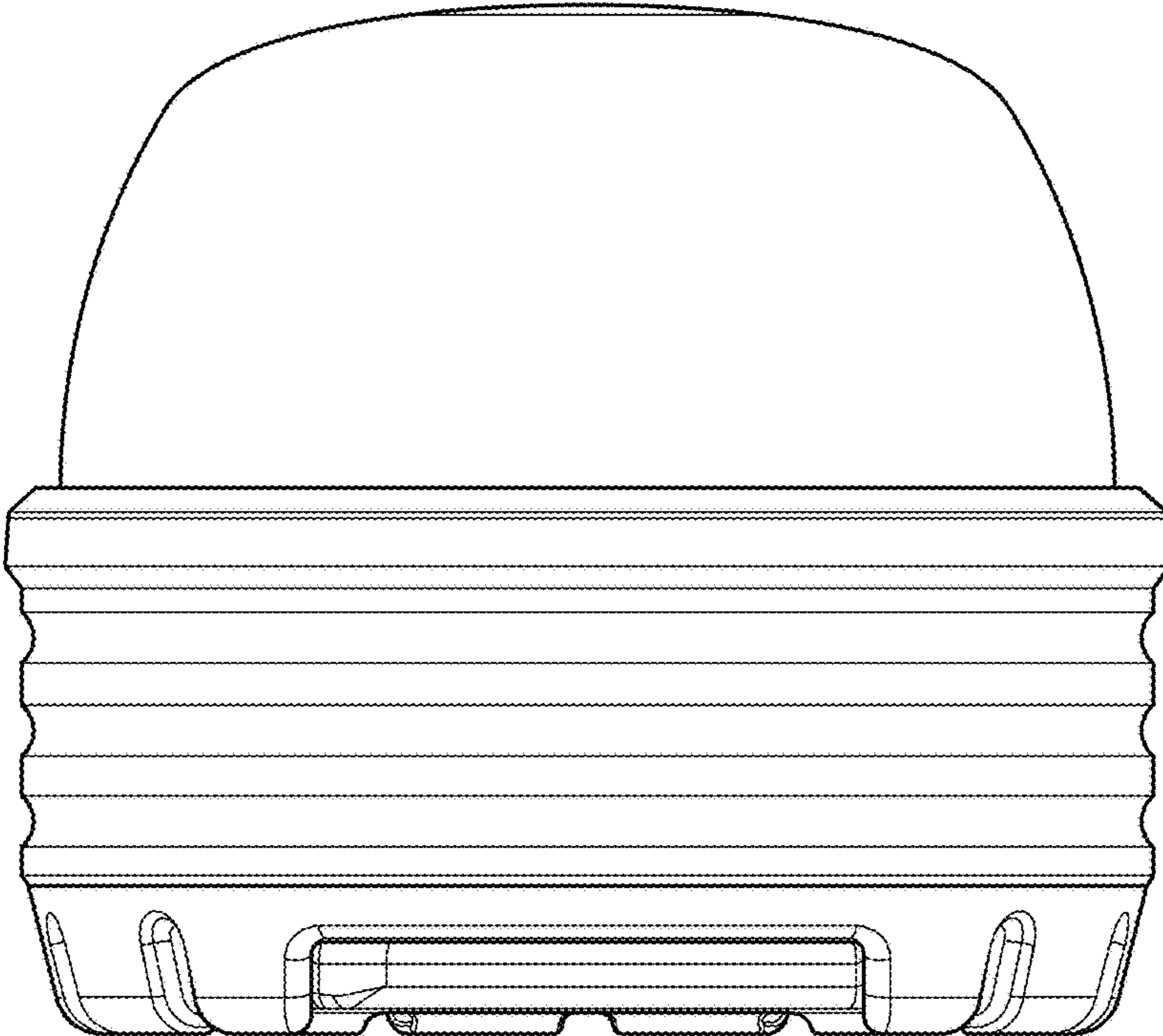


FIG. 5

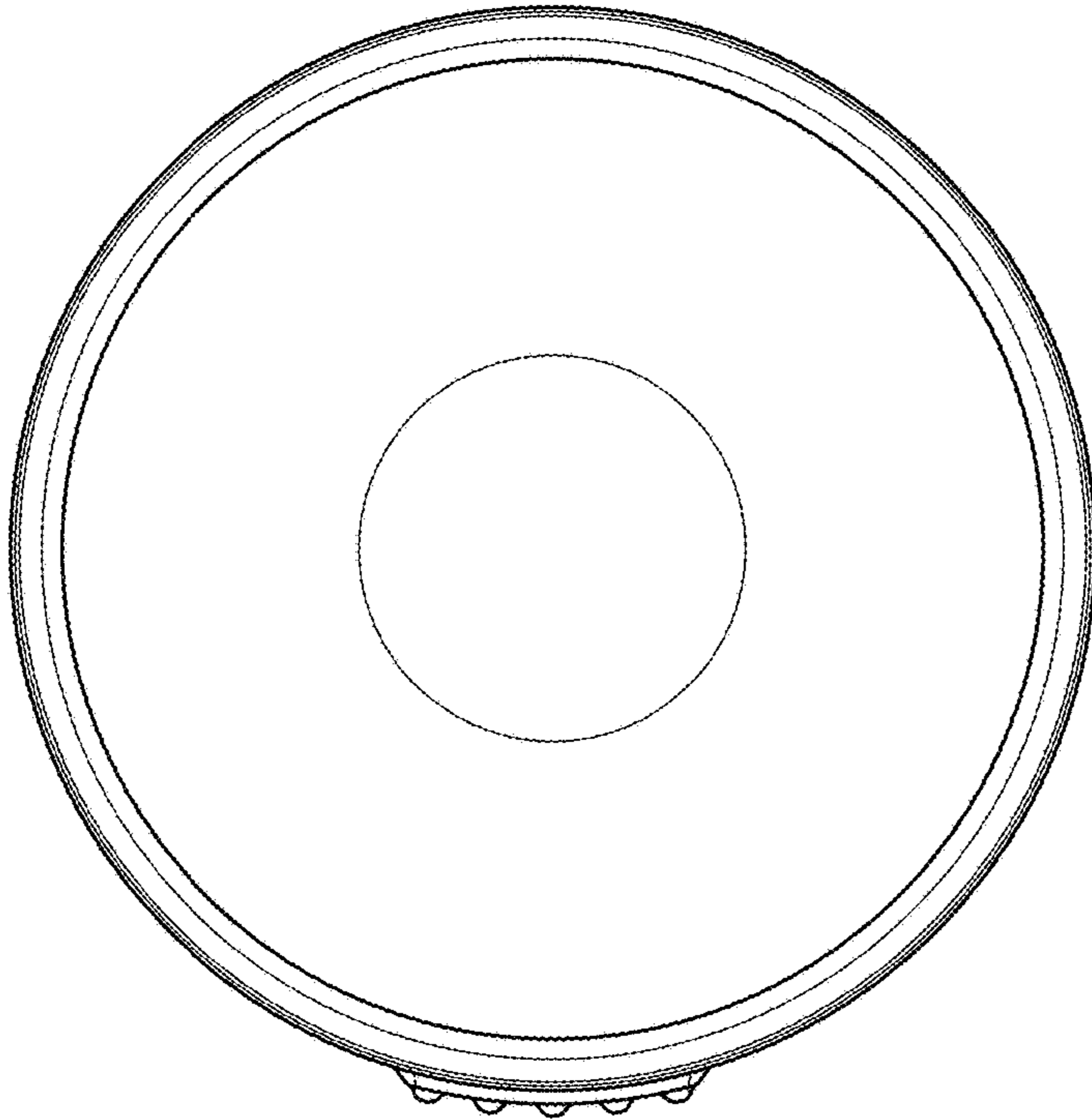


FIG. 6

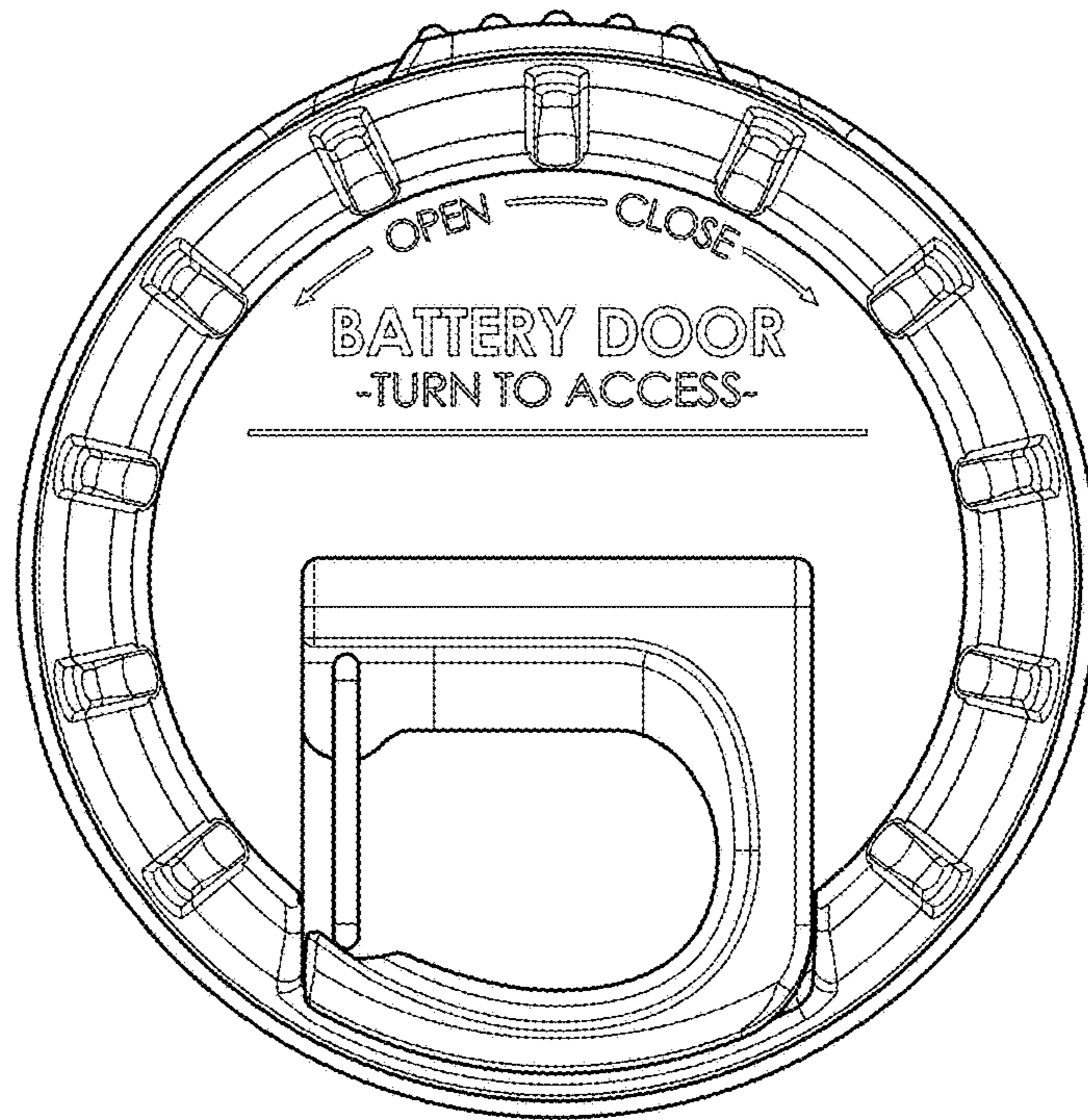


FIG. 7

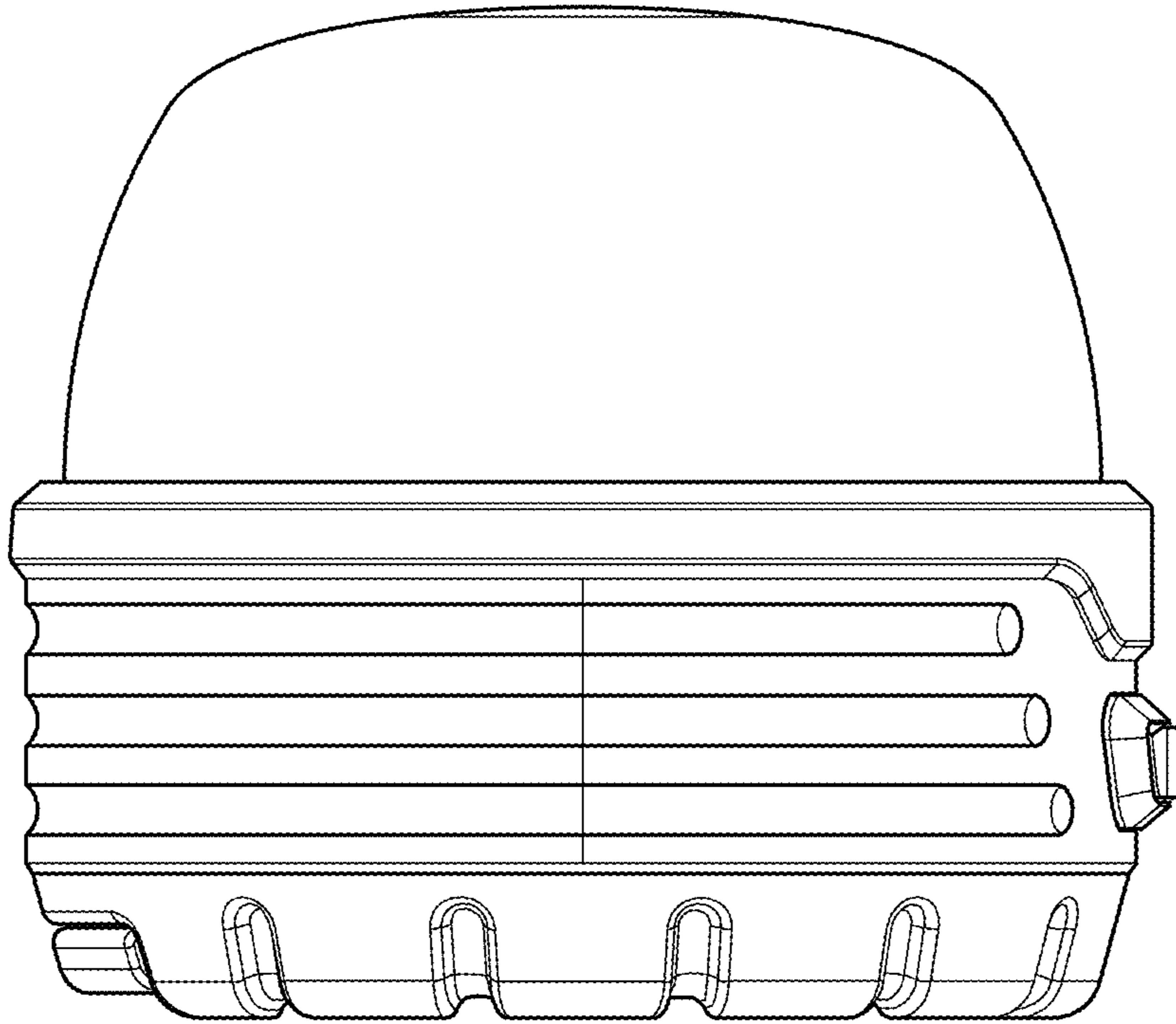


FIG. 8

