



US00D850681S

(12) **United States Design Patent**  
**Yamazaki et al.**

(10) **Patent No.:** **US D850,681 S**  
(45) **Date of Patent:** **\*\* Jun. 4, 2019**

(54) **LIGHT FOR MEDICAL USE**

(71) Applicant: **TAIYO CORPORATION**, Tokyo (JP)

(72) Inventors: **Seitaro Yamazaki**, Tokyo (JP);  
**Mitsuhiro Koyama**, Tokyo (JP);  
**Mariko Koizumi**, Tokyo (JP)

(73) Assignee: **TAIYO CORPORATION**, Tokyo (JP)

(\*\*) Term: **15 Years**

(21) Appl. No.: **29/621,923**

(22) Filed: **Oct. 12, 2017**

(30) **Foreign Application Priority Data**

Apr. 19, 2017 (JP) ..... 2017-008449

(51) **LOC (11) Cl.** ..... **26-02**

(52) **U.S. Cl.**  
USPC ..... **D26/39**

(58) **Field of Classification Search**  
USPC ..... D26/37-51  
CPC ..... F21L 2003/00; F21L 4/00; F21L 4/005;  
F21L 4/02; F21L 4/025; F21L 4/027;  
F21L 4/04; F21L 4/08; F21L 2005/00;  
F21L 7/00; F21L 11/00; F21L 13/00;  
F21L 13/04; F21L 13/08; F21L 14/02;  
F21L 17/00; F21L 19/00; F21L 25/00  
See application file for complete search history.

(56) **References Cited**

**U.S. PATENT DOCUMENTS**

D608,479 S \* 1/2010 Heine ..... D24/231  
D721,842 S \* 1/2015 Opolka ..... D26/39

D756,010 S \* 5/2016 Ye ..... D26/39  
D791,991 S \* 7/2017 Brauser ..... D26/39  
D812,278 S \* 3/2018 Pontano ..... D26/39  
D814,676 S \* 4/2018 Windom ..... D26/39  
D821,006 S \* 6/2018 Chen ..... D26/39  
2005/0128735 A1\* 6/2005 Atkins ..... A61B 3/12  
362/105  
2007/0227465 A1\* 10/2007 Gerig ..... A01K 15/021  
119/859  
2009/0323317 A1\* 12/2009 Spartano ..... F21V 14/065  
362/105  
2016/0146443 A1\* 5/2016 Steiner ..... F21V 23/001  
362/105

\* cited by examiner

*Primary Examiner* — Lakiya G Rogers

*Assistant Examiner* — Carissa C Fitts

(74) *Attorney, Agent, or Firm* — Manabu Kanesaka

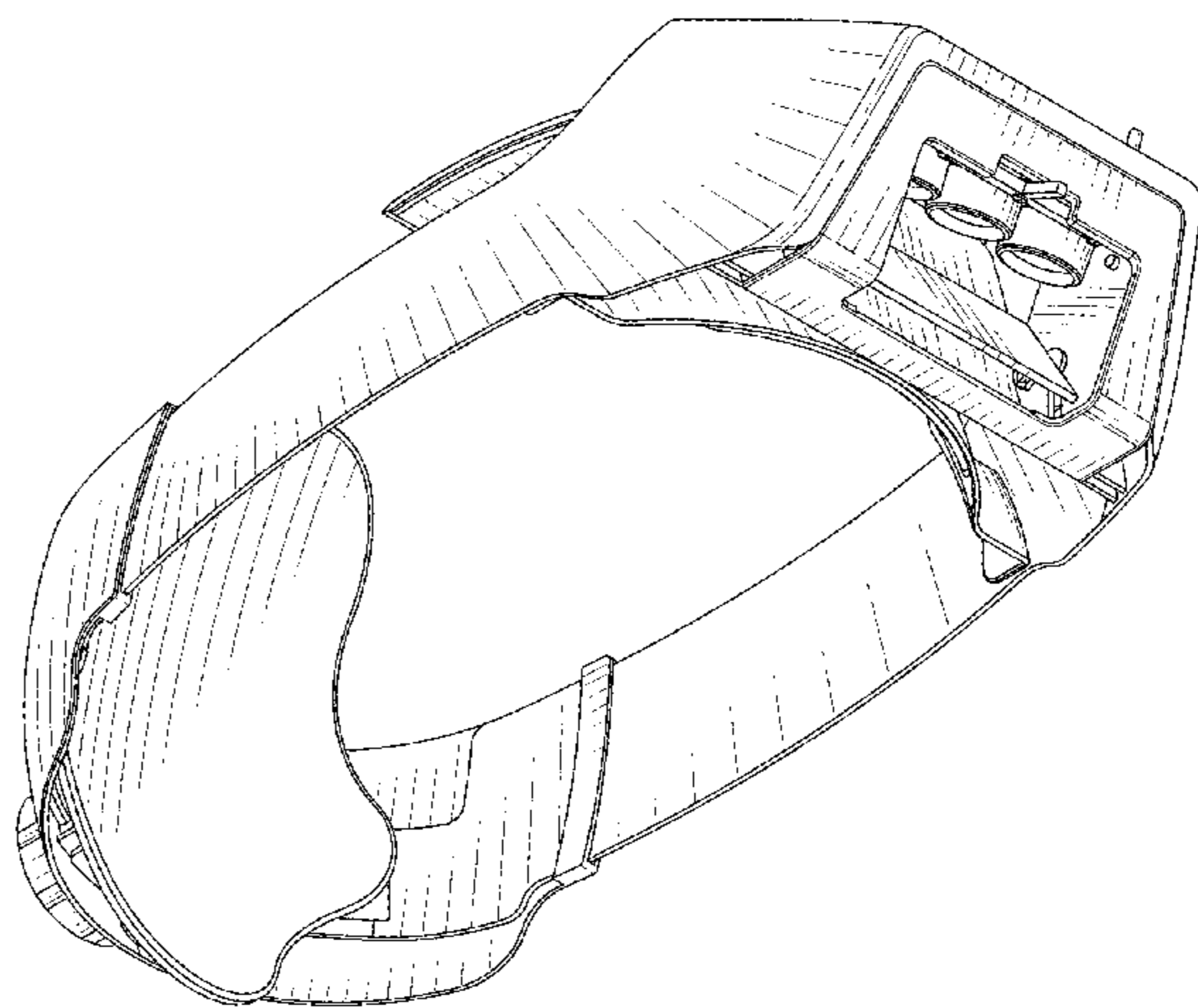
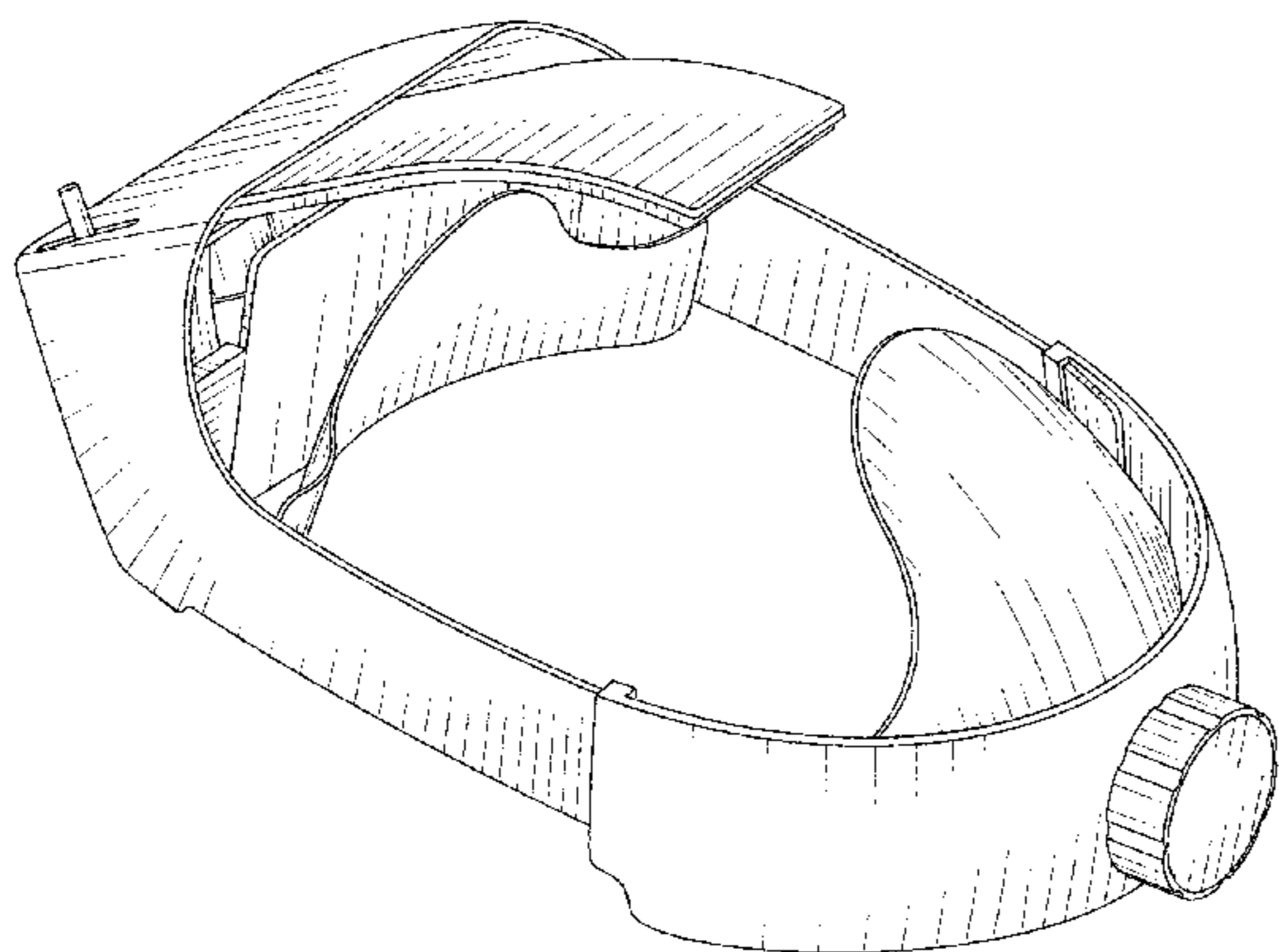
(57) **CLAIM**

The ornamental design for light for medical use, as shown and described.

**DESCRIPTION**

FIG. 1 is a front view of a light for medical use showing our new design;  
FIG. 2 is a rear view thereof;  
FIG. 3 is a plan view thereof;  
FIG. 4 is a bottom view thereof;  
FIG. 5 is a right side view thereof;  
FIG. 6 is a left side view thereof;  
FIG. 7 is a first perspective view thereof;  
FIG. 8 is a second perspective view thereof; and,  
FIG. 9 is a third perspective view thereof.

**1 Claim, 7 Drawing Sheets**



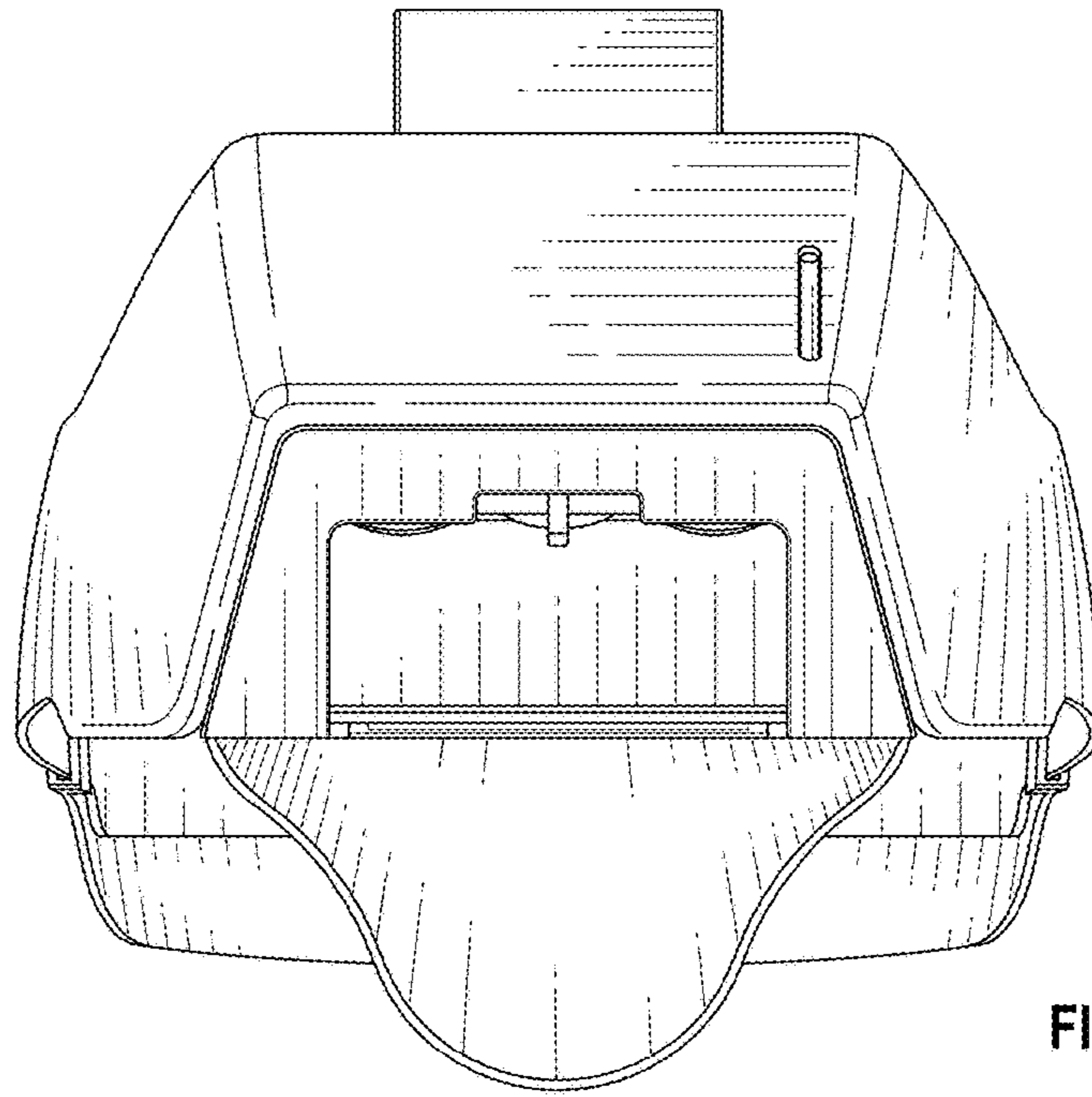


FIG. 1

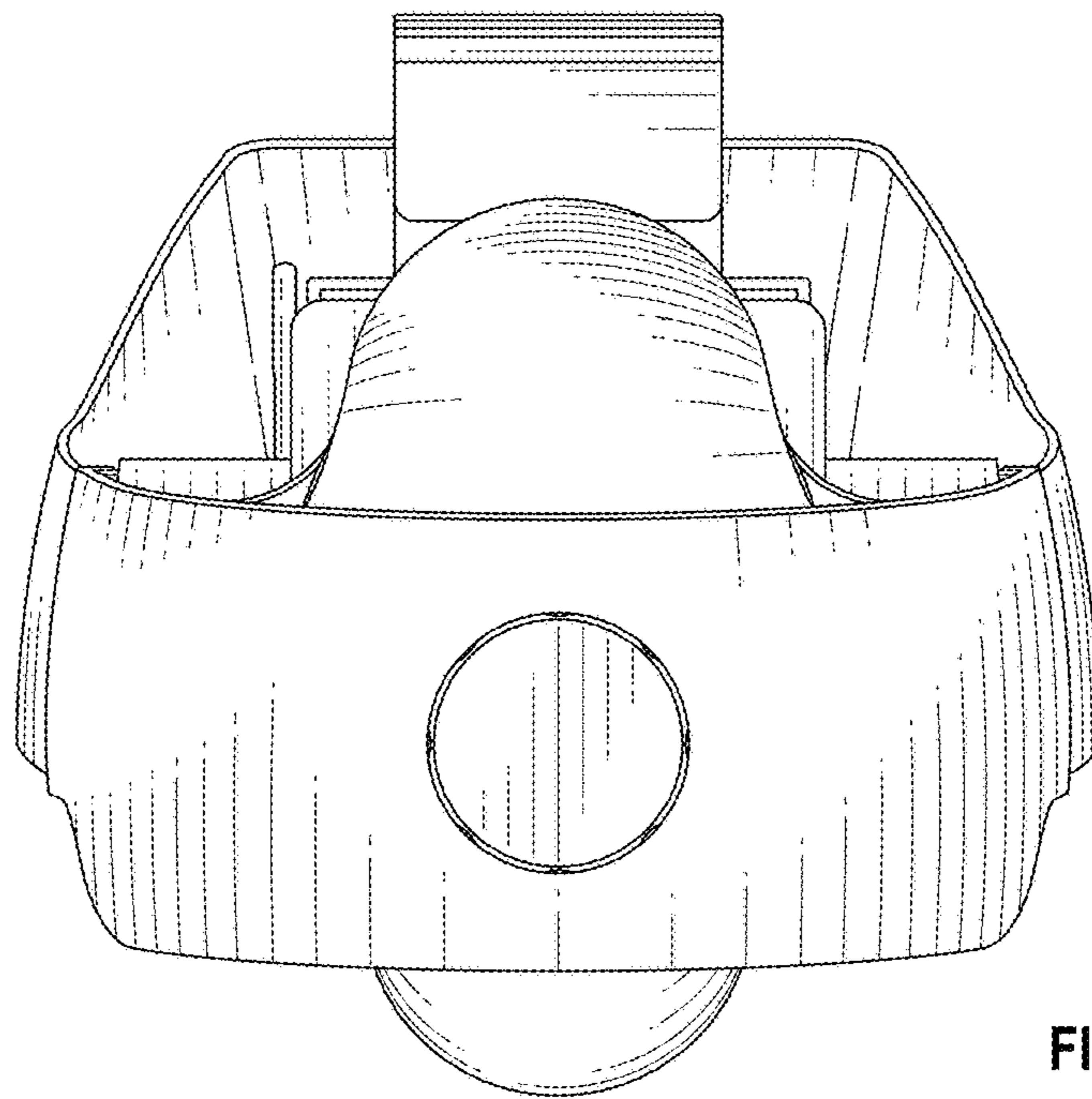


FIG. 2

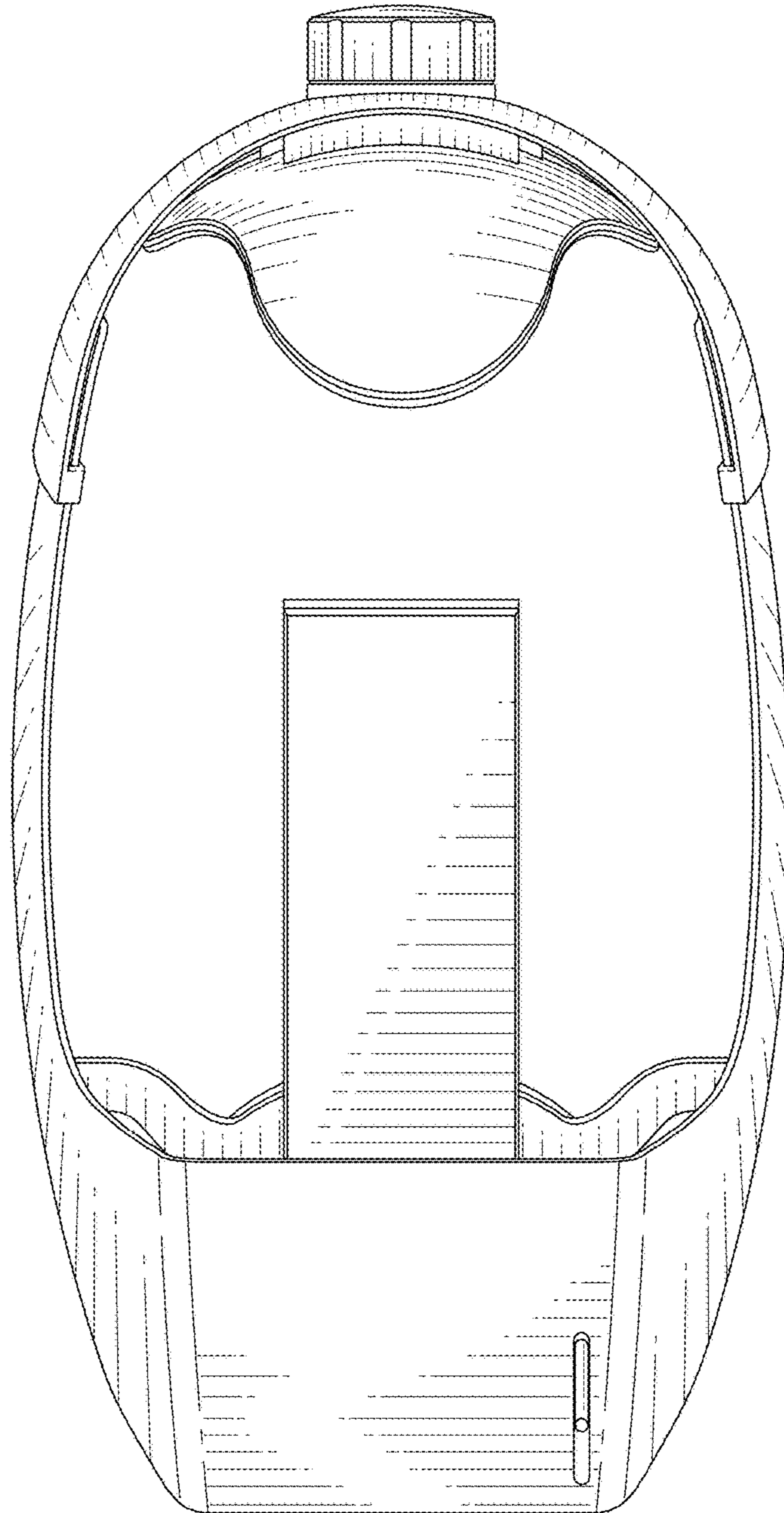


FIG. 3

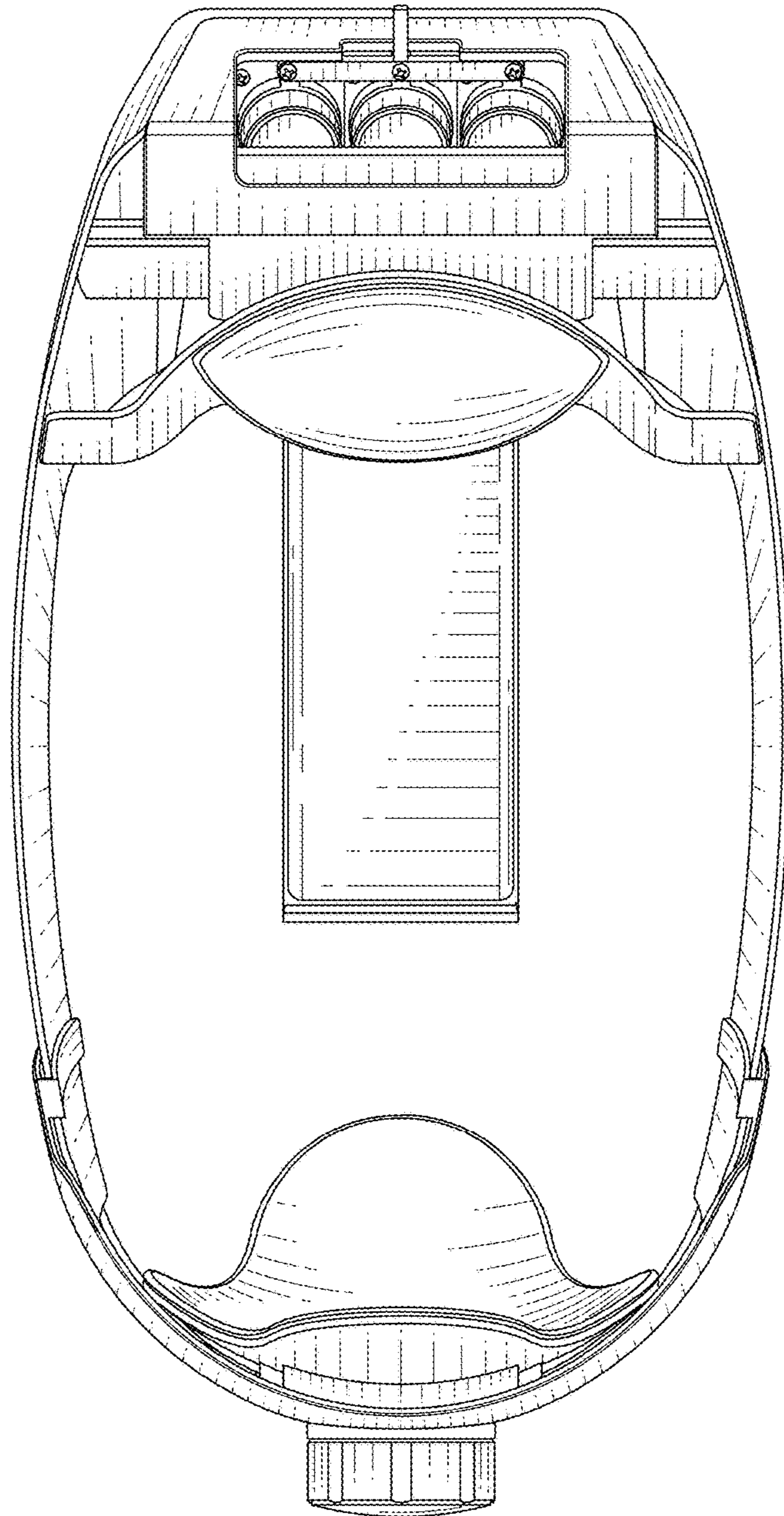


FIG. 4

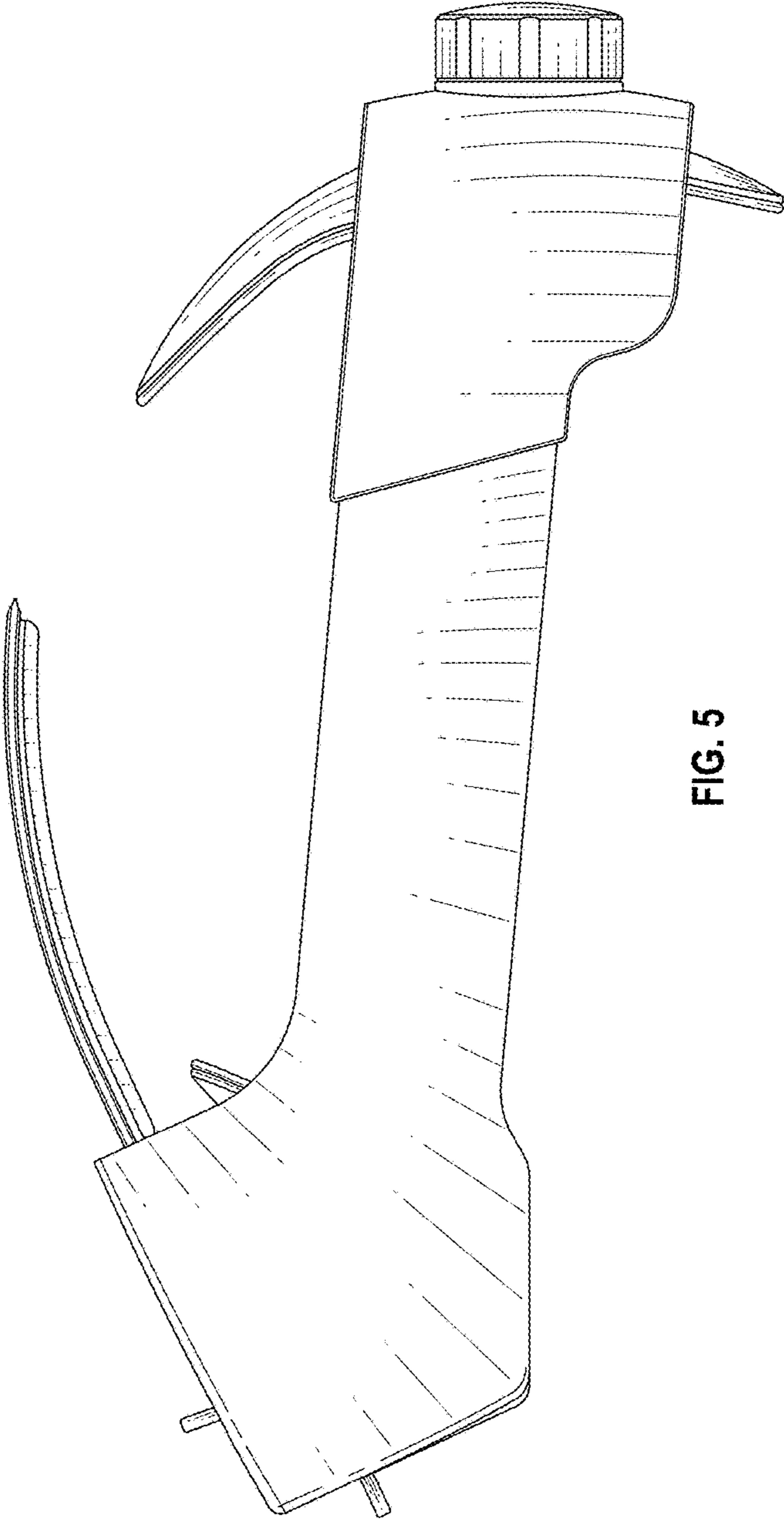


FIG. 5

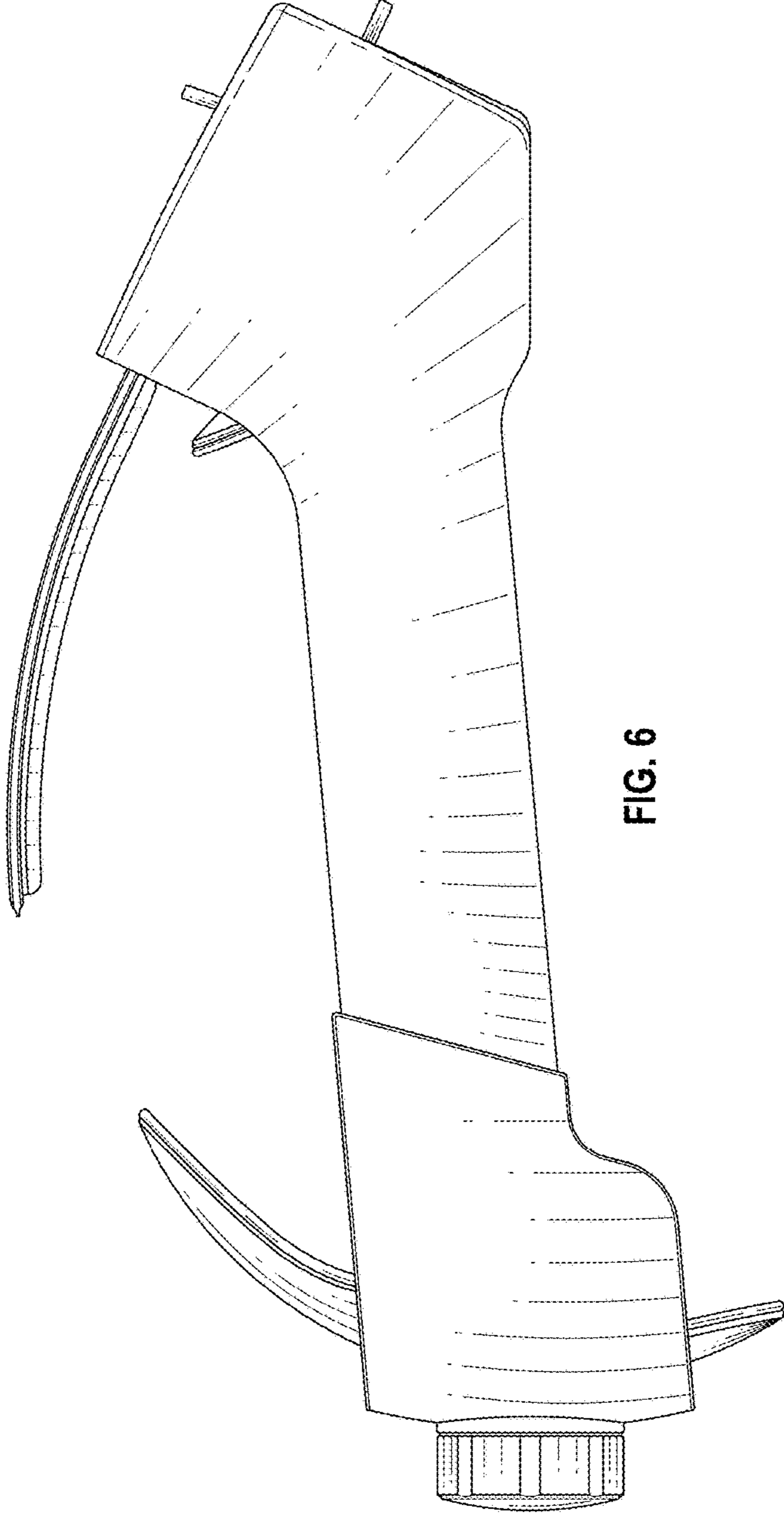


FIG. 6

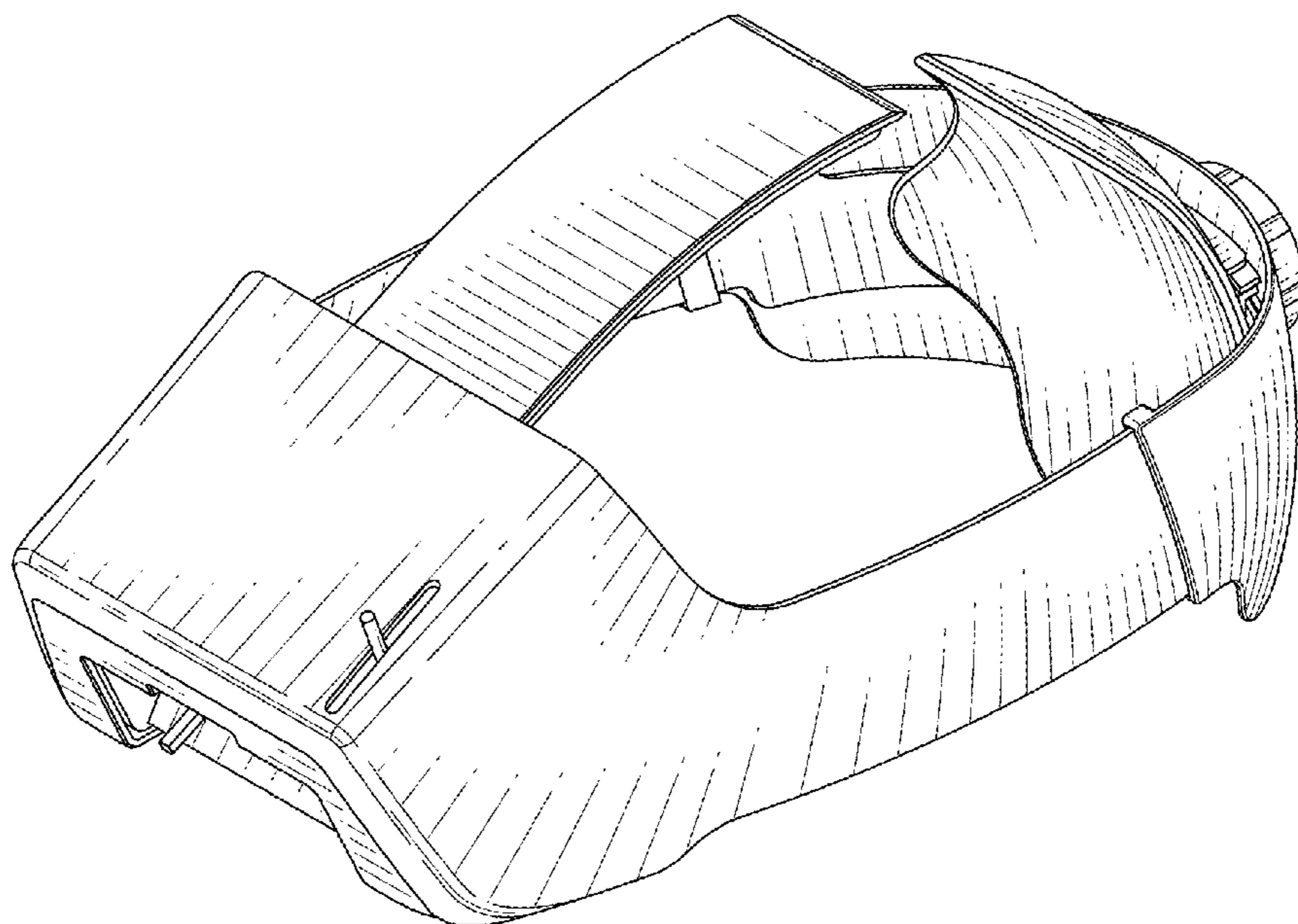


FIG. 7

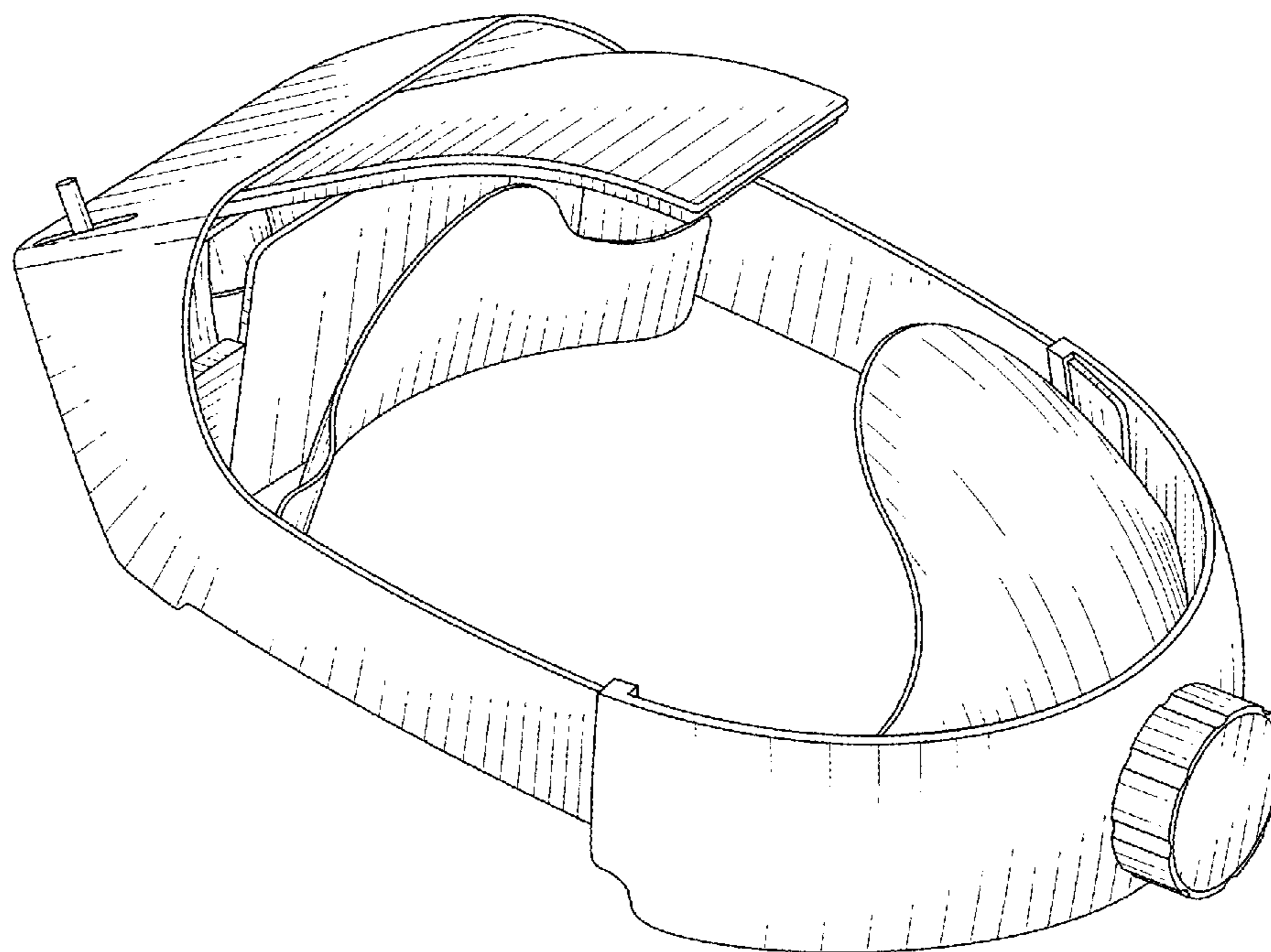


FIG. 8

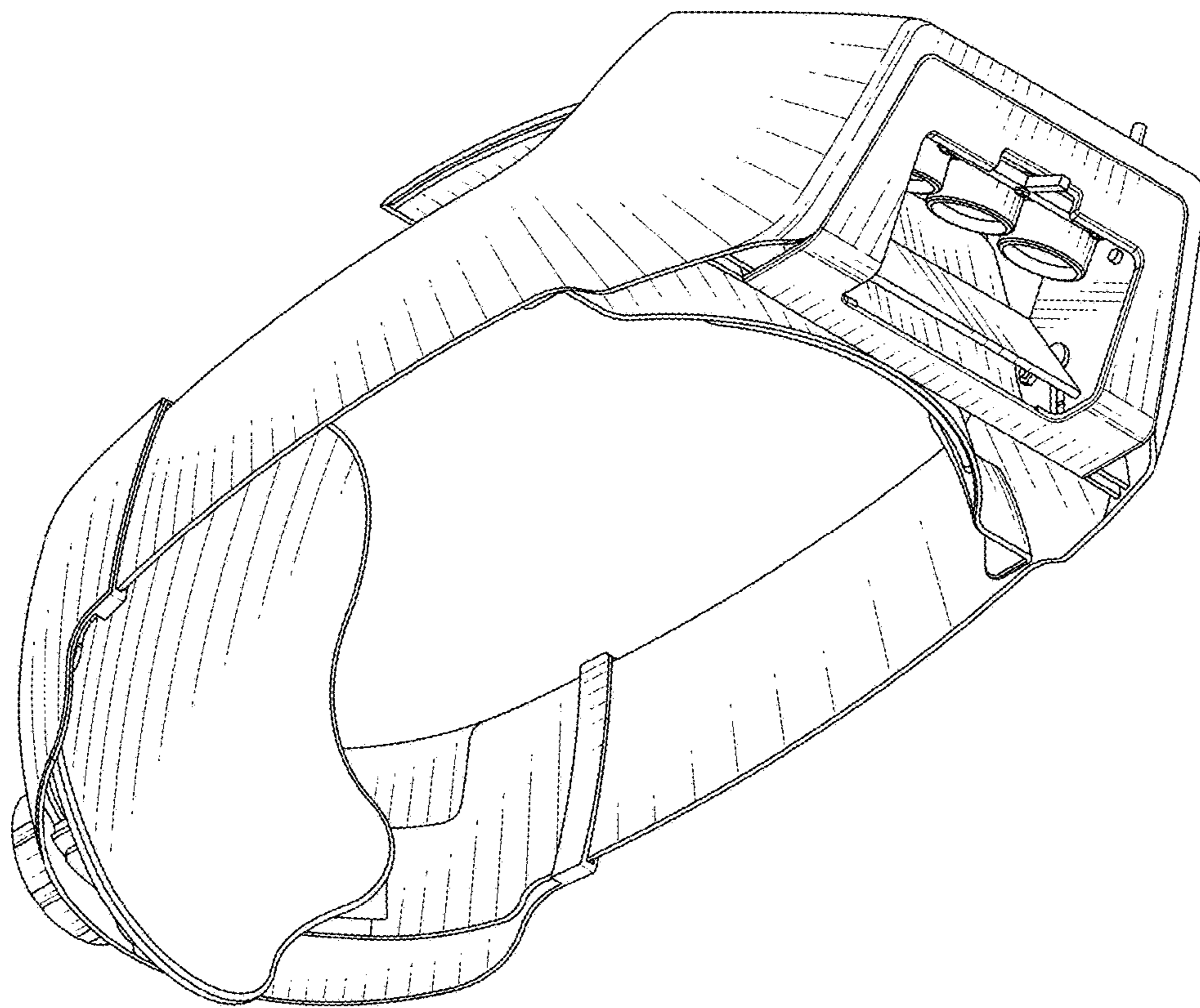


FIG. 9