

US00D850680S

(12) **United States Design Patent**
Case et al.

(10) **Patent No.:** **US D850,680 S**
(45) **Date of Patent:** **** Jun. 4, 2019**

- (54) **LED BALL LANTERN**
- (71) Applicant: **Nite Ize, Inc.**, Boulder, CO (US)
- (72) Inventors: **Richard N. Case**, Boulder, CO (US);
Bowden Ormsbee, Longmont, CO (US); **Leo J. Lesperance**, Erie, CO (US)
- (73) Assignee: **Nite Ize, Inc.**, Boulder, CO (US)
- (**) Term: **15 Years**
- (21) Appl. No.: **29/550,604**
- (22) Filed: **Jan. 5, 2016**
- (51) **LOC (11) Cl.** **26-02**
- (52) **U.S. Cl.**
USPC **D26/37**
- (58) **Field of Classification Search**
USPC D26/44, 46, 37-42, 48-49; 362/103,
362/105, 109, 173, 182, 186, 196, 428,
362/460; D8/356, 367; D10/37
CPC . A42B 3/044; A42B 3/04; F21L 15/14; F21L
11/00; B63C 9/20; A63B 43/06
See application file for complete search history.

(56) **References Cited**

U.S. PATENT DOCUMENTS

D36,724 S *	1/1904	Levy	D11/85
1,074,376 A *	9/1913	Neudorffer	F21L 4/00 200/60
1,566,457 A *	12/1925	Whalin	F21V 5/04 362/335
D86,734 S *	4/1932	Mitchell	D26/44
D97,535 S *	11/1935	Mossman	D11/80
5,469,345 A *	11/1995	Pettersen	F21L 4/00 362/188
D495,075 S *	8/2004	Oas	D26/37
D501,843 S *	2/2005	Oas	D14/188

D504,306 S *	4/2005	Chisolm	D8/356
D505,867 S *	6/2005	Cooper	D10/15
D521,587 S *	5/2006	Smith	D10/31
D524,469 S *	7/2006	Pitot	D26/37
D535,416 S *	1/2007	O'Dell	D26/37

(Continued)

FOREIGN PATENT DOCUMENTS

JP D1106738 * 4/2001

OTHER PUBLICATIONS

Dog Collar Display Light, Nite Ize, posted at amazon.com, customer review and video from Mar. 5, 2008, © 1996-2016 Amazon.com, [online], [site visited Oct. 27, 2016]. Available from Internet, <URL:https://www.amazon.com/Nite-Ize-SpotLit-Carabiner-Resistant/dp/B0028MR47U?th=1.*

(Continued)

Primary Examiner — Shannon W Morgan

Assistant Examiner — Altaira J Swangin

(74) *Attorney, Agent, or Firm* — Haynes and Boone, LLP

(57) **CLAIM**

The ornamental design for an LED ball lantern, as shown and described.

DESCRIPTION

FIG. 1 is a front perspective view of the LED ball lantern; FIG. 2 is a back perspective view of the LED ball lantern of FIG. 1; FIG. 3 is a front view of the LED ball lantern of FIG. 1; FIG. 4 is a back view of the LED ball lantern of FIG. 1; FIG. 5 is a right side view of the LED ball lantern of FIG. 1; FIG. 6 is a left side view of the LED ball lantern of FIG. 1; FIG. 7 is a top view of the LED ball lantern of FIG. 1; and FIG. 8 is a bottom view of the LED ball lantern of FIG. 1.

1 Claim, 6 Drawing Sheets

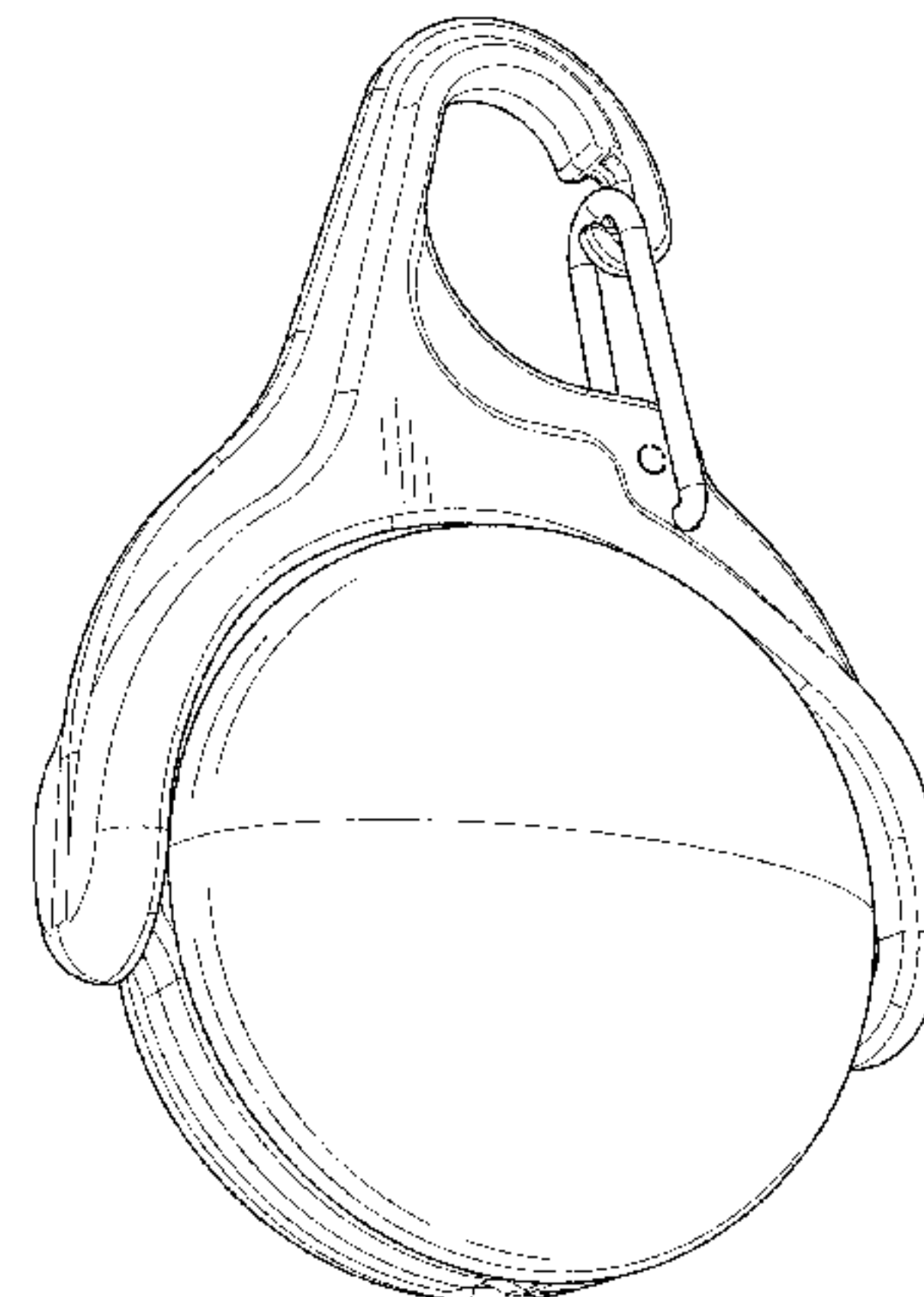
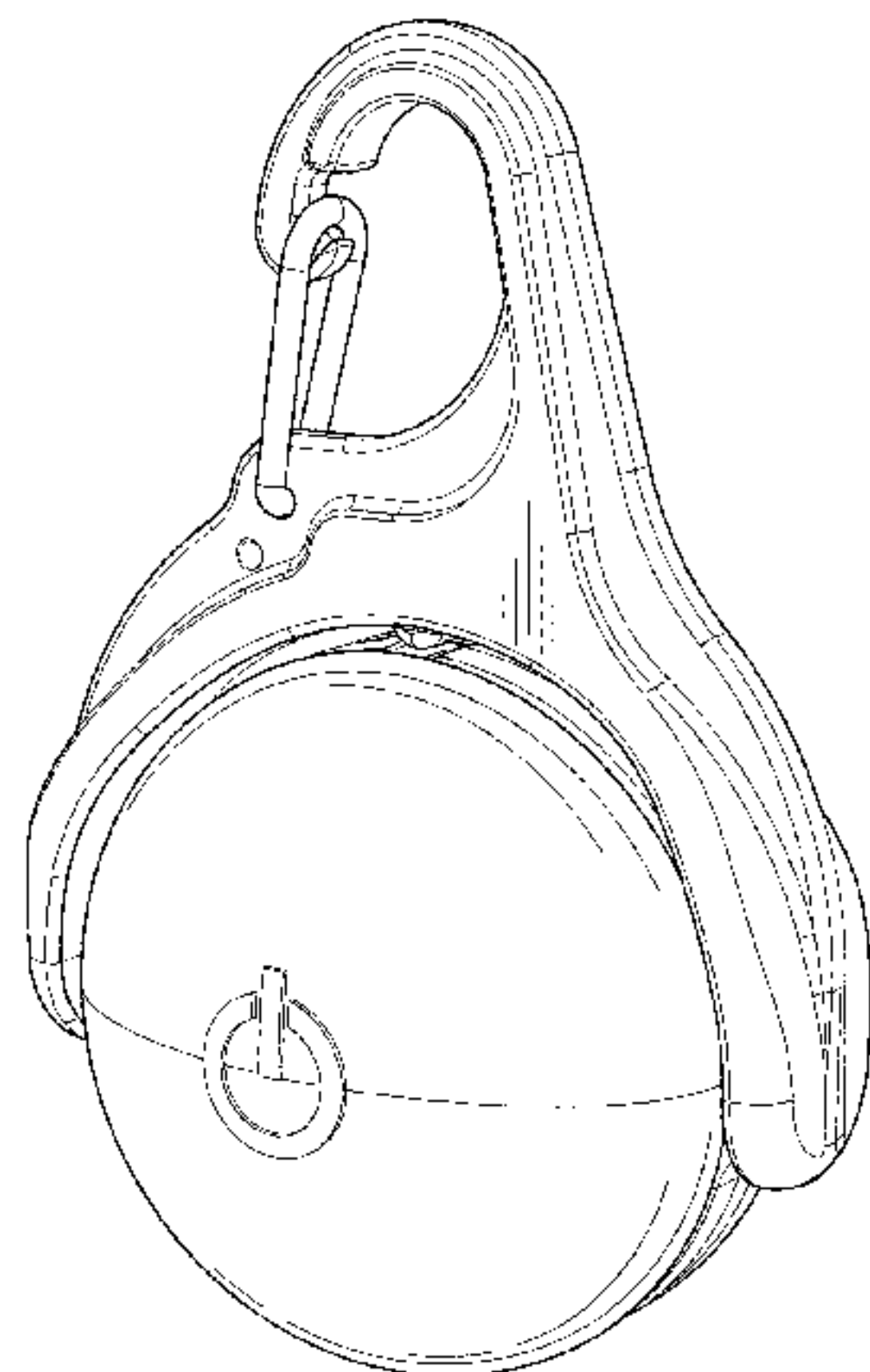


FIG. 1

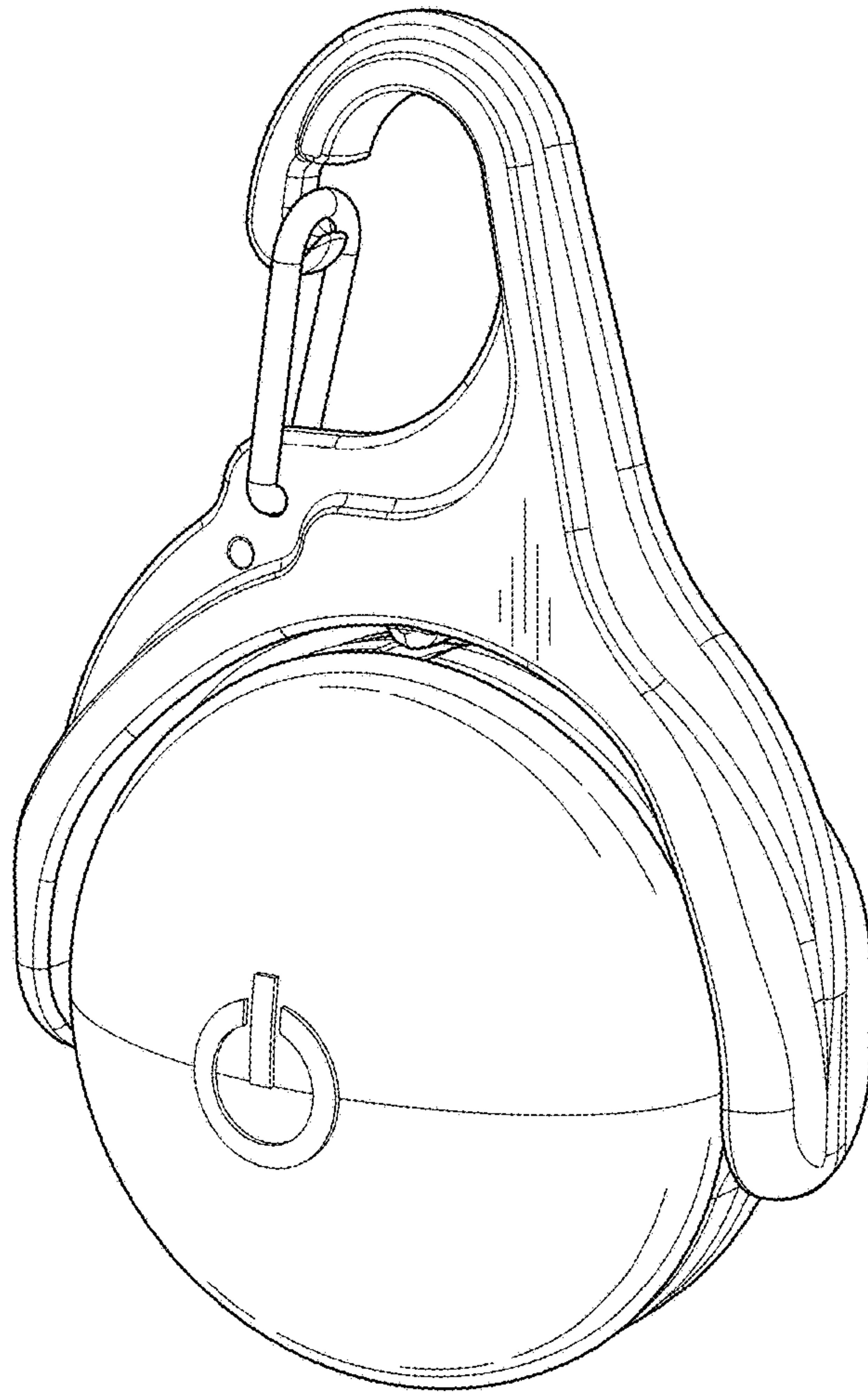


FIG. 2

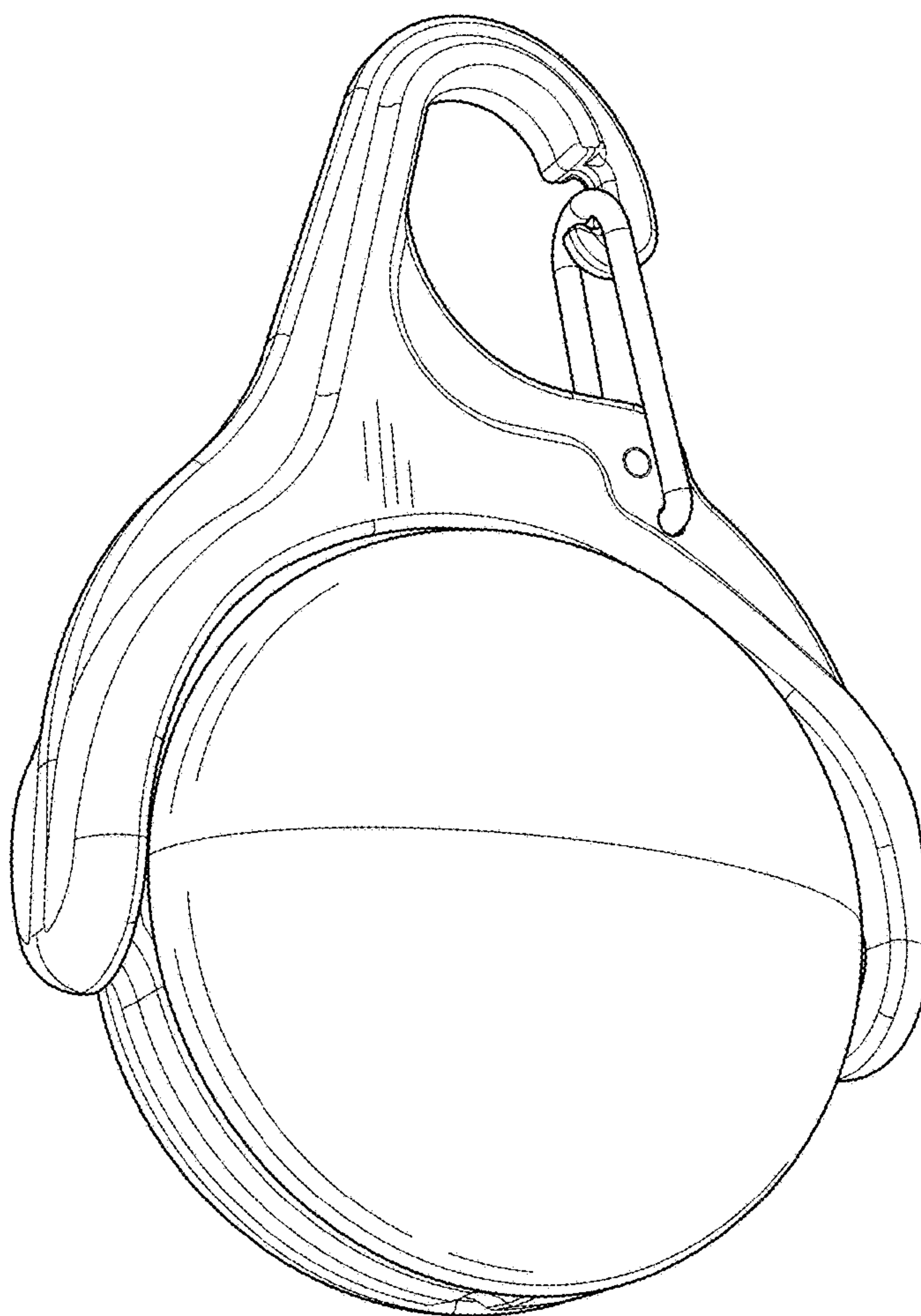


FIG. 3

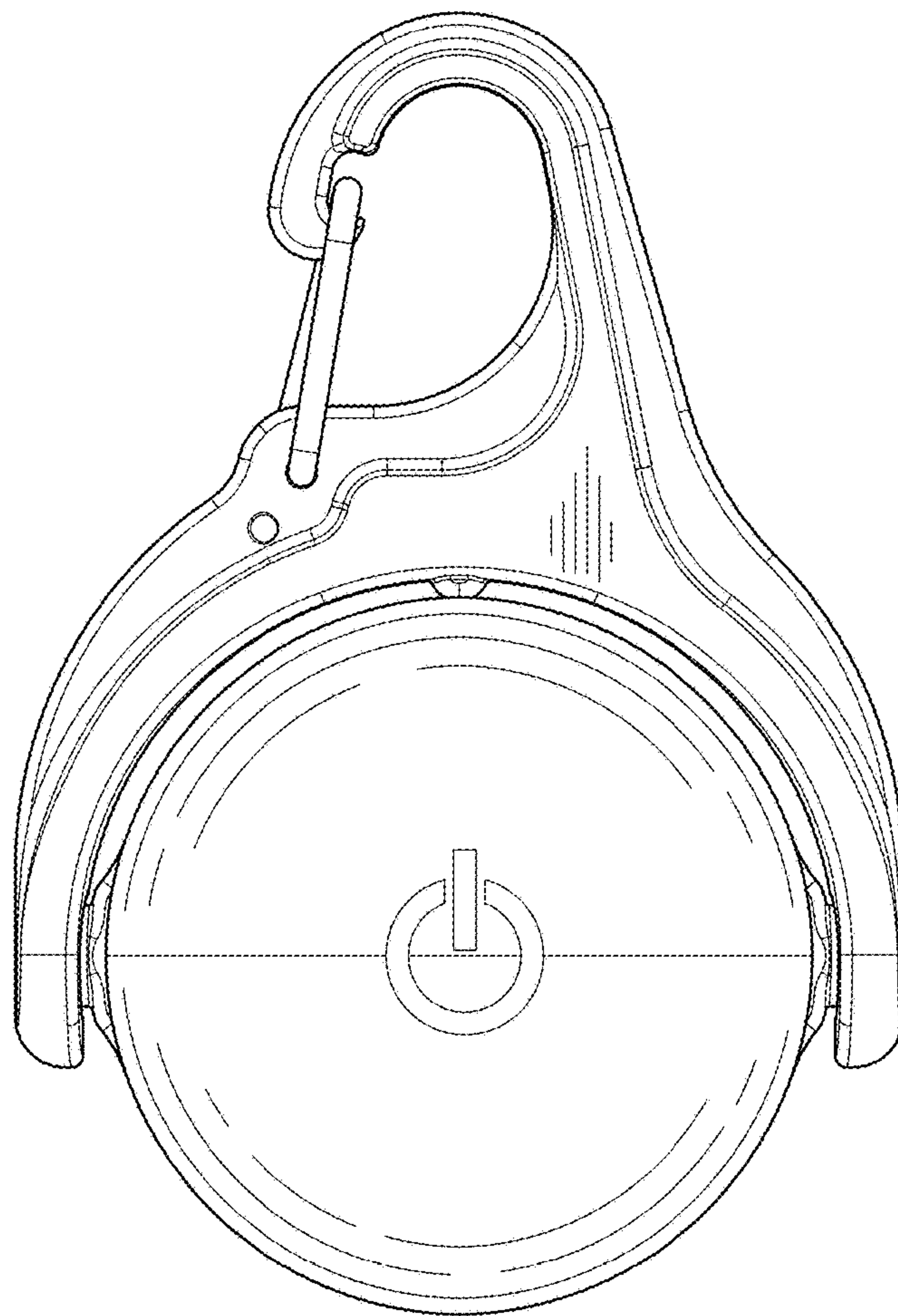


FIG. 4

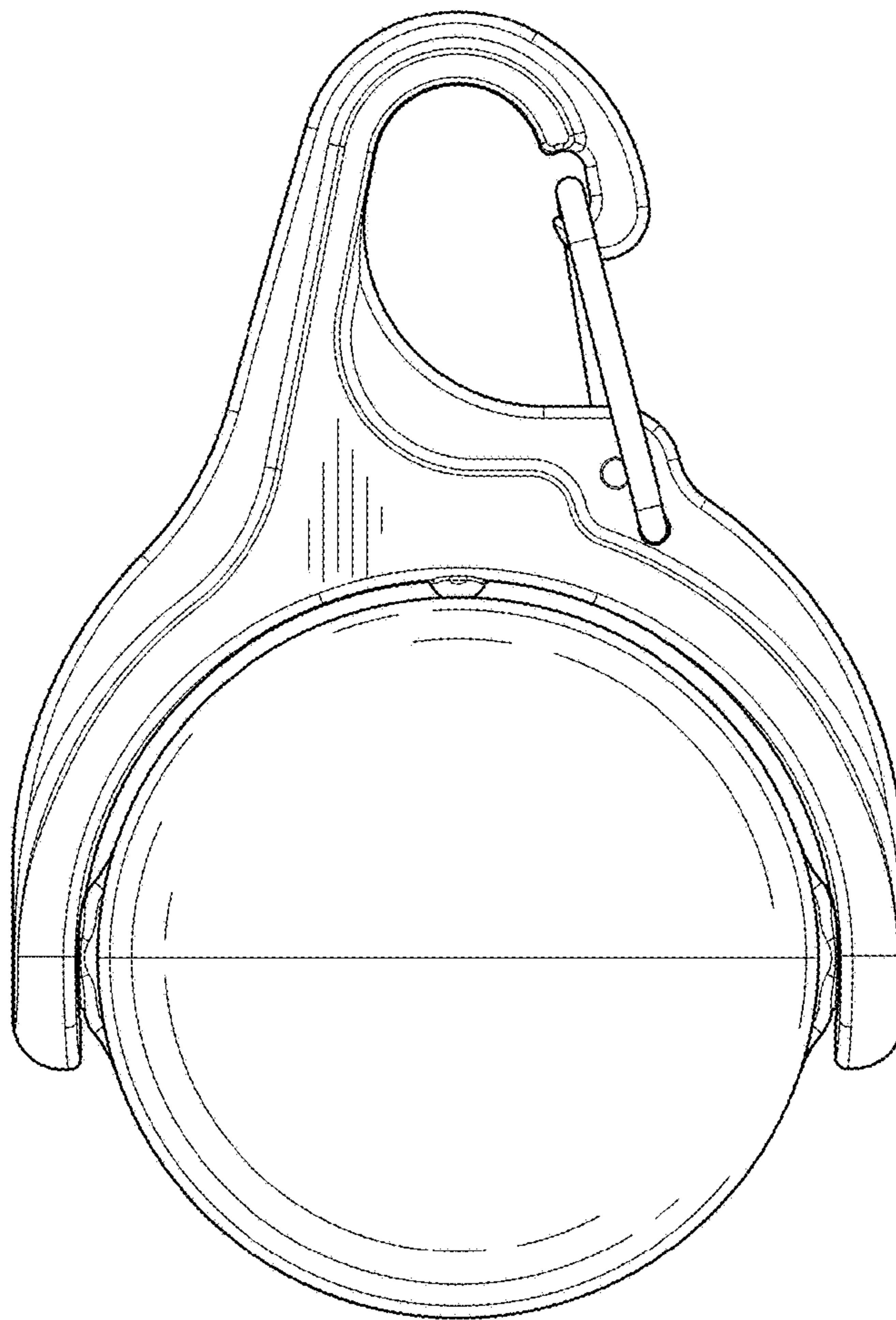


FIG. 5

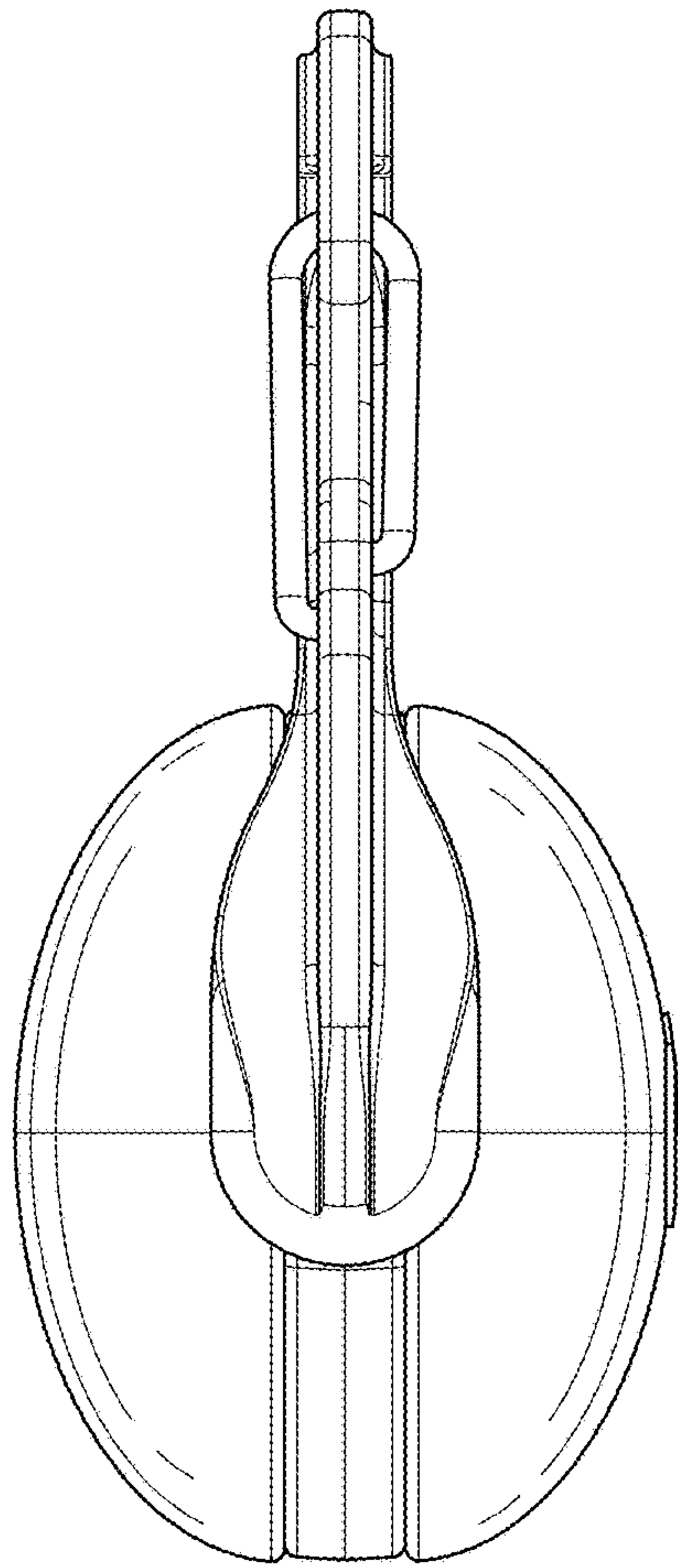


FIG. 6

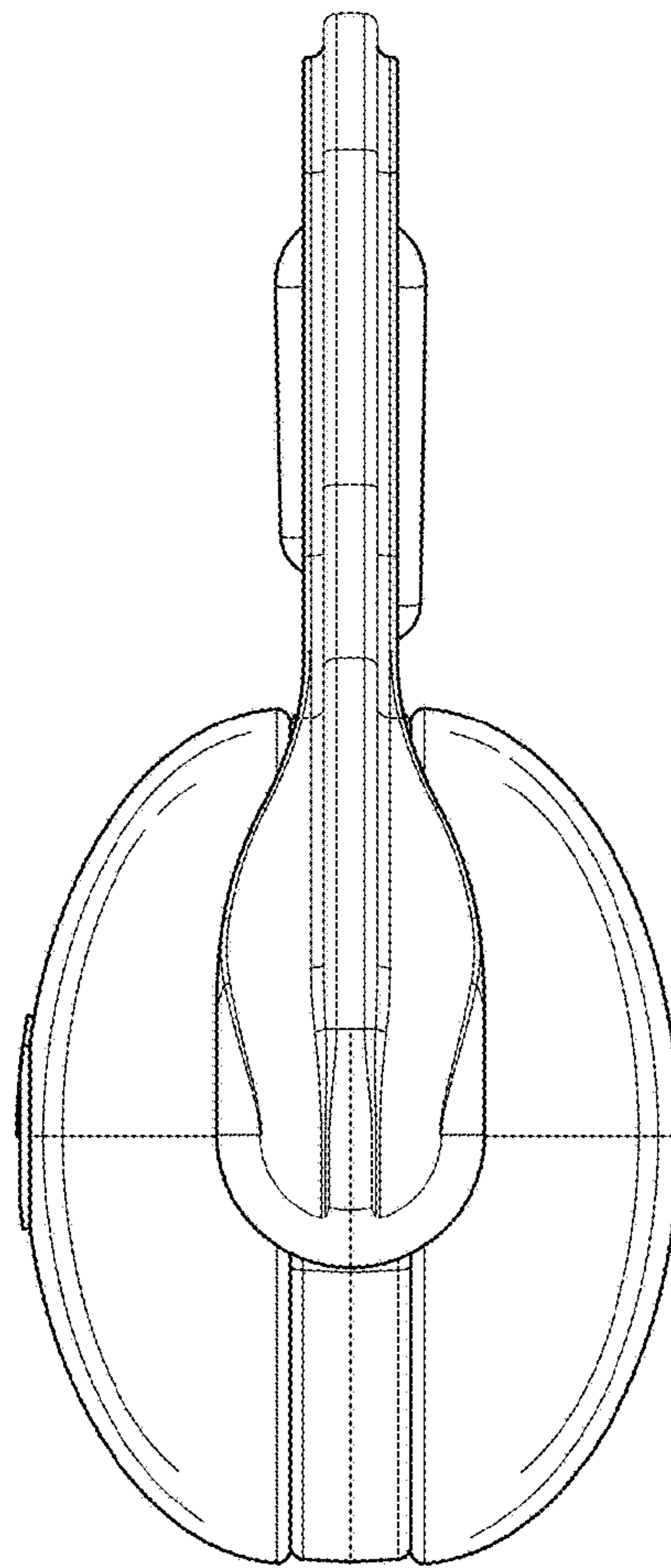


FIG. 7

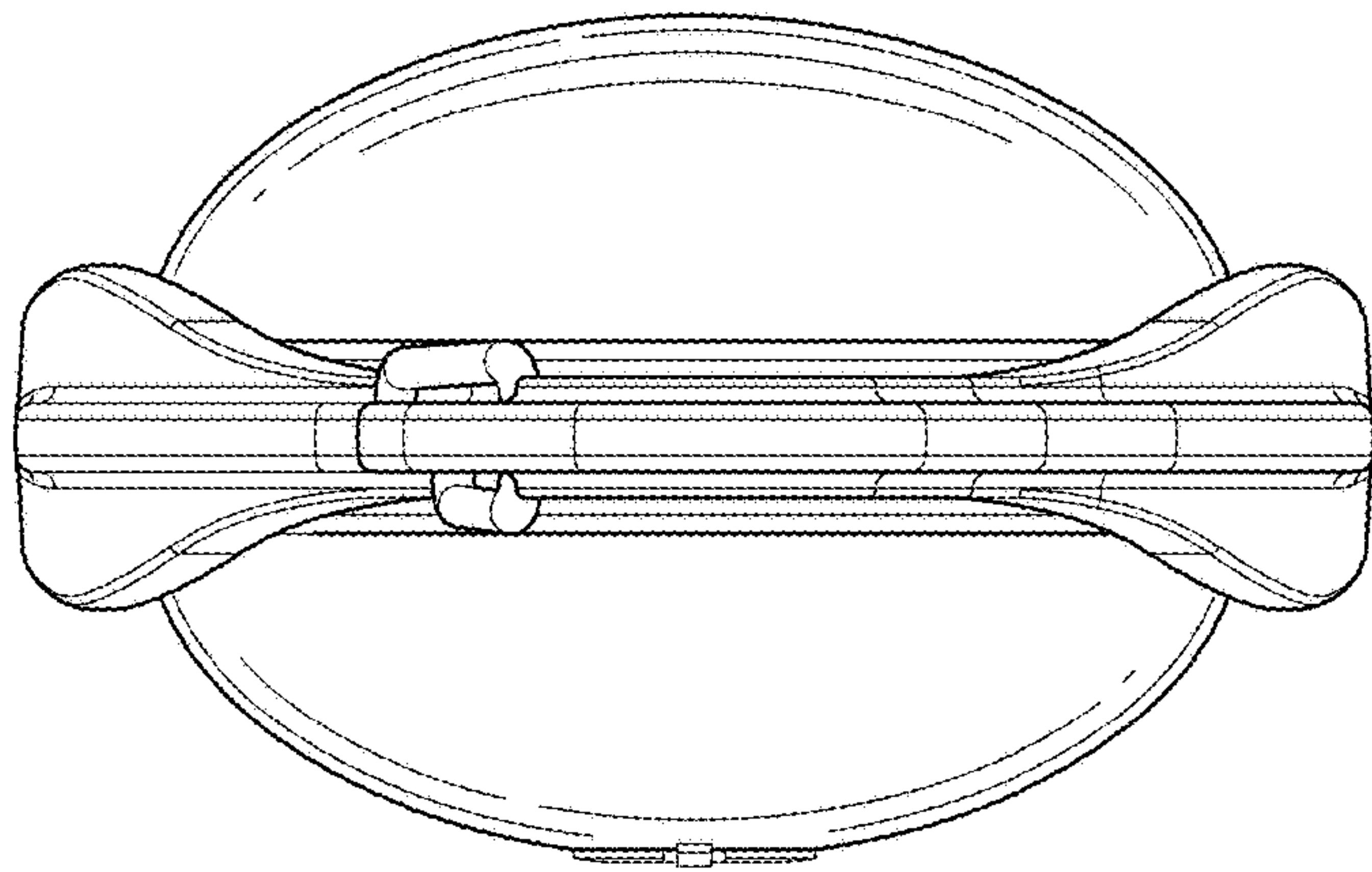


FIG. 8

