



US00D850676S

(12) **United States Design Patent**
Lin

(10) **Patent No.:** **US D850,676 S**

(45) **Date of Patent:** **** Jun. 4, 2019**

(54) **AUTOMOBILE HEADLIGHT**

(71) Applicant: **Chi-Chung Lin**, Hsinchu (TW)

(72) Inventor: **Chi-Chung Lin**, Hsinchu (TW)

(**) Term: **15 Years**

(21) Appl. No.: **29/638,326**

(22) Filed: **Feb. 26, 2018**

(51) **LOC (11) Cl.** **26-06**

(52) **U.S. Cl.**

USPC **D26/28**

(58) **Field of Classification Search**

USPC D26/28-36

CPC F21S 48/00; F21S 48/10; F21S 48/115;

F21S 48/225; F21S 48/1233; F21S

48/1266; F21S 48/1388; F21S 48/2268;

F21V 13/00; F21V 29/004

See application file for complete search history.

(56) **References Cited**

U.S. PATENT DOCUMENTS

D538,956 S * 3/2007 Ishii D26/28

D544,614 S * 6/2007 Markefka D26/28

D547,472 S 7/2007 Tant et al.

D556,349 S * 11/2007 Golden D26/28

D561,358 S * 2/2008 Tachibana D26/28

D570,007 S * 5/2008 Hsu D26/28

D582,587 S * 12/2008 Yang D26/28

D593,232 S * 5/2009 Koman D26/28

D708,365 S 7/2014 Platto et al.

* cited by examiner

Primary Examiner — Marcus A Jackson

(74) *Attorney, Agent, or Firm* — Alexander Chen, Esq.

(57) **CLAIM**

The ornamental design for an automobile headlight, as shown and described.

DESCRIPTION

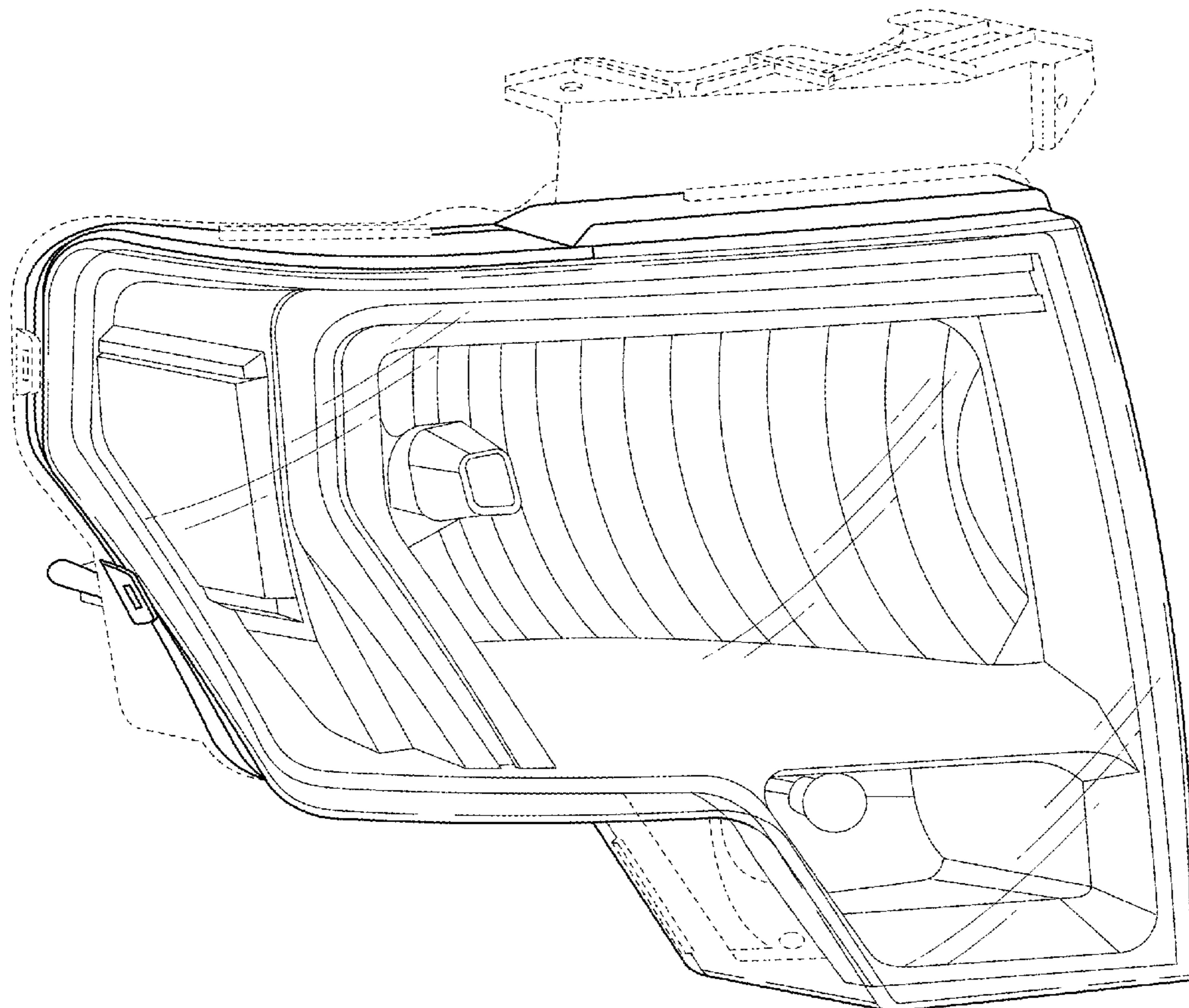
FIG. 1 is a perspective view of an automobile headlight;

FIG. 2 is a front view thereof; and,

FIG. 3 is a side view thereof.

The broken lines are included to show environmental structure and form no part of the claimed design. The drawings and descriptions represent the left side embodiment. The claim is also for a mirror image right side embodiment.

1 Claim, 3 Drawing Sheets



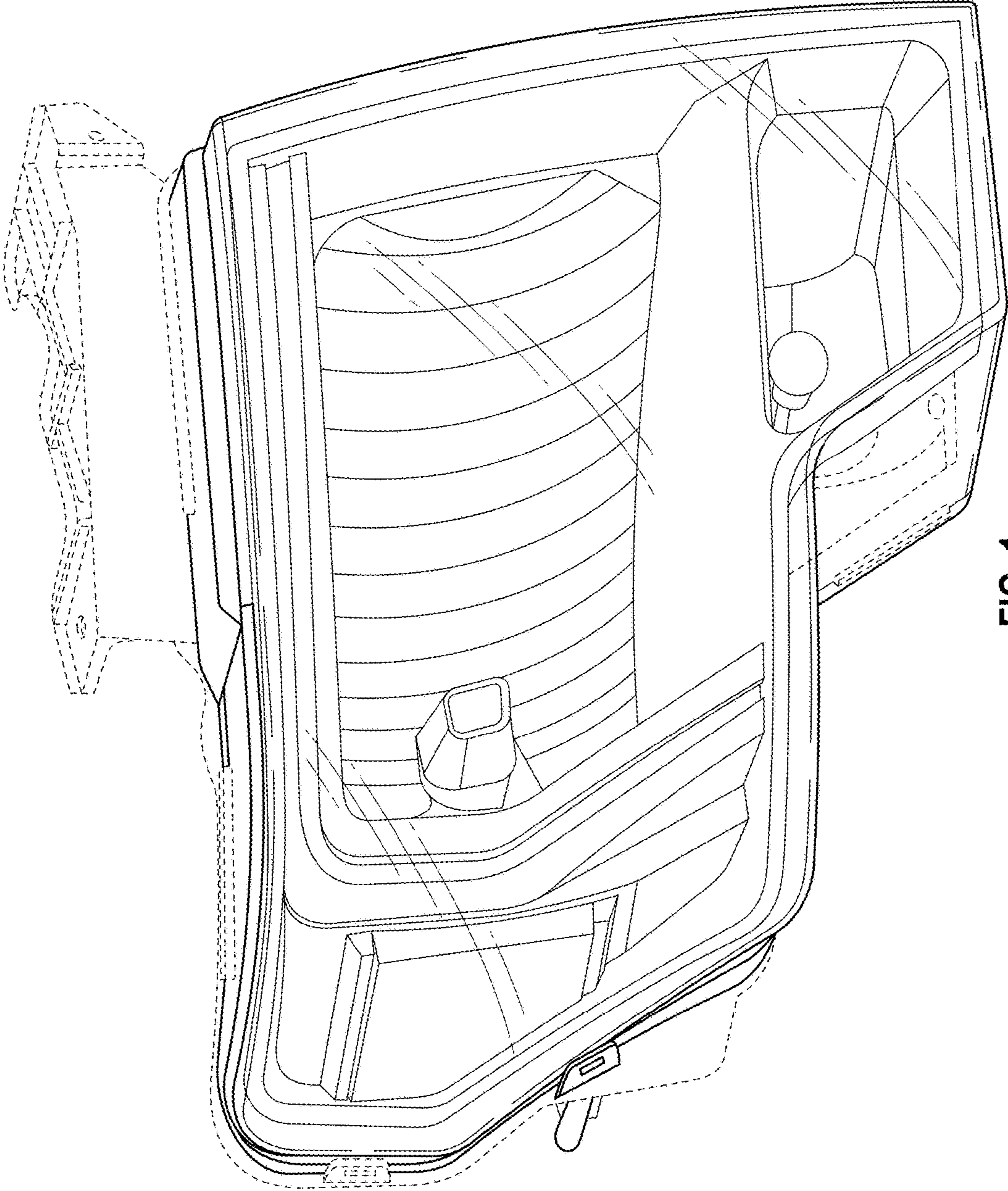


FIG. 1

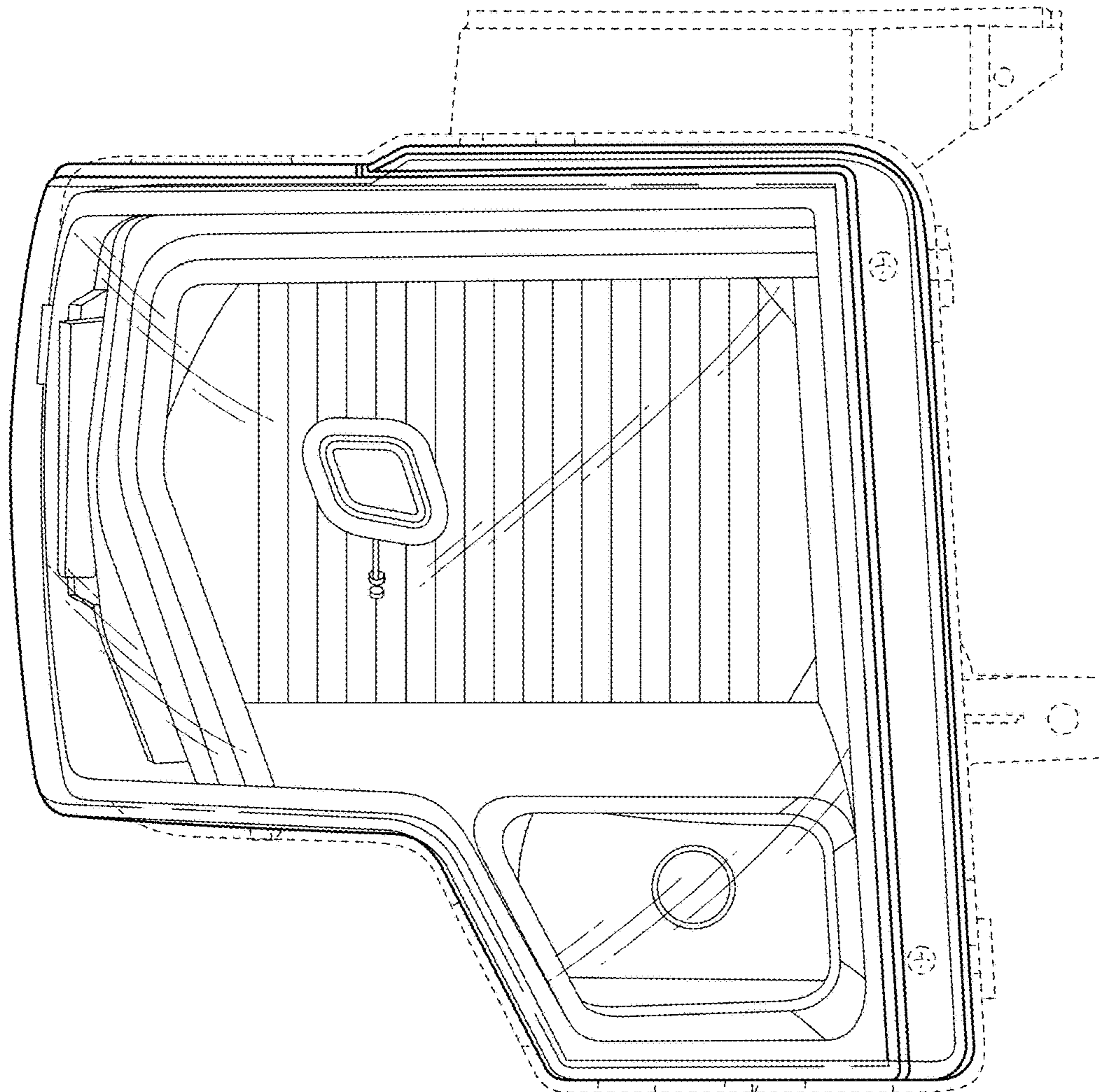


FIG. 2

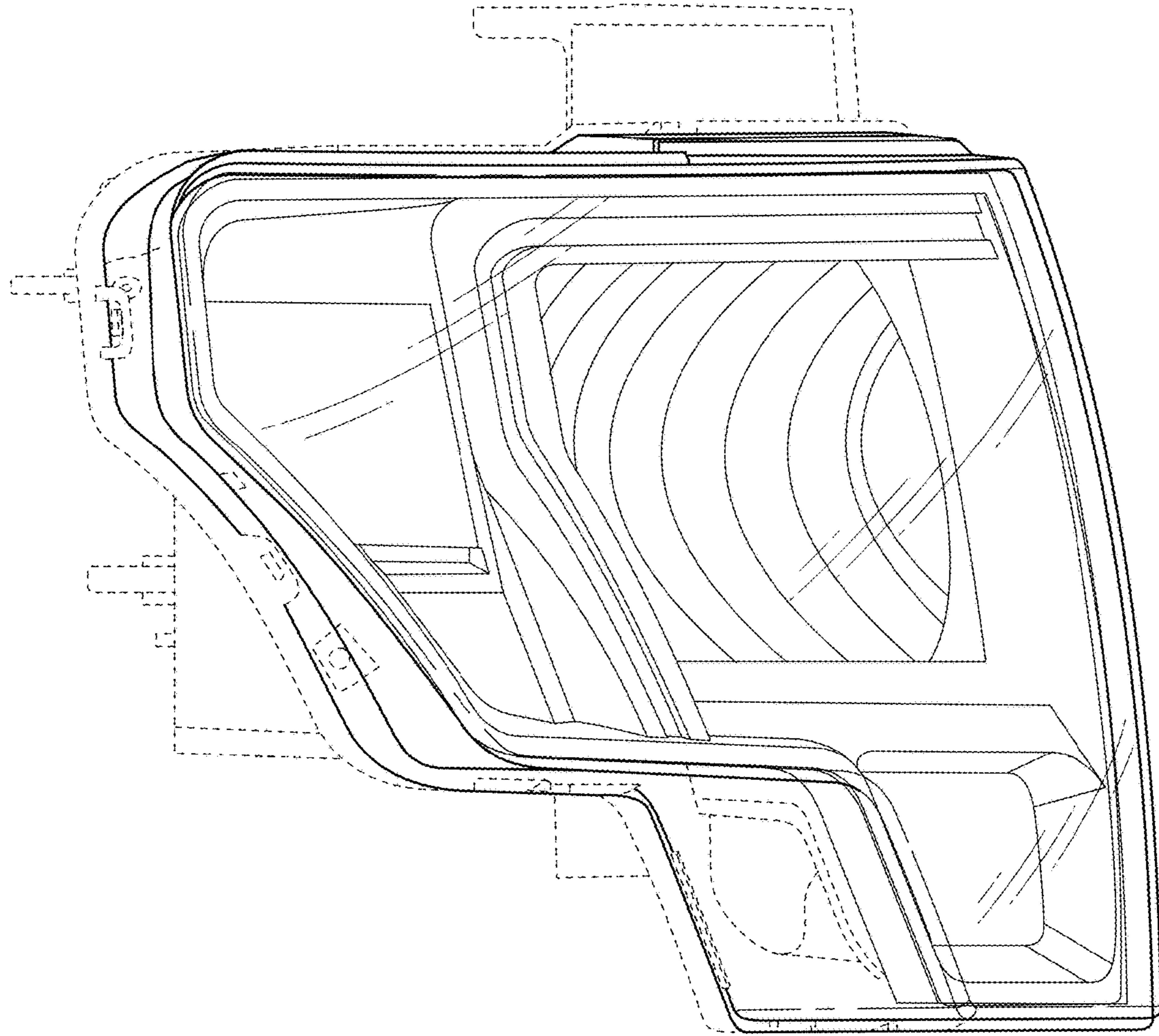


FIG. 3