



US00D850674S

(12) **United States Design Patent**
Granlund

(10) **Patent No.:** **US D850,674 S**
(45) **Date of Patent:** **** Jun. 4, 2019**

- (54) **HEADLIGHT FOR A VEHICLE**
- (71) Applicant: **CHINA-EURO VEHICLE TECHNOLOGY AKTIEBOLAG**,
Gothenburg (SE)
- (72) Inventor: **Ola Granlund**, Gothenburg (SE)
- (73) Assignee: **CHINA-EURO VEHICLE TECHNOLOGY AKTIEBOLAG**,
Gothenburg (SE)
- (**) Term: **15 Years**
- (21) Appl. No.: **29/627,402**
- (22) Filed: **Nov. 27, 2017**

- D552,768 S * 10/2007 Leclercq D26/28
- D563,576 S 3/2008 Hanaoka
- D570,007 S 5/2008 Hsu
- D573,278 S * 7/2008 Sowa D26/28
- D591,876 S 5/2009 Varga
- D607,590 S 1/2010 Weil
- D635,697 S 4/2011 Shin et al.
- D642,304 S 7/2011 Huet
- D686,356 S 7/2013 Morgenstern
- D709,215 S 7/2014 Futschik et al.
- D723,724 S * 3/2015 Johnson D26/28
- D736,969 S * 8/2015 Selvaag D26/28
- D739,056 S 9/2015 Nordmann
- D740,978 S 10/2015 Lee et al.
- D743,065 S * 11/2015 Weil D26/28
- D757,970 S * 5/2016 Binder D26/28
- D761,979 S 7/2016 Wu
- D762,314 S 7/2016 Luk
- D767,176 S * 9/2016 Faghihzadeh D26/28
- D778,470 S 2/2017 Ito et al.
- D787,721 S * 5/2017 Lai D26/28

Related U.S. Application Data

- (62) Division of application No. 29/577,955, filed on Sep. 16, 2016, now Pat. No. Des. 821,618.

Foreign Application Priority Data

- Mar. 18, 2016 (EM) DM/090 169

- (51) **LOC (11) Cl.** **26-07**
- (52) **U.S. Cl.**
USPC **D26/28**

- (58) **Field of Classification Search**
USPC D26/28, 29, 30, 31, 32, 33, 34, 35, 36;
362/459-468, 475-478, 485-487
CPC F21S 48/00; F21S 48/10; F21S 48/115;
F21S 48/225; F21S 48/1233; F21S
48/1266; F21S 48/1388; F21S 48/2268;
F21V 21/04
See application file for complete search history.

References Cited

U.S. PATENT DOCUMENTS

- D481,144 S * 10/2003 Takei D26/28
- D529,208 S 9/2006 Ikeda

(Continued)

Primary Examiner — Angela J Lee
(74) *Attorney, Agent, or Firm* — Lee & Hayes, P.C.

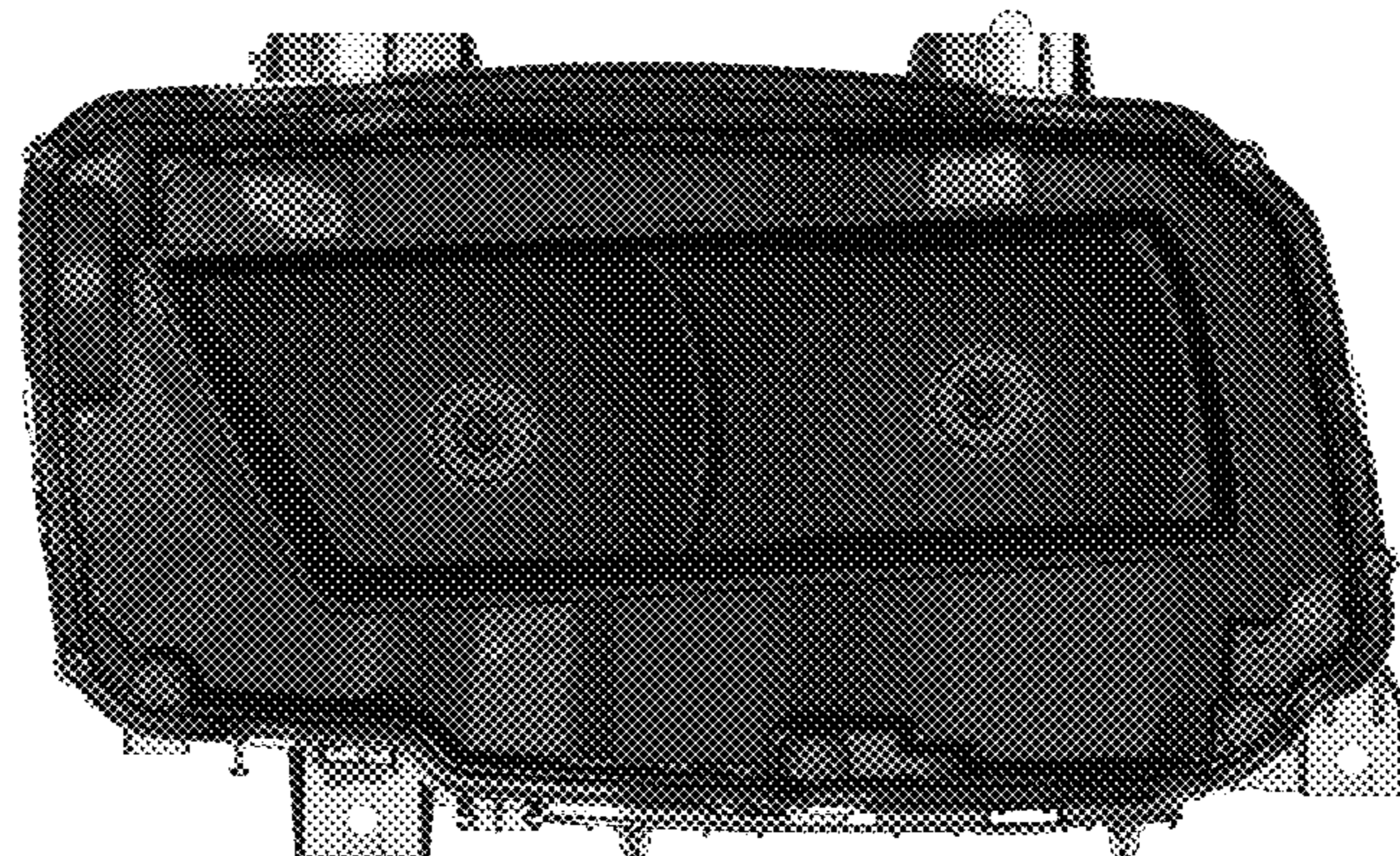
(57) **CLAIM**

The ornamental design for a headlight for a vehicle, as shown and described.

DESCRIPTION

FIG. 1 is a front perspective view of the headlight for a vehicle;
FIG. 2 is a front view thereof;
FIG. 3 is a right-side view thereof;
FIG. 4 is a back view thereof;
FIG. 5 is a left-side view thereof;
FIG. 6 is a top view thereof; and,
FIG. 7 is a bottom view thereof.

1 Claim, 7 Drawing Sheets



(56)

References Cited

U.S. PATENT DOCUMENTS

D801,559 S * 10/2017 Kinoshita D26/28
D815,768 S * 4/2018 Park D26/28

* cited by examiner



FIG. 1

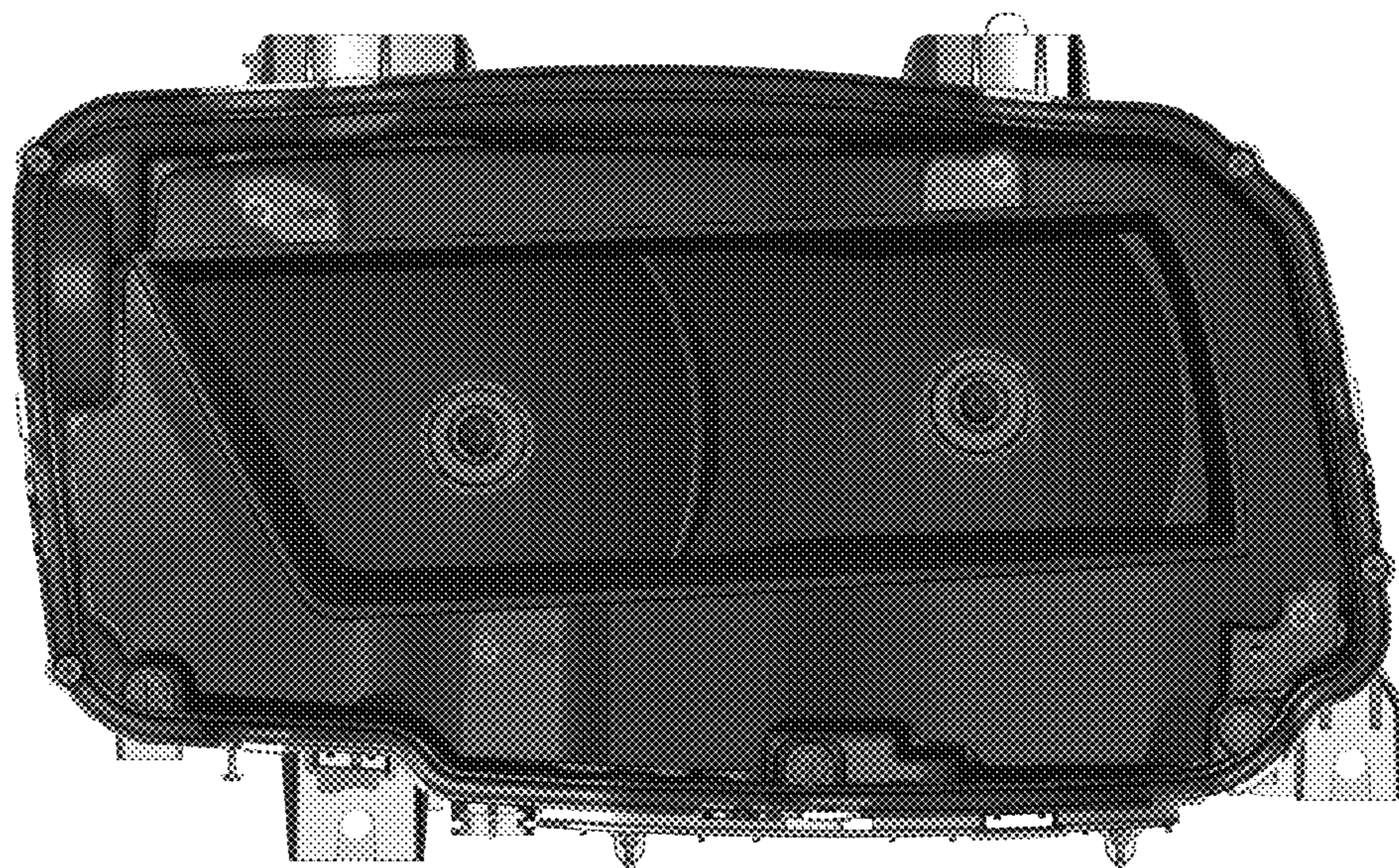


FIG. 2

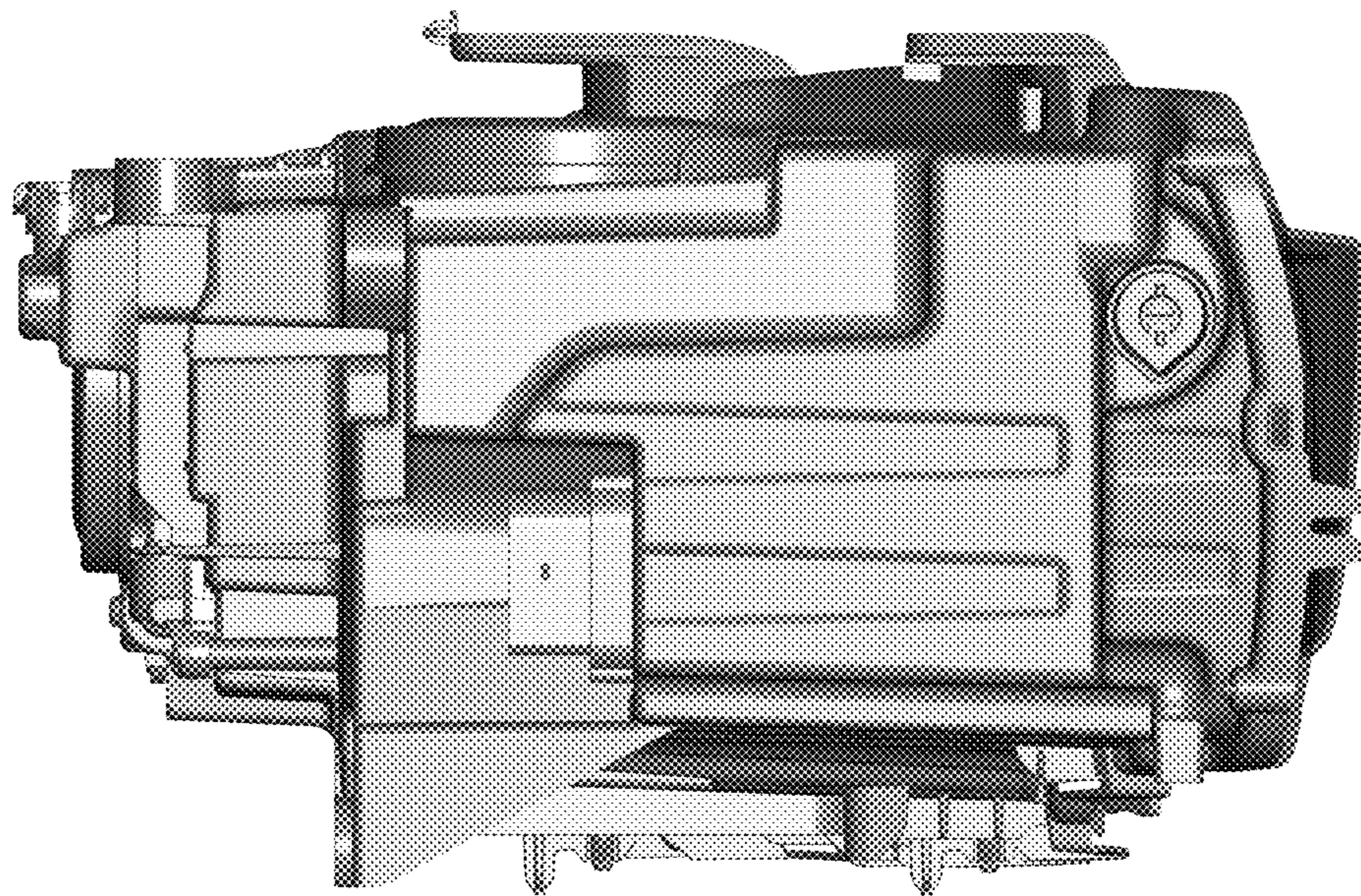


FIG. 3

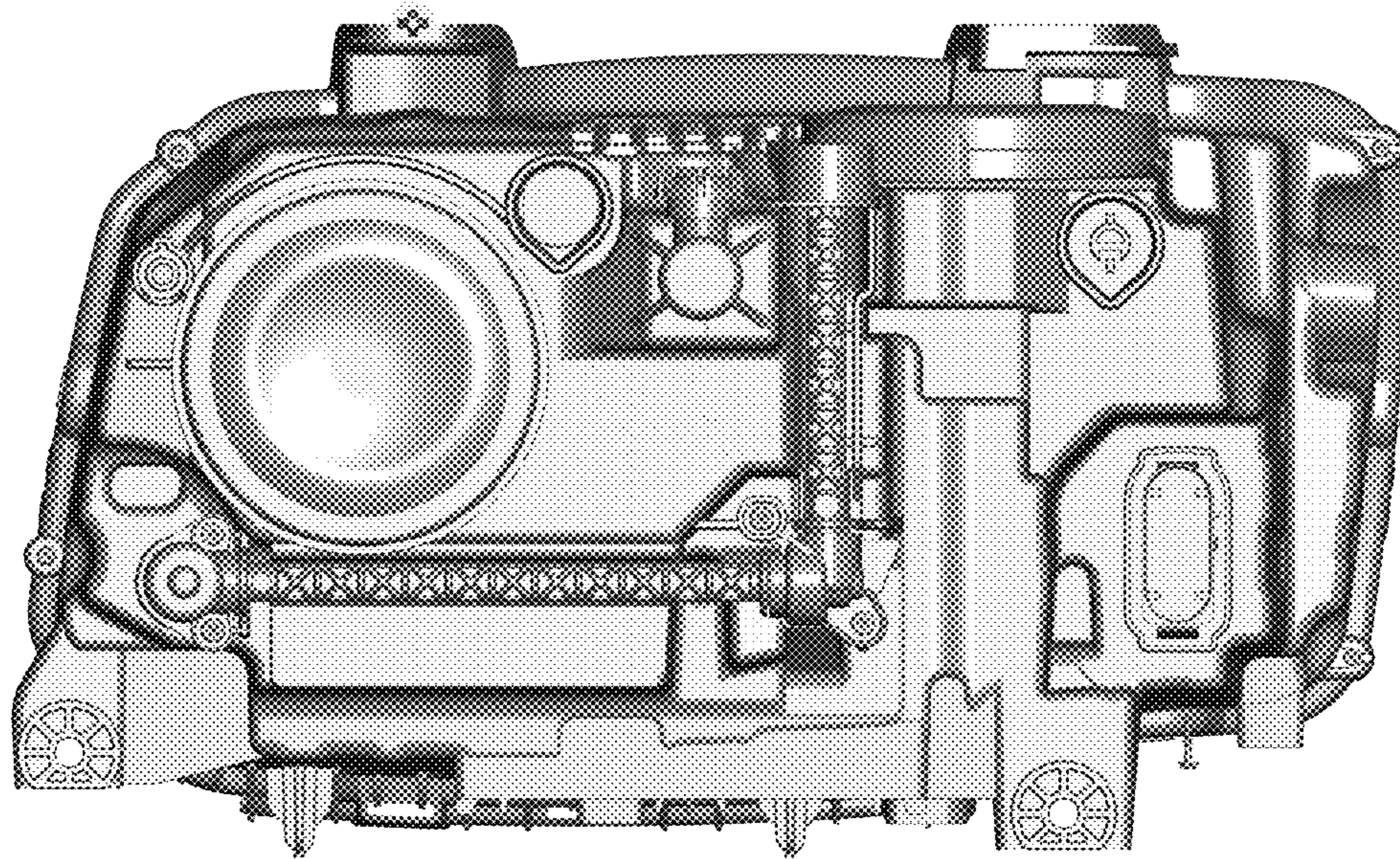


FIG. 4

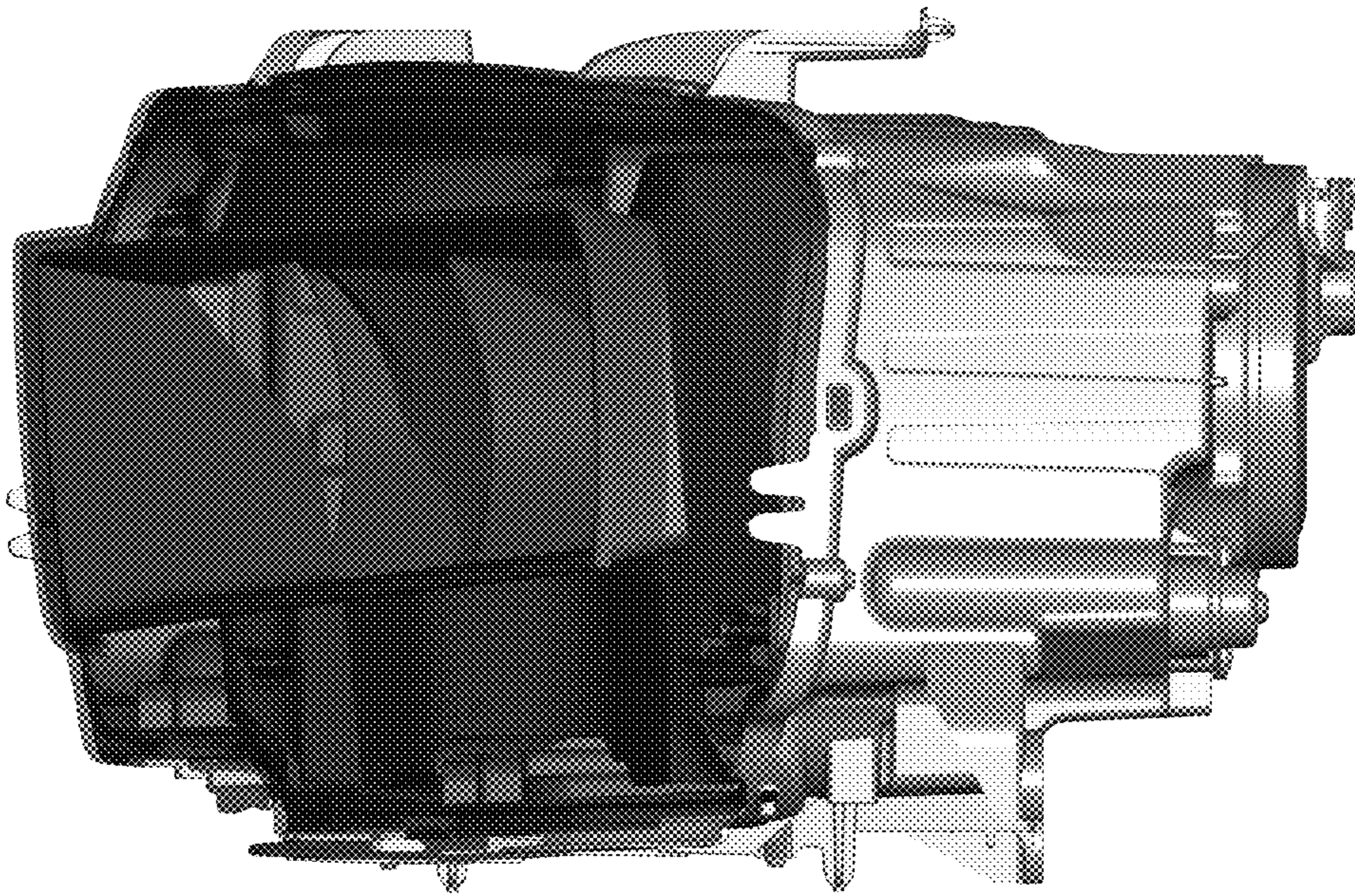


FIG. 5

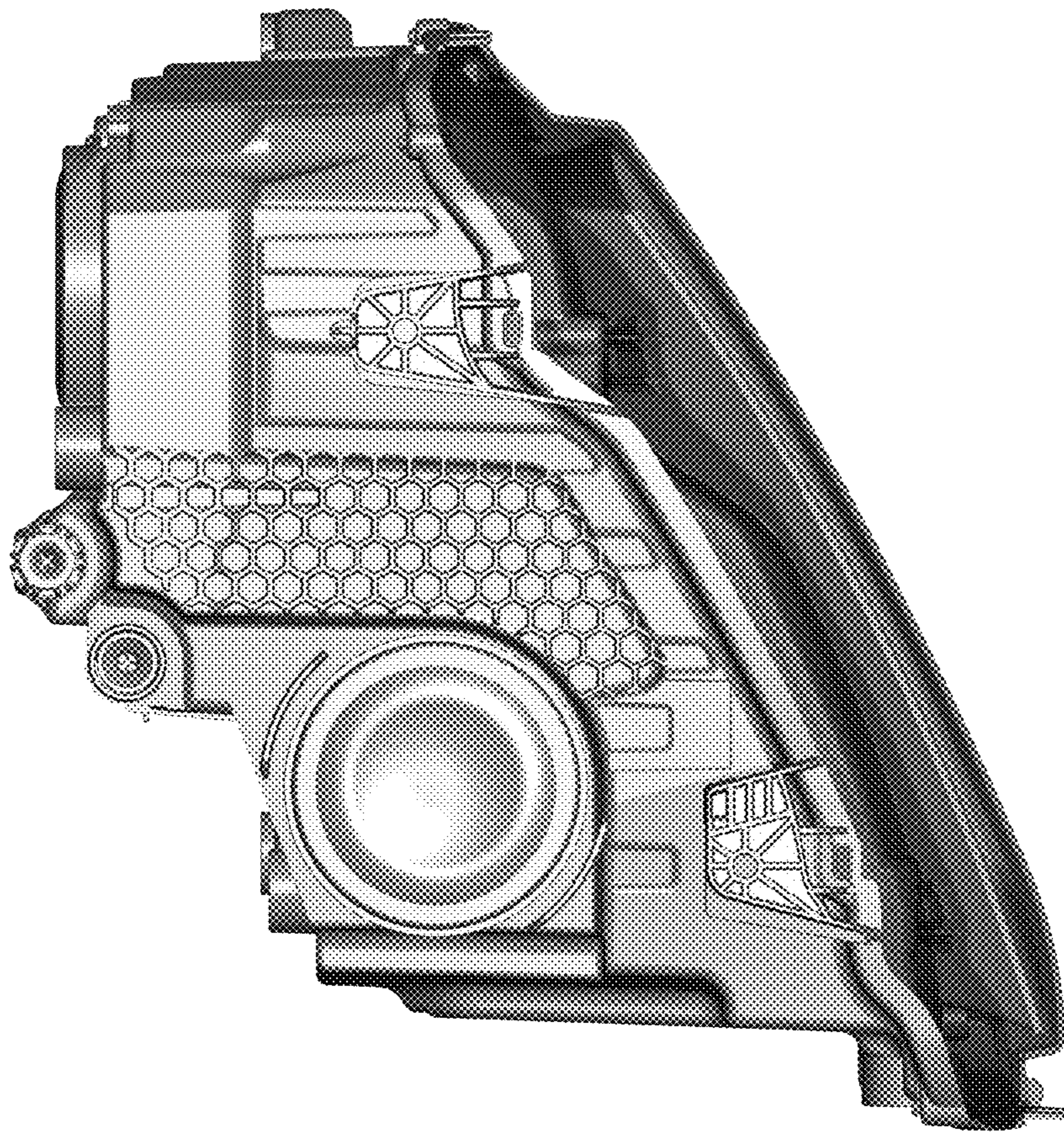


FIG. 6

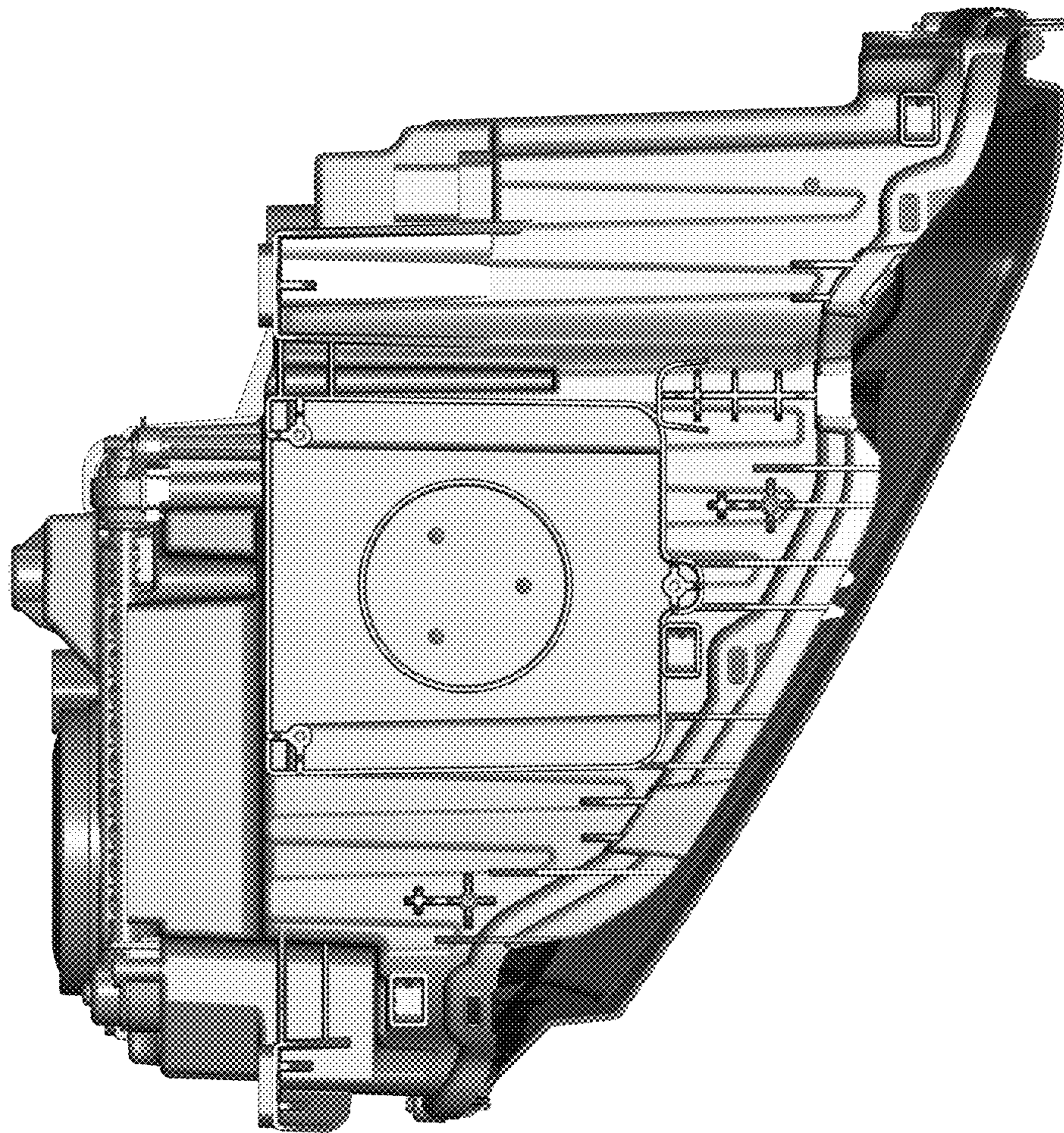


FIG. 7