



US00D850673S

(12) **United States Design Patent**
Hamasaki

(10) **Patent No.:** **US D850,673 S**

(45) **Date of Patent:** **** Jun. 4, 2019**

- (54) **BICYCLE LIGHT HOUSING**
- (71) Applicant: **SSB Design, Inc.**, Irvine, CA (US)
- (72) Inventor: **Noriaki Hamasaki**, Lake Forest, CA (US)
- (73) Assignee: **SSB DESIGN, INC.**, Irvine, CA (US)
- (**) Term: **15 Years**
- (21) Appl. No.: **29/621,237**
- (22) Filed: **Oct. 5, 2017**
- (51) **LOC (11) Cl.** **26-06**
- (52) **U.S. Cl.**
USPC **D26/28**
- (58) **Field of Classification Search**
USPC D12/86, 90-92, 114, 163, 169, 171-173,
D12/181, 190, 196, 197, 199, 400;
D26/28-36
CPC ... B62J 6/02; B62J 6/00; B60Q 3/0279; F21S
48/00; F21S 48/10; F21S 48/115; F21S
48/225; F21S 48/1233; F21S 48/1266;
F21S 48/1388; F21S 48/2268; F21V
21/04
See application file for complete search history.

D667,581 S *	9/2012	Lee	D26/28
D690,854 S *	10/2013	Janssen	D26/29
D746,501 S *	12/2015	Chen	D26/28
D747,014 S *	1/2016	Chen	D26/28
D751,739 S	3/2016	Hamasaki	
D752,252 S *	3/2016	Ruthling	D26/28
D753,333 S	4/2016	Hamasaki	
D756,027 S	5/2016	Hamasaki	
D760,931 S *	7/2016	Davies	D26/28
D779,690 S *	2/2017	Nagano	D26/28
D800,361 S *	10/2017	Robertson	D26/28
D821,623 S *	6/2018	Grawemeyer	D26/60

* cited by examiner

Primary Examiner — Philip S Hyder
Assistant Examiner — Cary M Robinson

(57) **CLAIM**

I claim an ornamental design for the bicycle light housing, as shown and described.

DESCRIPTION

FIG. 1 is an upper front perspective view of the bicycle light housing;
 FIG. 2 is a lower bottom perspective view of the bicycle light housing;
 FIG. 3 is a rear lower side perspective view of the bicycle light housing;
 FIG. 4 is a front elevational view of the bicycle light housing;
 FIG. 5 is a rear elevational view of the bicycle light housing;
 FIG. 6 is right side view of the bicycle light housing;
 FIG. 7 is a left side view of the bicycle light housing;
 FIG. 8 is a top plan view of the bicycle light housing of FIG. 1; and,
 FIG. 9 is a bottom plan view of the bicycle light housing of FIG. 1.
 The broken-line disclosures illustrate portions of the bicycle light housing in which the design is embodied that form no part of the claimed design.

1 Claim, 8 Drawing Sheets

(56) **References Cited**

U.S. PATENT DOCUMENTS

D390,678 S *	2/1998	Matthes	D26/37
D463,052 S *	9/2002	Shiu	D26/38
D475,195 S *	6/2003	Christianson	D3/209
D523,573 S *	6/2006	Lee	D26/28
D535,411 S *	1/2007	Lee	D26/28
D535,766 S *	1/2007	Lee	D26/28
D540,966 S *	4/2007	Ueda	D26/28
D560,834 S *	1/2008	Nagano	D26/28
D584,840 S *	1/2009	Okuda	D26/28
D608,485 S *	1/2010	Liao	D26/60
D611,173 S *	3/2010	McKechnie	D26/28
D611,174 S *	3/2010	McKechnie	D26/28

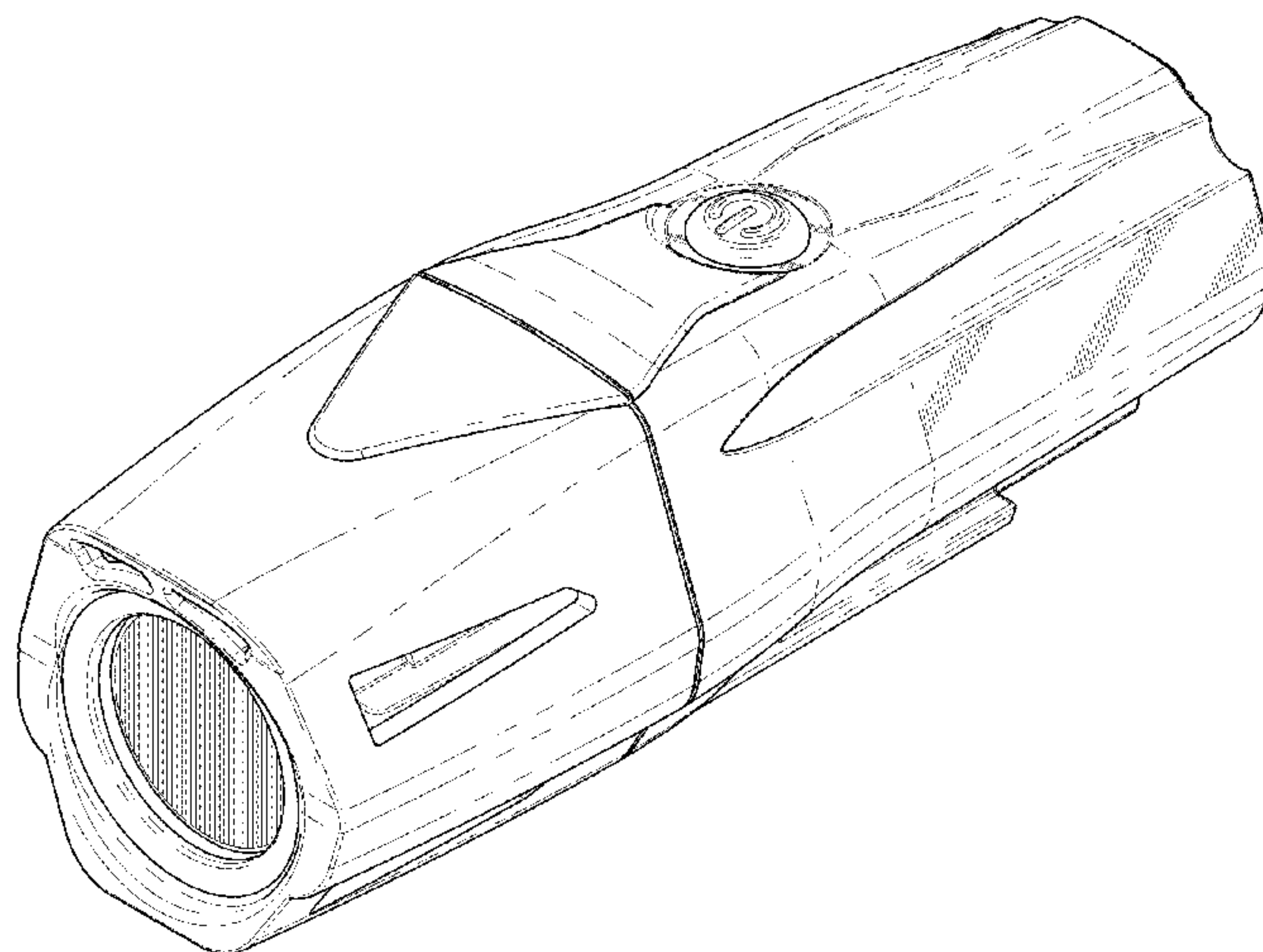


FIG. 1

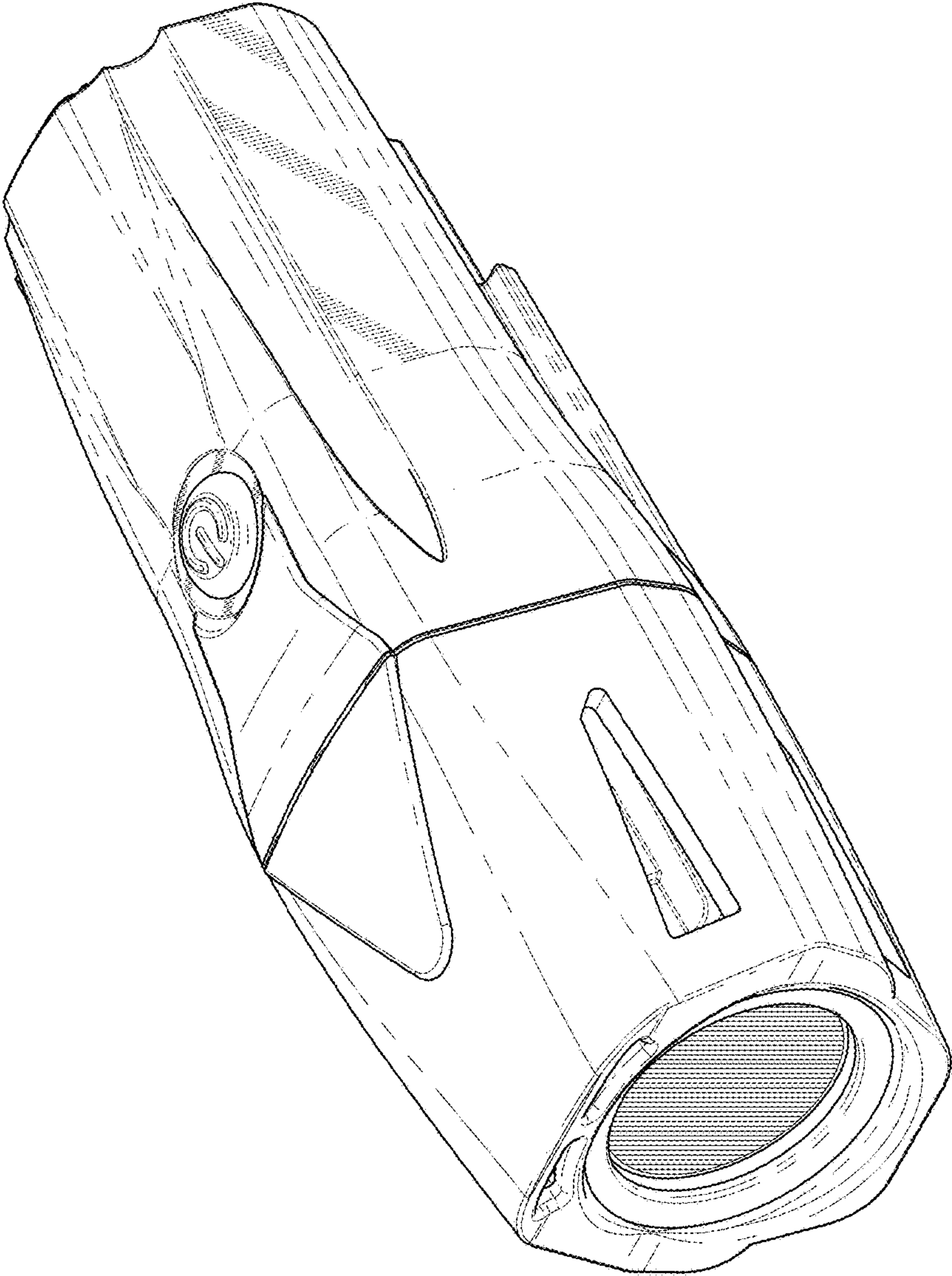


FIG. 2

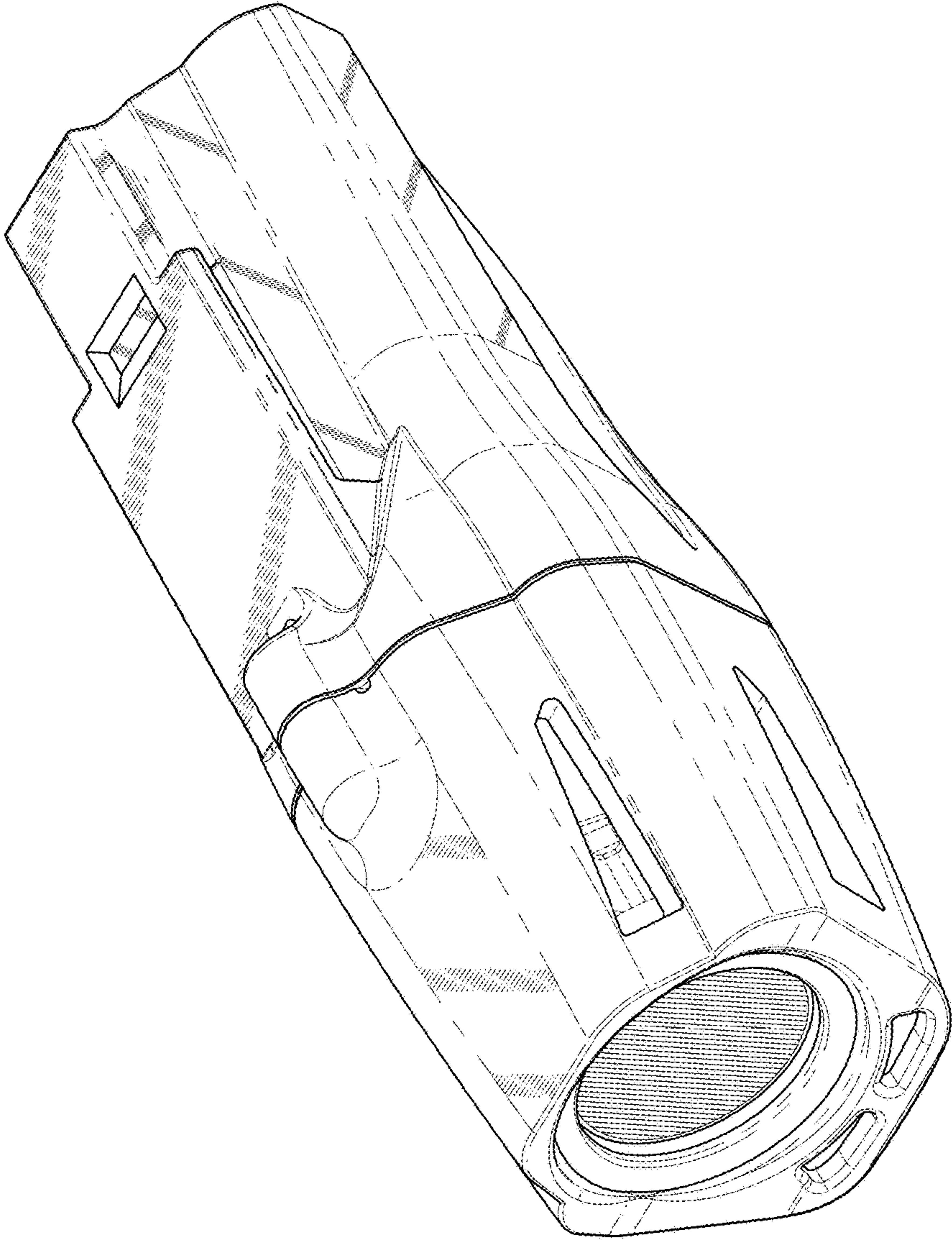
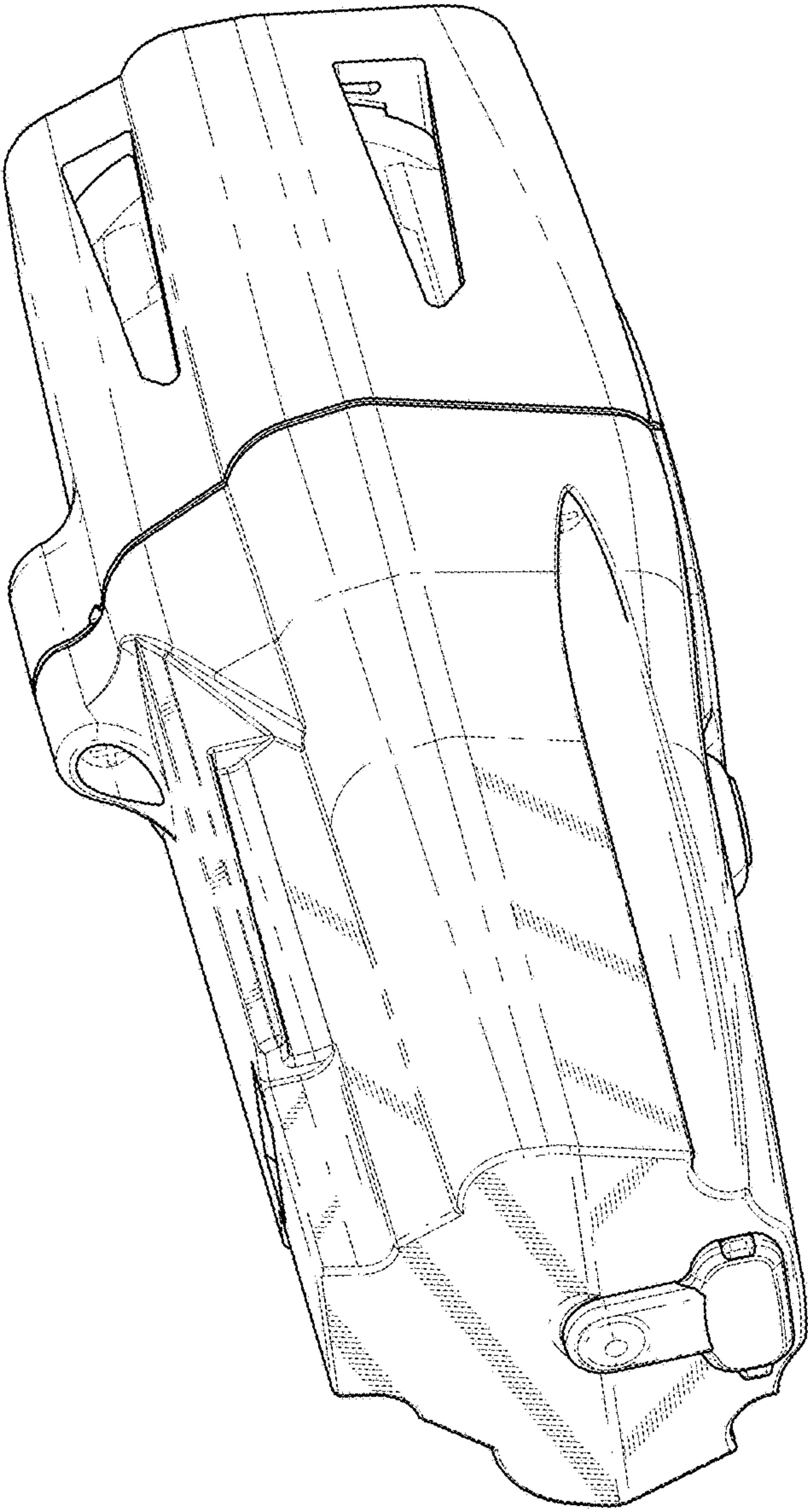


FIG. 3



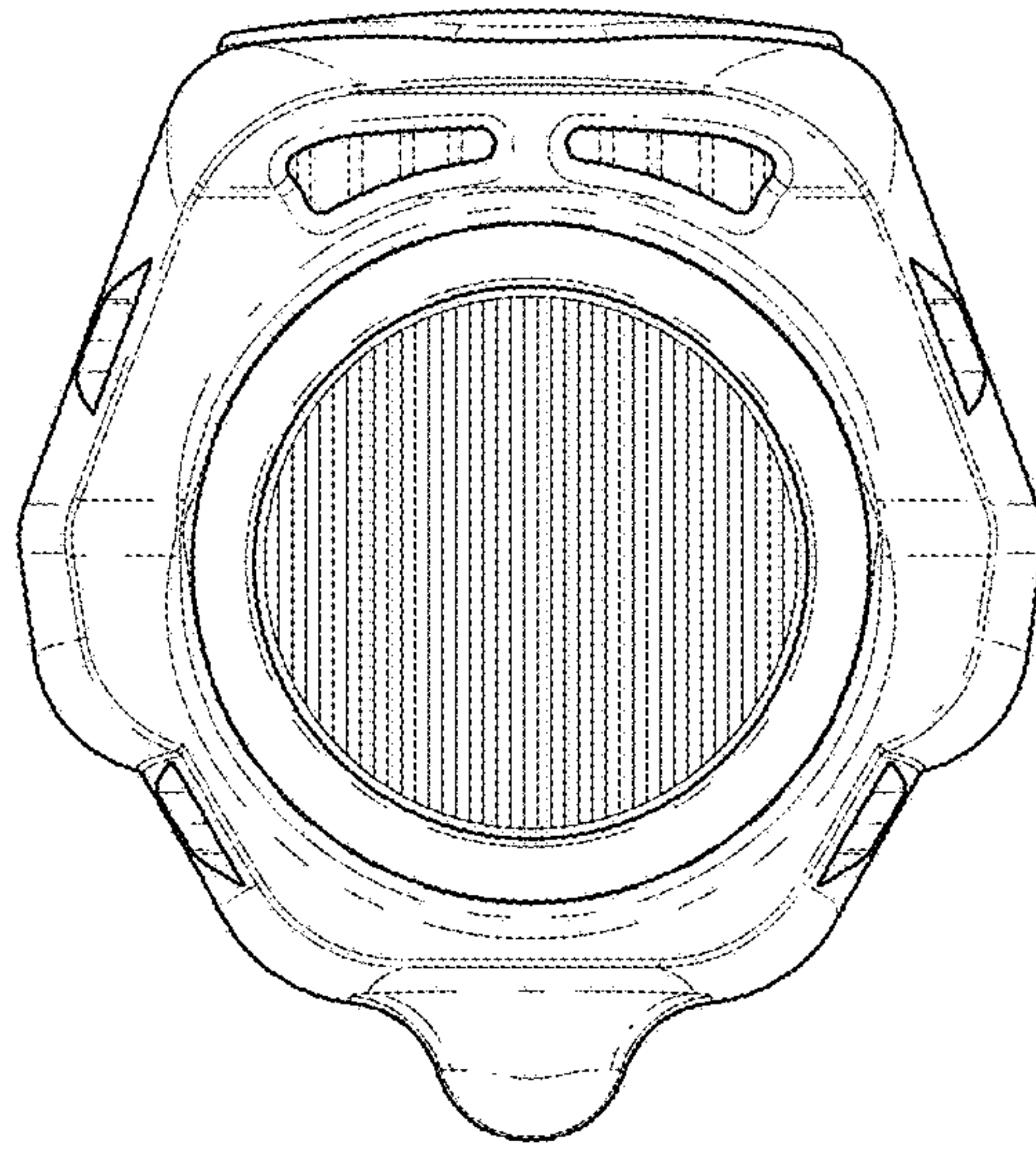


FIG. 4

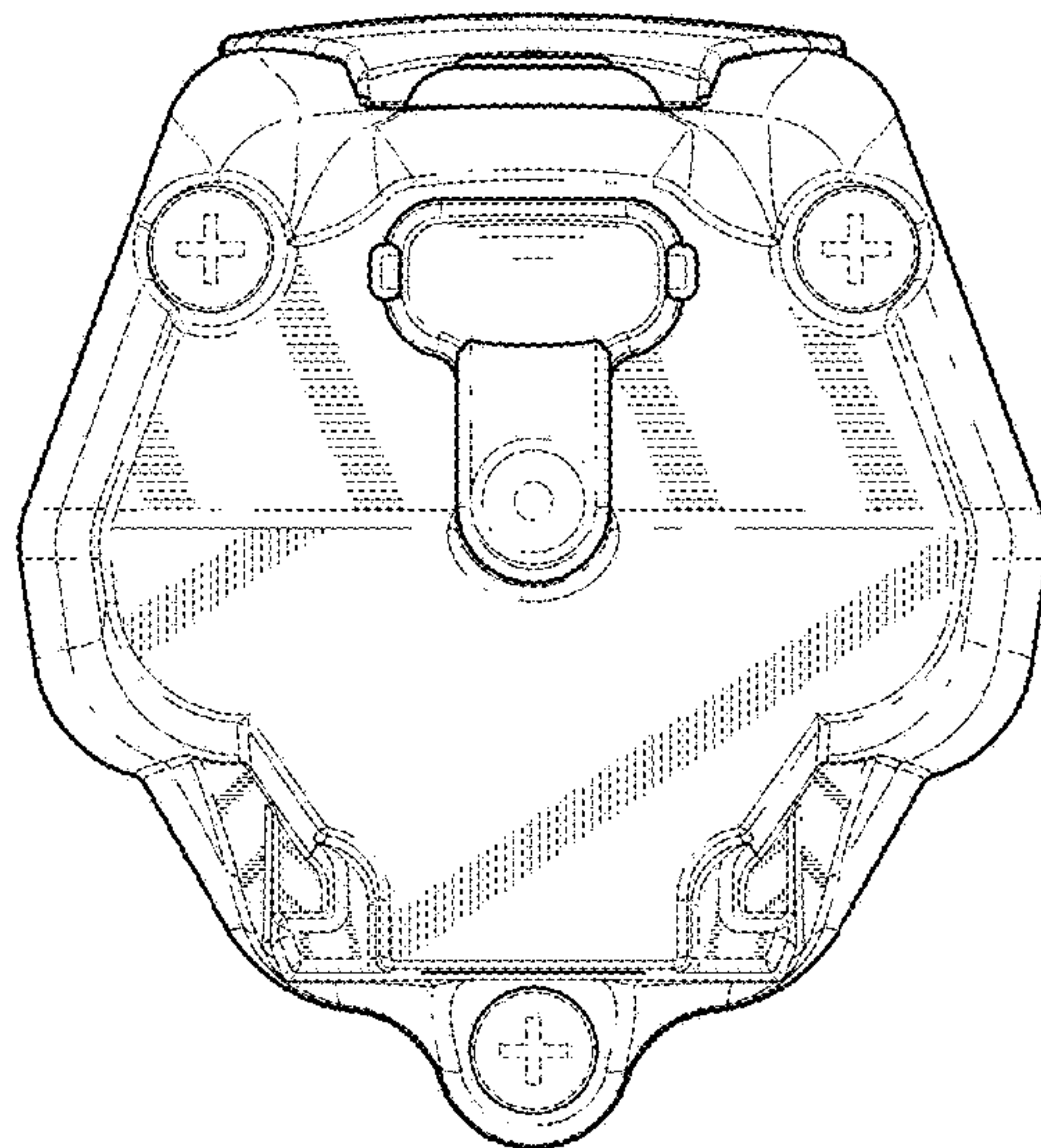


FIG. 5

FIG. 6

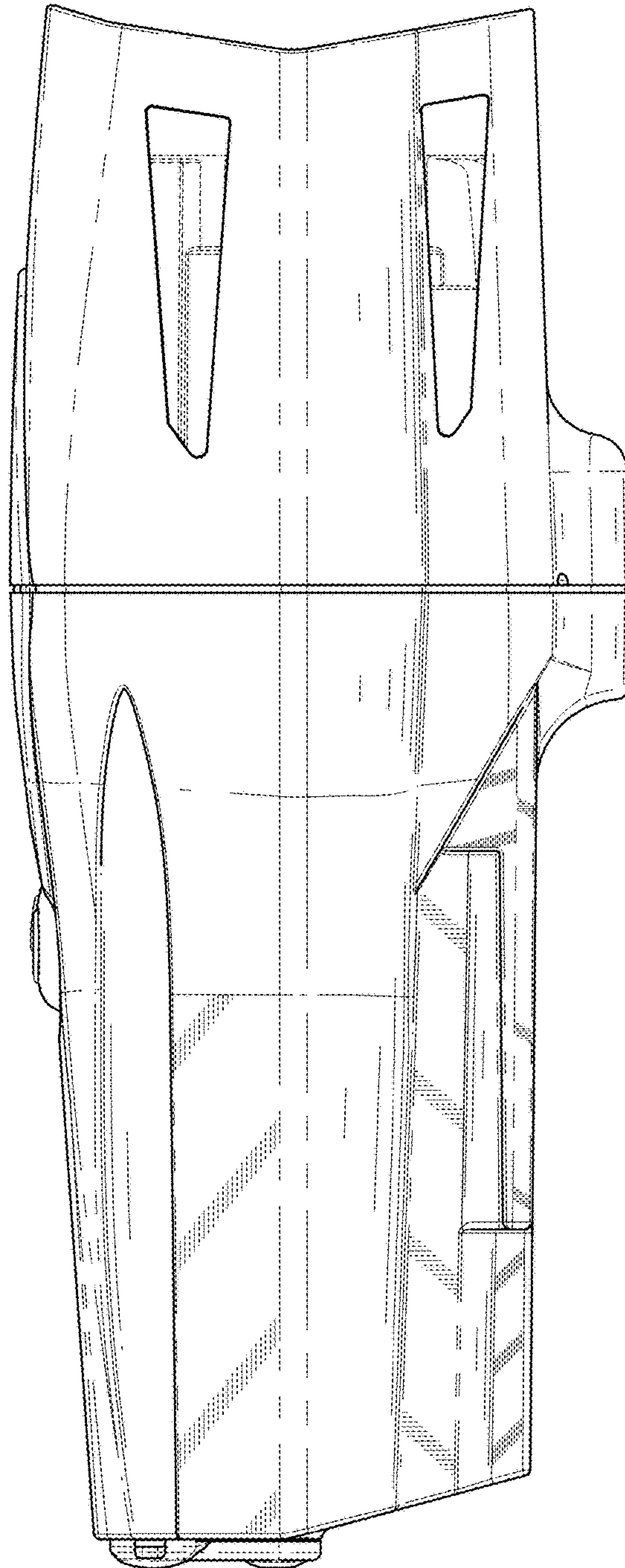
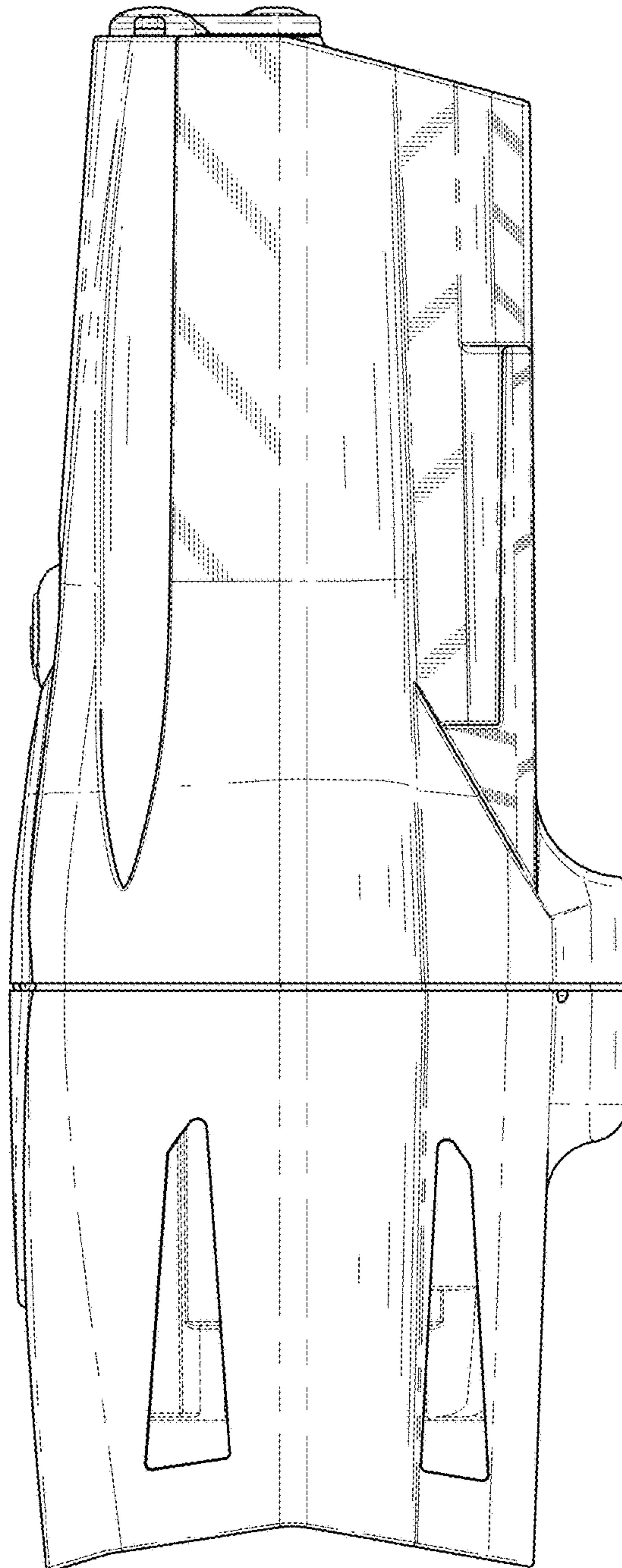


FIG. 7



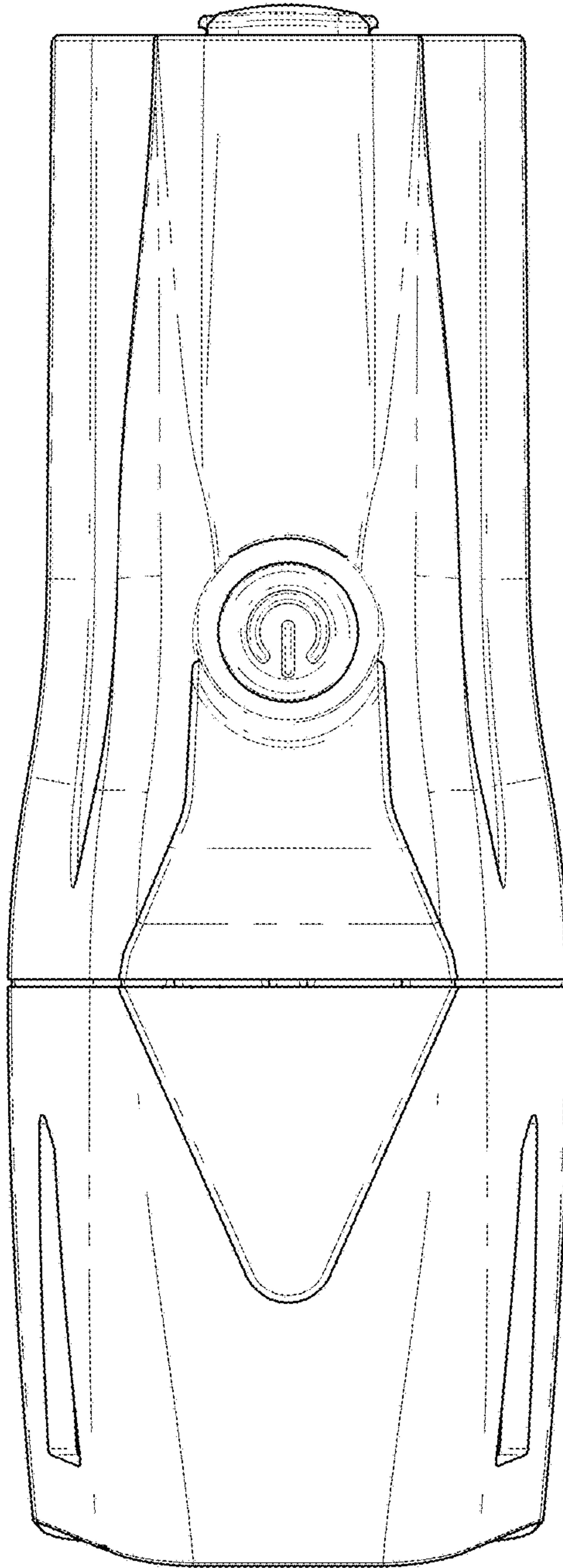


FIG. 8

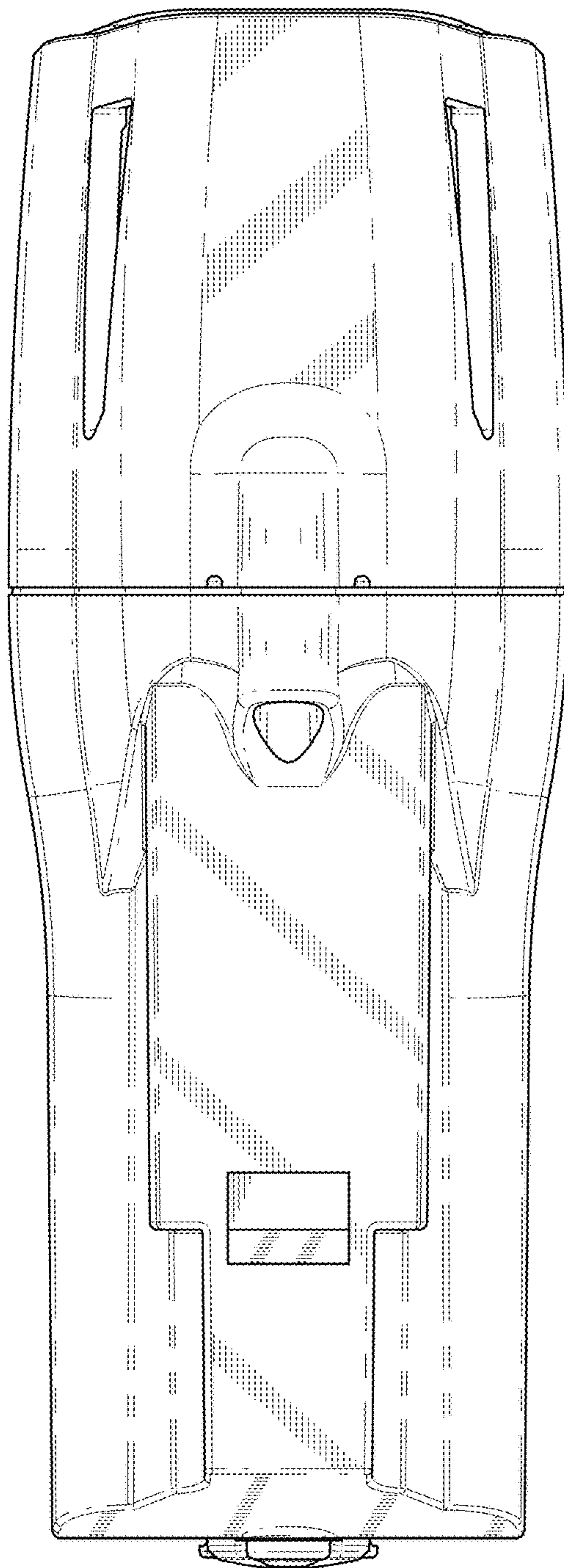


FIG. 9