



US00D850670S

(12) **United States Design Patent**
Lai

(10) **Patent No.:** **US D850,670 S**

(45) **Date of Patent:** **** Jun. 4, 2019**

- (54) **AUTOMOBILE FLOODLIGHT**
- (71) Applicant: **Ching-Tsung Lai**, Tainan (TW)
- (72) Inventor: **Ching-Tsung Lai**, Tainan (TW)
- (**) Term: **15 Years**
- (21) Appl. No.: **29/594,292**
- (22) Filed: **Feb. 17, 2017**
- (51) **LOC (11) Cl.** **26-07**
- (52) **U.S. Cl.**
USPC **D26/28**
- (58) **Field of Classification Search**
USPC D26/28, 29, 30, 31, 32, 33, 34, 35, 36;
362/459-468, 475-478, 485-487
CPC F21S 48/00; F21S 48/10; F21S 48/115;
F21S 48/225; F21S 48/1233; F21S
48/1266; F21S 48/1388; F21S 48/2268;
F21V 21/04
See application file for complete search history.

(56) **References Cited**

U.S. PATENT DOCUMENTS

- D662,634 S * 6/2012 Koizumi D26/28
- D747,518 S * 1/2016 Lai D26/28

- D747,822 S * 1/2016 Tsai D26/28
- D759,275 S * 6/2016 Hwang D26/28
- D770,648 S * 11/2016 Lai D26/28
- D787,718 S * 5/2017 Lai D26/28
- D787,722 S * 5/2017 Lai D26/28
- D796,715 S * 9/2017 Lin D26/28
- D797,332 S * 9/2017 Lin D26/28
- D800,931 S * 10/2017 Lai D26/28
- D804,692 S * 12/2017 Lai D26/28
- D809,682 S * 2/2018 Lin D26/28
- D831,246 S * 10/2018 Yang D26/28

* cited by examiner

Primary Examiner — Angela J Lee

(74) *Attorney, Agent, or Firm* — Alexander Chen, Esq.

(57) **CLAIM**

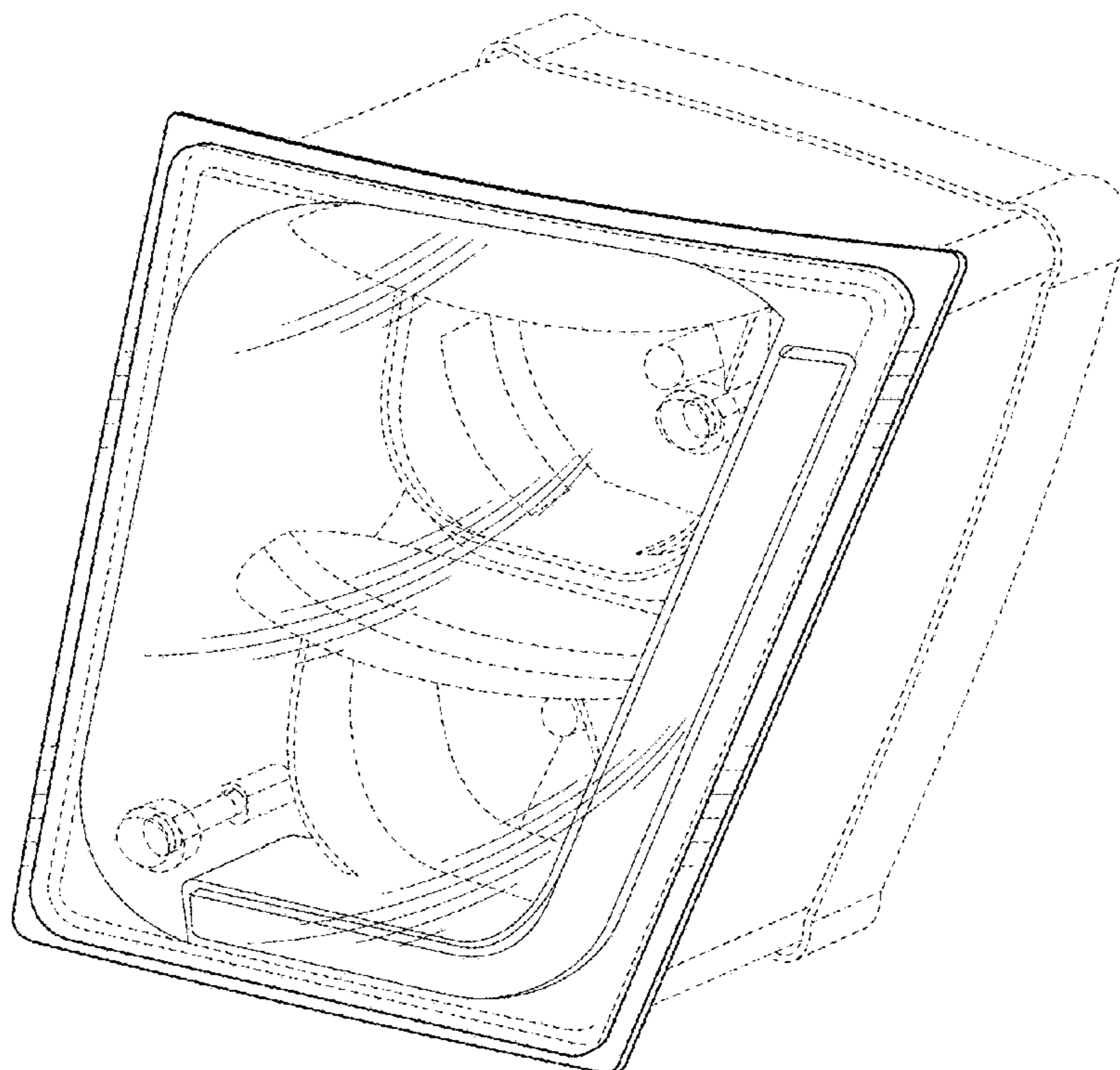
The ornamental design for an automobile floodlight, as shown and described.

DESCRIPTION

FIG. 1 is a perspective view of an automobile floodlight; FIG. 2 is a front view thereof; FIG. 3 is a left side view thereof; and, FIG. 4 is a side view thereof.

The broken lines are included to show environmental structure and form no part of the claimed design. The drawings and descriptions represent the left side embodiment. The claim is also for a mirror image right side embodiment.

1 Claim, 4 Drawing Sheets



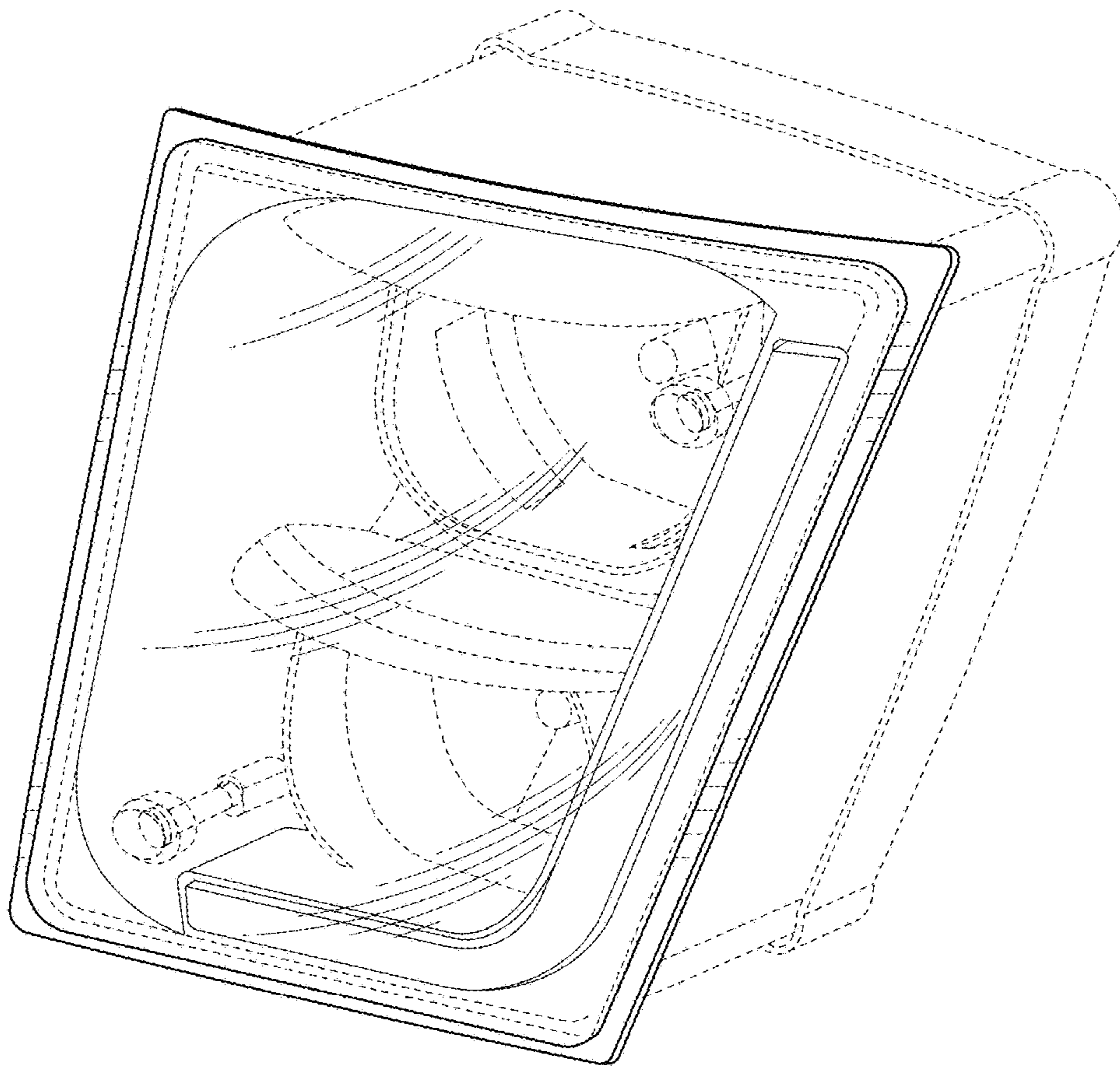


FIG. 1

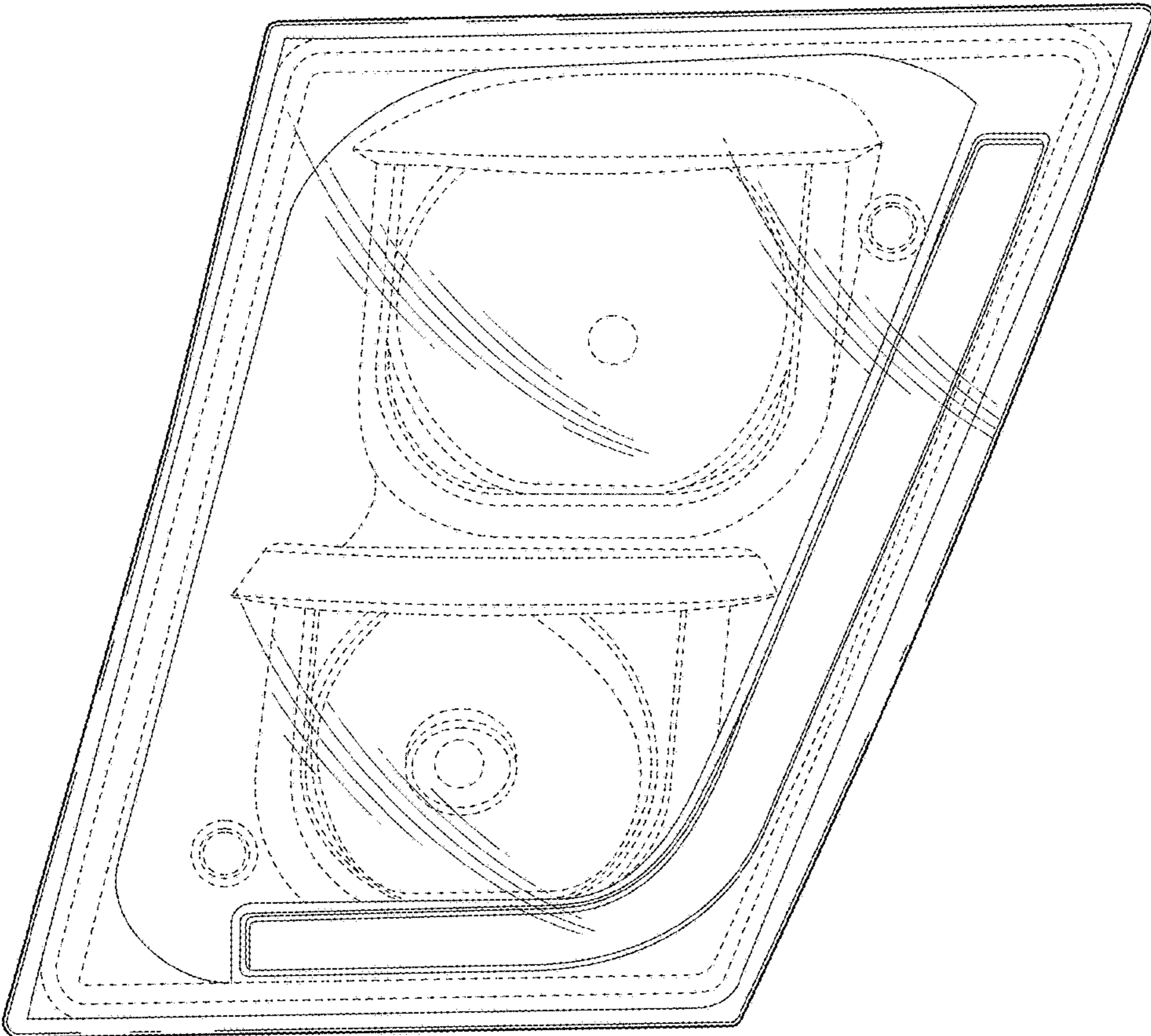


FIG. 2

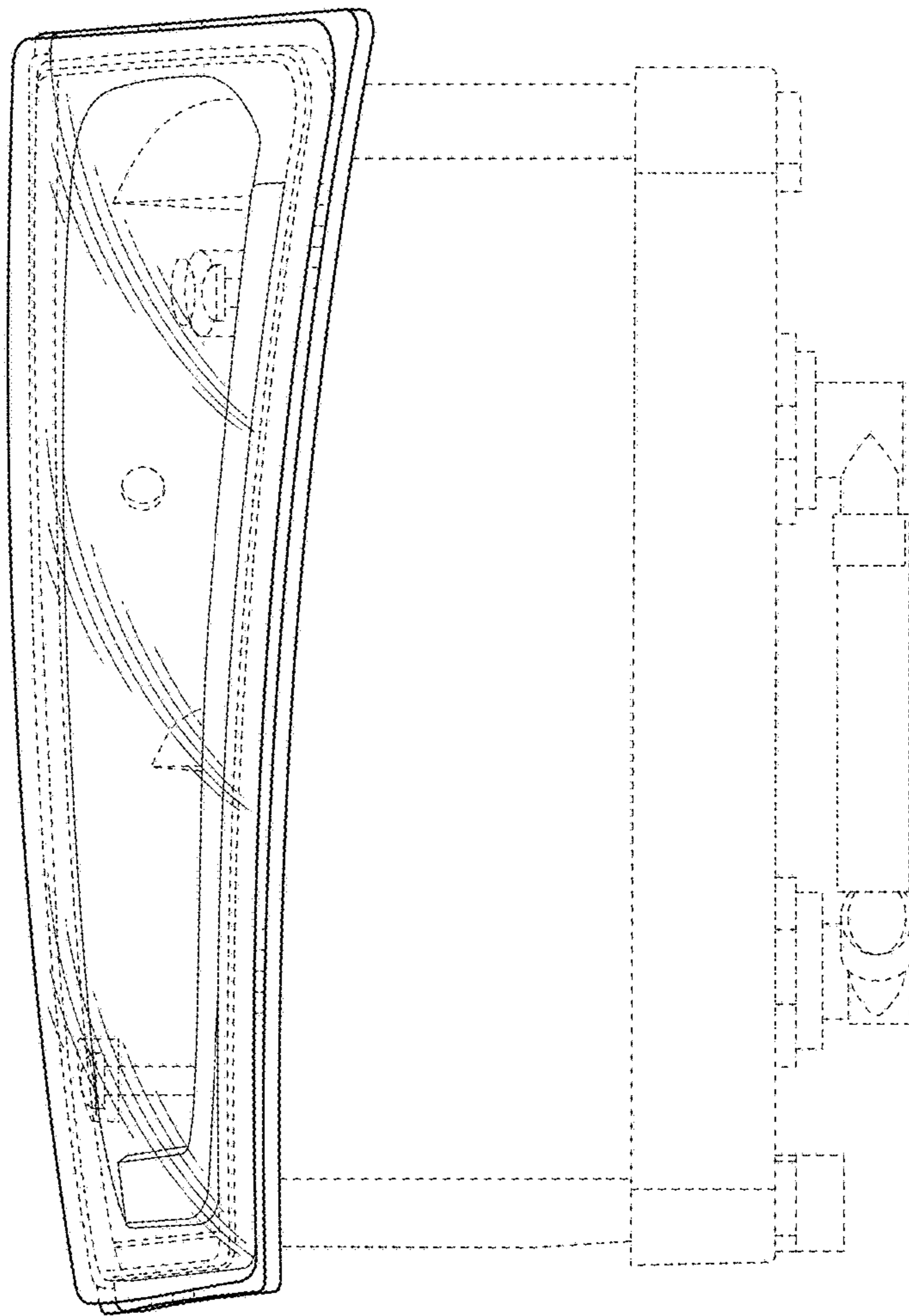


FIG. 3

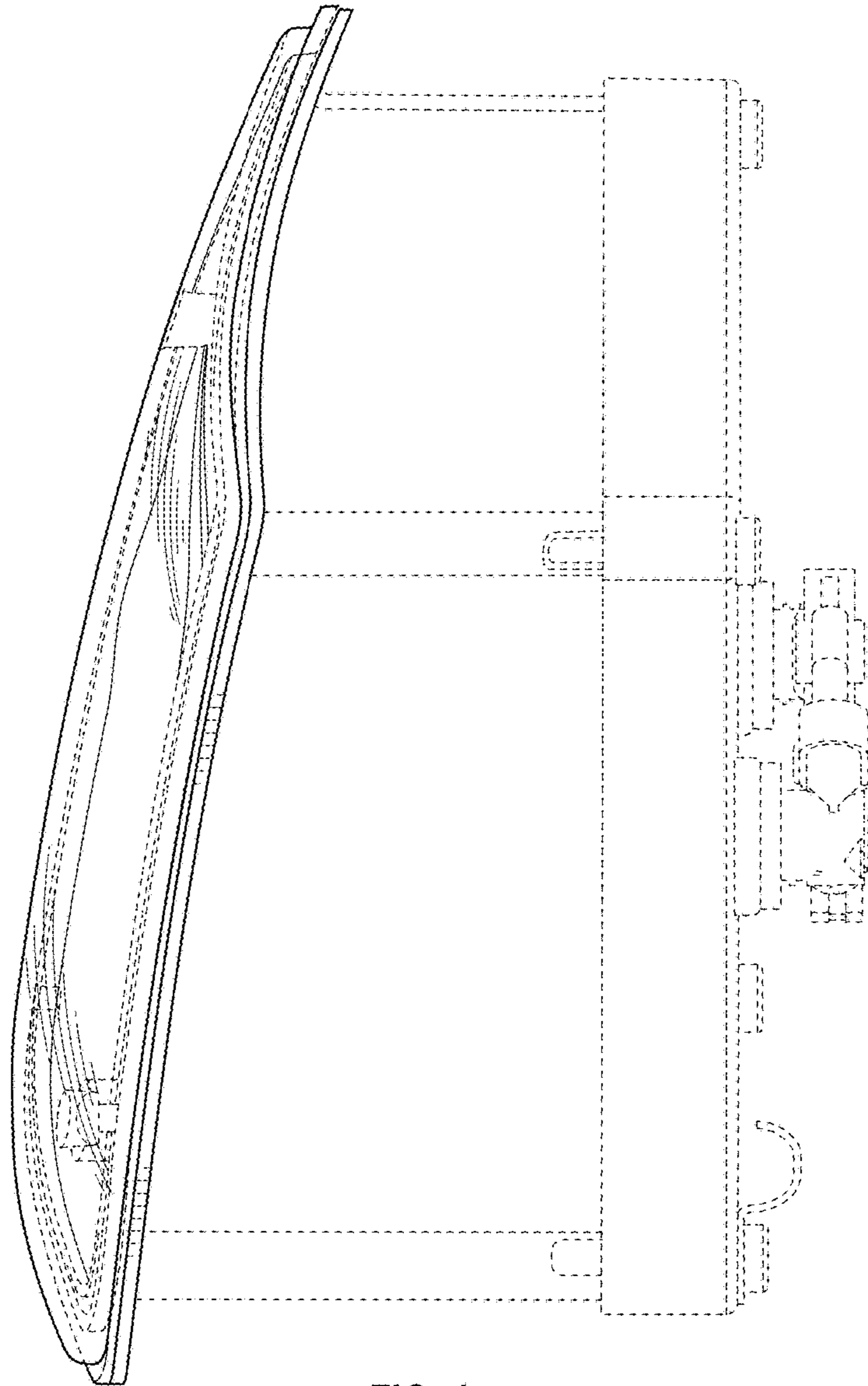


FIG. 4