



US00D850667S

(12) **United States Design Patent**
Pan

(10) **Patent No.:** **US D850,667 S**

(45) **Date of Patent:** **** Jun. 4, 2019**

(54) **LED LAMP**

(71) Applicant: **SHENZHEN SNC OPTO ELECTRONIC CO., LTD**, Shenzhen (CN)

(72) Inventor: **Nianhua Pan**, Shenzhen (CN)

(73) Assignee: **SHENZHEN SNC OPTO ELECTRONIC CO., LTD**, Shenzhen (CN)

(**) Term: **15 Years**

(21) Appl. No.: **29/633,404**

(22) Filed: **Jan. 13, 2018**

(51) **LOC (11) Cl.** **26-04**

(52) **U.S. Cl.**
USPC **D26/2**

(58) **Field of Classification Search**
USPC D26/1-4
CPC H01R 5/00; H01R 13/46; H01R 13/514;
H01R 31/048; H01R 31/02; H01J 5/00;
H01J 5/16; H01J 1/02; H01J 15/00; H01J
5/48; H01J 5/50; H01J 19/54; F21V 5/00;
F21V 13/00; F21V 29/004

See application file for complete search history.

(56) **References Cited**

U.S. PATENT DOCUMENTS

D553,266 S * 10/2007 Maxik D26/2
D566,300 S * 4/2008 Lo D26/2

D584,838 S * 1/2009 To D26/2
D646,802 S * 10/2011 Guohui D26/2
D695,426 S * 12/2013 Tu D26/2

* cited by examiner

Primary Examiner — Marcus A Jackson

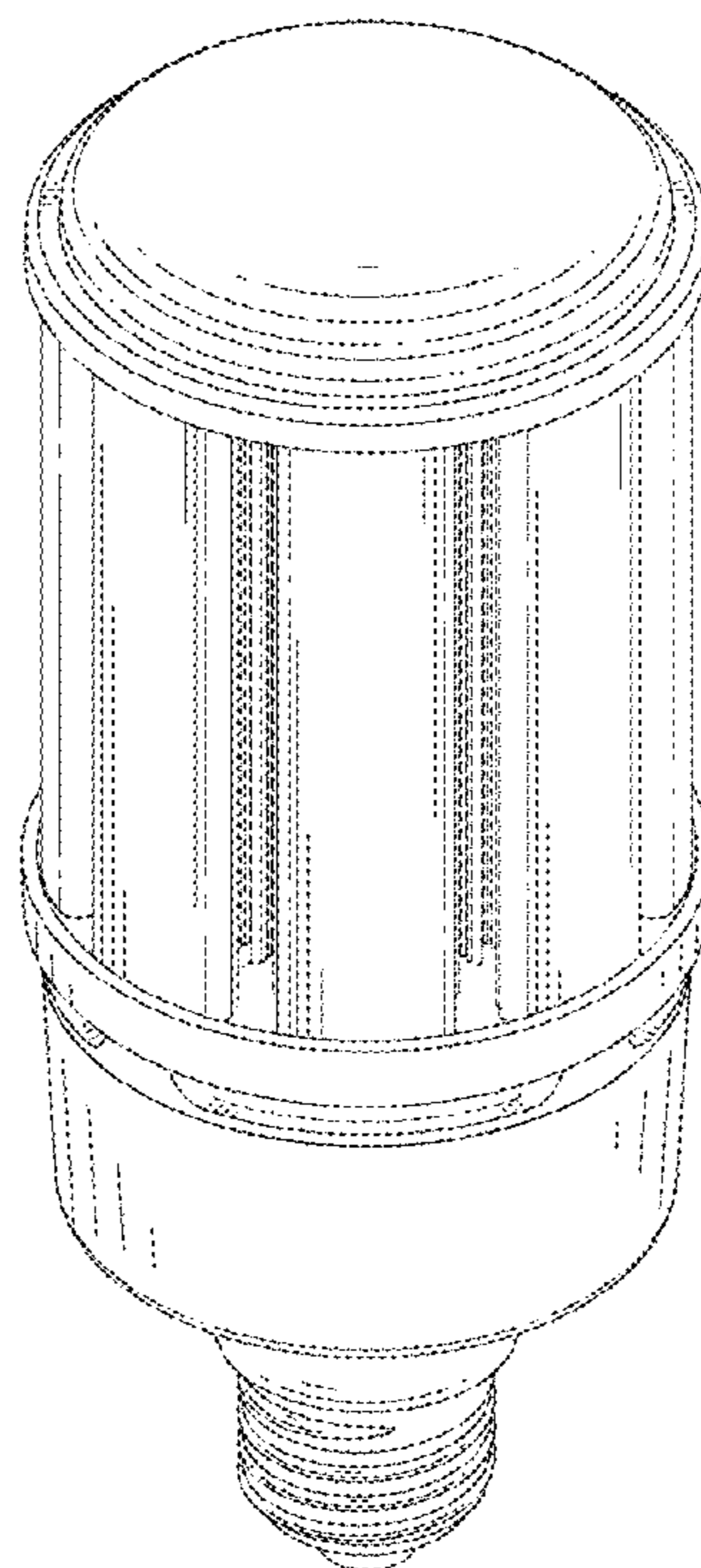
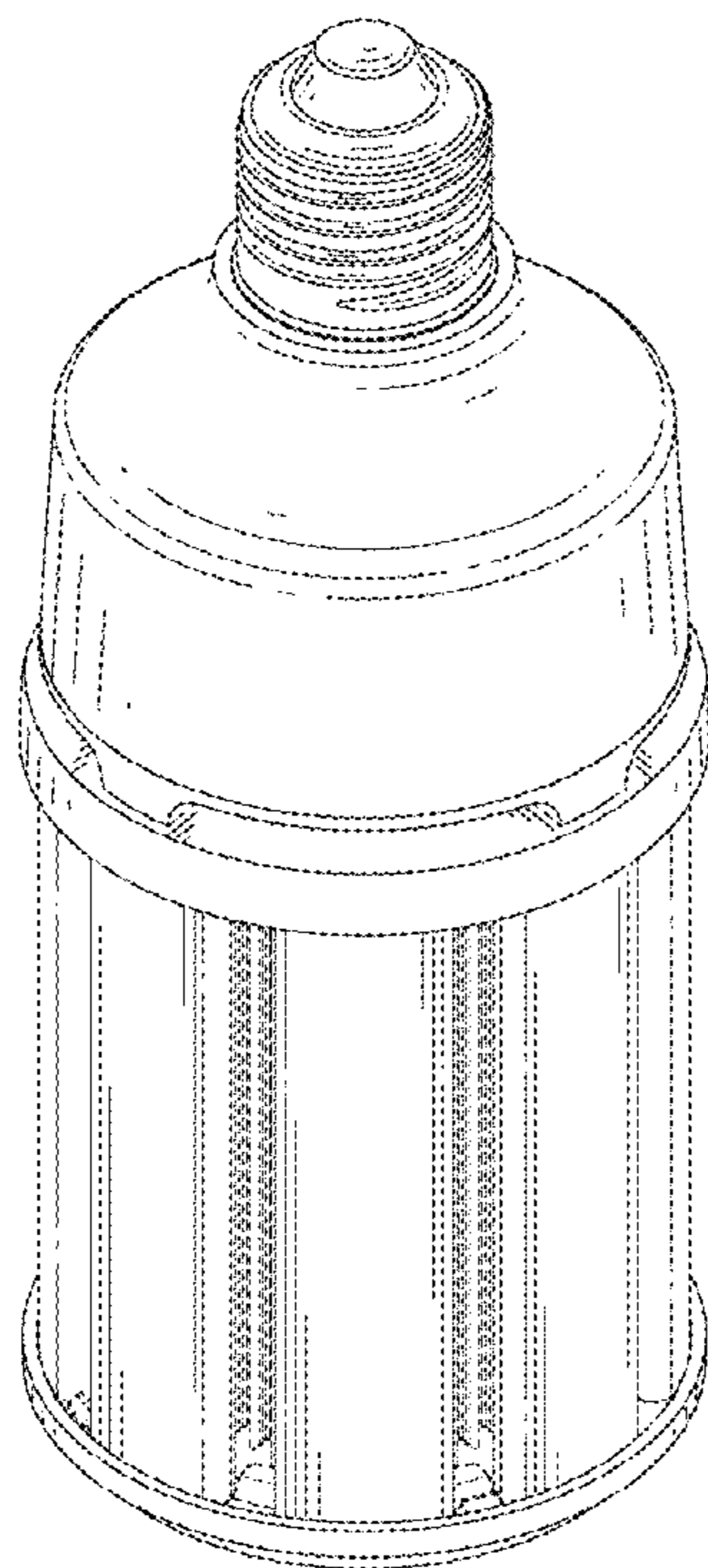
(57) **CLAIM**

The ornamental design for a LED lamp, as shown and described.

DESCRIPTION

FIG. 1 is a perspective view of the LED lamp in accordance with a first embodiment showing my new design; FIG. 2 is similar to FIG. 1, viewed from another aspect; FIG. 3 is a front elevational view thereof; FIG. 4 is a rear elevational view thereof; FIG. 5 is a left side elevational view thereof; FIG. 6 is a right side elevational view thereof; FIG. 7 is a top plan view thereof; FIG. 8 is a bottom plan view thereof; FIG. 9 is a perspective view of the LED lamp in accordance with a second embodiment; FIG. 10 is similar to FIG. 9, viewed from another aspect; FIG. 11 is a front elevational view thereof; FIG. 12 is a rear elevational view thereof; FIG. 13 is a left side elevational view thereof; FIG. 14 is a right side elevational view thereof; FIG. 15 is a top plan view thereof; and, FIG. 16 is a bottom plan view thereof. The broken lines are for the purposes of illustrating portions of the LED lamp and form no part of the claimed design.

1 Claim, 16 Drawing Sheets



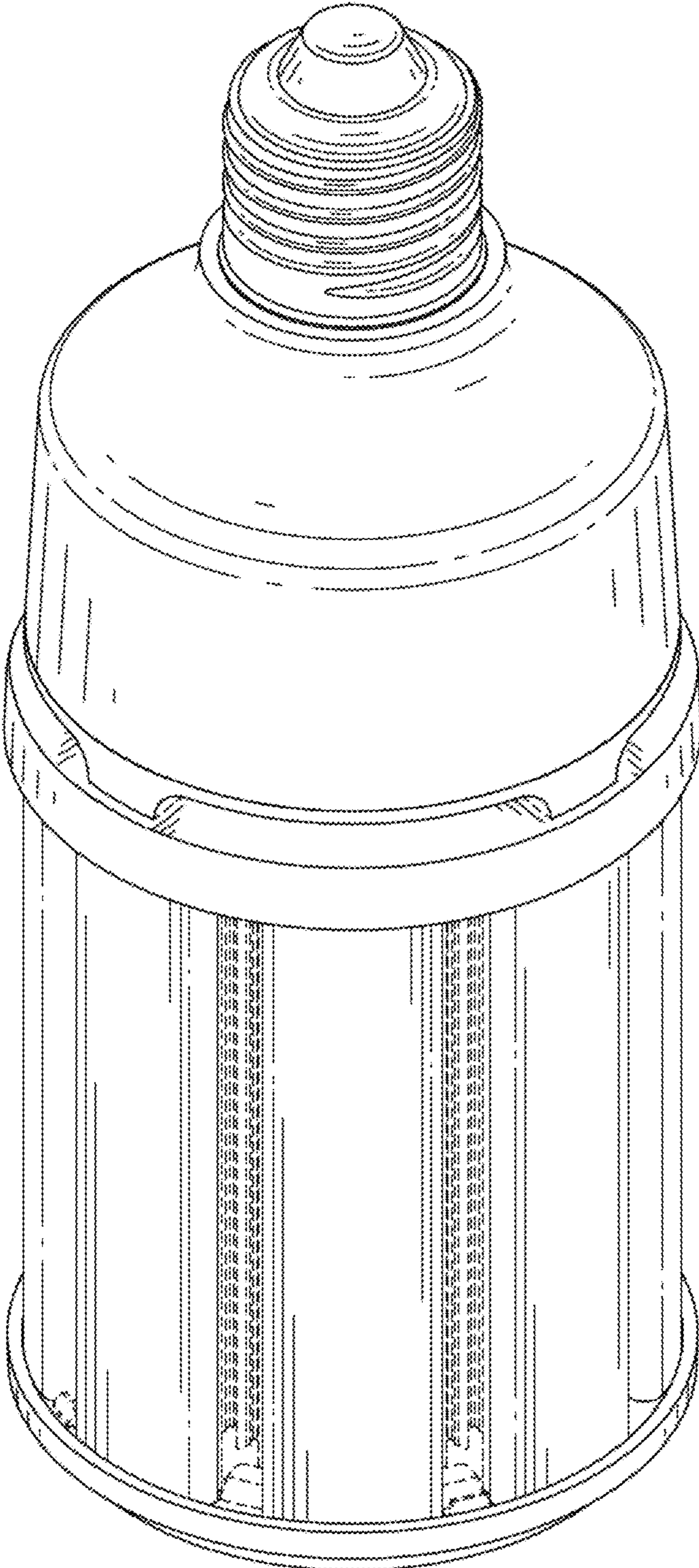


FIG. 1

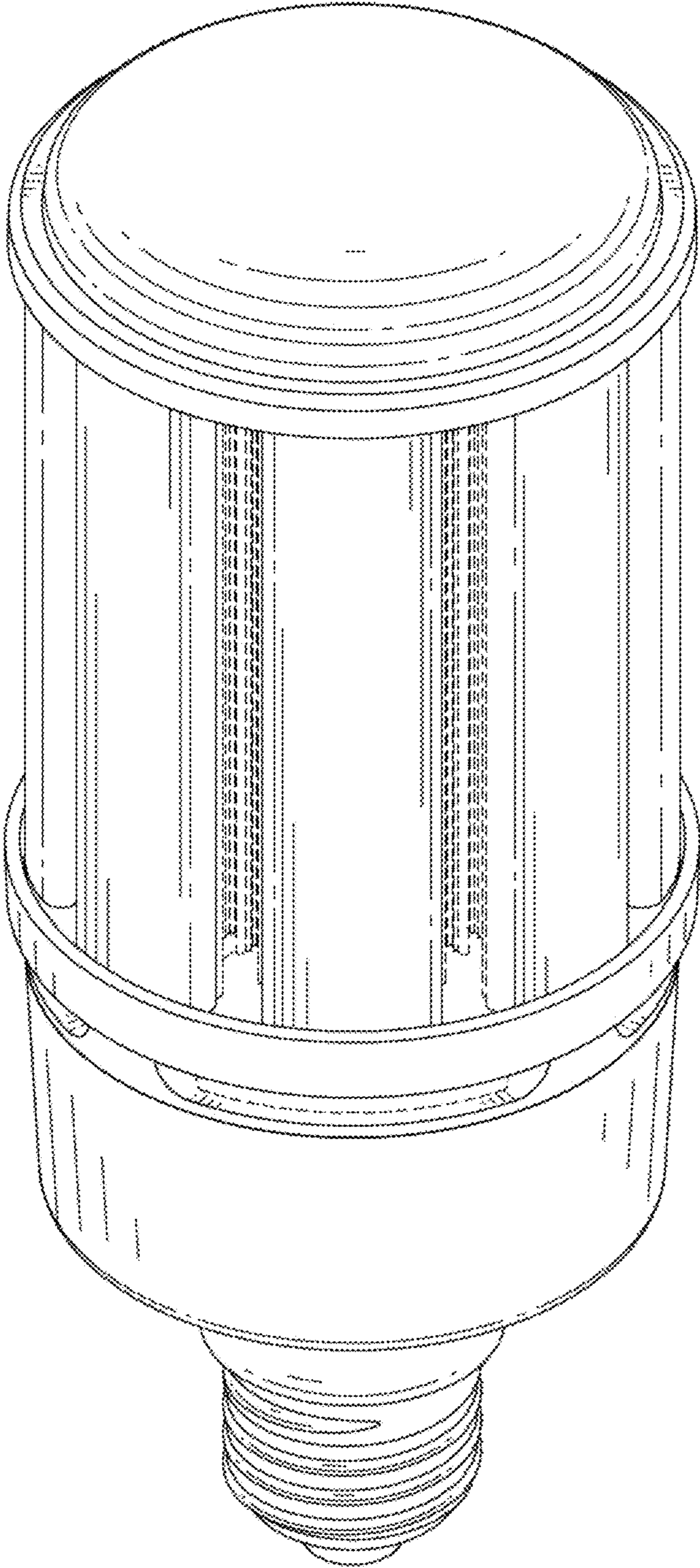


FIG. 2

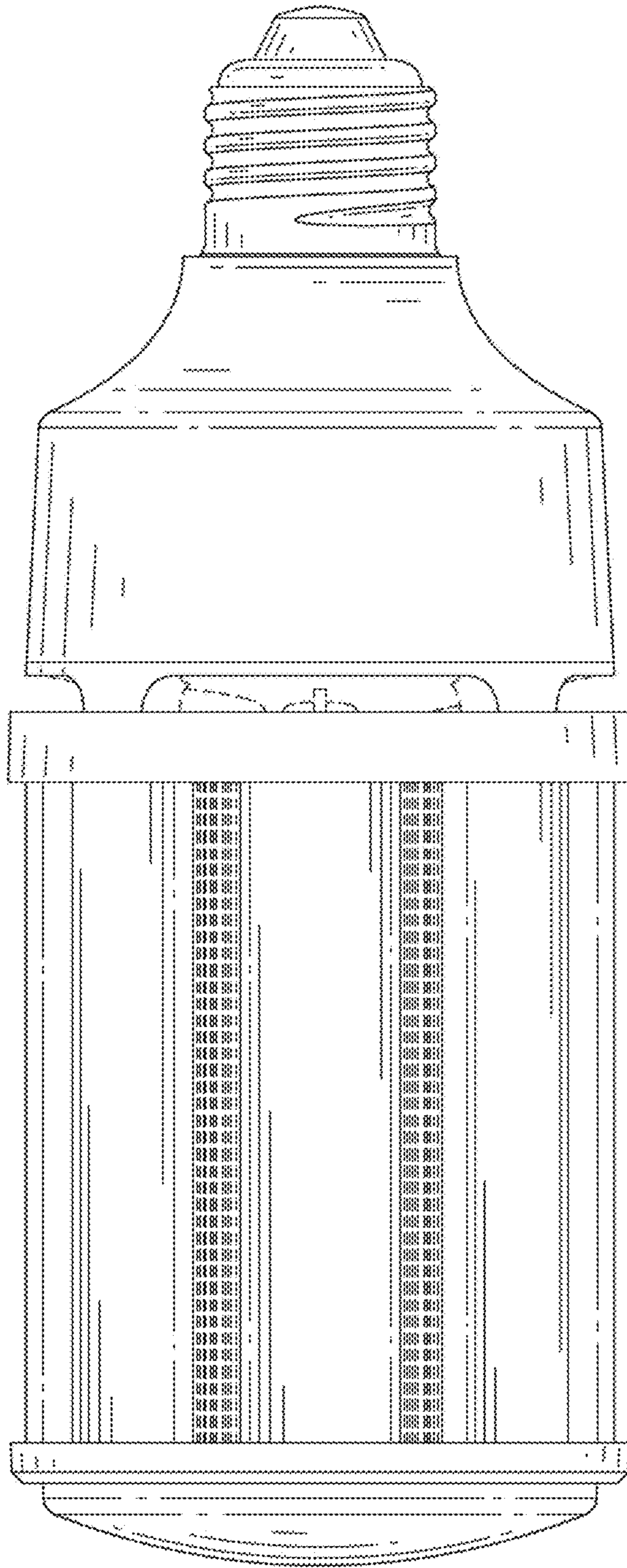


FIG. 3

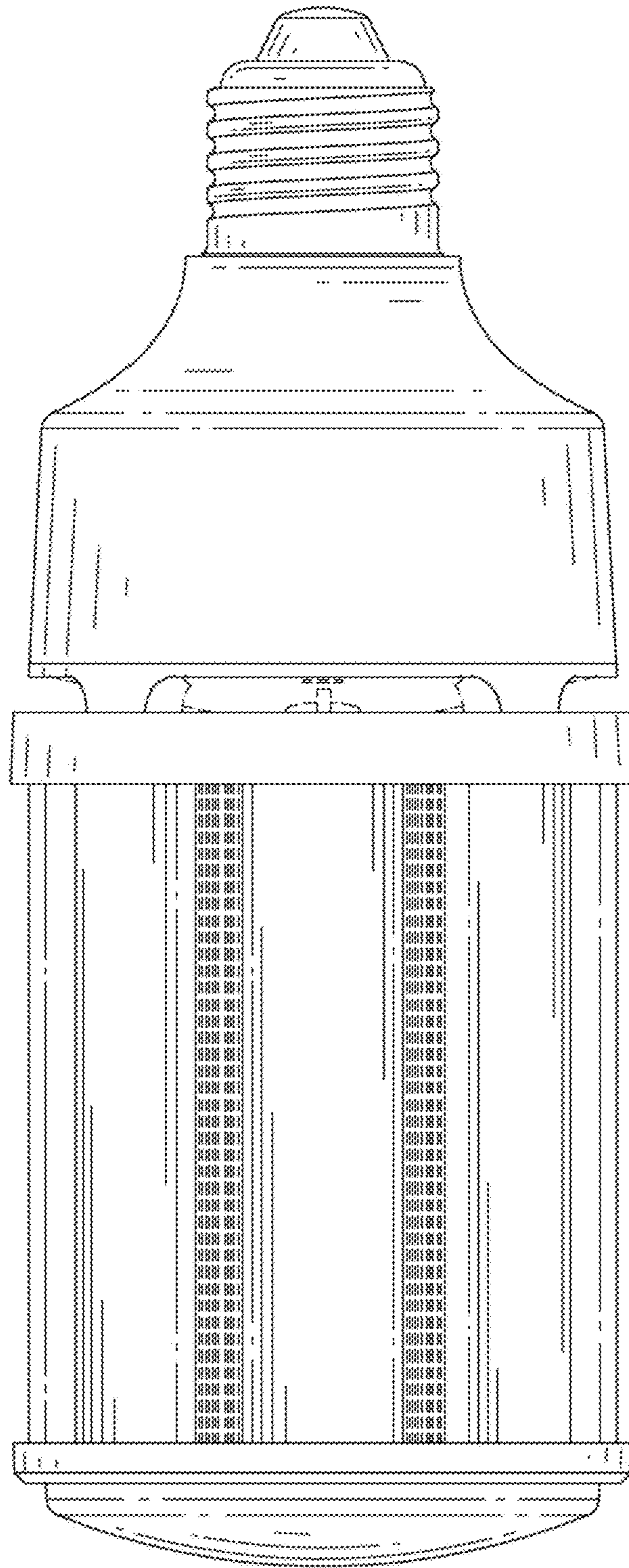


FIG. 4

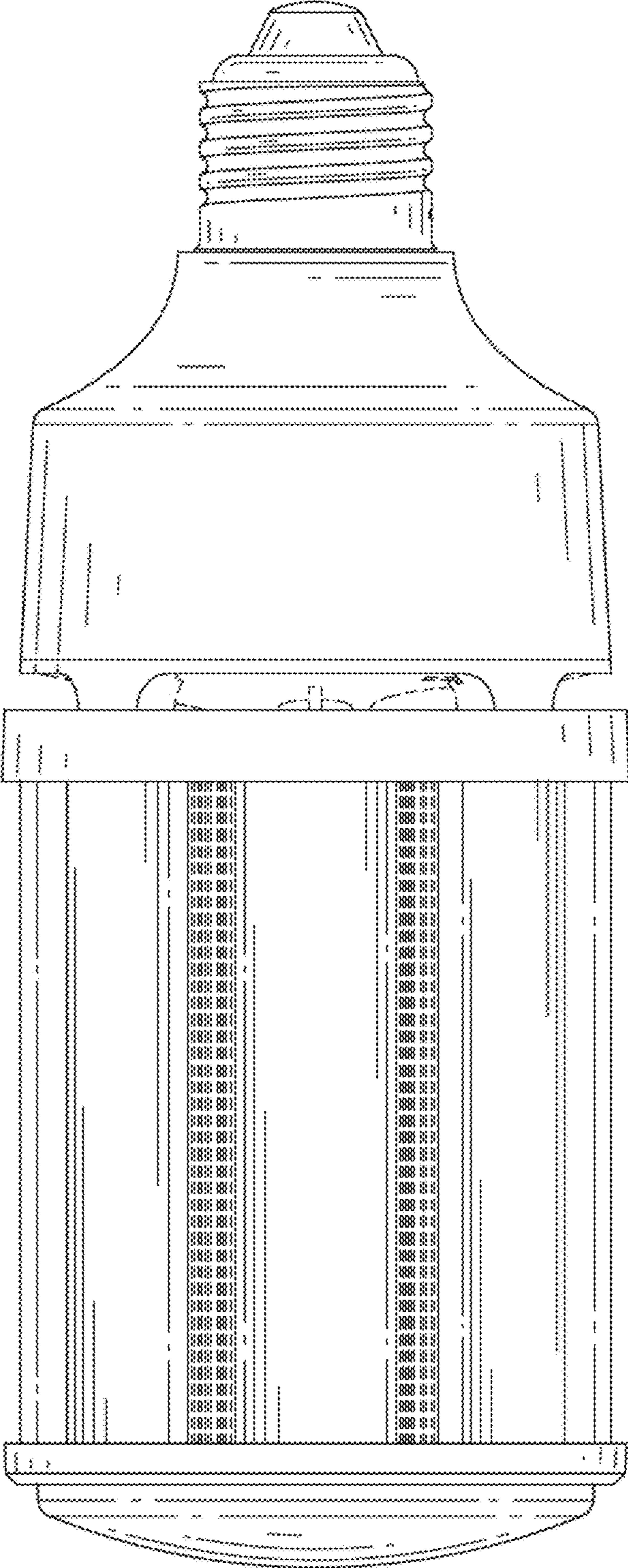


FIG. 5

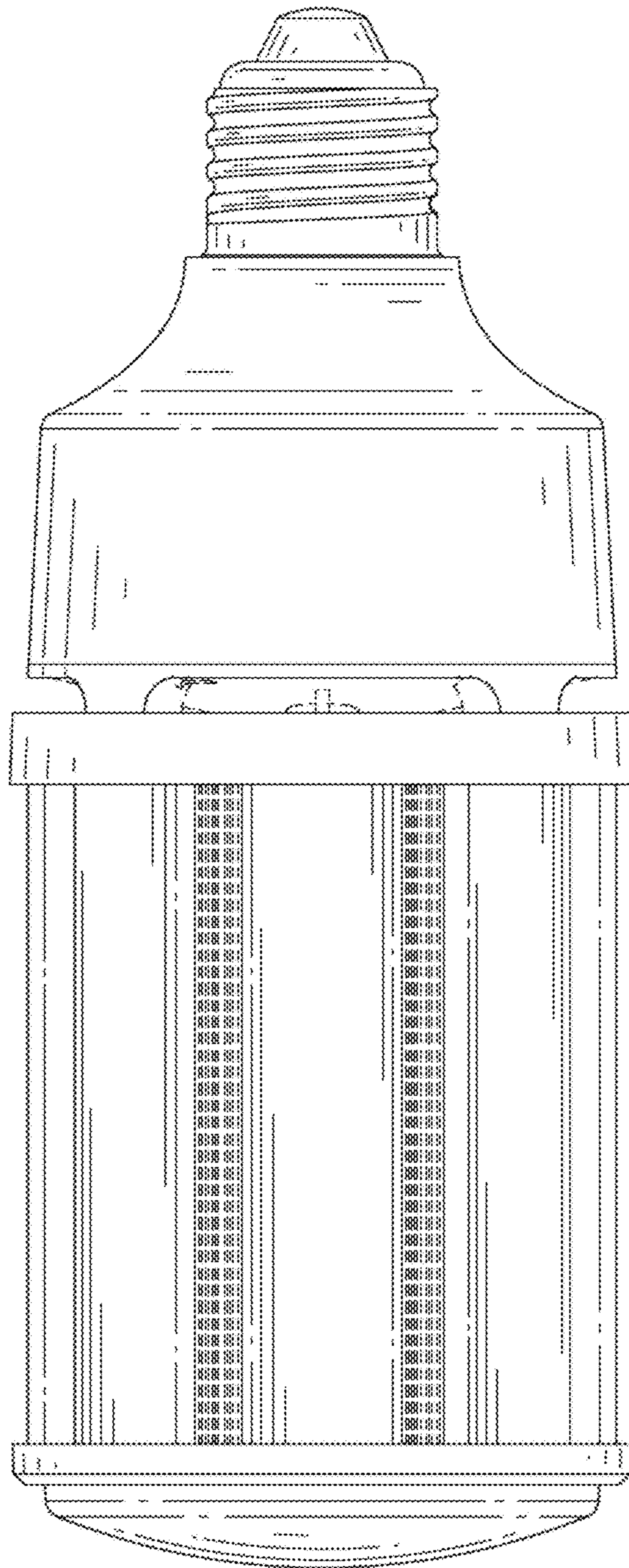


FIG. 6

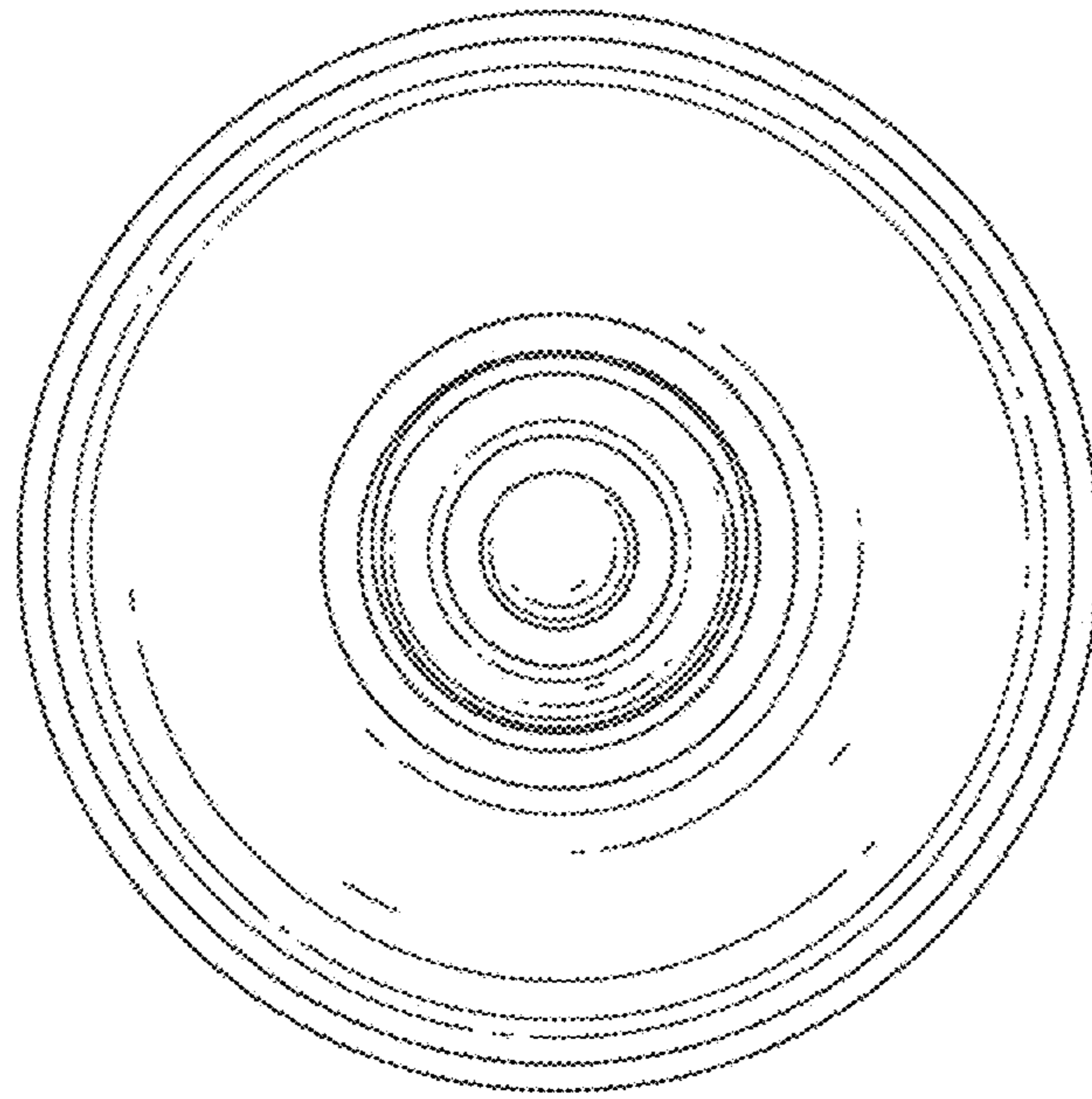


FIG. 7

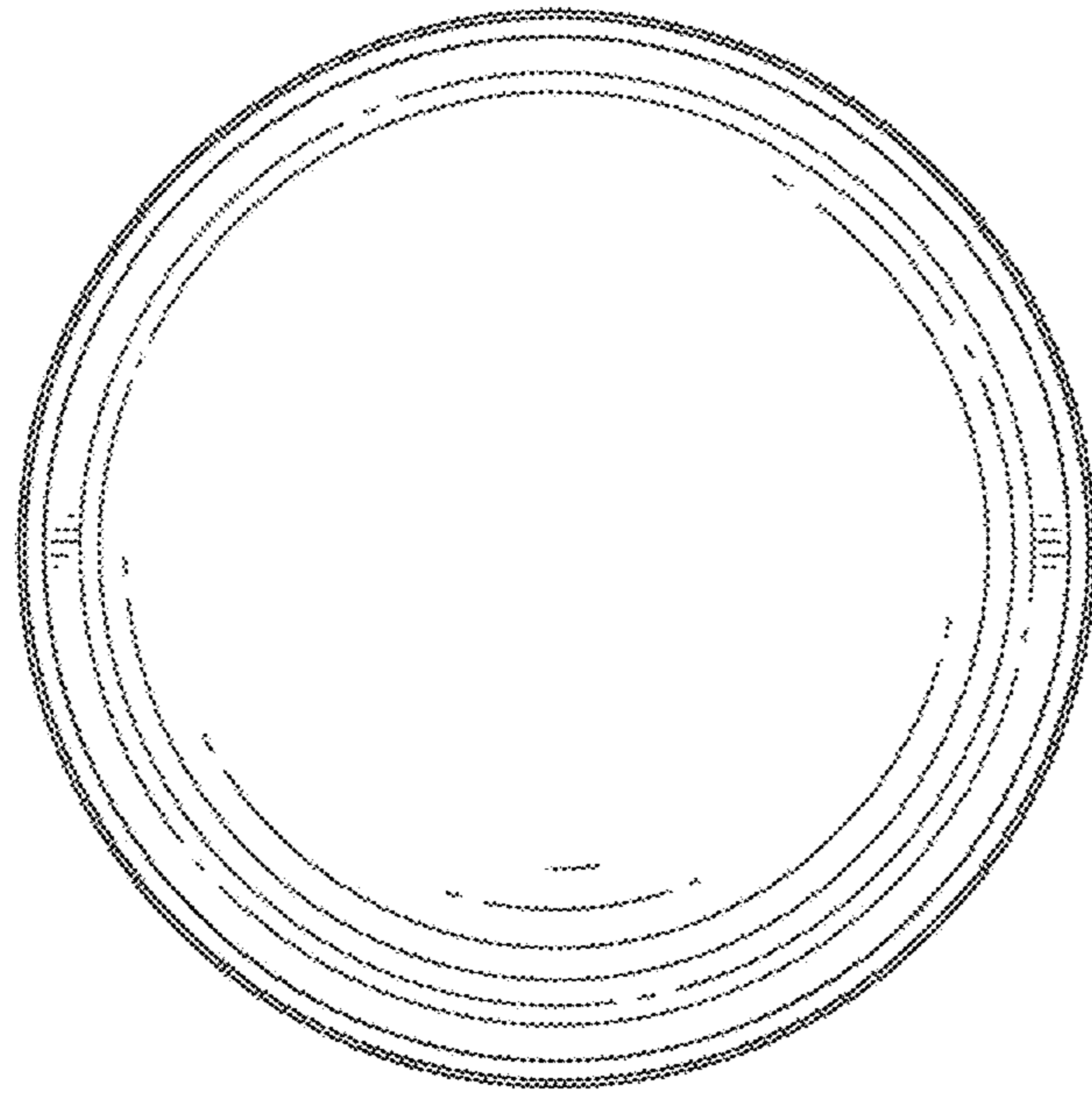


FIG. 8

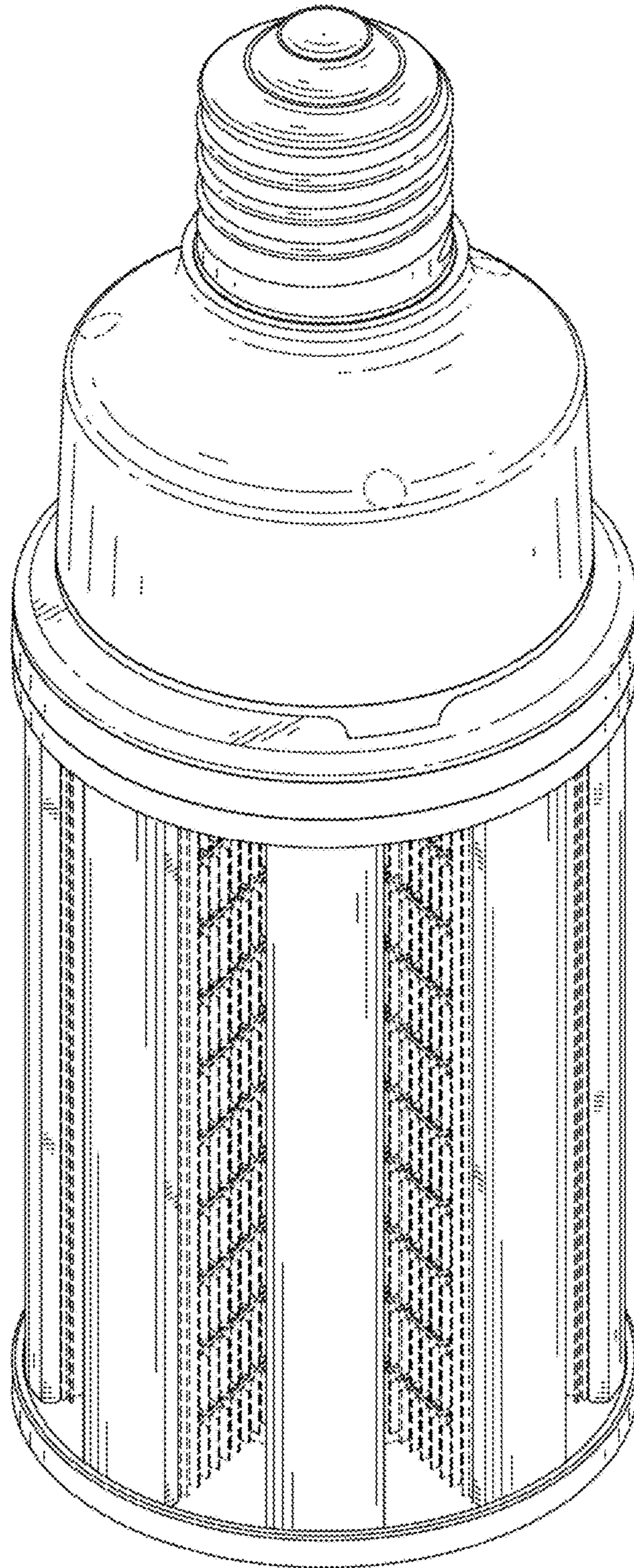


FIG. 9

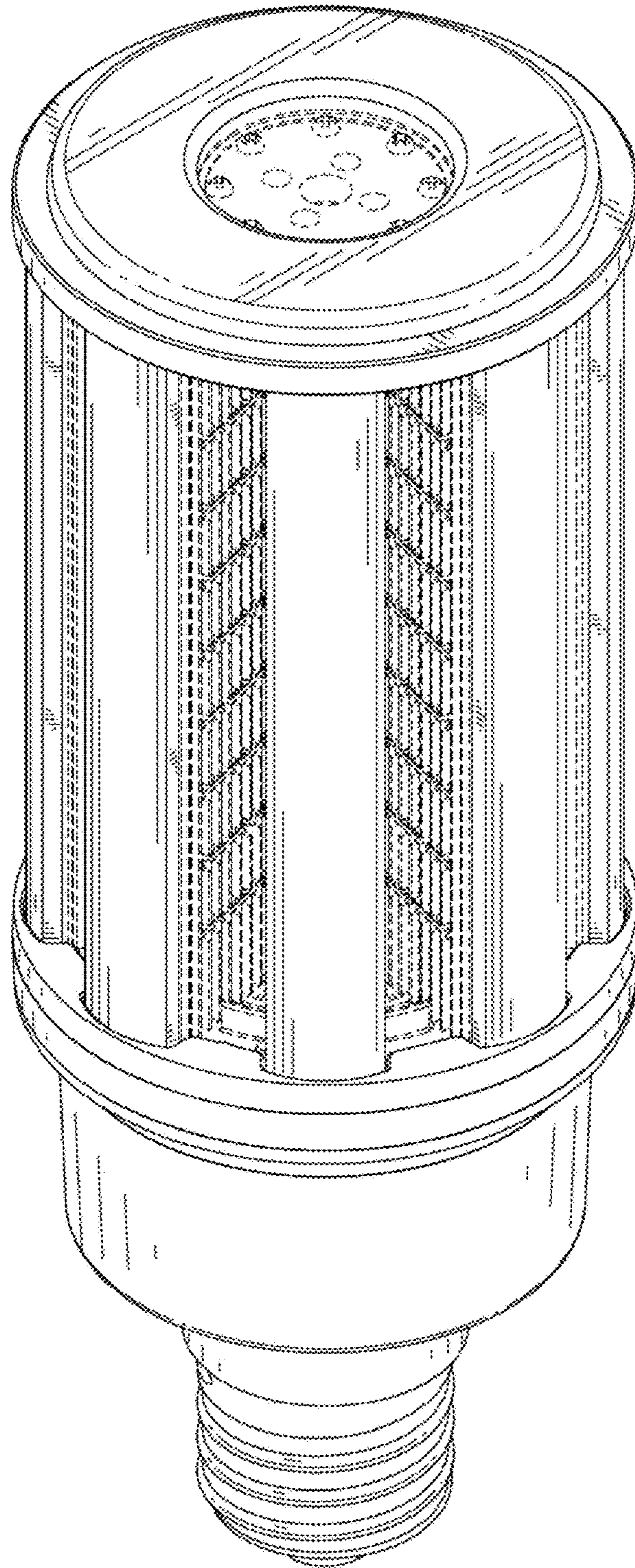


FIG. 10

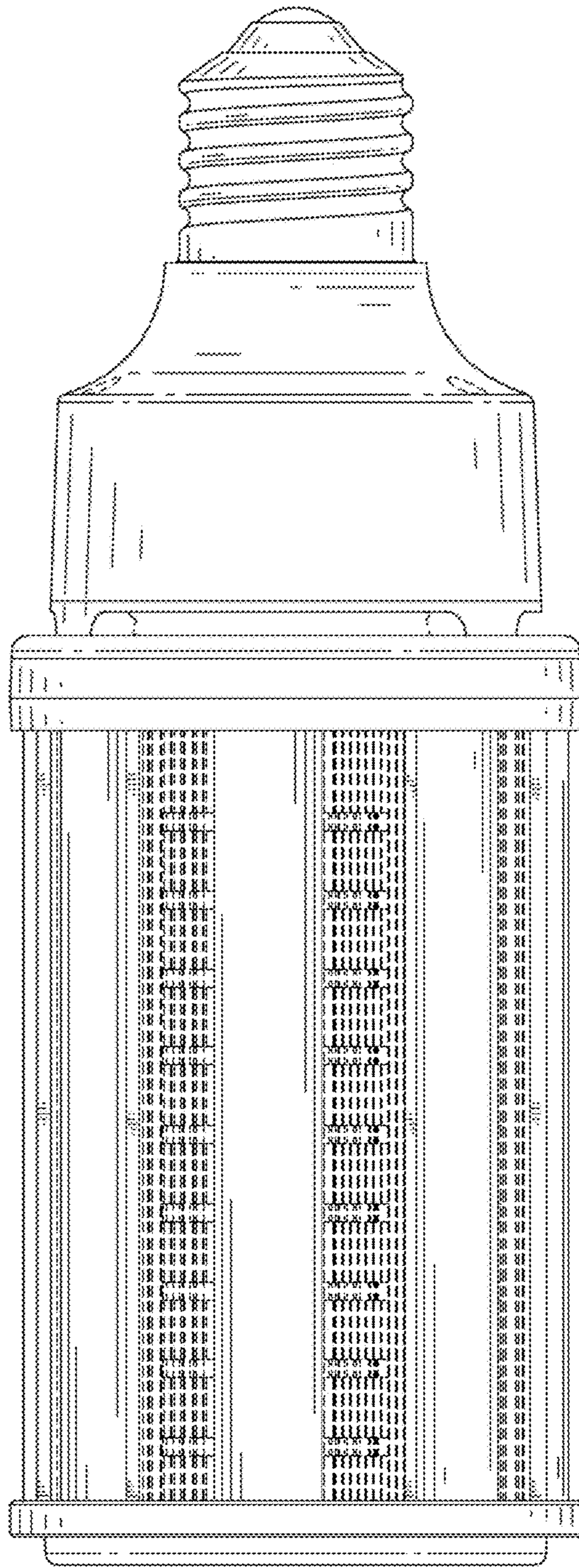


FIG. 11

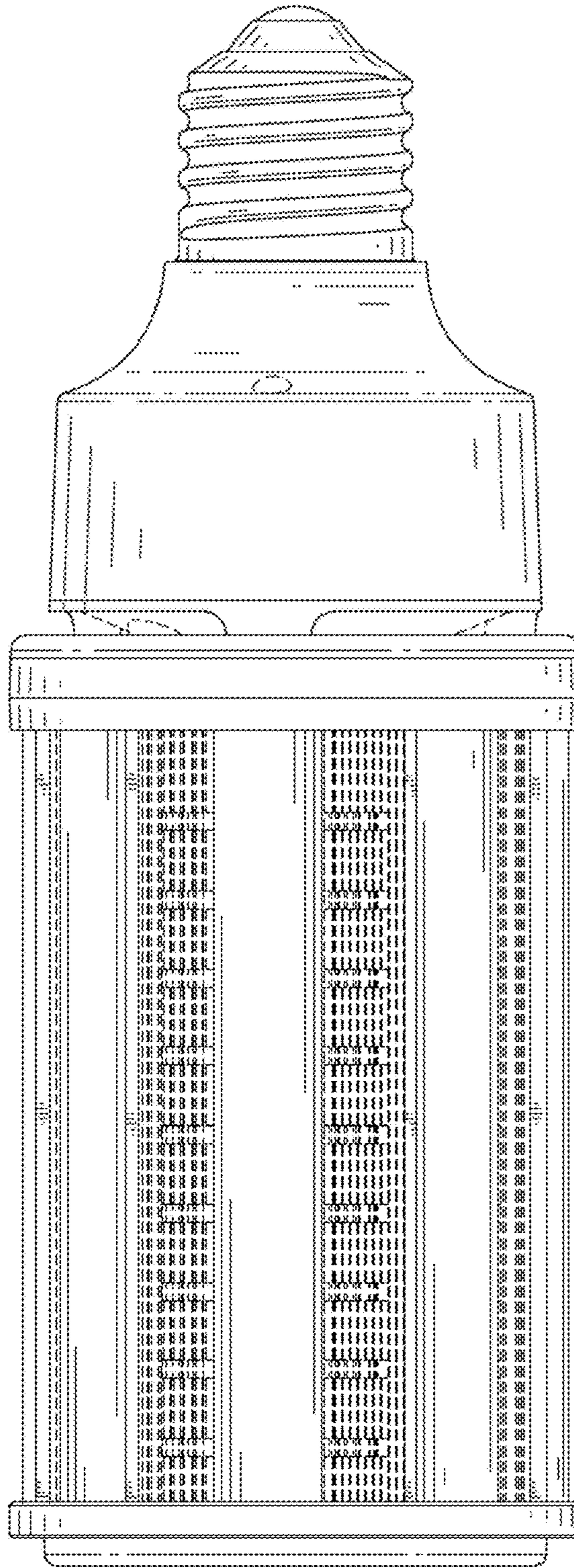


FIG. 12

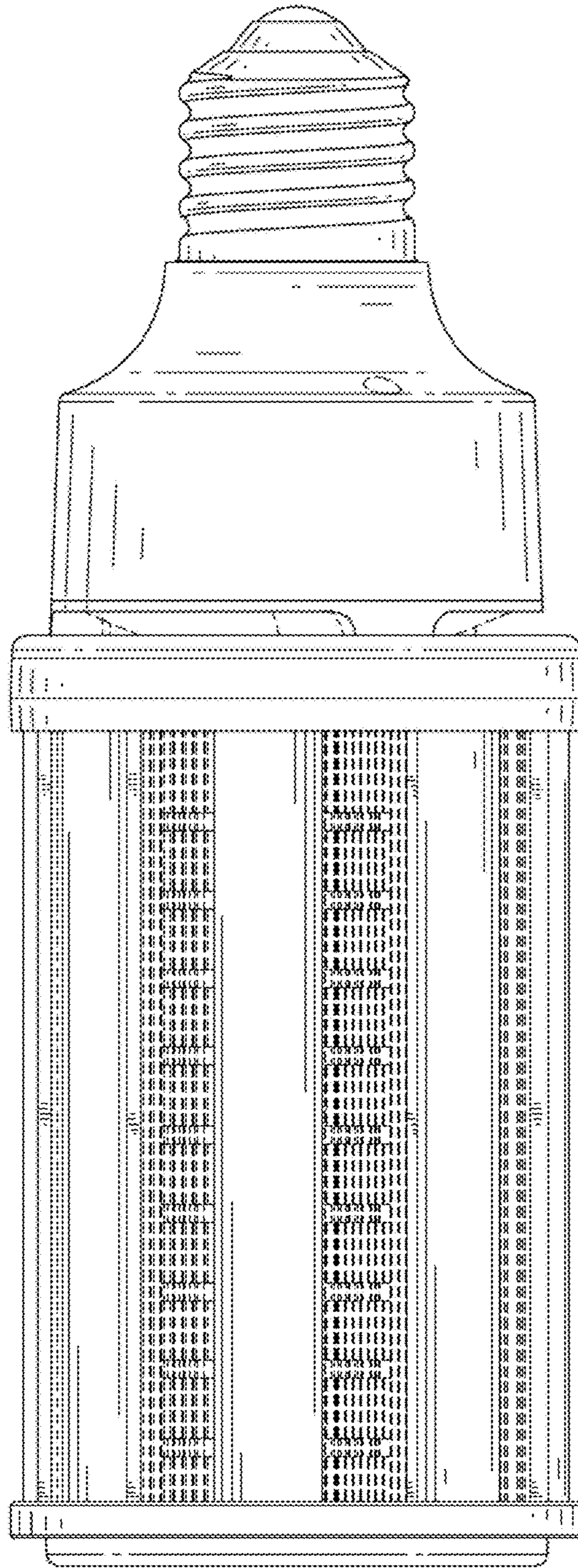


FIG. 13

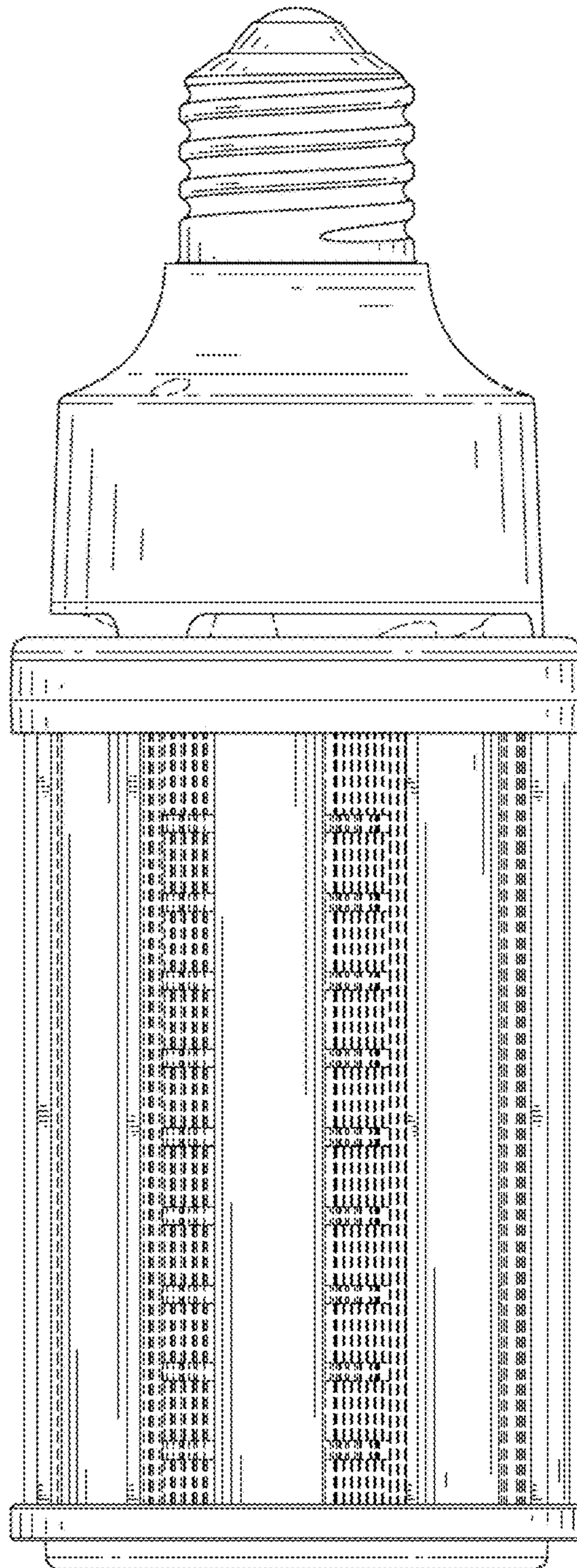


FIG. 14

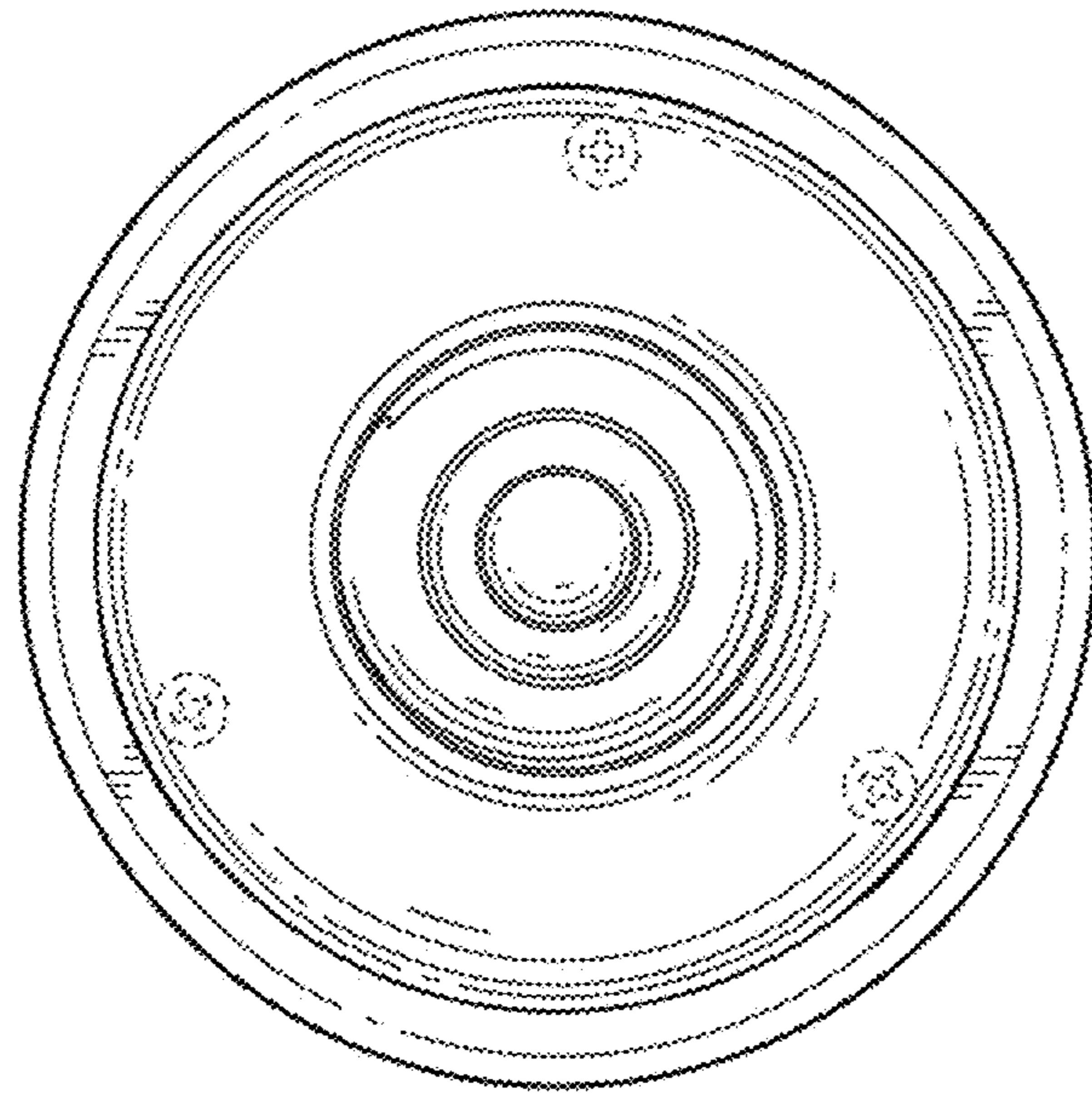


FIG. 15

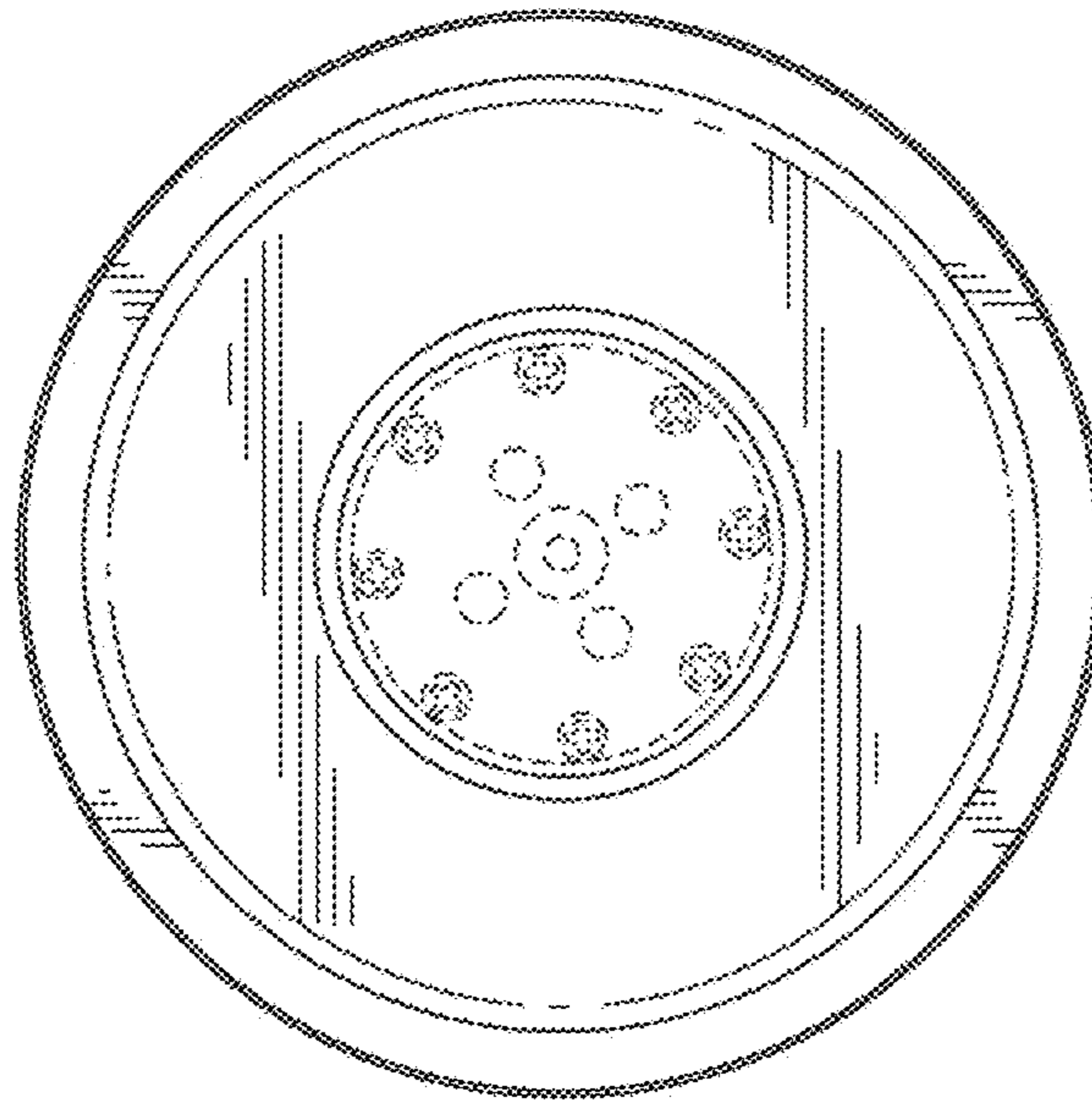


FIG. 16