



US00D850666S

(12) **United States Design Patent**  
**Pan**

(10) **Patent No.:** **US D850,666 S**

(45) **Date of Patent:** **\*\* Jun. 4, 2019**

(54) **LED LAMP**

D600,368 S \* 9/2009 Bertram ..... D26/2  
D605,786 S \* 12/2009 Lim ..... D26/2

(71) Applicant: **SHENZHEN SNC OPTO ELECTRONIC CO., LTD**, Shenzhen (CN)

\* cited by examiner

*Primary Examiner* — Marcus A Jackson

(72) Inventor: **Nianhua Pan**, Shenzhen (CN)

(73) Assignee: **SHENZHEN SNC OPTO ELECTRONIC CO., LTD**, Shenzhen (CN)

(57) **CLAIM**

The ornamental design for a LED lamp, as shown and described.

(\*\*) Term: **15 Years**

**DESCRIPTION**

(21) Appl. No.: **29/624,703**

FIG. 1 is a perspective view of the LED lamp in accordance with a first embodiment showing my new design; FIG. 2 is similar to FIG. 1, viewed from another aspect; FIG. 3 is a front elevational view thereof; FIG. 4 is a rear elevational view thereof; FIG. 5 is a left side elevational view thereof; FIG. 6 is a right side elevational view thereof; FIG. 7 is a top plan view thereof; FIG. 8 is a bottom plan view thereof; FIG. 9 is a perspective view of the LED lamp in accordance with a second embodiment; FIG. 10 is similar to FIG. 9, viewed from another aspect; FIG. 11 is a front elevational view thereof; FIG. 12 is a rear elevational view thereof; FIG. 13 is a left side elevational view thereof; FIG. 14 is a right side elevational view thereof; FIG. 15 is a top plan view thereof; and, FIG. 16 is a bottom plan view thereof.

(22) Filed: **Nov. 3, 2017**

(51) **LOC (11) Cl.** ..... **26-04**

(52) **U.S. Cl.**  
USPC ..... **D26/2**

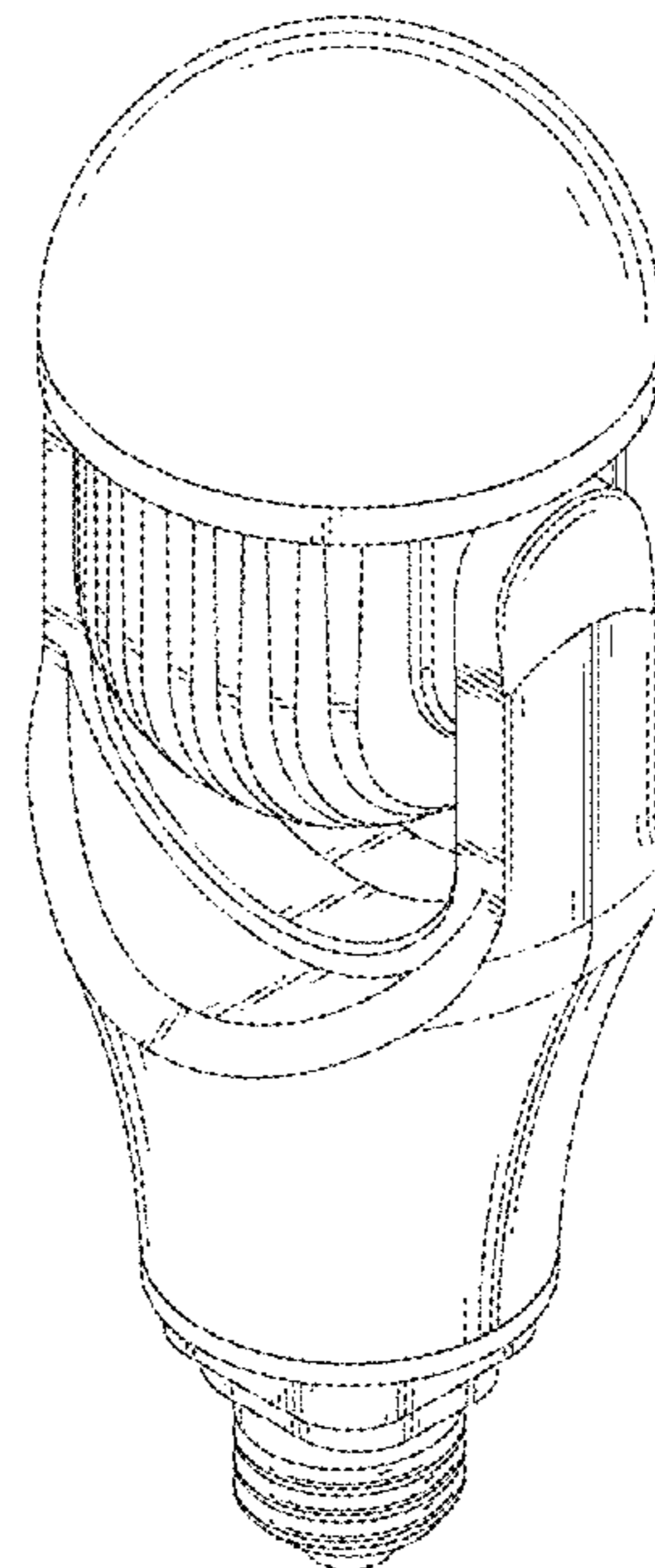
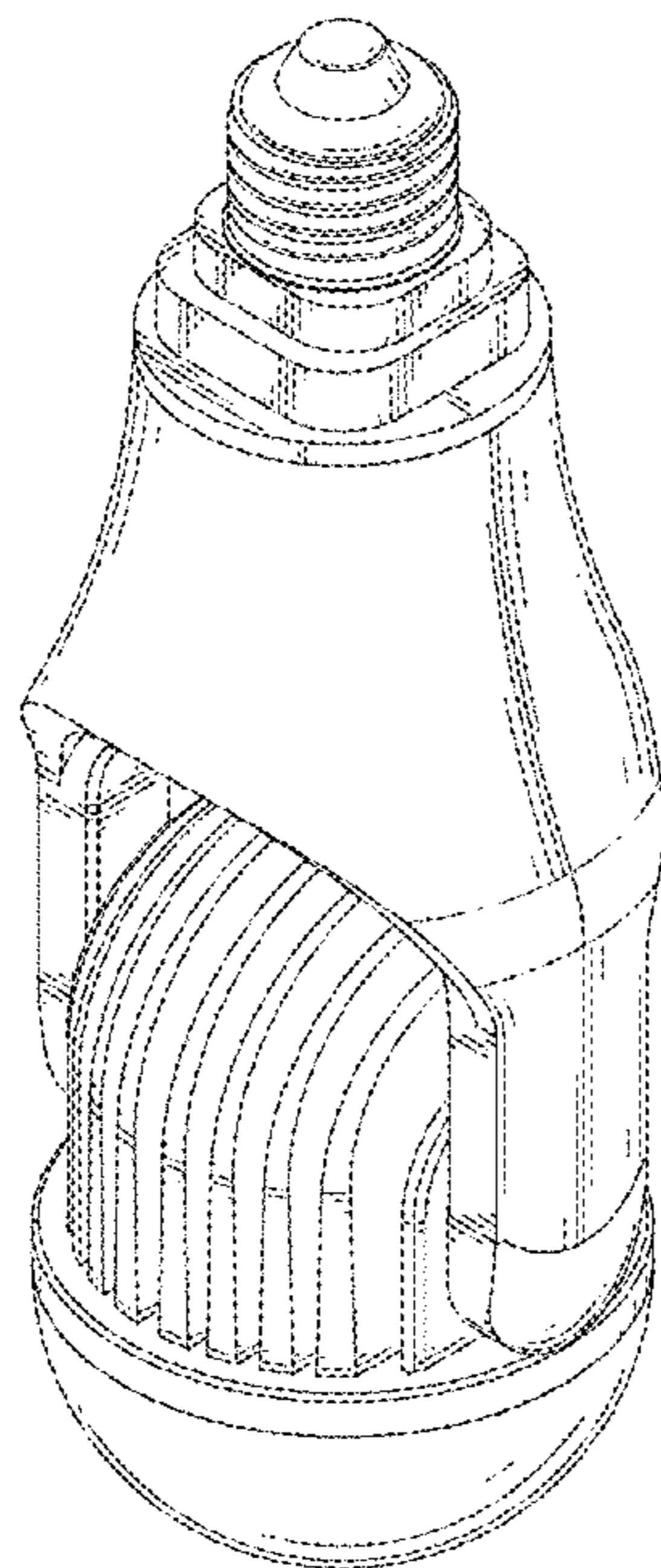
(58) **Field of Classification Search**  
USPC ..... D26/1-4  
CPC ..... H01R 5/00; H01R 13/46; H01R 13/514; H01R 31/048; H01R 31/02; H01J 5/00; H01J 5/16; H01J 1/02; H01J 15/00; H01J 5/48; H01J 5/50; H01J 19/54; F21V 5/00; F21V 13/00; F21V 29/004  
See application file for complete search history.

(56) **References Cited**

**U.S. PATENT DOCUMENTS**

D553,267 S \* 10/2007 Yuen ..... D26/2  
D590,523 S \* 4/2009 Takahashi ..... D26/2

**1 Claim, 16 Drawing Sheets**



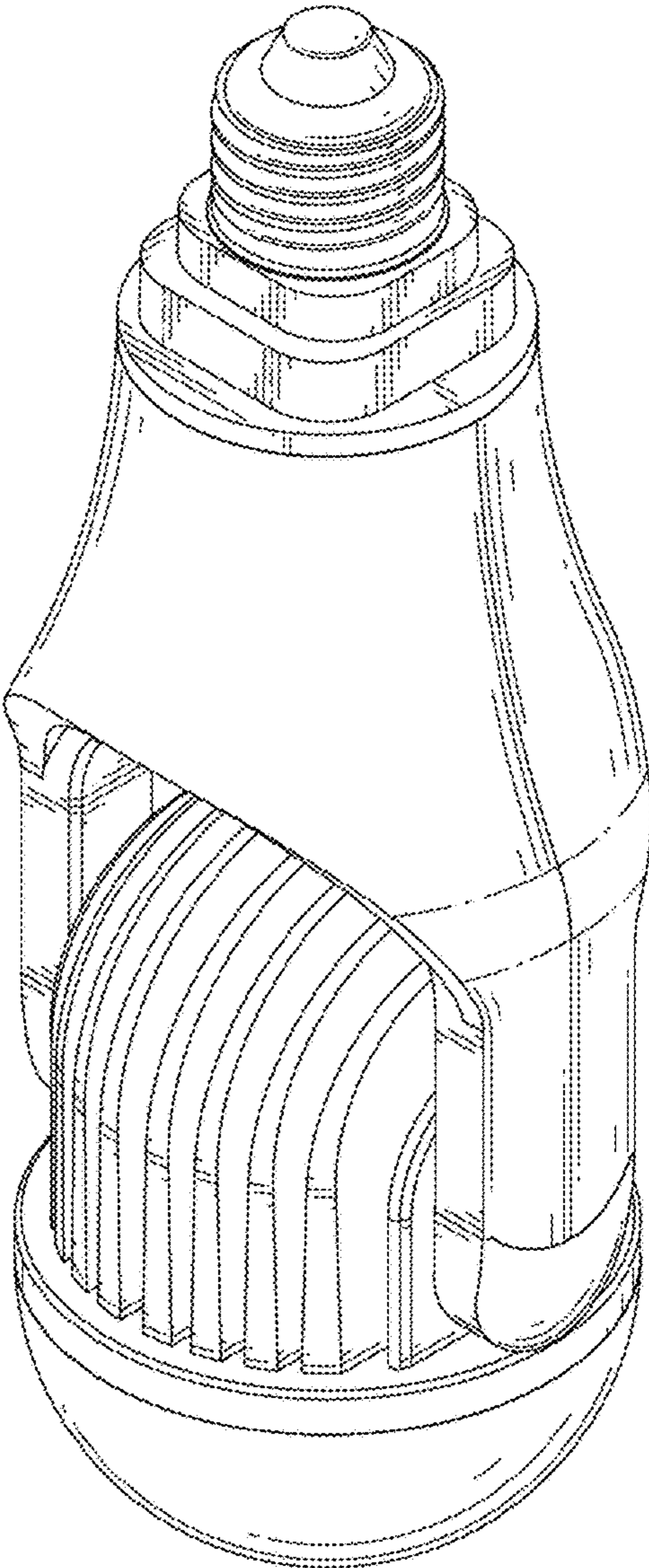


FIG. 1

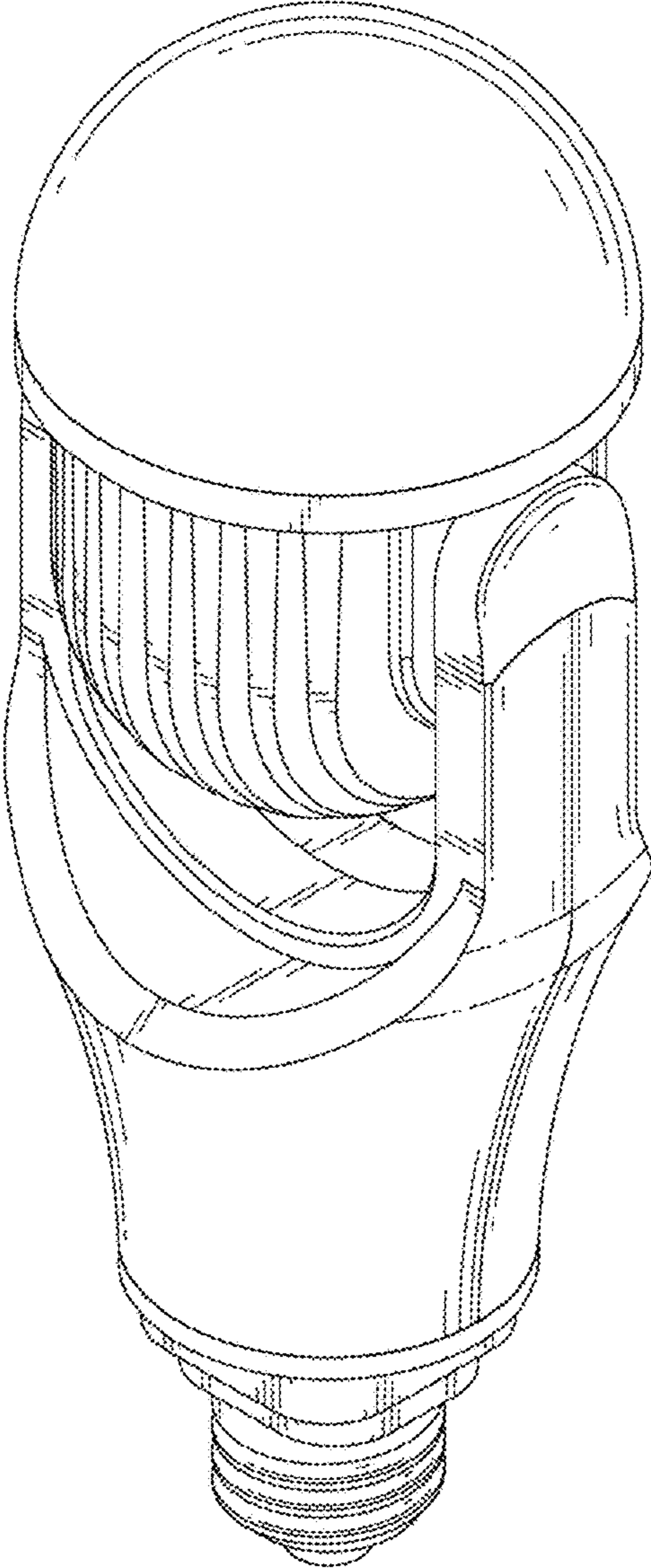


FIG. 2

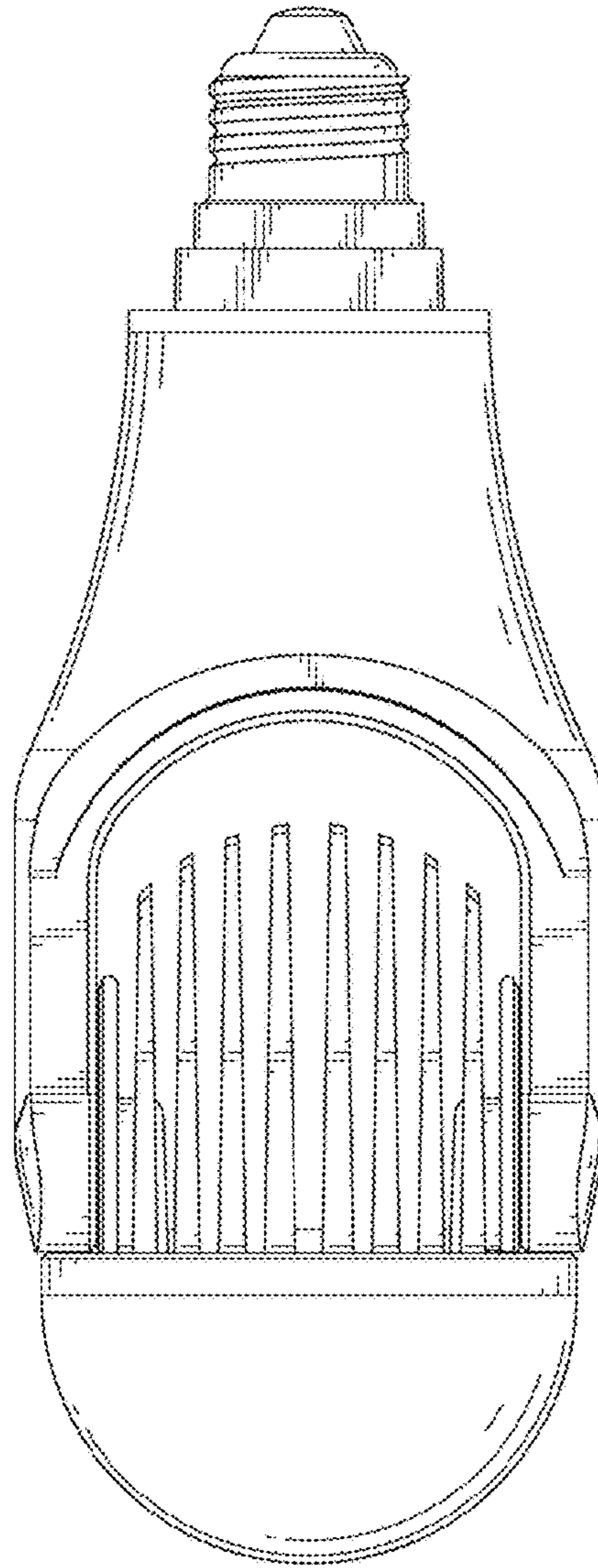


FIG. 3

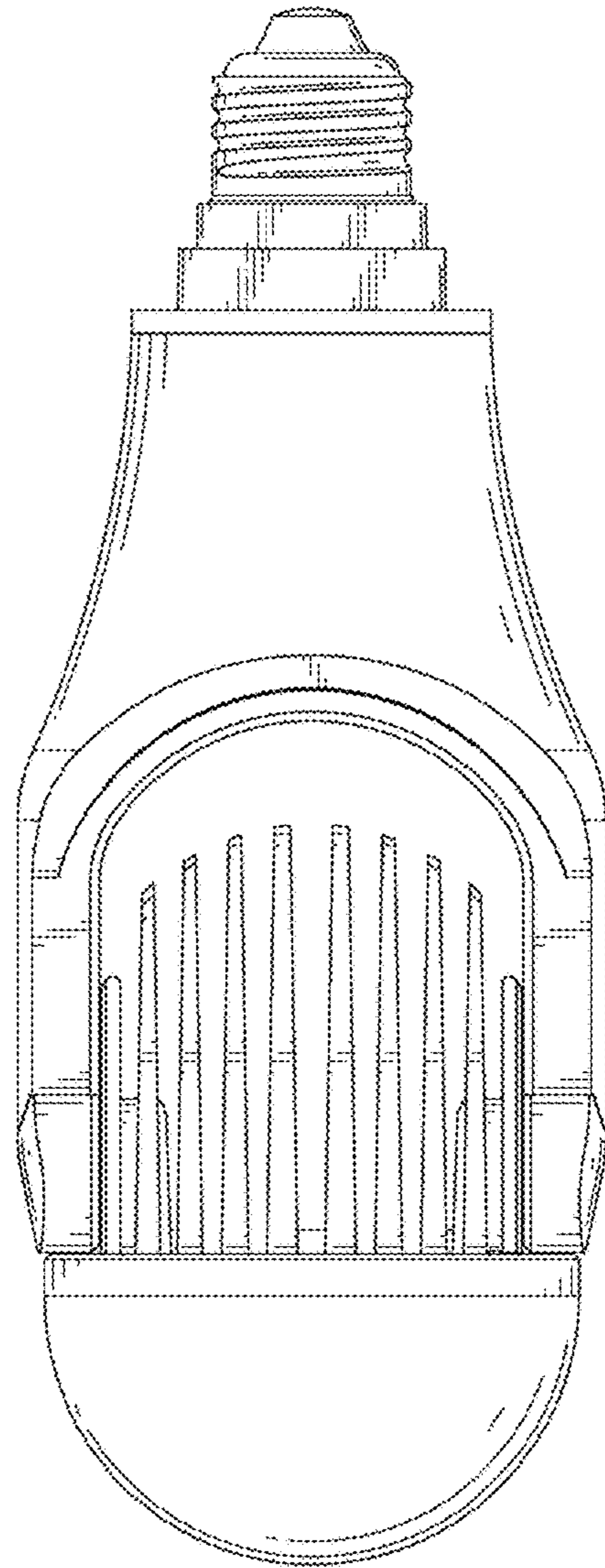


FIG. 4

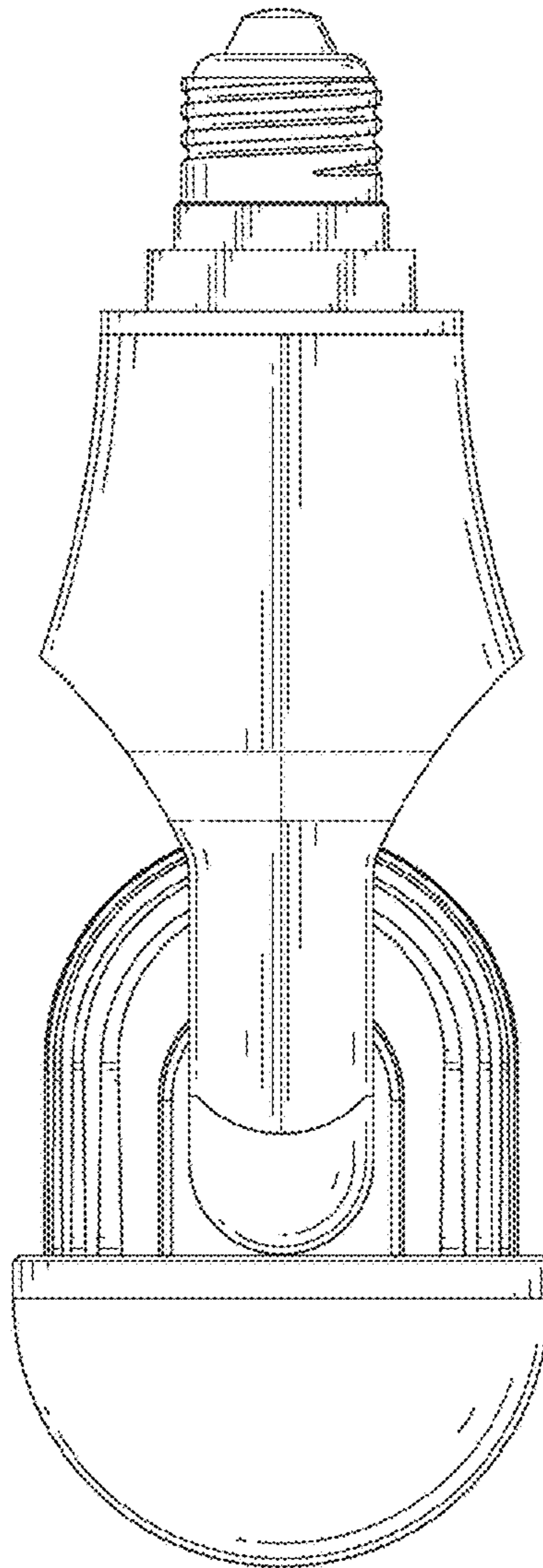


FIG. 5

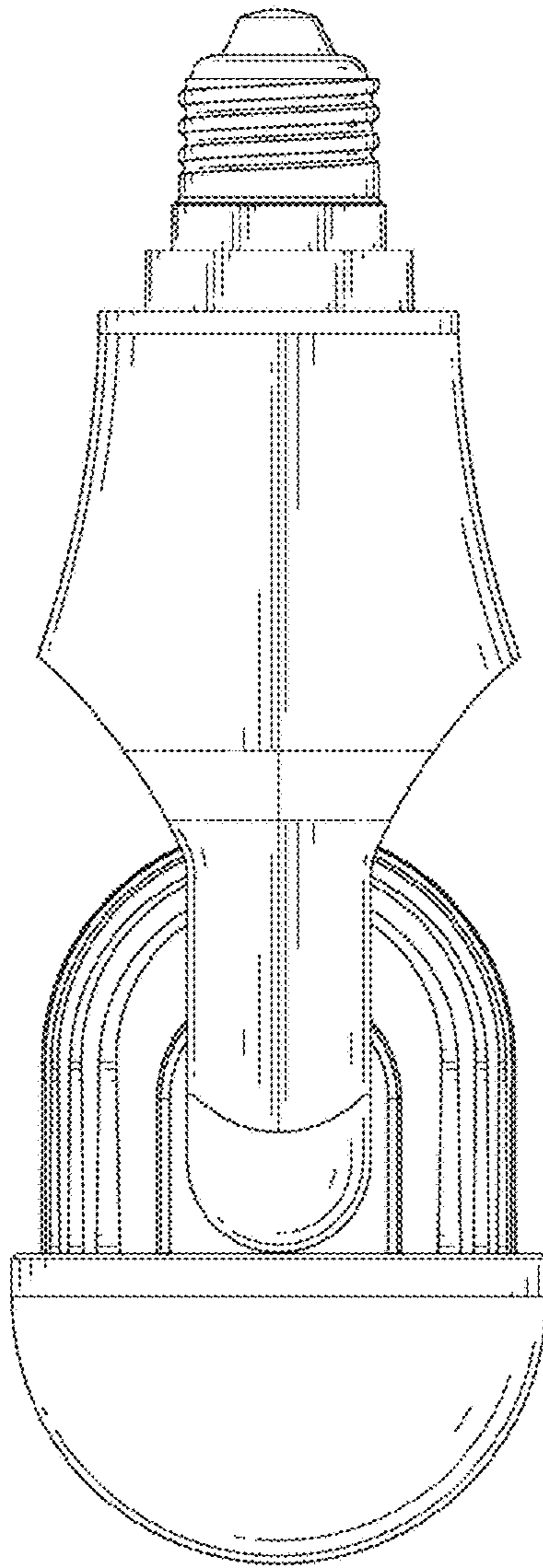


FIG. 6

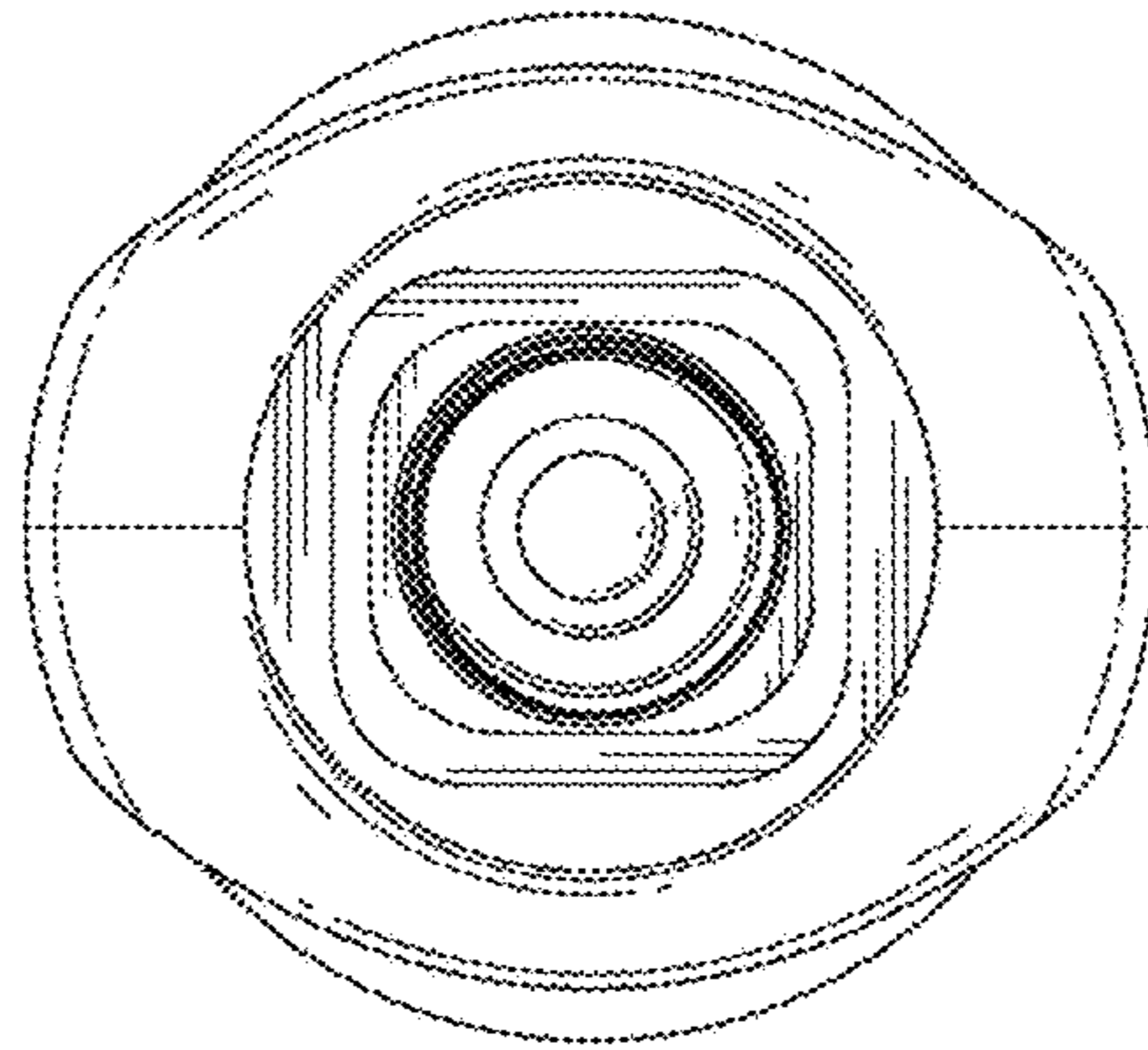


FIG. 7



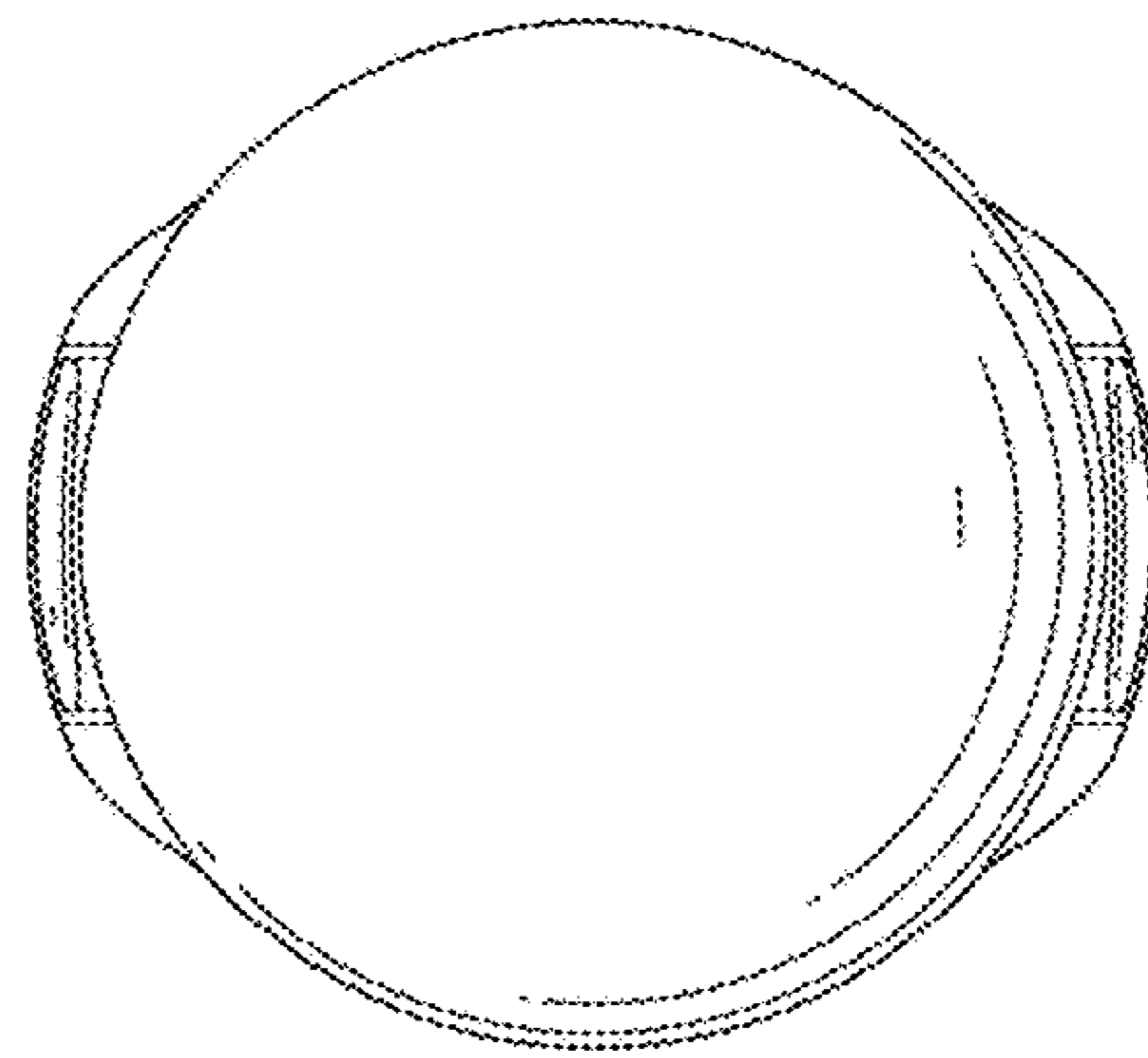


FIG. 8

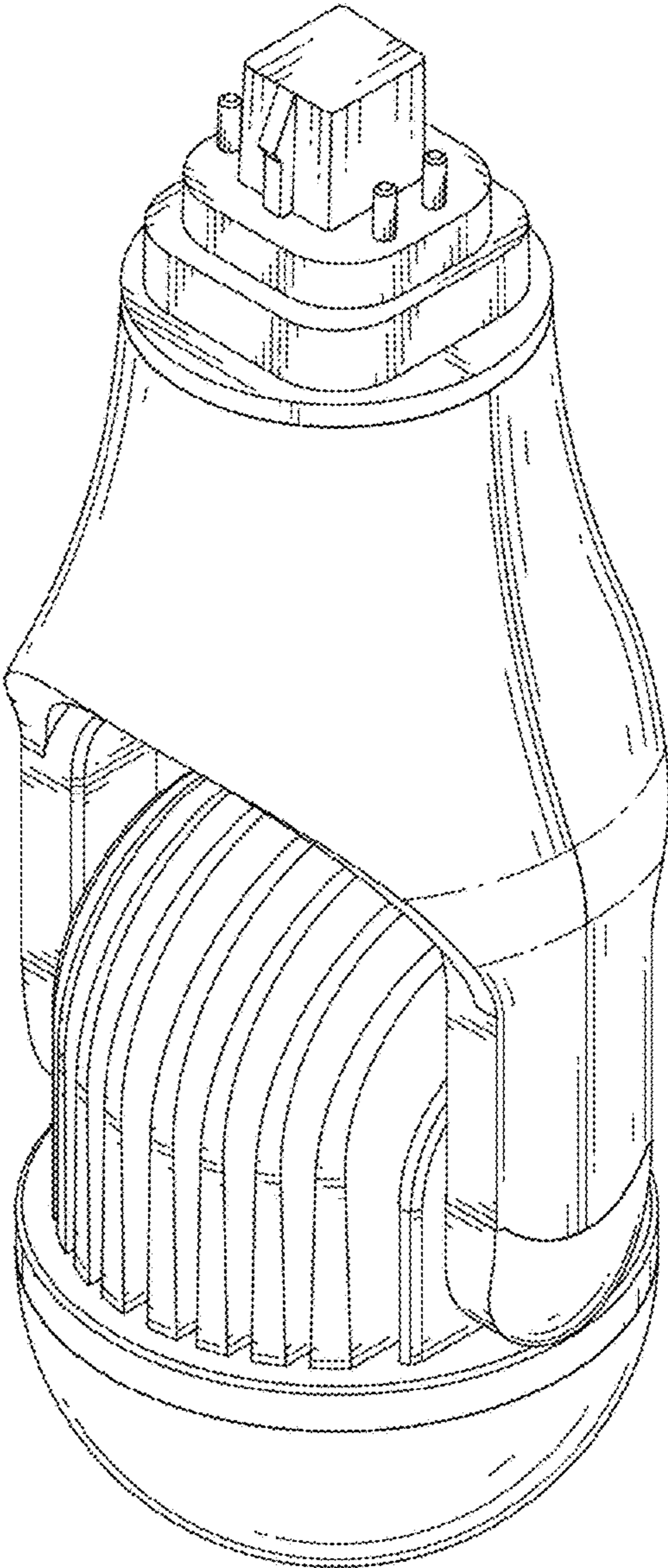


FIG. 9

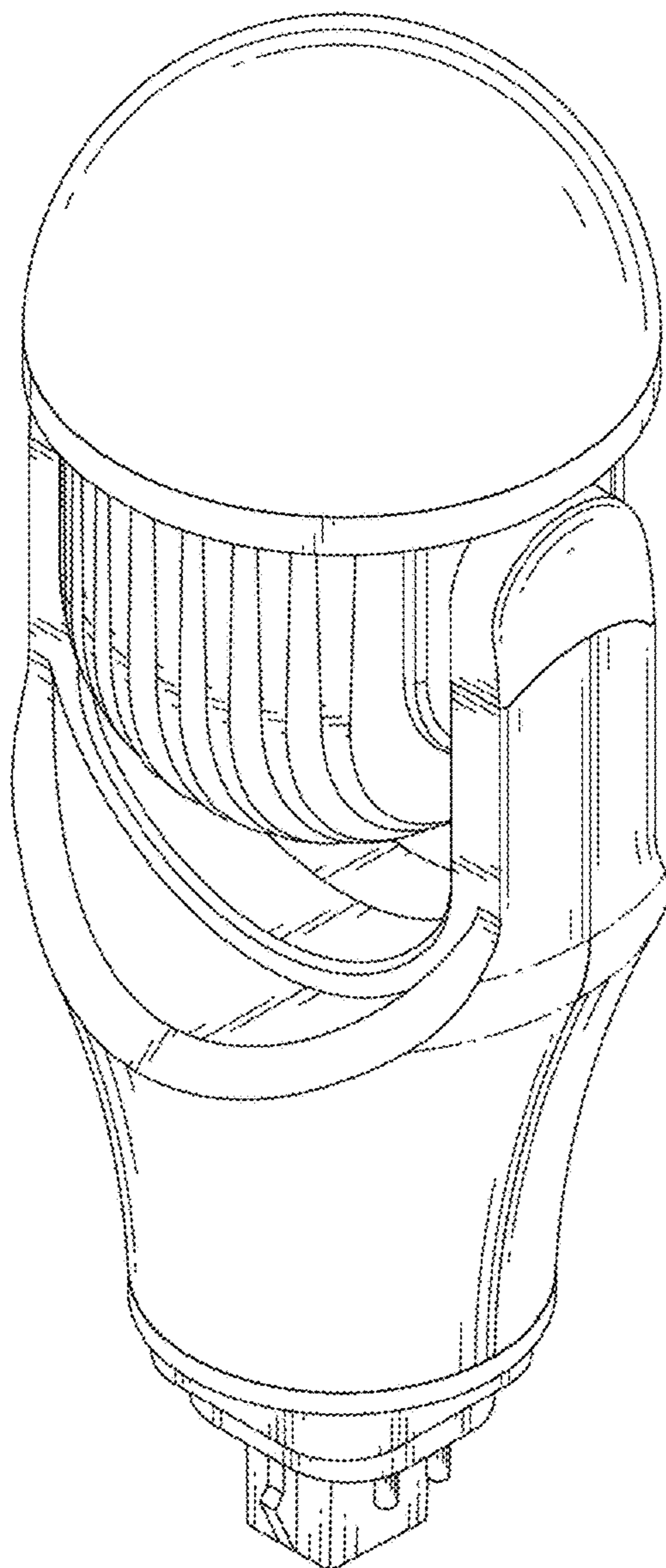


FIG. 10

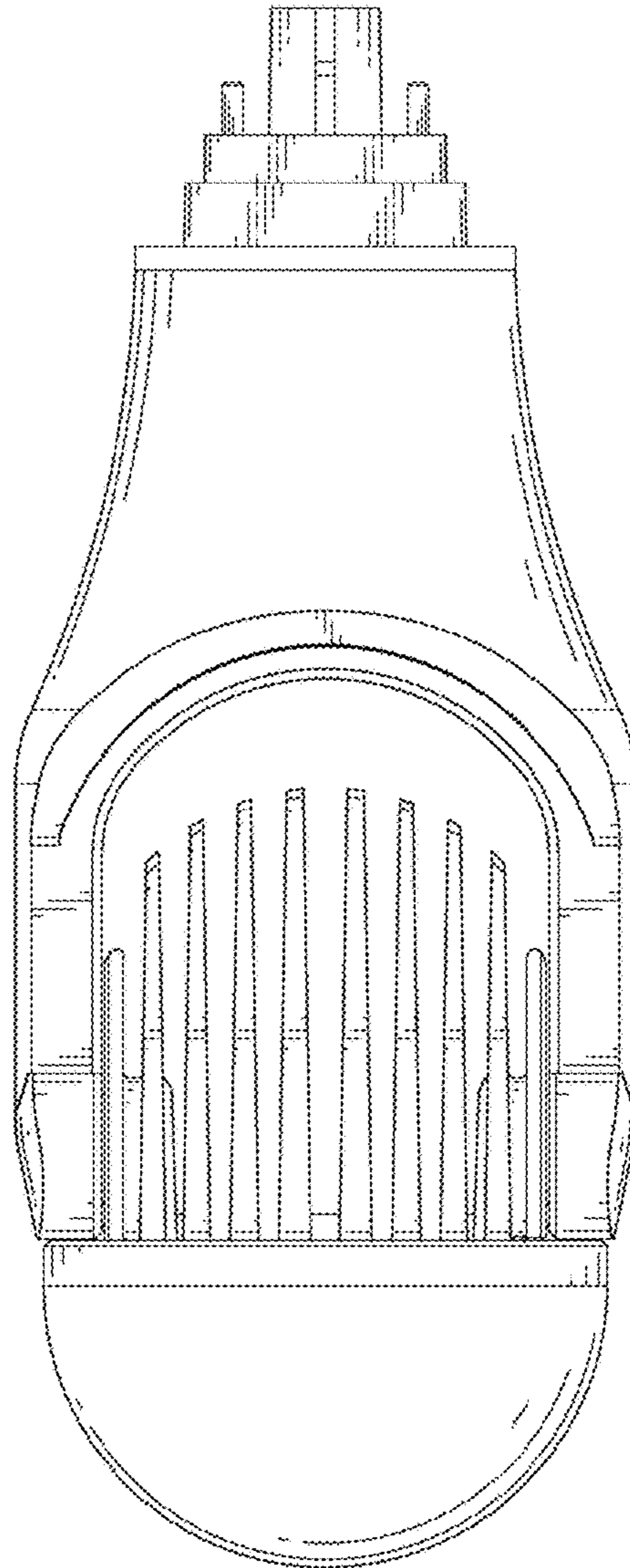


FIG. 11

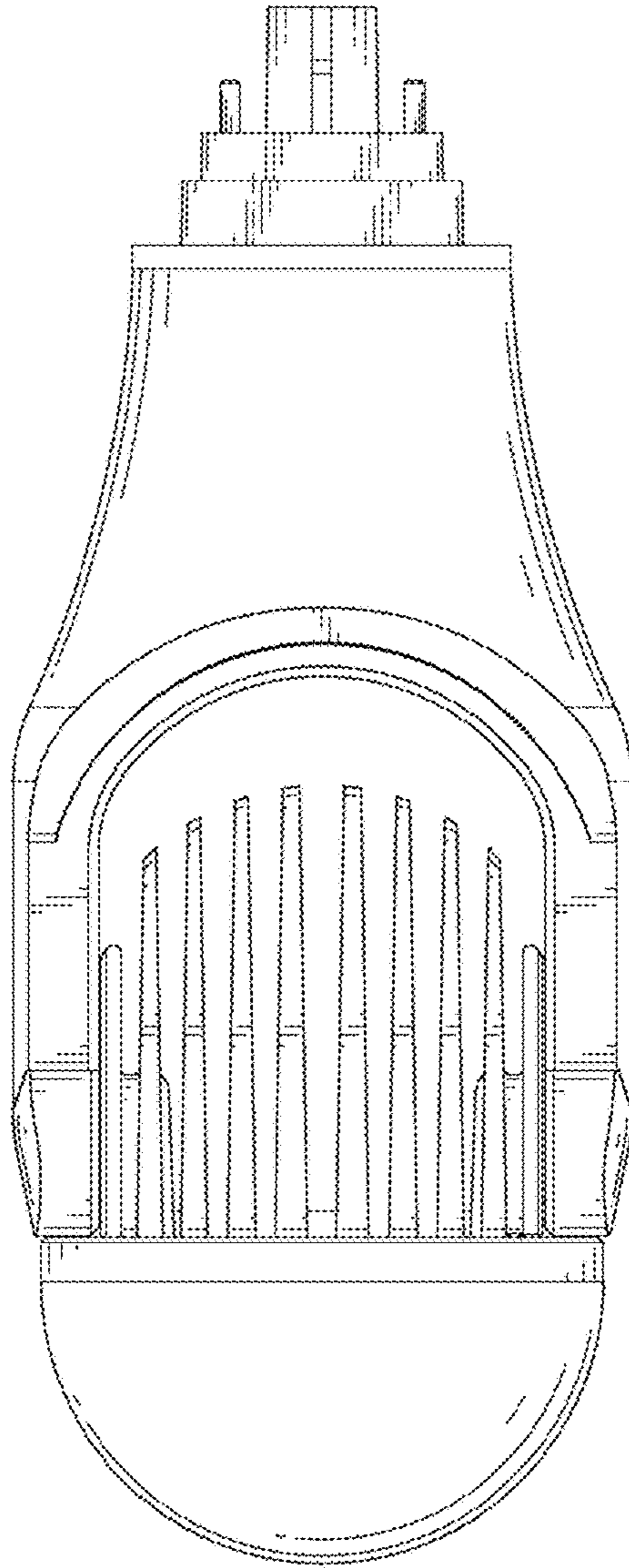


FIG. 12

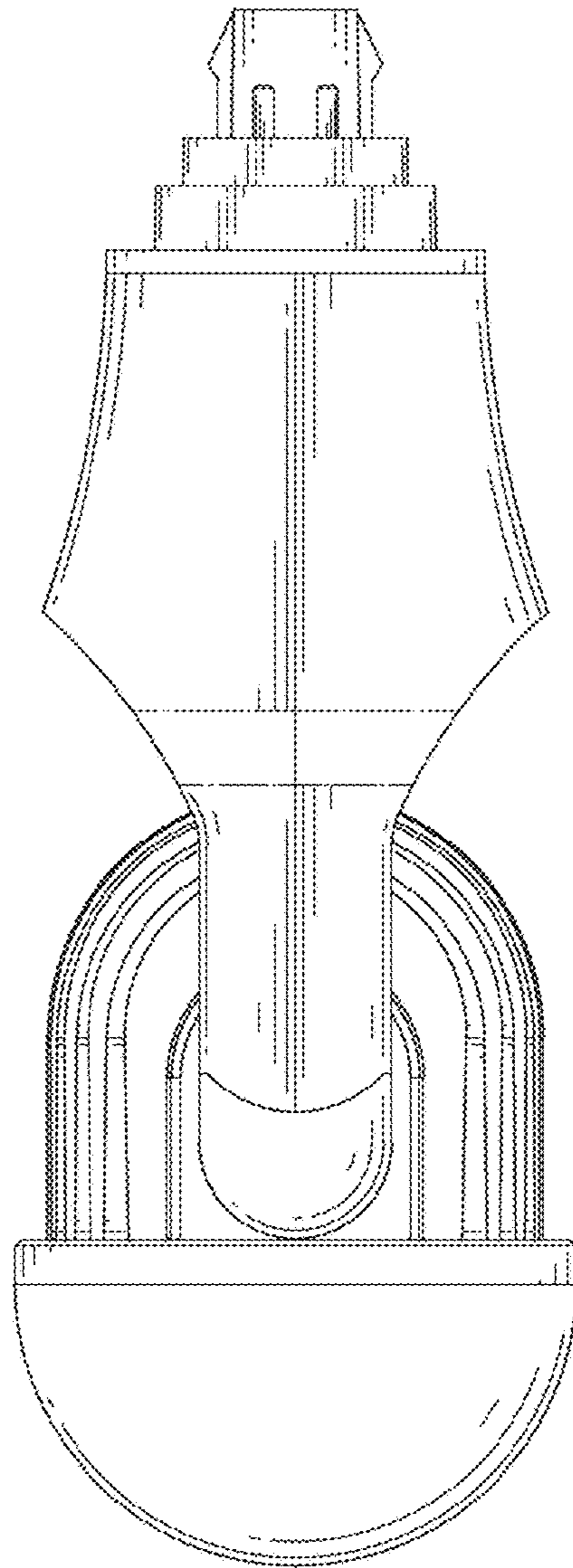


FIG. 13

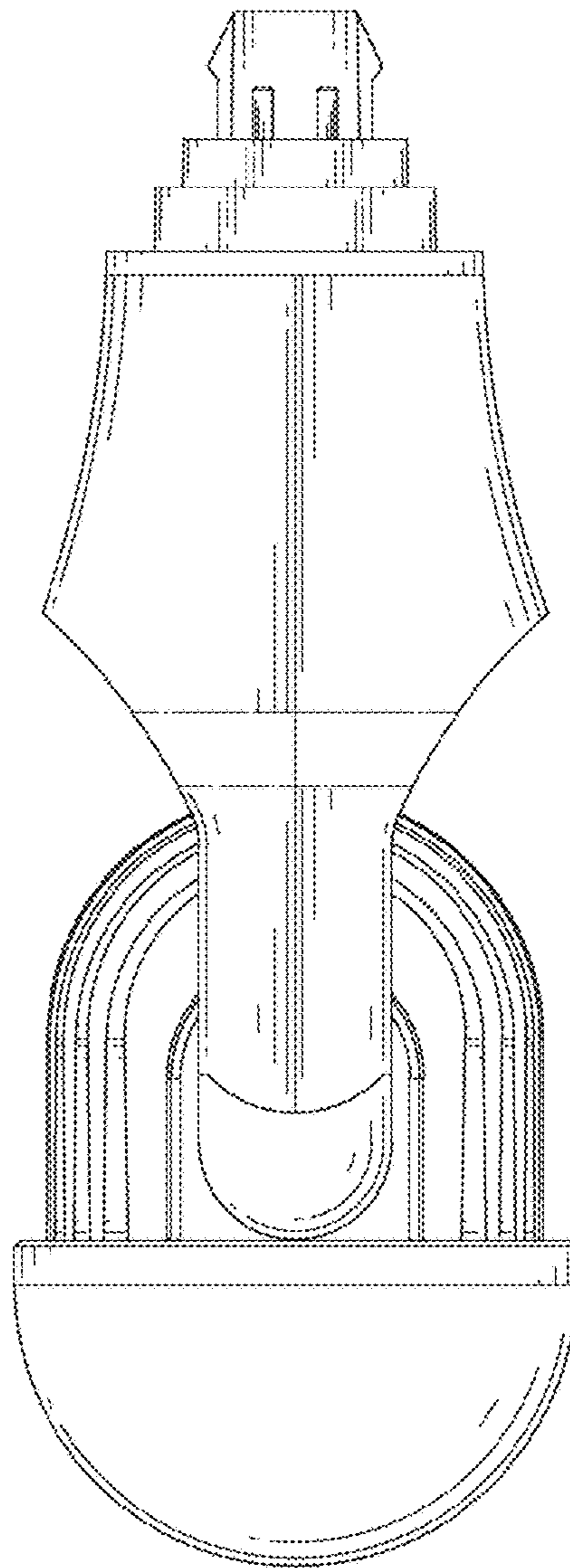


FIG. 14

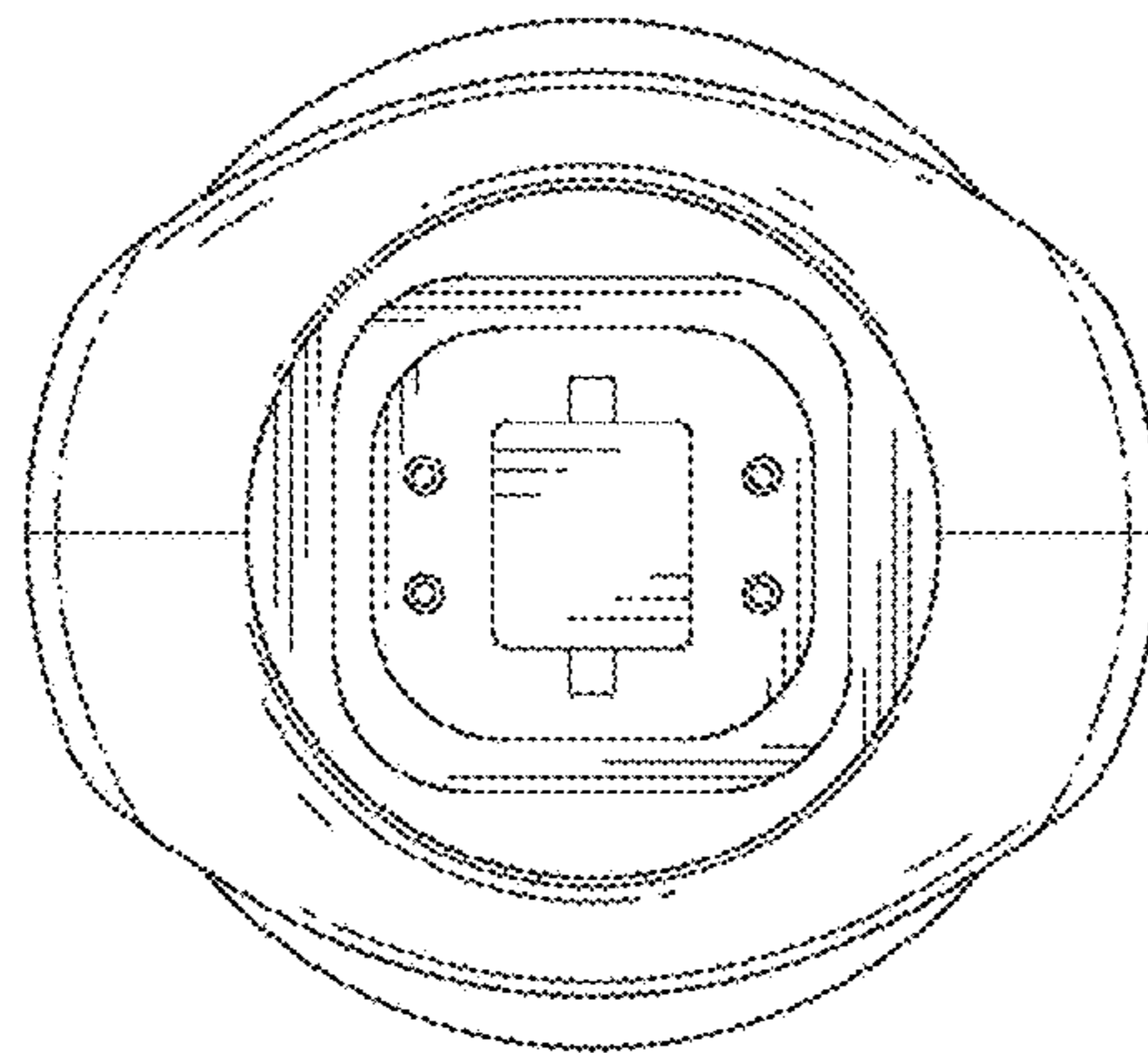


FIG. 15



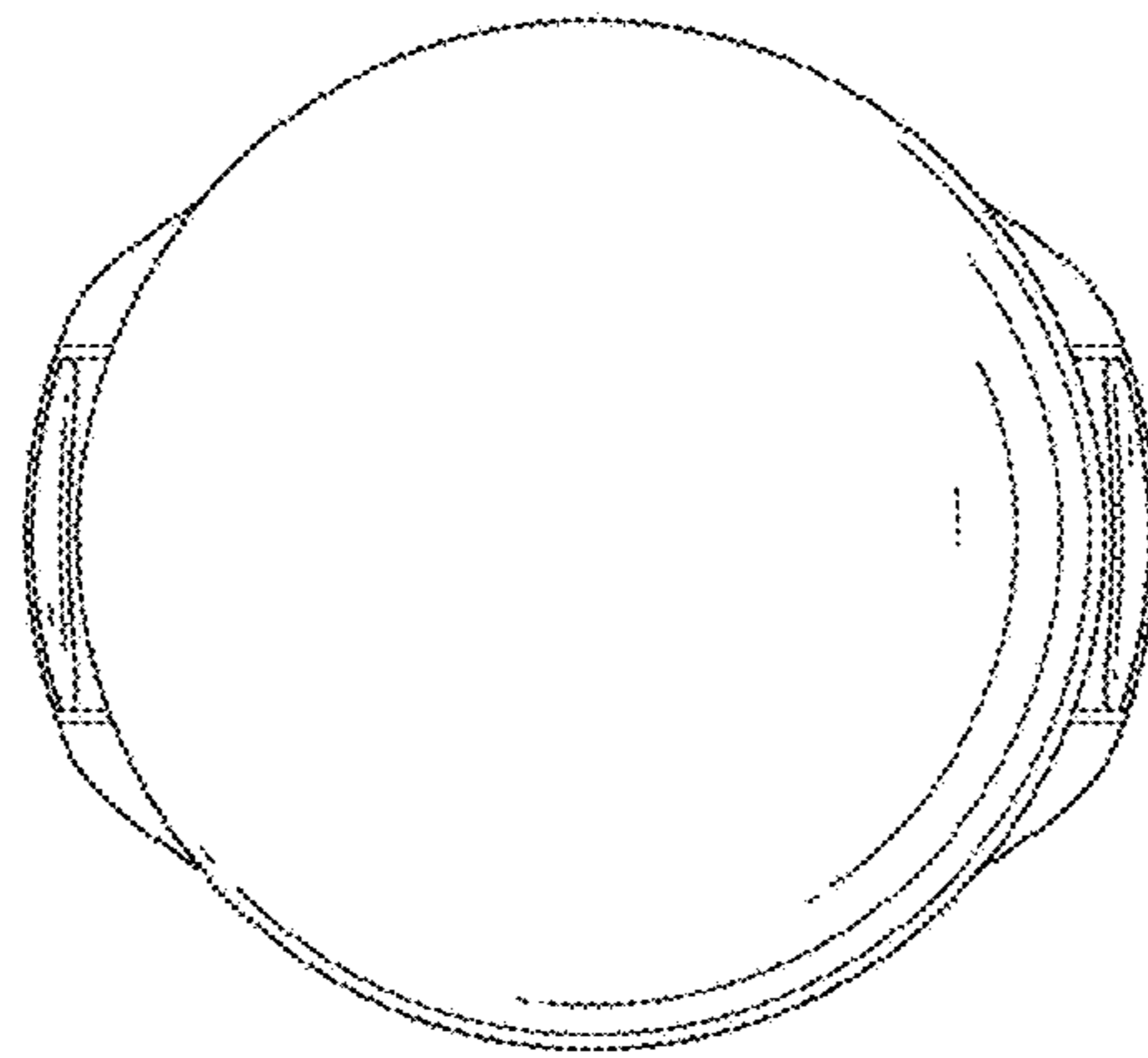


FIG. 16