



US00D850664S

(12) **United States Design Patent**
Zhou et al.

(10) **Patent No.:** **US D850,664 S**

(45) **Date of Patent:** **** Jun. 4, 2019**

(54) **LAMP**

(71) Applicant: **MAINHOUSE (XIAMEN)
ELECTRONICS CO., LTD**, Fujian
(CN)

(72) Inventors: **Nanqing Zhou**, Fujian (CN); **Rongkui
Wu**, Fujian (CN)

(**) Term: **15 Years**

(21) Appl. No.: **29/624,685**

(22) Filed: **Nov. 2, 2017**

(51) **LOC (11) Cl.** **26-04**

(52) **U.S. Cl.**
USPC **D26/2**

(58) **Field of Classification Search**
USPC D26/1-4
CPC H01R 5/00; H01R 13/46; H01R 13/514;
H01R 31/048; H01R 31/02; H01J 5/00;
H01J 5/16; H01J 1/02; H01J 15/00; H01J
5/48; H01J 5/50; F21V 5/00; F21V
13/00; F21V 29/004

See application file for complete search history.

(56) **References Cited**

U.S. PATENT DOCUMENTS

D433,167 S * 10/2000 Yim D26/2
D463,584 S * 9/2002 Yim D26/2

D535,038 S * 1/2007 Egawa D26/2
D601,278 S * 9/2009 Takahashi D26/2
D616,120 S * 5/2010 Wada D26/2
D646,809 S * 10/2011 Shi D26/2
D688,395 S * 8/2013 Bukkems D26/2

* cited by examiner

Primary Examiner — Marcus A Jackson

(74) *Attorney, Agent, or Firm* — Prakash Nama; Global
IP Services, PLLC

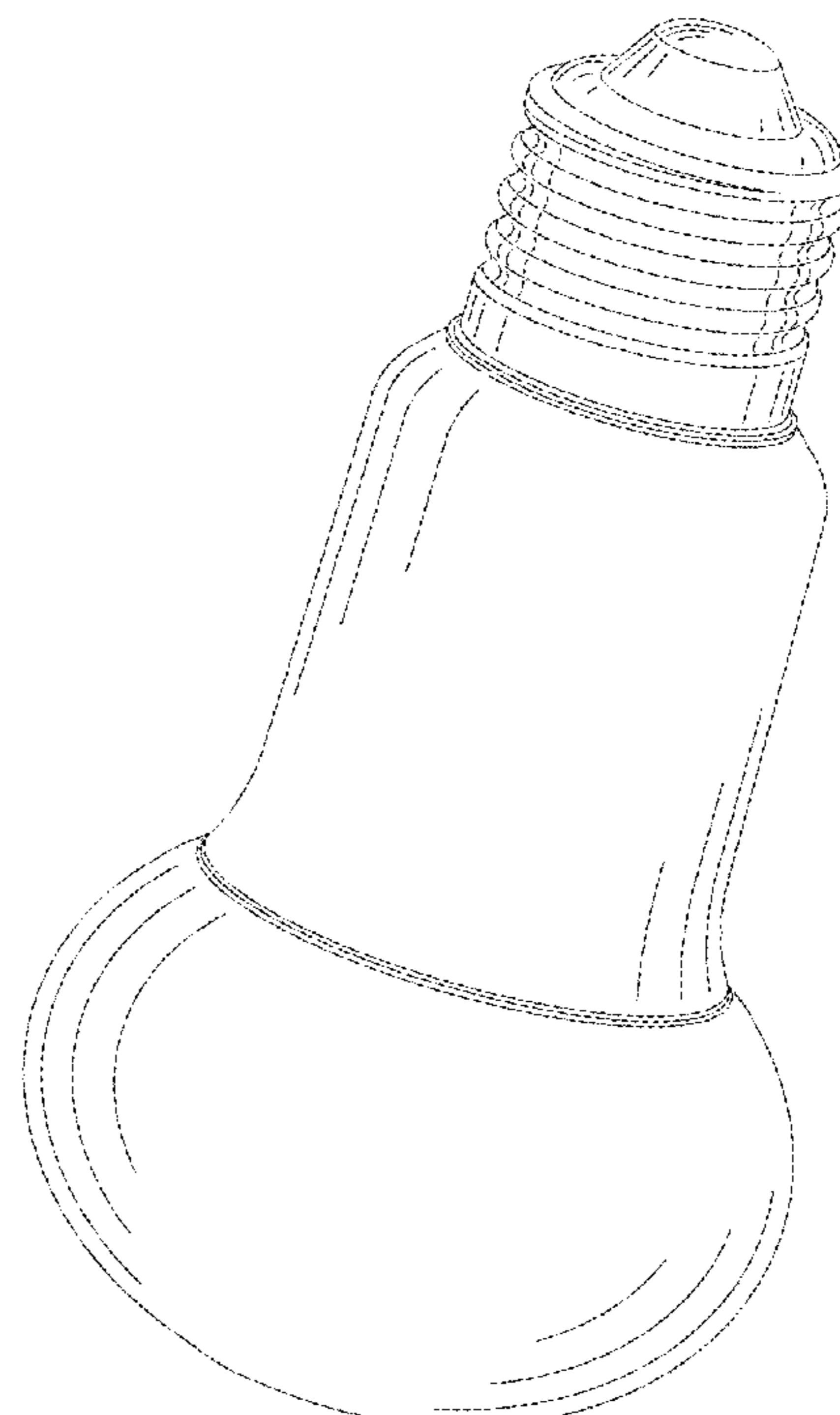
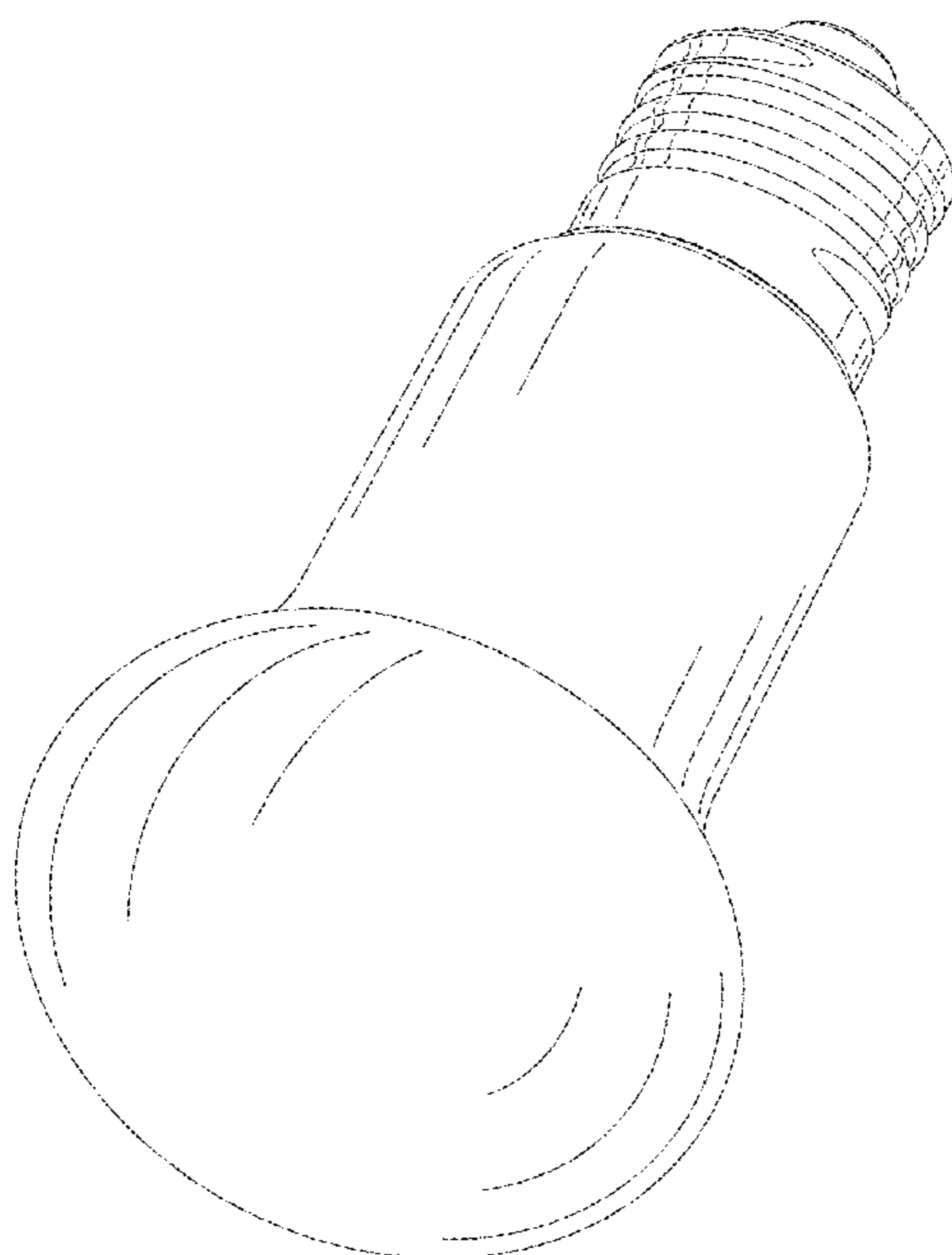
(57) **CLAIM**

The ornamental design for a lamp, as shown.

DESCRIPTION

FIG. 1 is a front elevational view of a lamp showing our new design;
FIG. 2 is a rear elevational view thereof;
FIG. 3 is a left side view thereof;
FIG. 4 is a right side view thereof;
FIG. 5 is a top plan view thereof;
FIG. 6 is a bottom plan view thereof;
FIG. 7 is a perspective view thereof; and,
FIG. 8 is another perspective view thereof.

1 Claim, 7 Drawing Sheets



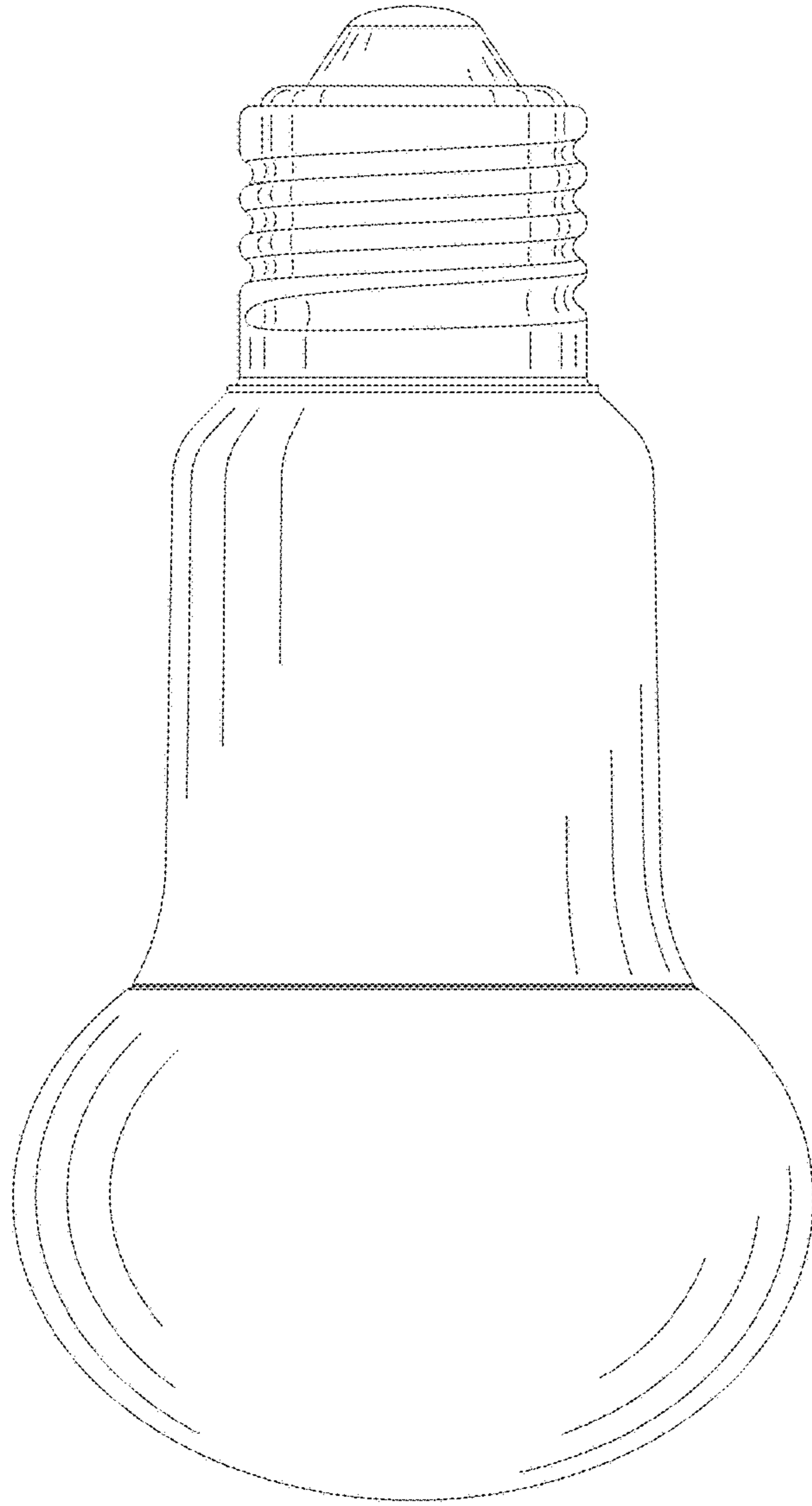


FIG. 1

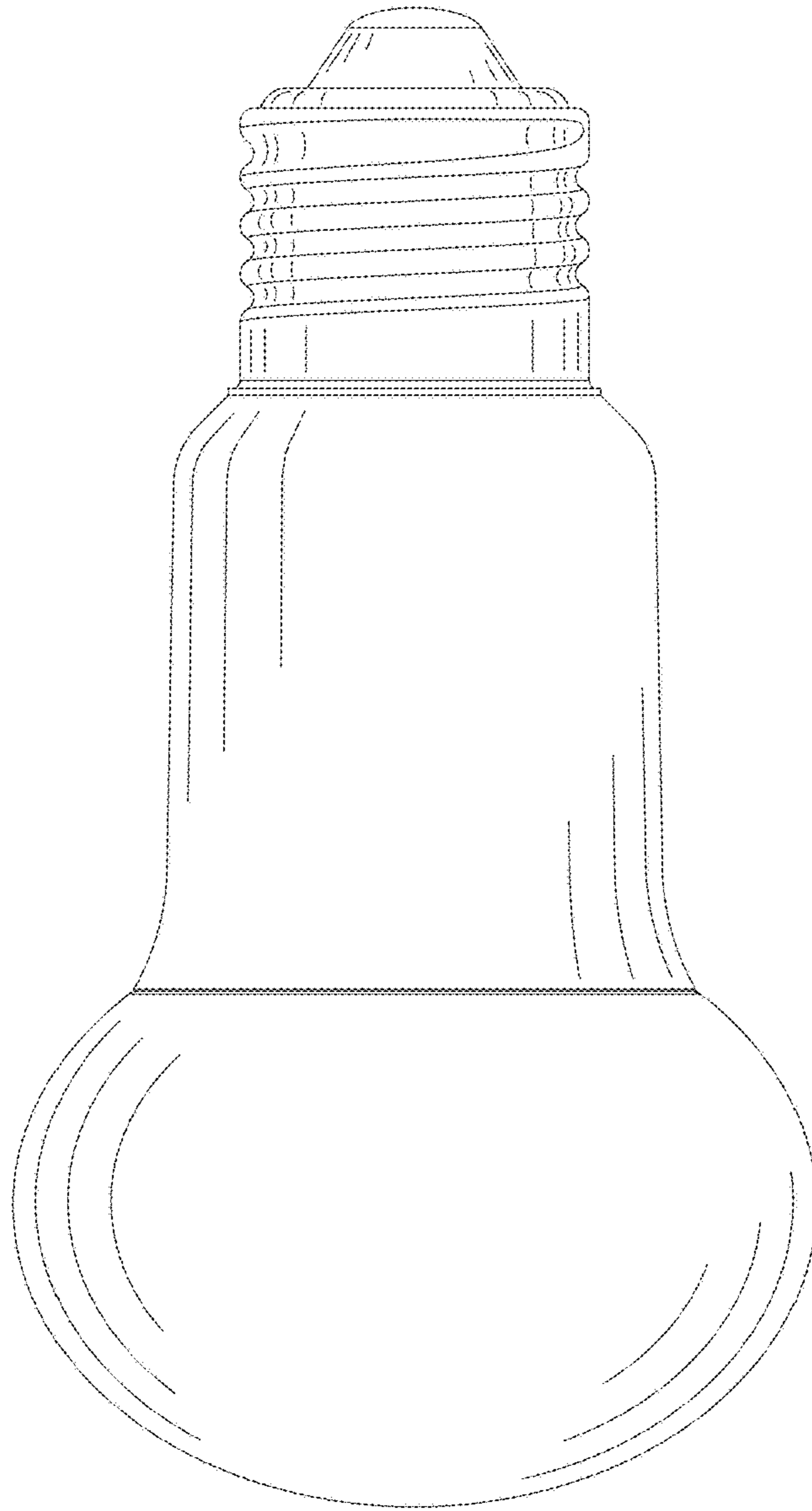


FIG. 2

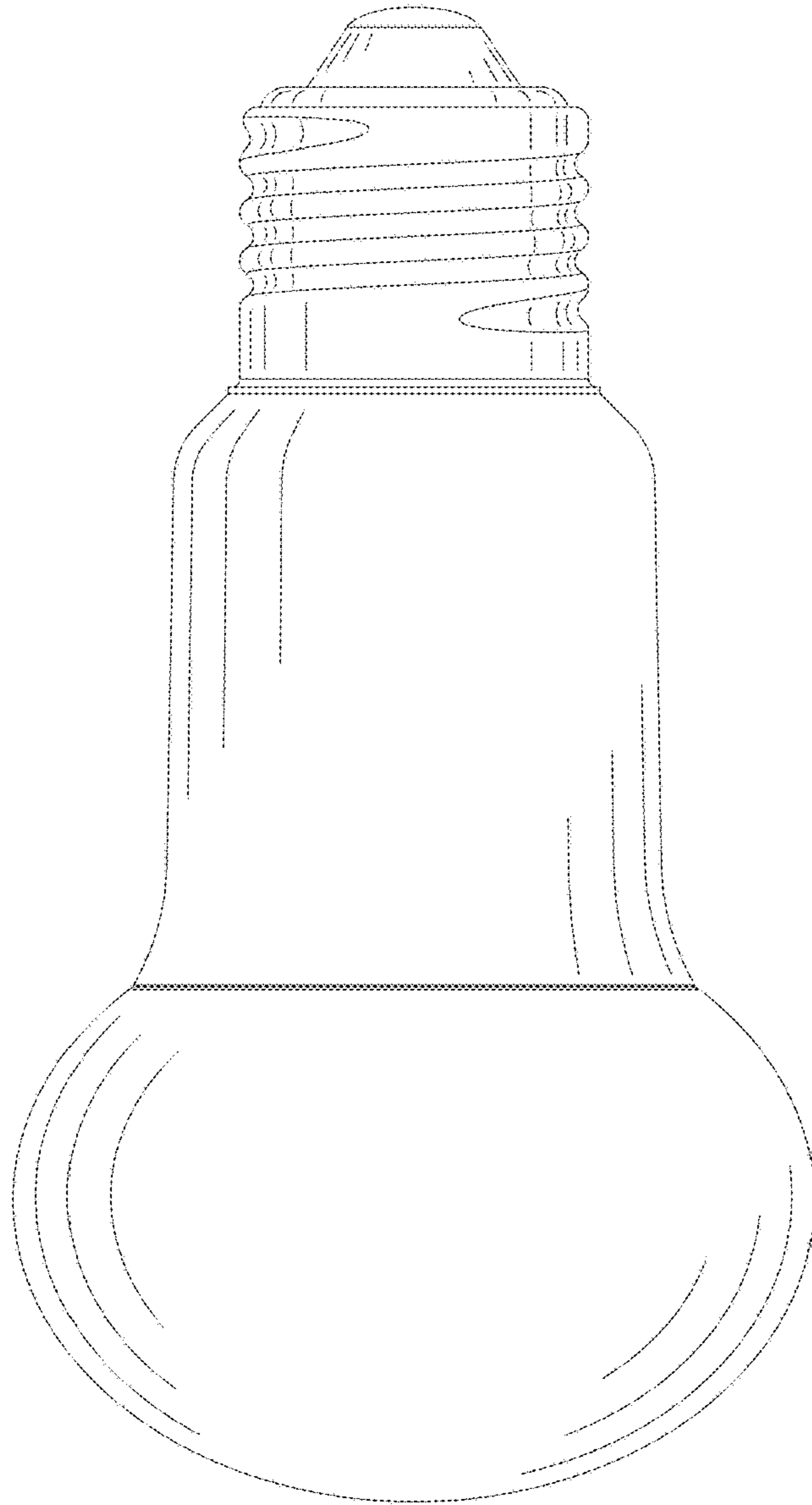


FIG. 3

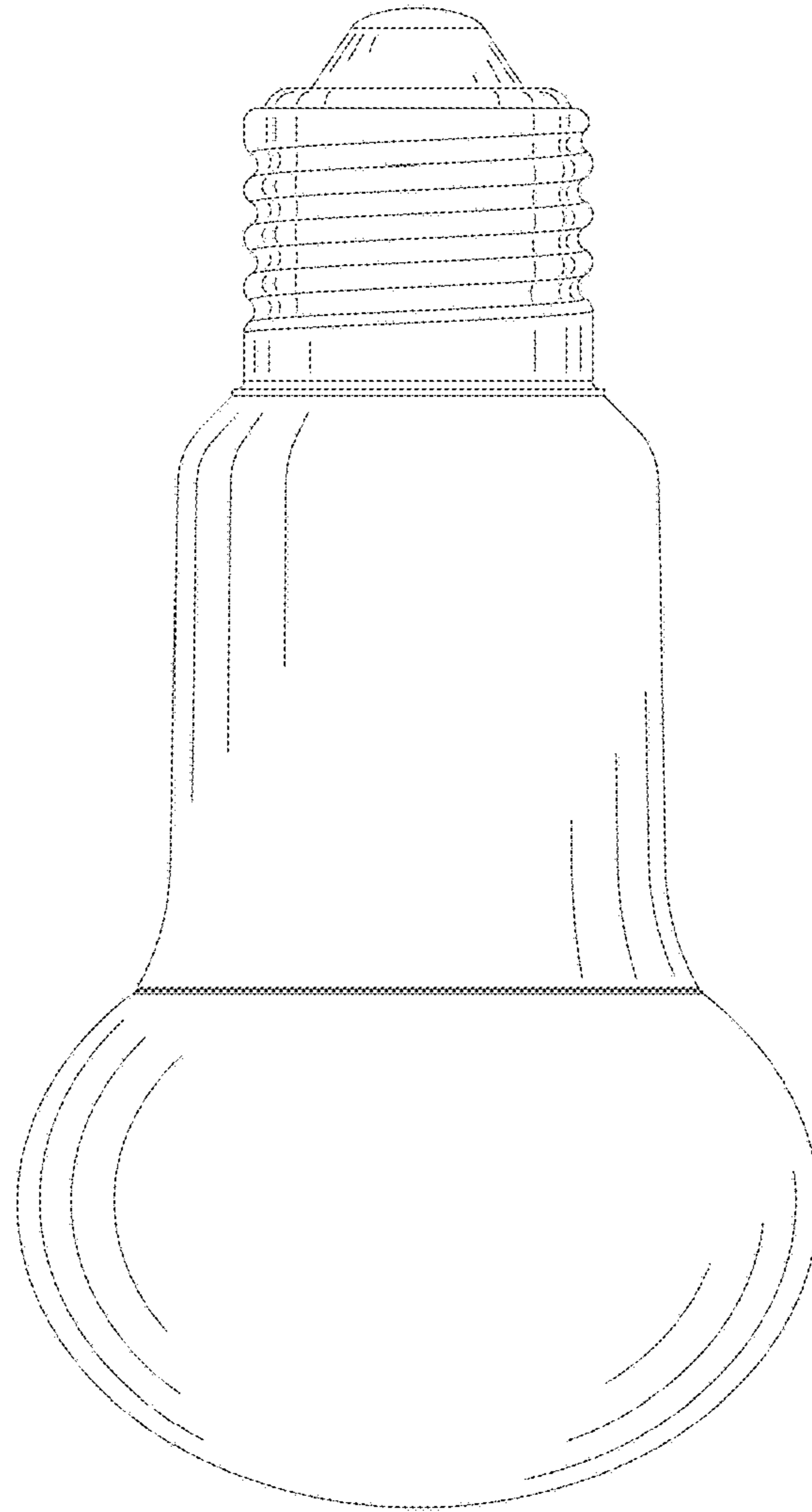


FIG. 4

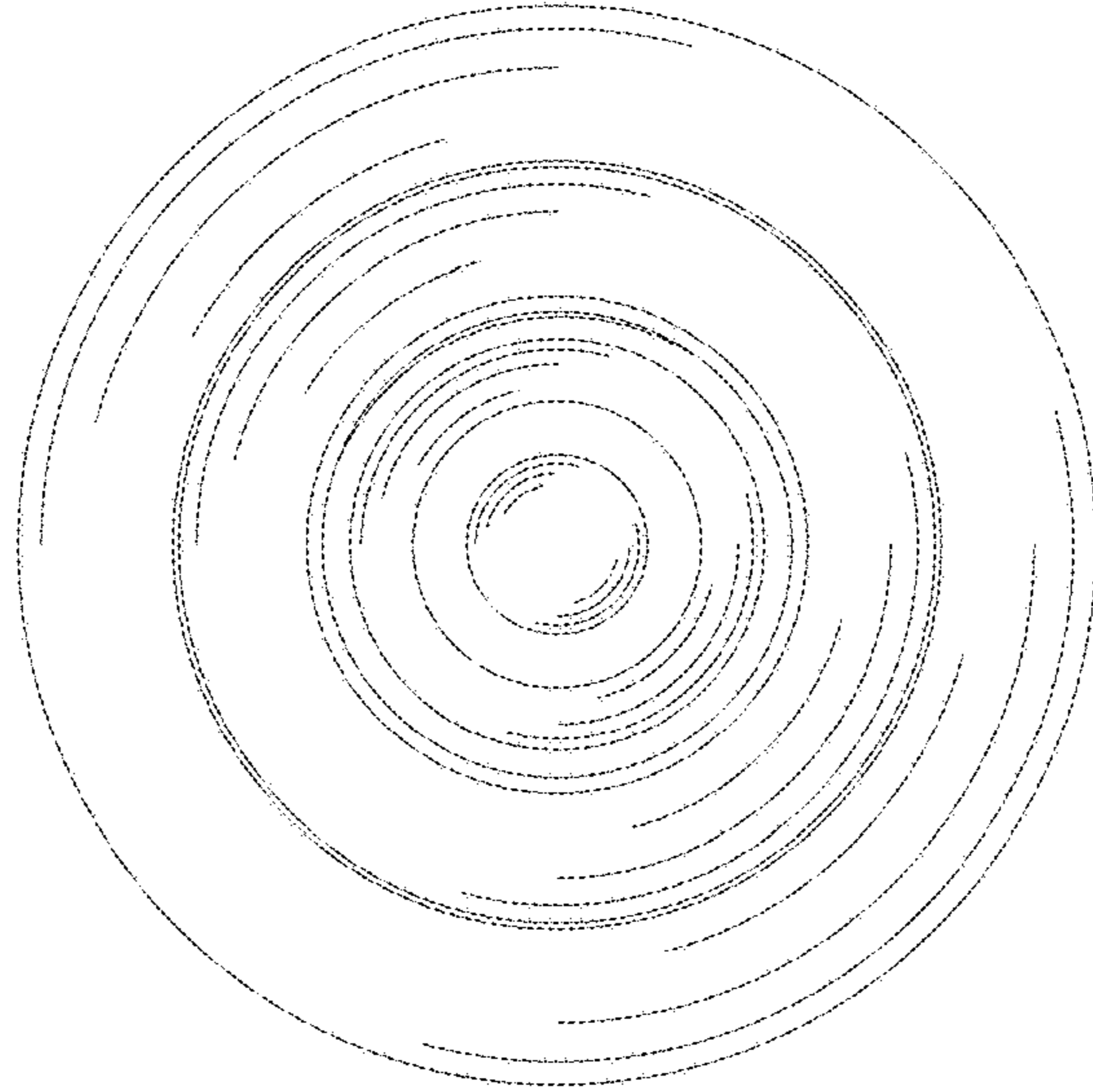


FIG. 5

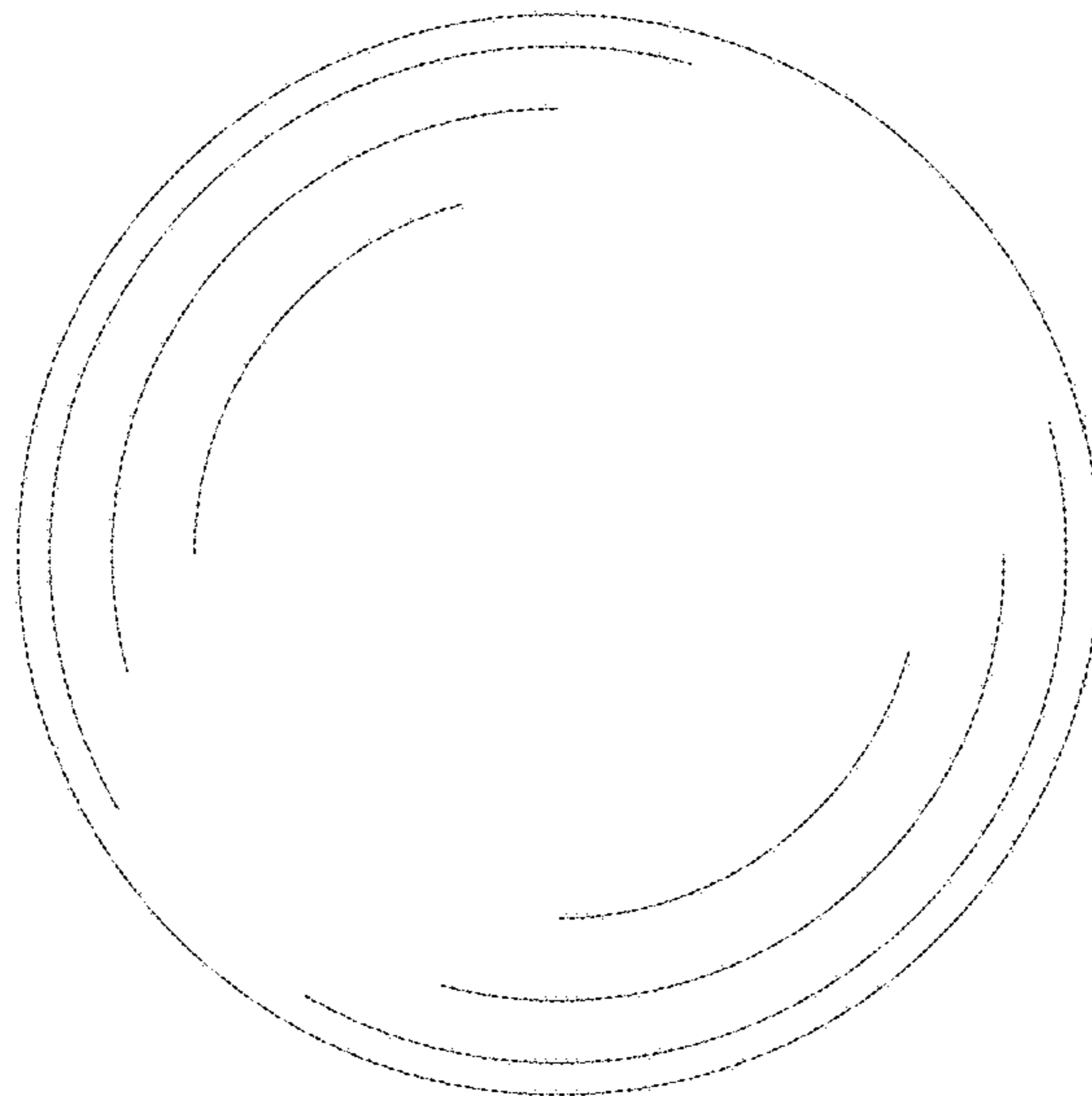


FIG. 6

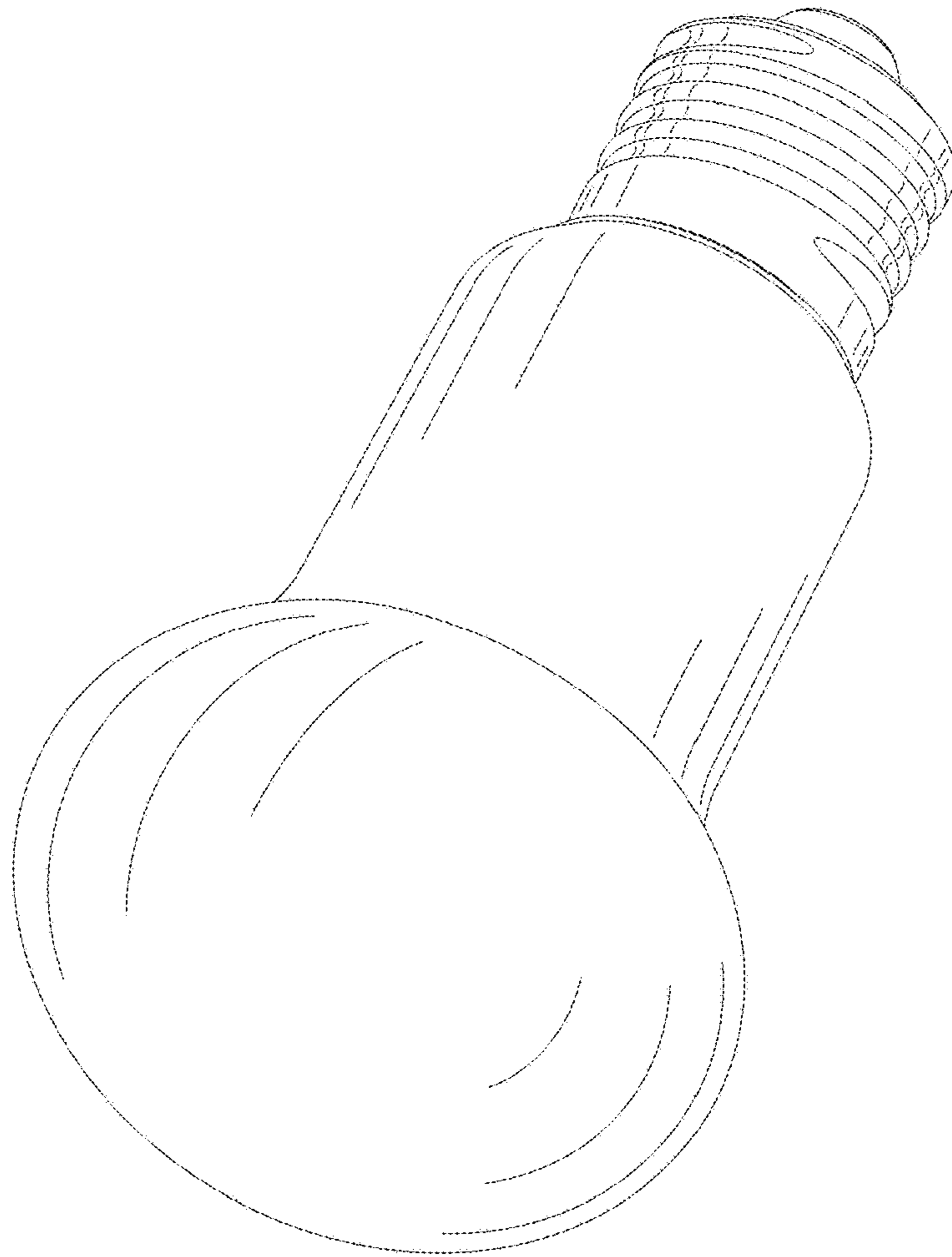


FIG. 7

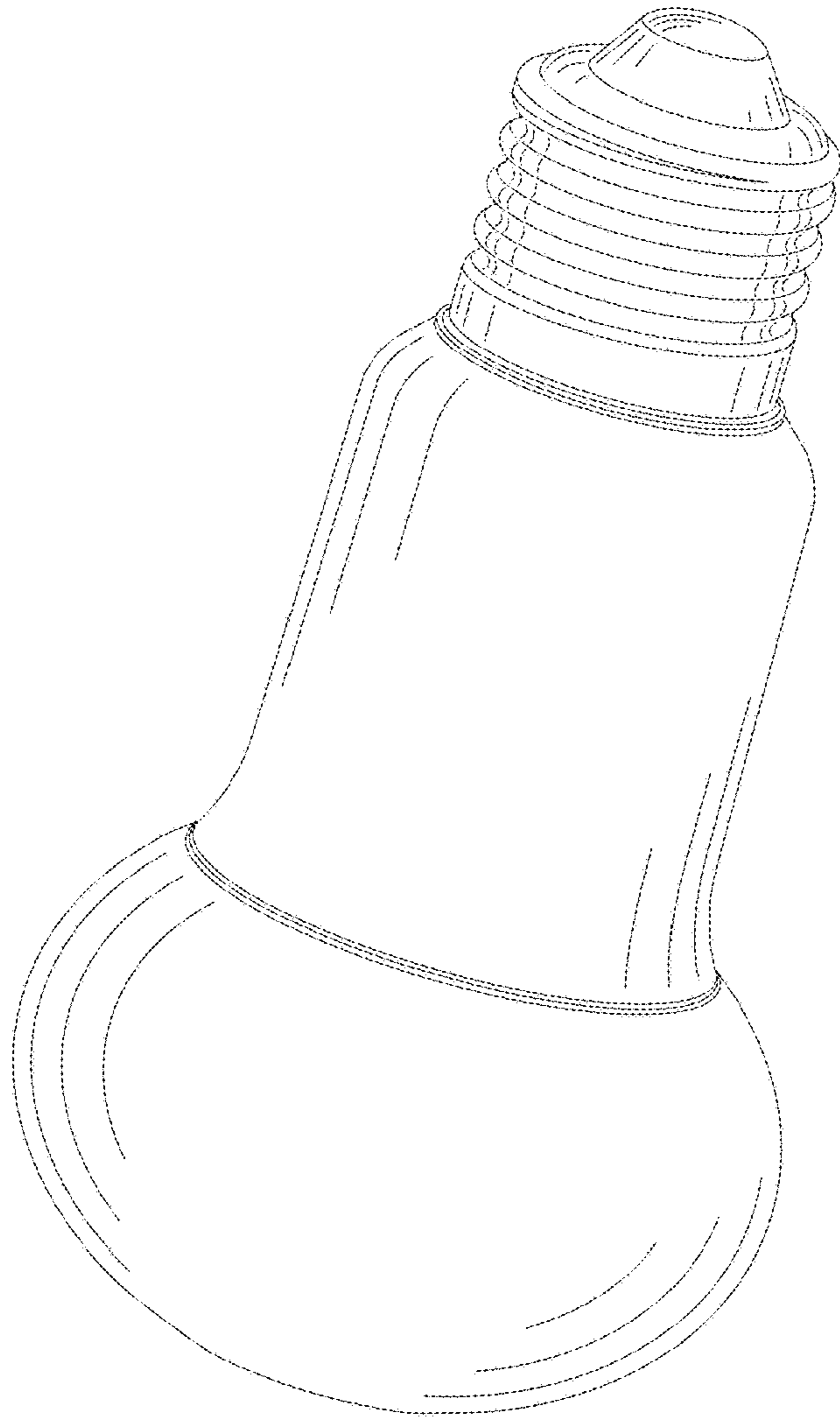


FIG. 8