



US00D850662S

(12) **United States Design Patent**
Noël et al.

(10) **Patent No.:** **US D850,662 S**

(45) **Date of Patent:** **** Jun. 4, 2019**

(54) **BERM CONTAINMENT DEVICE**

(71) Applicants: **670988 NB Inc.**, Tracadie-Sheila (CA);
GSM Solutions Inc., Edmonton (CA)

(72) Inventors: **Marcel Noël**, Edmonton (CA); **Neri Jean**, Tracadie-Sheila (CA)

(73) Assignee: **670988 NB INC.**, Tracadie-Sheila (CA)

(**) Term: **15 Years**

(21) Appl. No.: **29/599,193**

(22) Filed: **Mar. 31, 2017**

(51) **LOC (11) Cl.** **25-01**

(52) **U.S. Cl.**
USPC **D25/199; D23/202**

(58) **Field of Classification Search**
USPC D12/608; D15/150, 152, 199; D23/200,
D23/202; D25/2, 38.1, 119, 125, 126,
(Continued)

(56) **References Cited**

U.S. PATENT DOCUMENTS

2,391,997 A 1/1946 Noble
3,087,279 A * 4/1963 Thompson A01G 9/28
47/33

(Continued)

FOREIGN PATENT DOCUMENTS

CA 1222166 A 5/1987
CA 2174705 C 1/1999

(Continued)

OTHER PUBLICATIONS

<https://www.saferack.com/product/high-capacity-spill-containment-walls/> May 2017 (Year: 2017).*

(Continued)

Primary Examiner — Leanne Was-Englehart

(74) *Attorney, Agent, or Firm* — Bereskin & Parr
LLP/S.E.N.C.R.L., s.r.l.

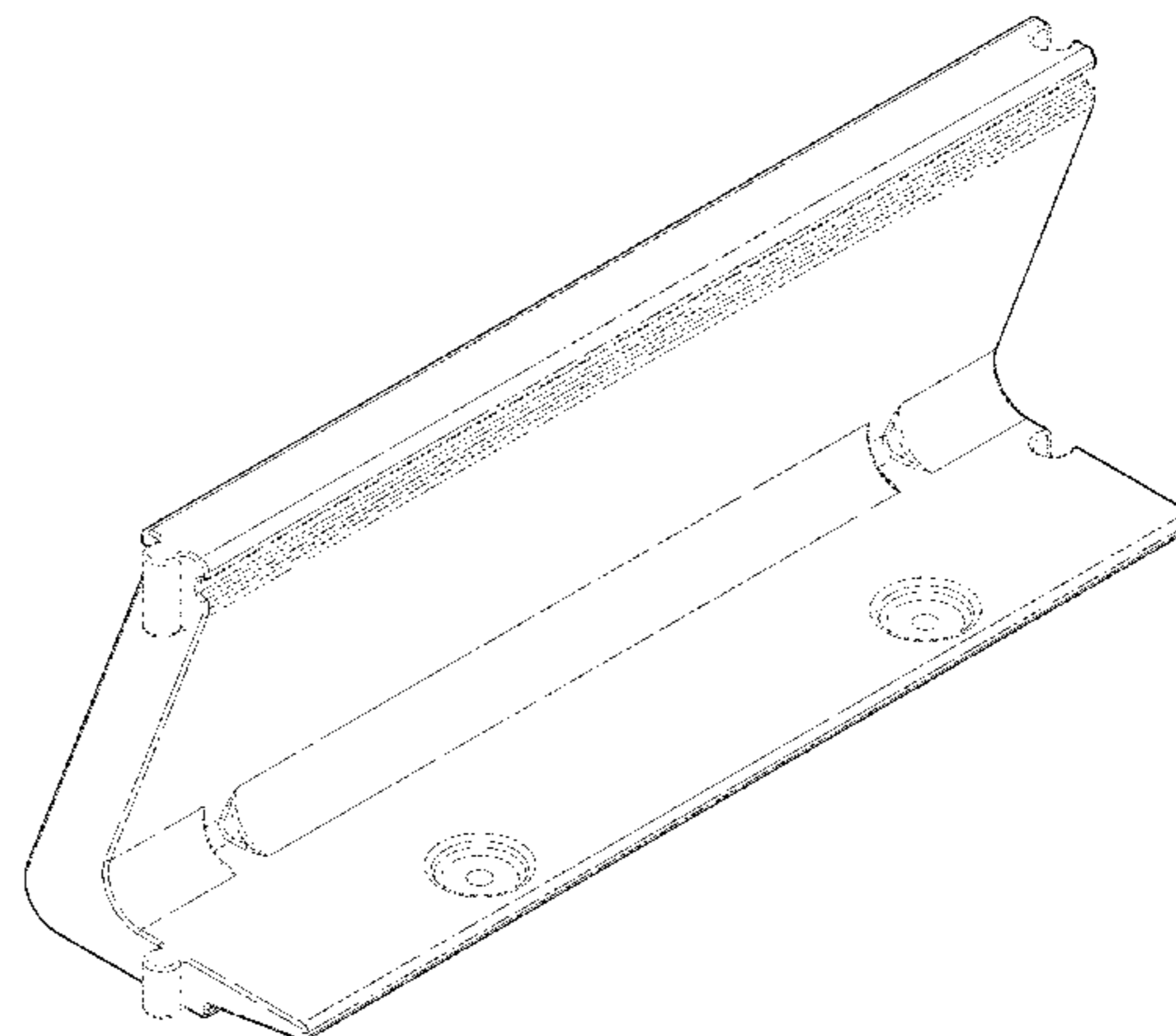
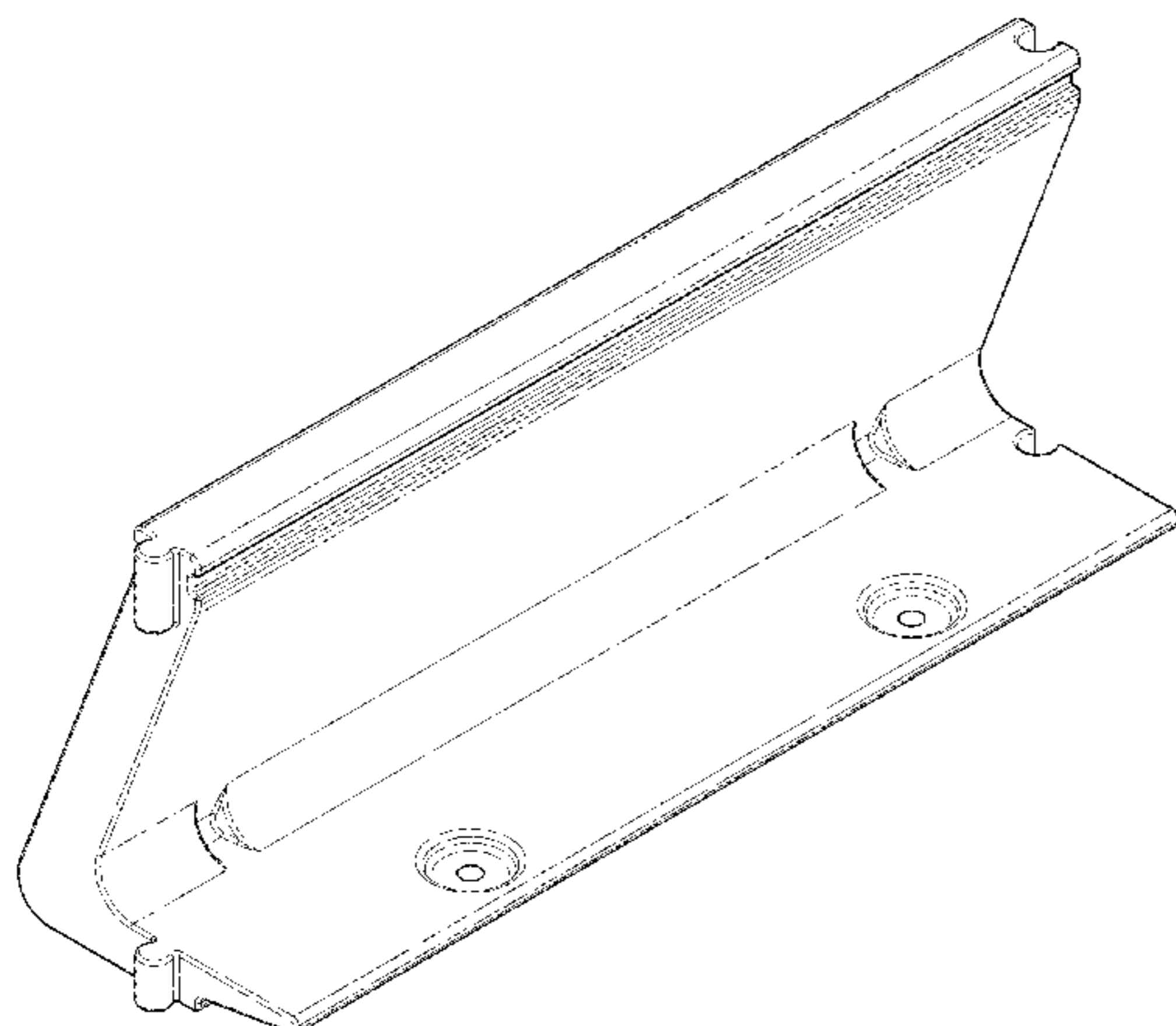
(57) **CLAIM**

The ornamental design for a berm containment device, as shown and described.

DESCRIPTION

FIG. 1 is a back, top, right side perspective view of a first embodiment of a berm containment device;
FIG. 2 is a front, bottom, left side perspective view of the berm containment device of FIG. 1;
FIG. 3 is a left side view of the berm containment device of FIG. 1;
FIG. 4 is a right side view of the berm containment device of FIG. 1;
FIG. 5 is a front view of the berm containment device of FIG. 1;
FIG. 6 is a back view of the berm containment device of FIG. 1;
FIG. 7 is a top view of the berm containment device of FIG. 1;
FIG. 8 is a bottom view of the berm containment device of FIG. 1;
FIG. 9 is a back, top, right side perspective view of a second embodiment of a berm containment device;
FIG. 10 is a front, bottom, left side perspective view of the berm containment device of FIG. 9;
FIG. 11 is a left side view of the berm containment device of FIG. 9;
FIG. 12 is a right side view of the berm containment device of FIG. 9;
FIG. 13 is a front view of the berm containment device of FIG. 9;
FIG. 14 is a back view of the berm containment device of FIG. 9;
FIG. 15 is a top view of the berm containment device of FIG. 9; and,
FIG. 16 is a bottom view of the berm containment device of FIG. 9.

(Continued)



The dashed broken lines in the drawings are portions of the berm containment device that form no part of the claimed design.

1 Claim, 14 Drawing Sheets

(58) Field of Classification Search

USPC D25/136, 158, 163, 164, 199; D32/40, D32/45; D34/6
 CPC E01C 5/14; E01C 5/18; E01C 5/20; E01C 5/22; E01C 5/005; E01C 9/08; B32B 3/02; B32B 3/18; B32B 3/266; A01K 1/0157; B60B 39/12; A47L 23/24; E04F 15/10; E04F 15/02016; H01H 3/141; E02B 7/20; G01M 3/04; G01M 3/186; F16N 31/006; Y10T 137/5762

See application file for complete search history.

(56) References Cited

U.S. PATENT DOCUMENTS

3,407,713	A	10/1968	Heckman	
3,694,983	A	10/1972	Couquet	
3,739,423	A *	6/1973	Denton	A47G 27/0456
				16/10
D232,433	S *	8/1974	Scourtes	D25/125
D242,622	S *	12/1976	Ito	D25/164
D243,094	S *	1/1977	Ito	D25/164
D245,879	S	9/1977	Morrison	
4,468,910	A	9/1984	Morrison	
4,507,011	A	3/1985	Brown	
4,629,358	A	12/1986	Springston et al.	
D292,474	S *	10/1987	Young	D25/164
5,270,089	A *	12/1993	Alston	F16N 31/006
				15/215
5,567,259	A *	10/1996	Gregory	B08B 17/00
				156/242
5,653,551	A	8/1997	Seaux	
5,807,021	A	9/1998	Aaron	
5,924,461	A *	7/1999	Shaw	F16N 31/006
				141/86
6,059,491	A *	5/2000	Striefel	E01F 15/086
				256/13.1
D435,303	S *	12/2000	Peppard	D25/113
6,511,257	B1	1/2003	Seaux et al.	
6,652,183	B2	11/2003	Stasiewich et al.	
6,685,388	B2	2/2004	Webster et al.	
6,695,527	B2	2/2004	Seaux et al.	
6,880,721	B1 *	4/2005	Barrett	F16N 31/006
				220/573
6,954,975	B2	10/2005	Dolinski	
D524,952	S	7/2006	Ardern	
7,303,800	B2	12/2007	Rogers	
7,413,374	B2	8/2008	Rogers et al.	
7,434,364	B2	10/2008	MacDermott et al.	
D581,553	S	11/2008	Cooper	
7,445,403	B2 *	11/2008	Williams	E02B 3/16
				404/6
7,779,595	B2	8/2010	Polk, Jr.	
D631,977	S *	2/2011	Taylor	D25/38.1
8,091,314	B2	1/2012	Polk, Jr. et al.	
D667,144	S	9/2012	Else	
8,313,265	B2 *	11/2012	Taylor	E02B 3/108
				256/13
8,414,217	B2	4/2013	Rosan	
D696,791	S *	12/2013	Taylor	D25/38.1
8,636,445	B1 *	1/2014	Williams	B65D 90/24
				220/9.4
8,936,374	B1	1/2015	Royse	

D734,504	S *	7/2015	Whiteley	D25/133
9,133,598	B2 *	9/2015	Hsu	E02D 31/002
D745,643	S *	12/2015	Rowton	D23/267
9,249,570	B2	2/2016	Jean	
9,303,816	B1 *	4/2016	Browning	F16N 31/006
9,337,586	B2	5/2016	McDowell et al.	
9,506,255	B1	11/2016	Jones et al.	
9,605,392	B2	3/2017	Edwards, Jr. et al.	
RE46,531	E *	9/2017	Oren	D23/202
9,822,493	B2 *	11/2017	Penland, Jr.	E01C 9/086
D809,029	S *	1/2018	Klein	D15/138
10,016,076	B2 *	7/2018	Frazier	A47B 97/00
10,060,079	B2 *	8/2018	Wilson	E01C 9/086
2004/0208703	A1 *	10/2004	Arsenault	F16N 31/006
				405/36
2007/0102243	A1	5/2007	Ruminski	
2009/0266022	A1	10/2009	Lin	
2010/0205899	A1	8/2010	Califano	
2012/0266549	A1	10/2012	Rosan	
2014/0137505	A1	5/2014	Jean	
2014/0283925	A1 *	9/2014	Justus	A61M 1/0001
				137/312
2015/0184351	A1 *	7/2015	Laing	E02B 8/00
				405/52
2016/0032537	A1 *	2/2016	Edwards, Jr.	E01C 5/003
				404/47
2016/0185523	A1 *	6/2016	Starr	F16M 11/2021
				220/7
2016/0281924	A1 *	9/2016	Beak	F16M 11/10
2017/0183879	A1 *	6/2017	Rossi	E04F 19/0481

FOREIGN PATENT DOCUMENTS

CA	2271572	A1	3/1999
CA	2498575	A1	3/2004
CA	2469432	A1	5/2004
CA	2472841	A1	1/2006
CA	114534	*	8/2007
CA	2551042	A1	12/2007
CA	2463306	C	1/2008
CA	2593600	C	10/2009
CA	2407574	C	1/2010
CA	2668108	A1	12/2010
CA	ID144161		4/2013
CA	ID147188		4/2013
EM	002690107-0002	*	5/2015
EP	1845195	A2	10/2007
GB	2104475	*	9/2001
WO	2012145490	A1	10/2012

OTHER PUBLICATIONS

<http://www.xtremematting.com/brochures/2017%20Xtreme%20Matting%20Engineering.pdf> Oct. 25, 2017 (Year: 2017).*

<http://www.xtremematting.com/> Available Sep. 6, 2017 (Year: 2017).*

<http://www.xtremematting.com/brochures/2017%20Xtreme%20Matting%20Catalogue.pdf> Sep. 29, 2017 (Year: 2017).*

http://www.xtremematting.com/index.php?route=product/product&product_id=180 Sep. 7, 2017 (Year: 2017).*

http://www.xtremematting.com/index.php?route=product/product&product_id=181 Sep. 7, 2017 (Year: 2017).*

http://www.xtremematting.com/index.php?route=product/product&product_id=183 Sep. 7, 2017 (Year: 2017).*

All Terrain Road, brochure.

DuraBase Temporary Roads & Mats, Pro-Tec Equipment, website excerpt.

Dura-Base Composite Mat System, Newpark Resources, Inc., website excerpt.

Newpark Mats & Integrated Services, Newpark Resources, Inc., website excerpt.

* cited by examiner

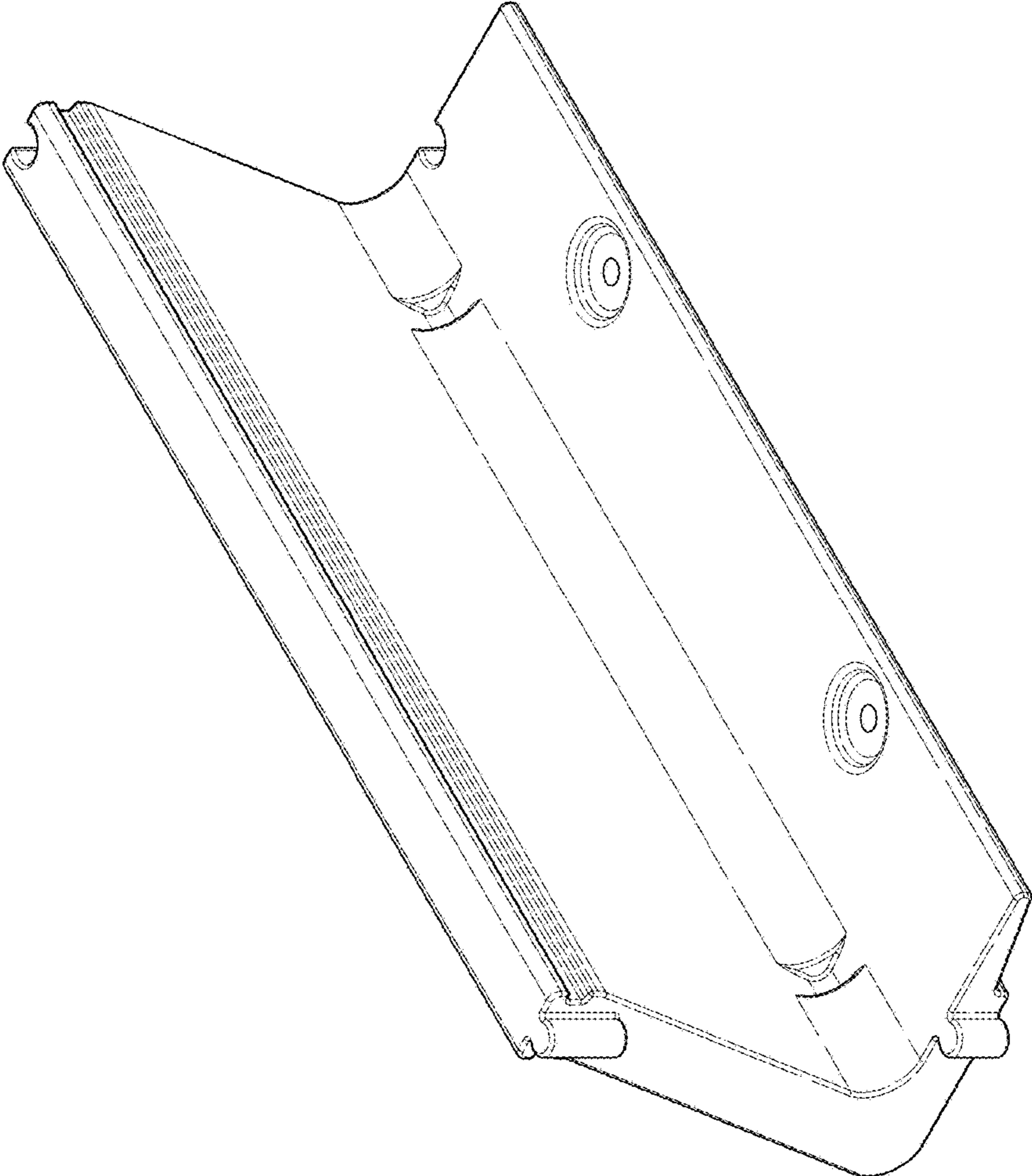


FIG. 1

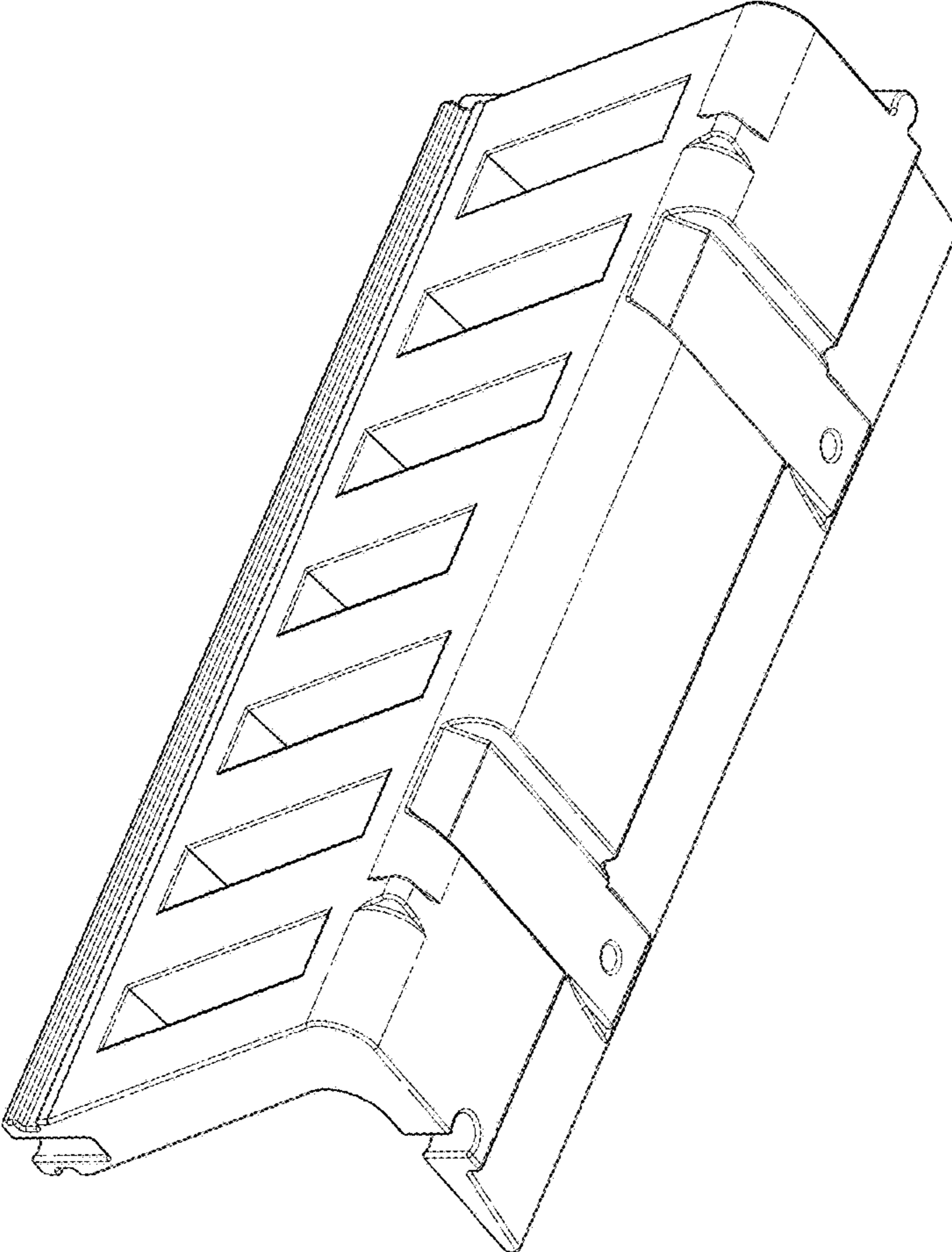


FIG. 2

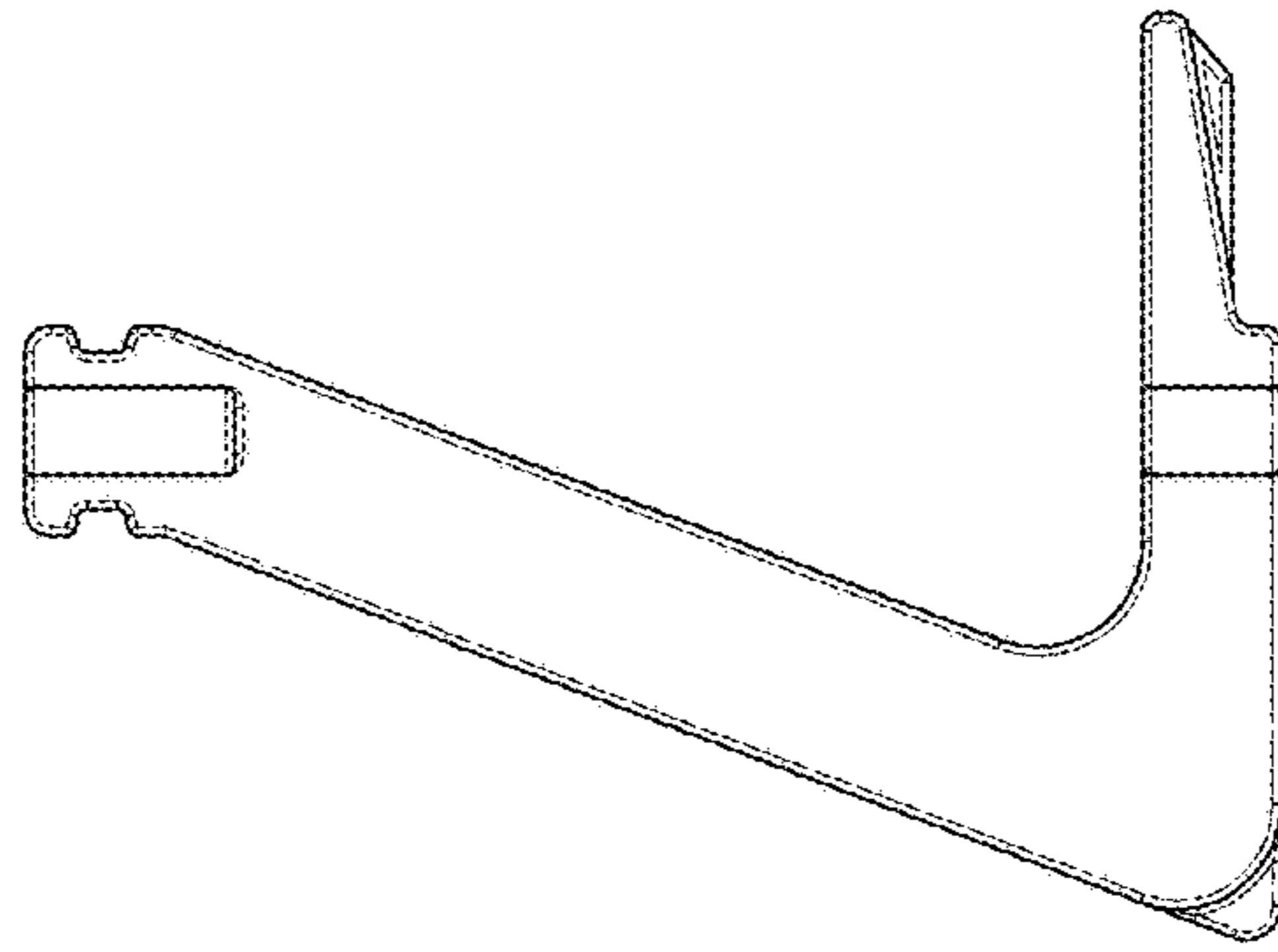


FIG. 4

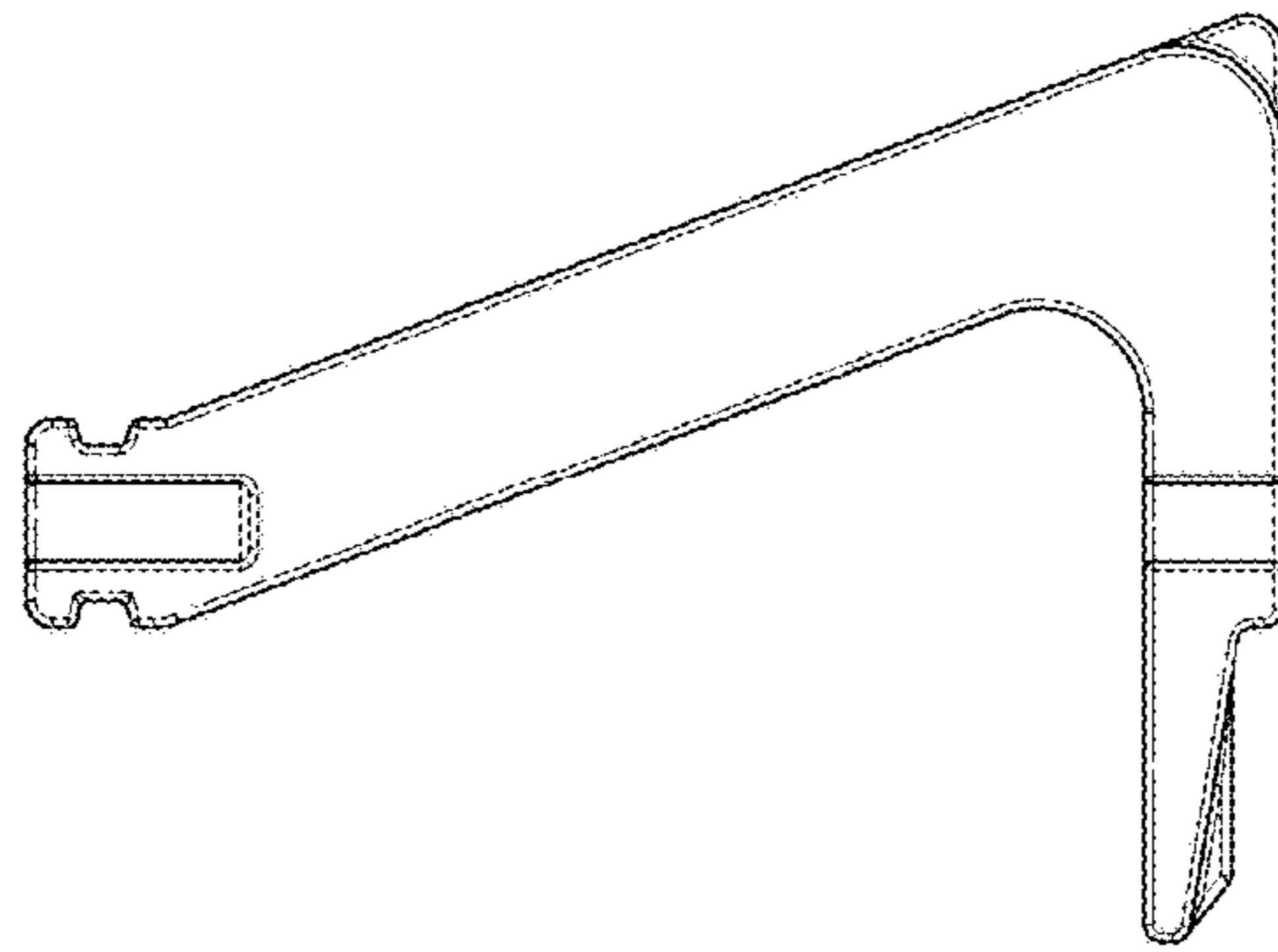


FIG. 3

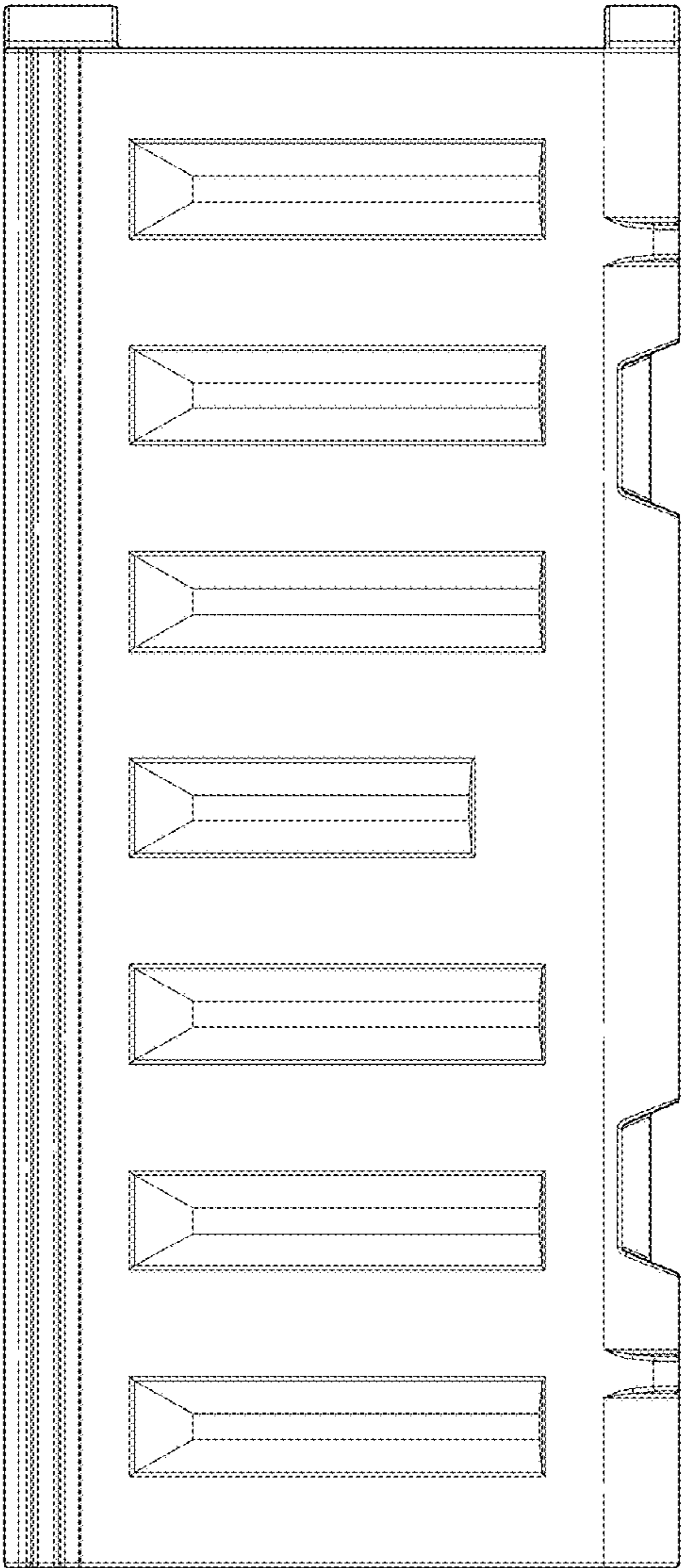


FIG. 5

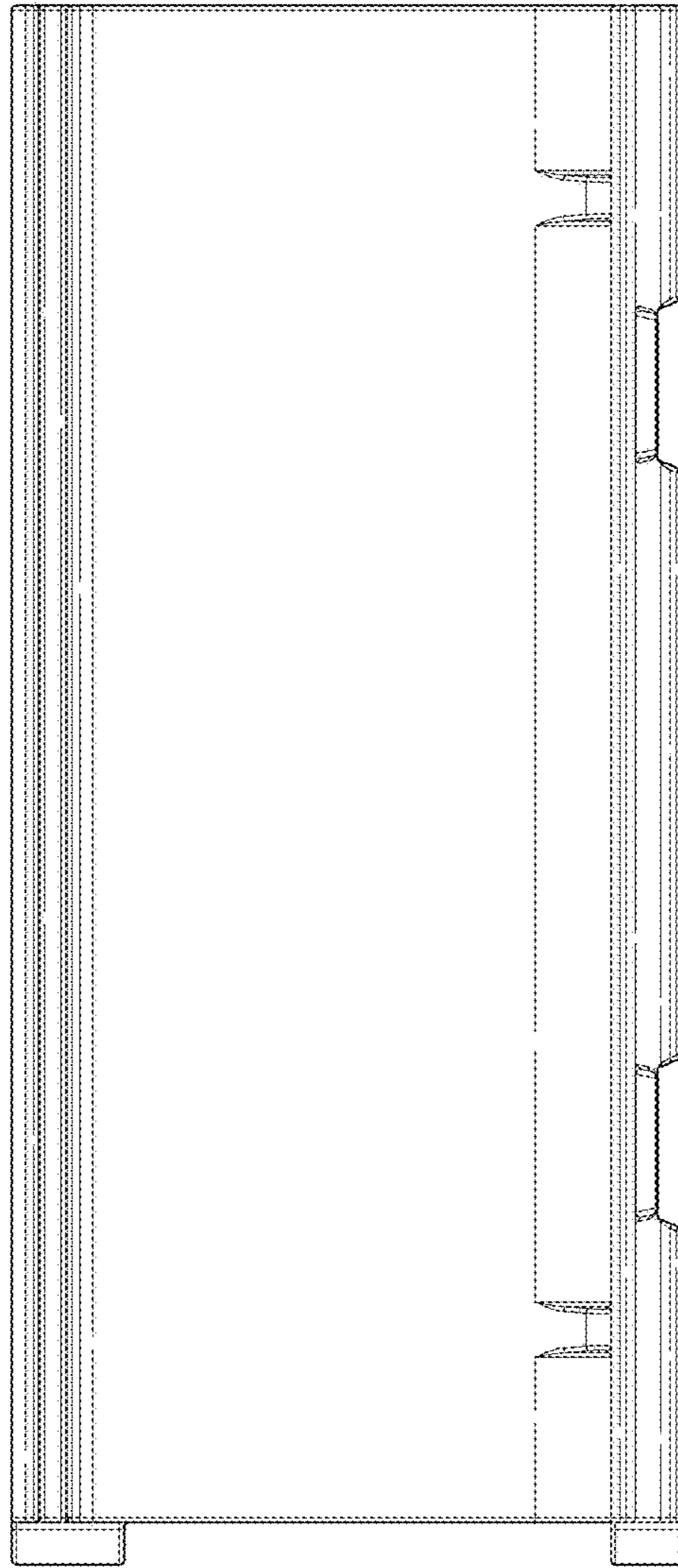


FIG. 6

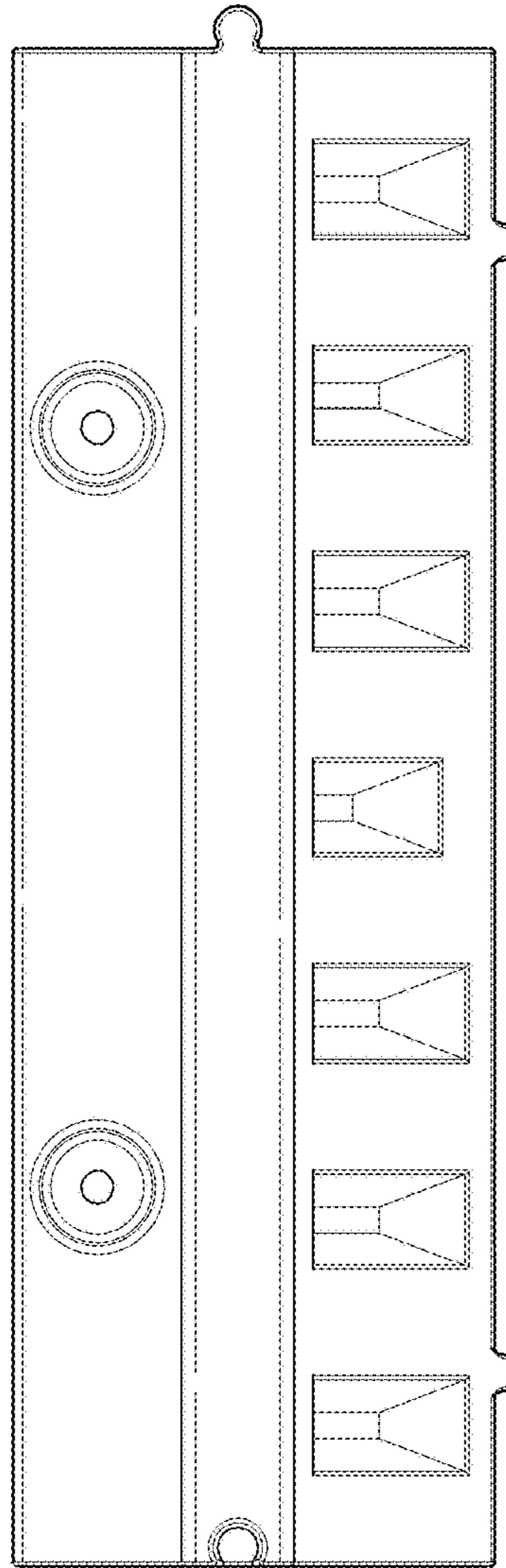


FIG. 7

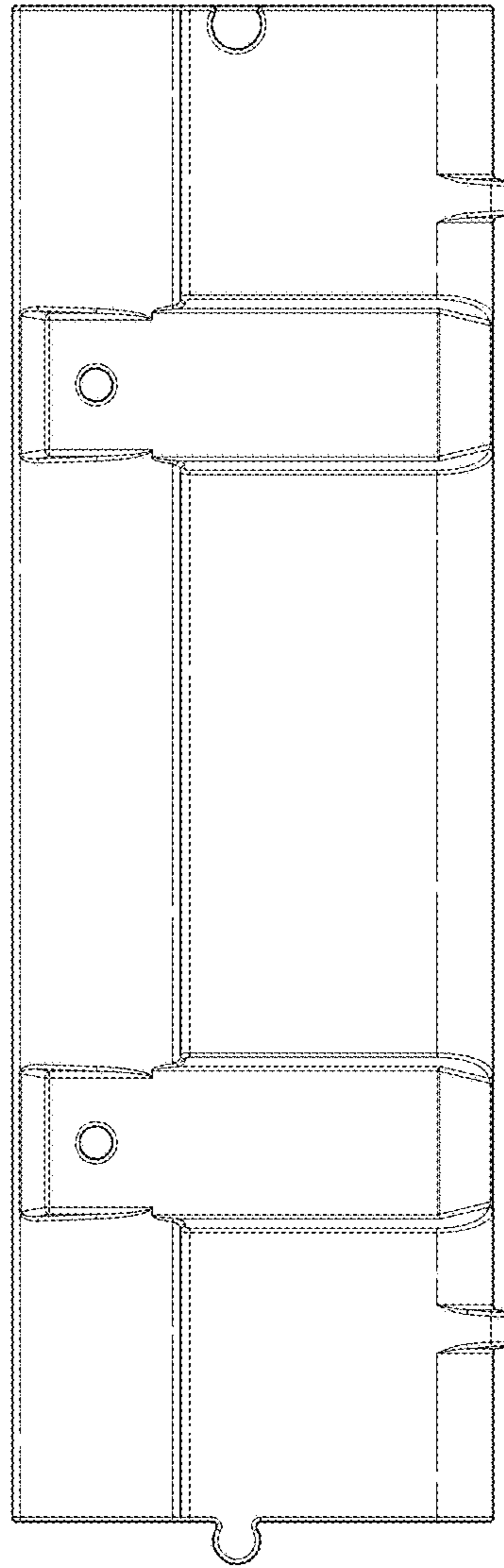


FIG. 8

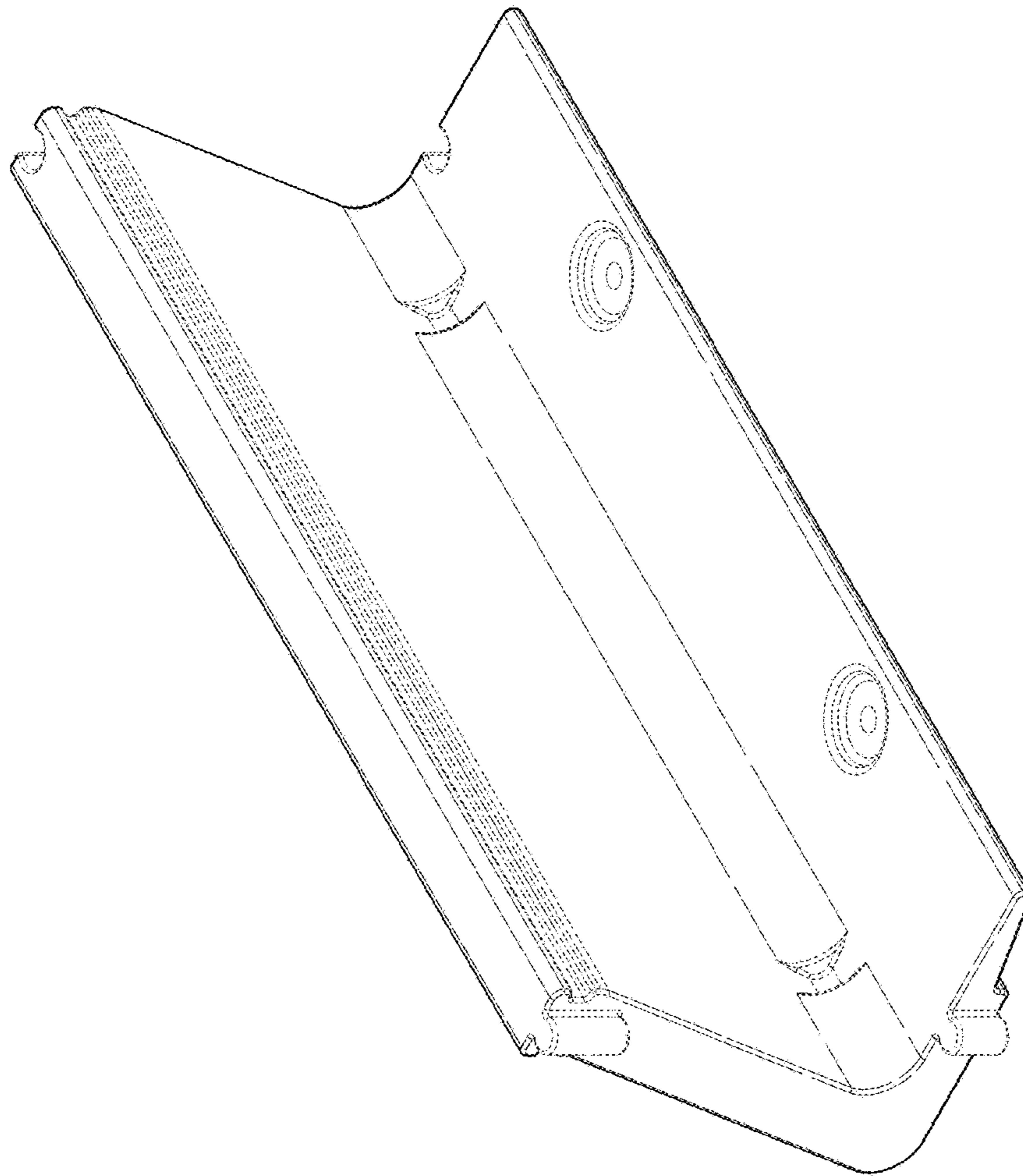


FIG. 9

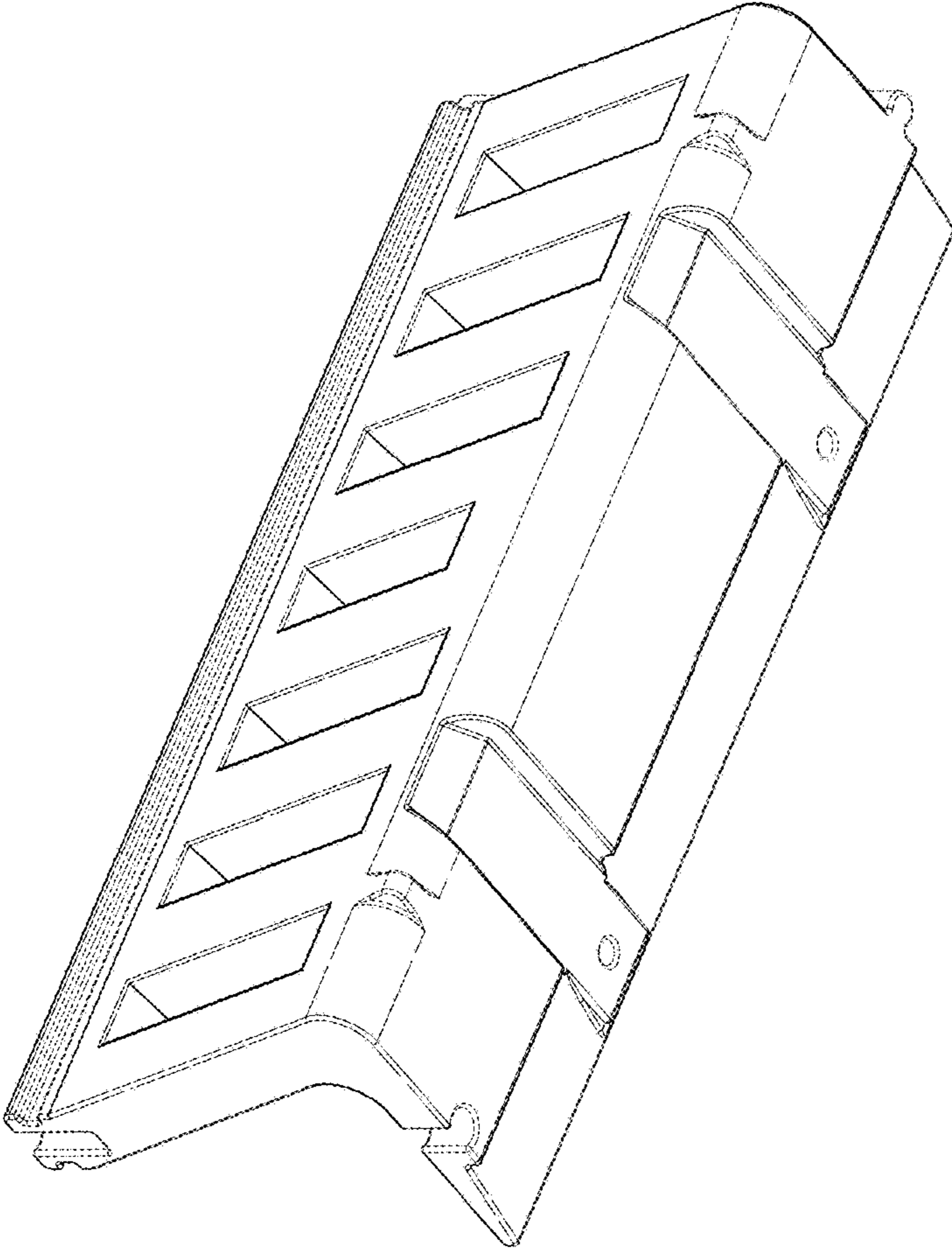


FIG. 10

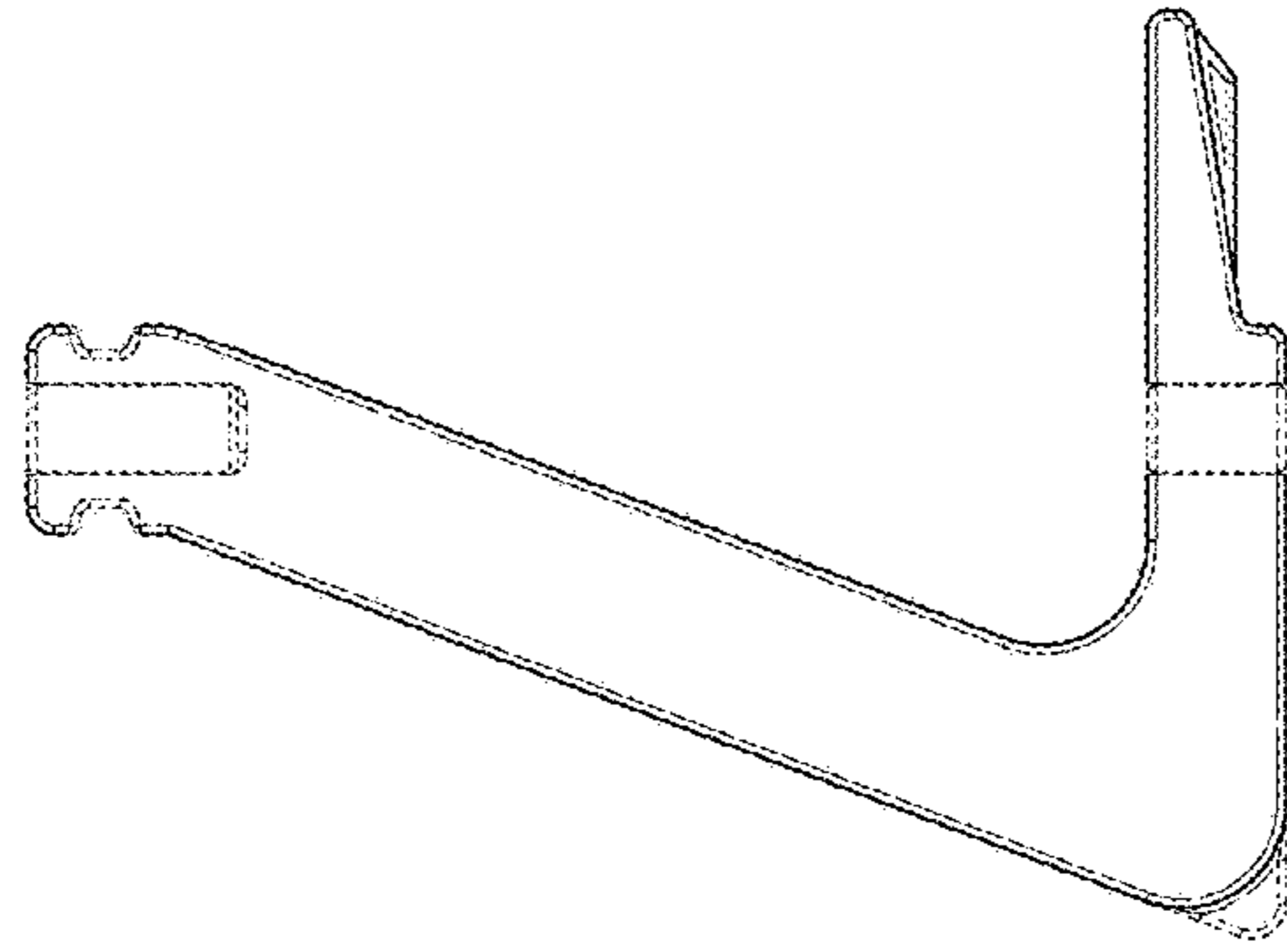


FIG. 12

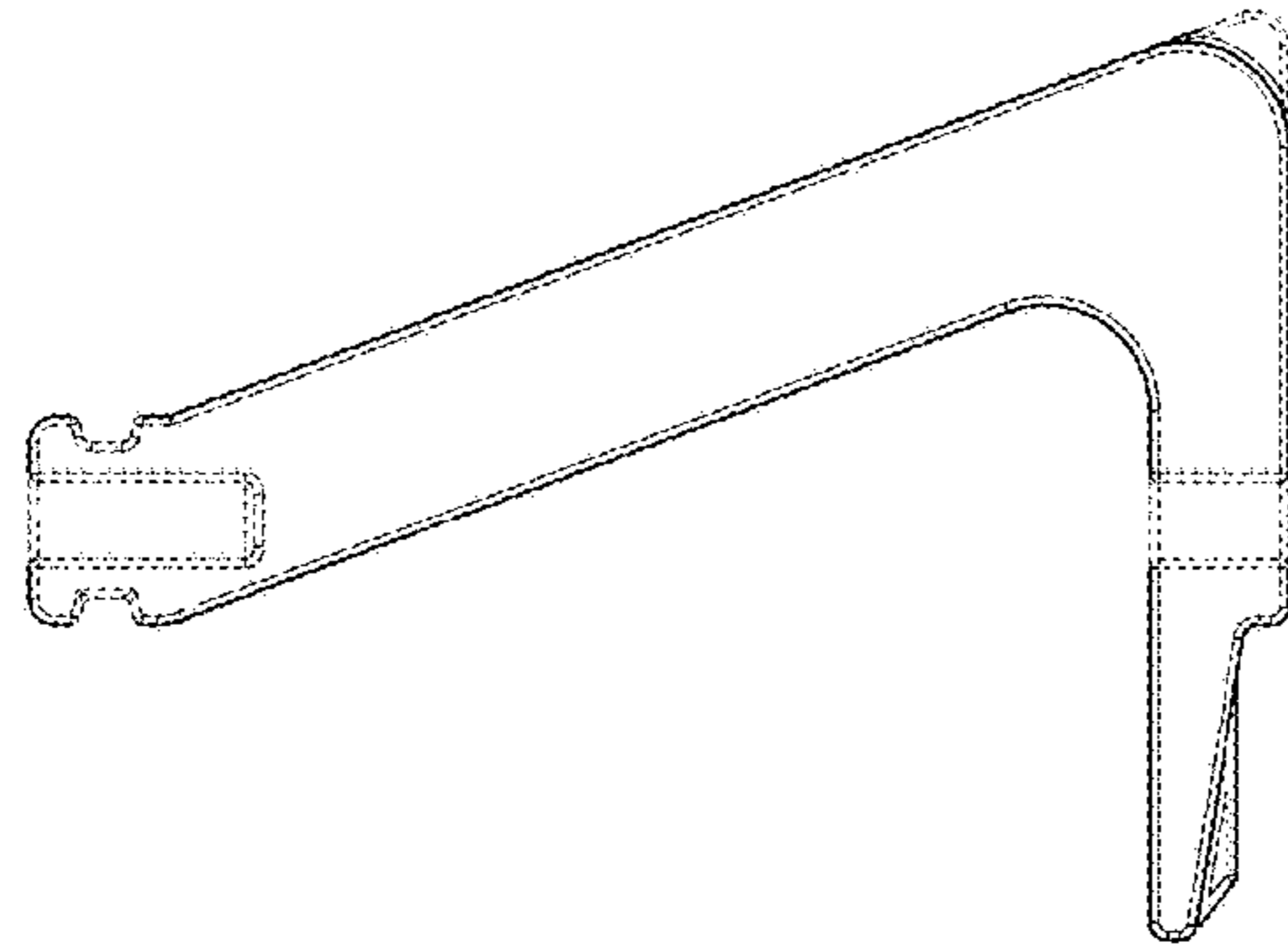


FIG. 11

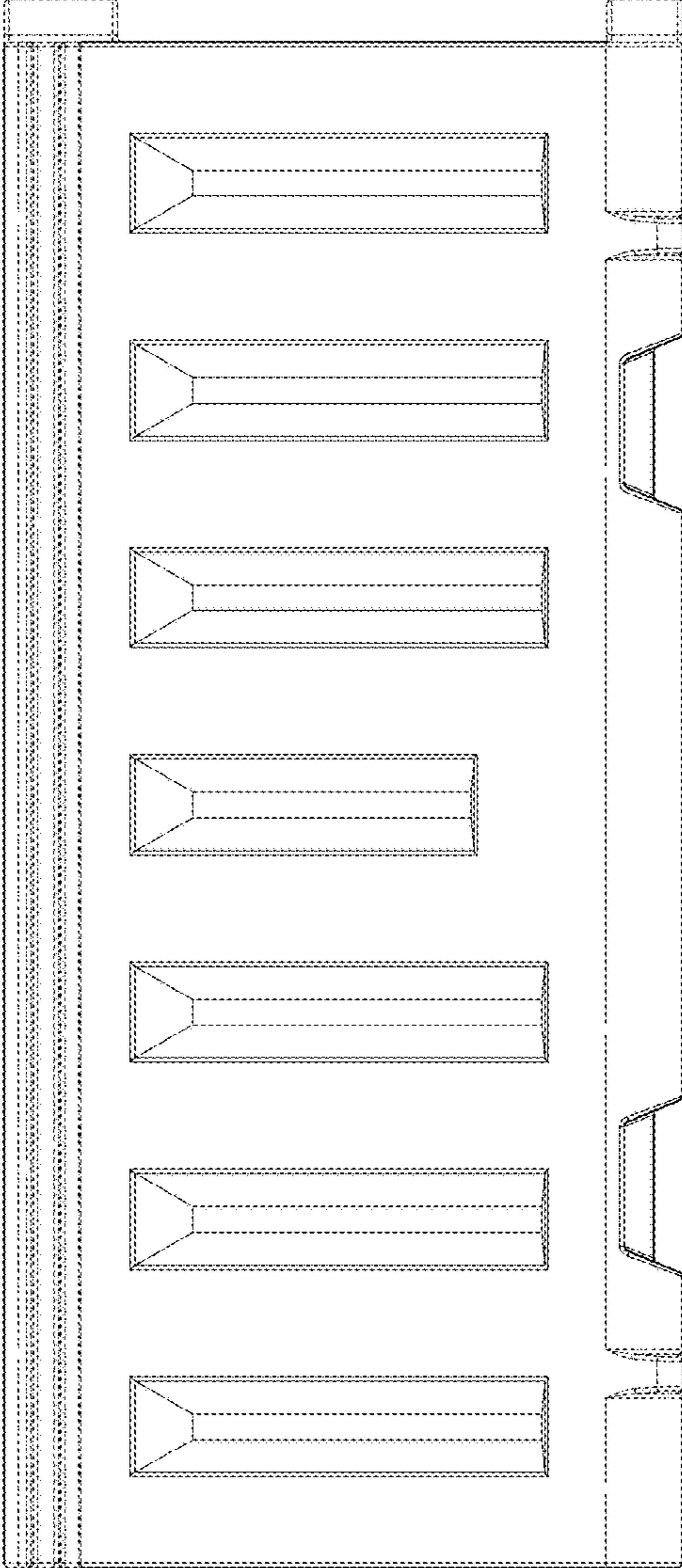


FIG. 13

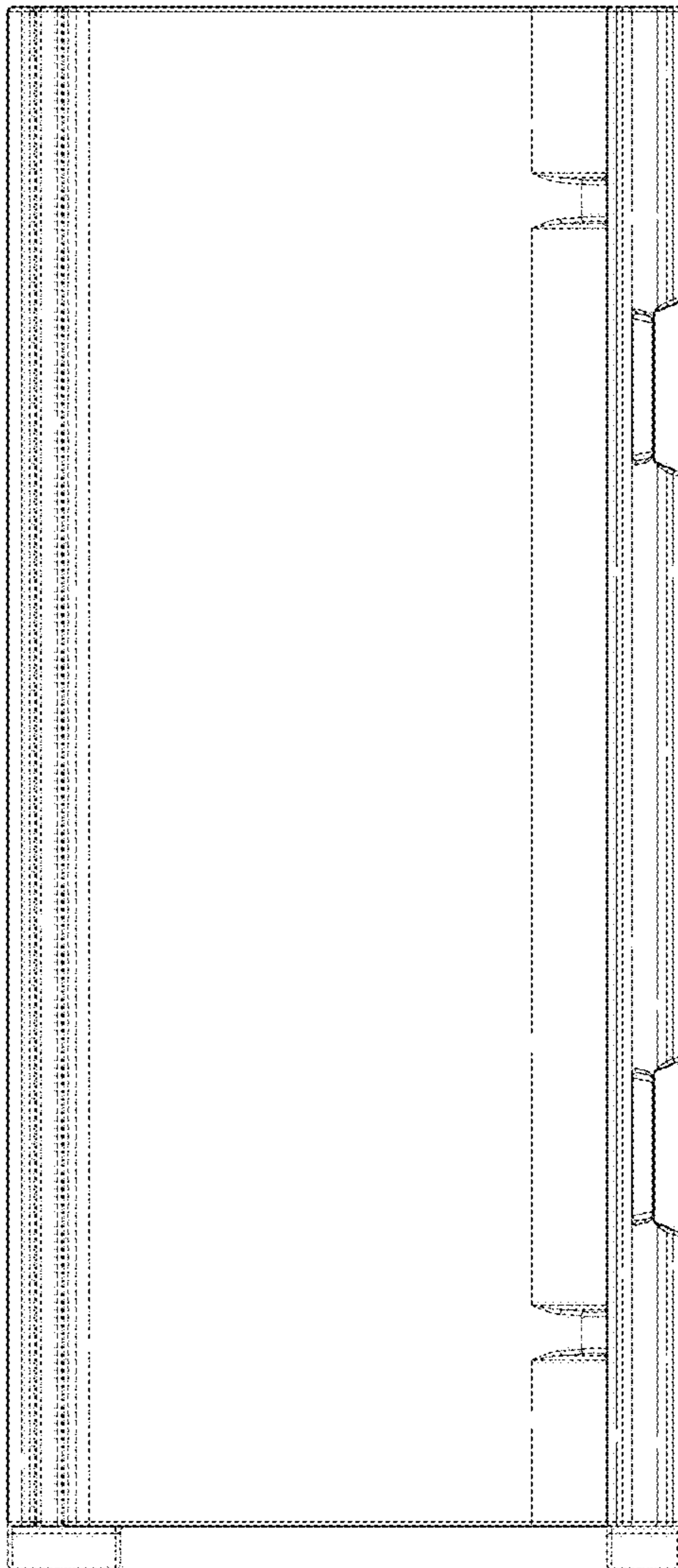


FIG. 14

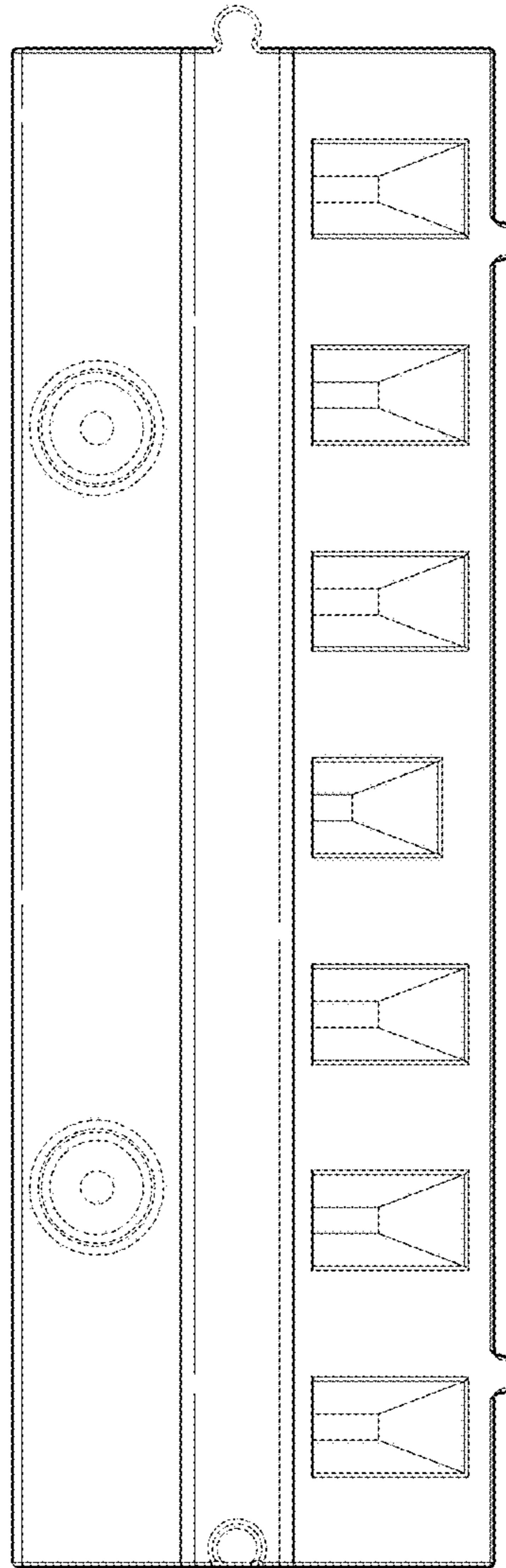


FIG. 15

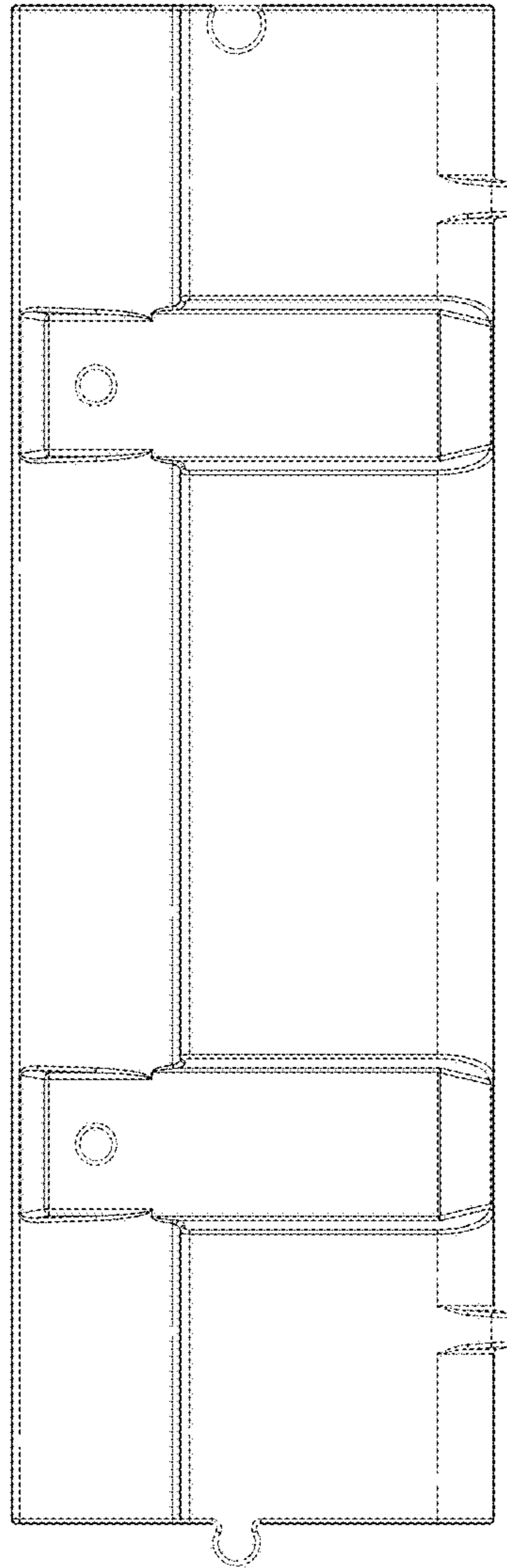


FIG. 16