



US00D850658S

(12) **United States Design Patent**
Hirvesaar

(10) **Patent No.:** **US D850,658 S**

(45) **Date of Patent:** **** Jun. 4, 2019**

(54) **POSTBOX WITH LANDING PLATFORM**

(71) Applicant: **Cleveron AS**, Viljandi (EE)

(72) Inventor: **Lauri Hirvesaar**, Tallinn (EE)

(73) Assignee: **Cleveron AS**, Viljandi (EE)

(**) Term: **15 Years**

(21) Appl. No.: **29/578,195**

(22) Filed: **Sep. 19, 2016**

(51) **LOC (11) Cl.** **25-01**

(52) **U.S. Cl.**
USPC **D25/126**

(58) **Field of Classification Search**

USPC D26/67, 68, 69, 70, 71, 85, 97, 104;
D25/38, 126; 362/145, 153, 153.1, 183,
362/190, 191, 266, 362, 431, 812;
256/22, 65.01; 52/300, 301, 239, 720.1,
52/731.2; D10/113.2; D99/29, 30, 31,
D99/32, 33; D12/16.1, 319, 325, 326,
D12/327, 328, 329-345, 436, 441, 442,
D12/443, 444

CPC E01F 13/046; E01F 9/627; E01F 9/629;
B64C 1/069; B64C 1/06; B64C 27/32;
B64F 1/00

See application file for complete search history.

(56) **References Cited**

U.S. PATENT DOCUMENTS

D414,713 S * 10/1999 Renk D10/113.2
D503,985 S * 4/2005 Sayer D25/126
D571,495 S * 6/2008 Berns D26/68
D589,194 S * 3/2009 Sabernig D26/104
D597,699 S * 8/2009 Flaherty D26/68
D661,832 S * 6/2012 Williams D26/68
D718,241 S * 11/2014 Gretz D13/139.5

D735,362 S * 7/2015 Kurtz D25/126
D814,065 S * 3/2018 Beron D25/126
2009/0320396 A1* 12/2009 Knudsen E04H 12/2269
52/297
2010/0277290 A1* 11/2010 Knudsen E02D 5/226
340/10.52
2015/0158679 A1* 6/2015 Lossov B65G 63/004
414/298
2015/0343494 A1* 12/2015 Lossov B07C 7/02
414/800
2017/0073159 A1* 3/2017 Lossov G05B 19/124
2018/0320326 A1* 11/2018 Gunter E01F 9/654

FOREIGN PATENT DOCUMENTS

WO 2016037219 A1 3/2016

* cited by examiner

Primary Examiner — Cathron C Brooks

Assistant Examiner — Samantha Q Lawrence

(74) *Attorney, Agent, or Firm* — Berggren LLP

(57) **CLAIM**

The ornamental design for a postbox with landing platform, as shown and described.

DESCRIPTION

FIG. 1 is a front perspective view of a postbox with landing platform;

FIG. 2 is a side view thereof;

FIG. 3 is a front perspective view thereof;

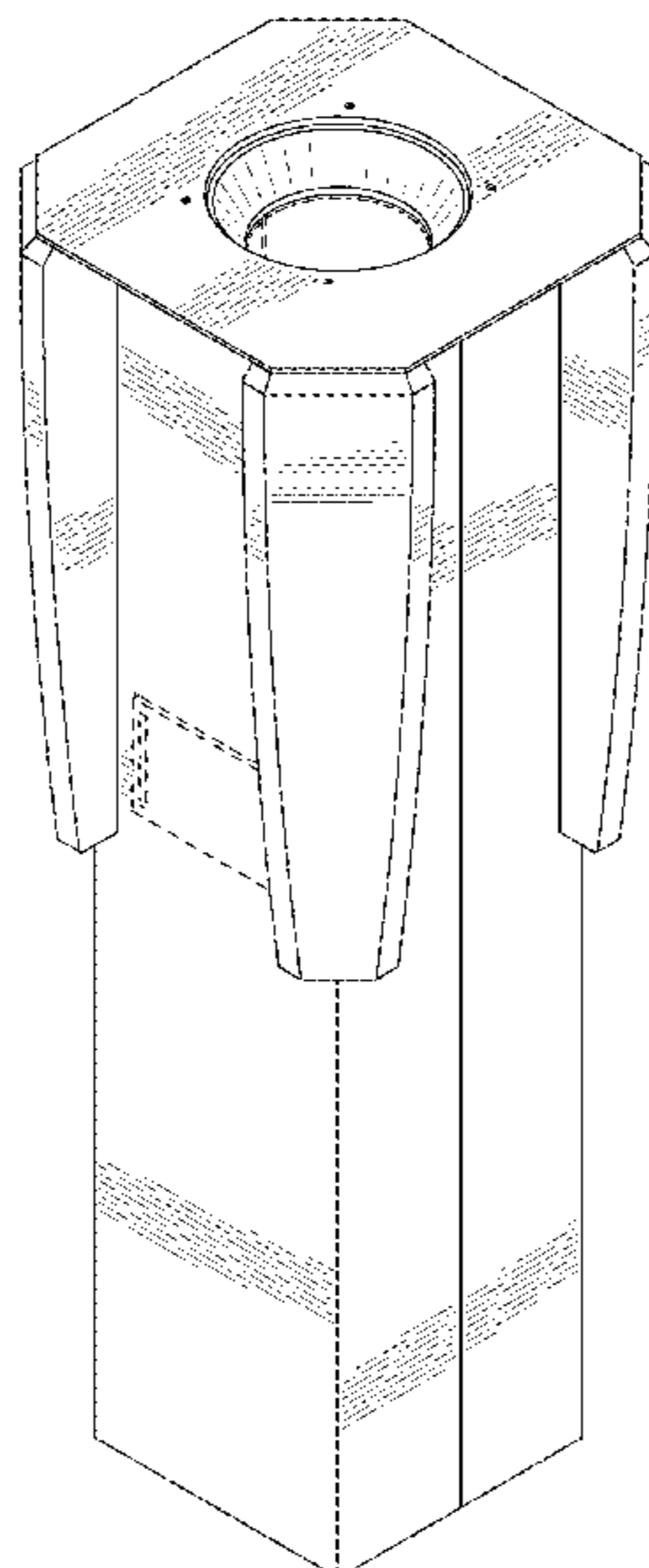
FIG. 4 is a front view thereof; and,

FIG. 5 is a back view thereof.

The broken lines shown in FIGS. 1, 3, and 4 illustrate portions of the postbox with landing platform that form no part of the claimed design.

The dash-dot line in FIG. 1 is a boundary line, and forms no part of the claimed design.

1 Claim, 5 Drawing Sheets



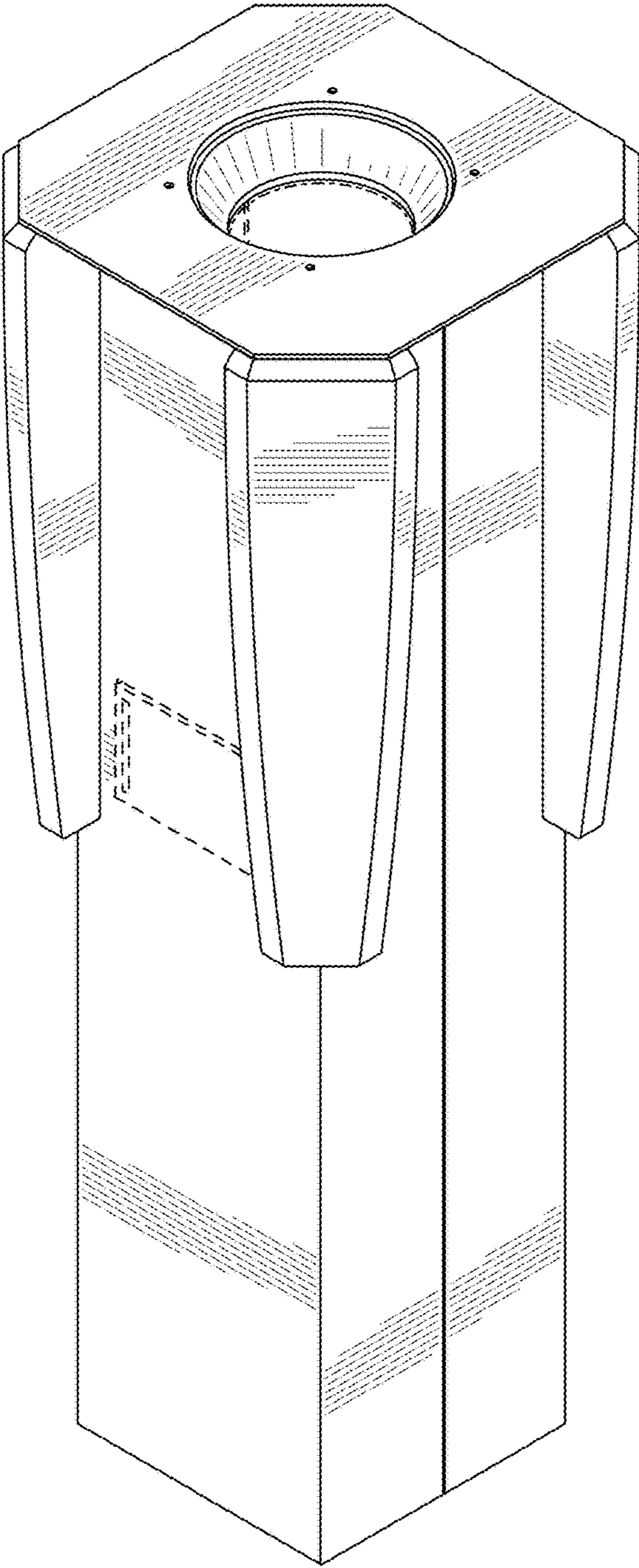


FIG. 1

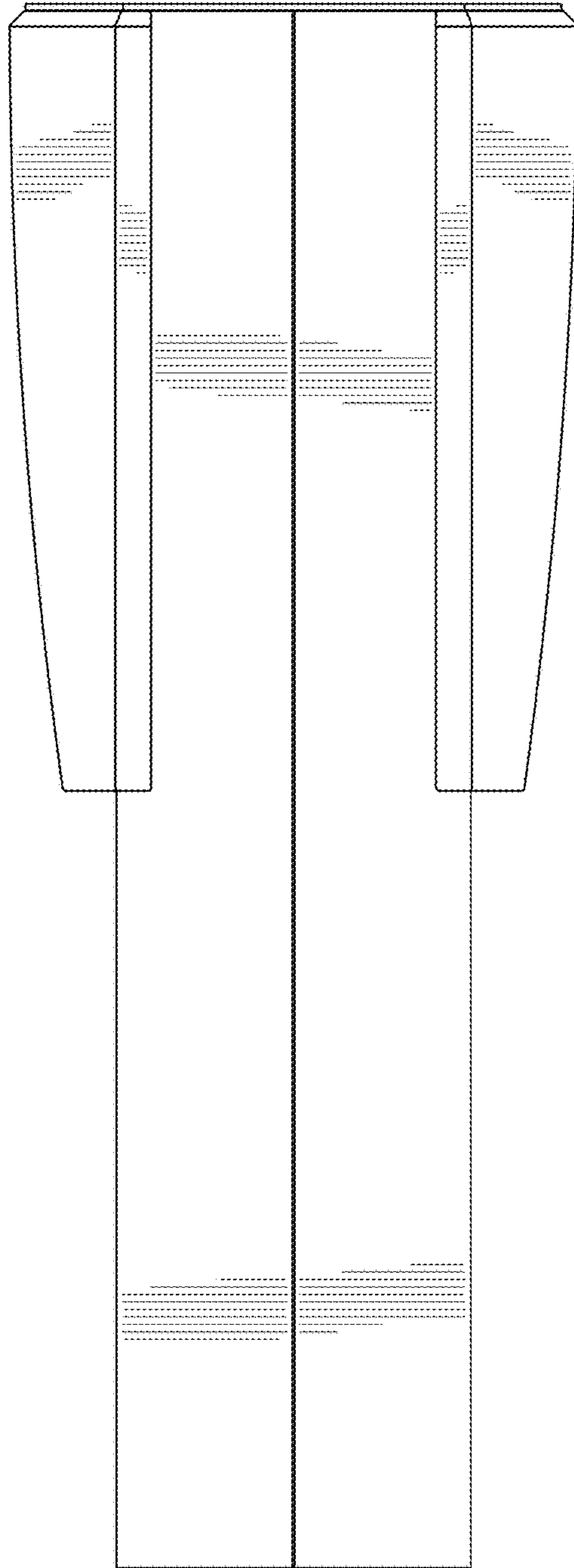


FIG. 2

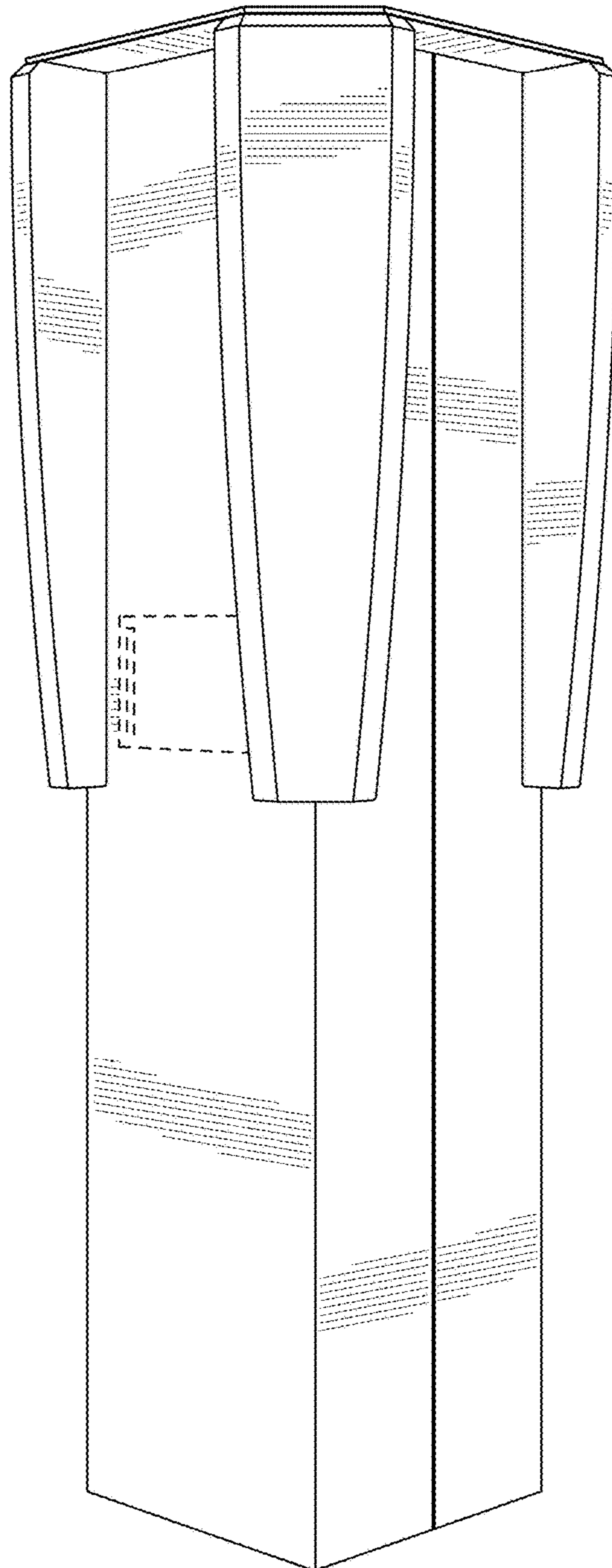


FIG. 3

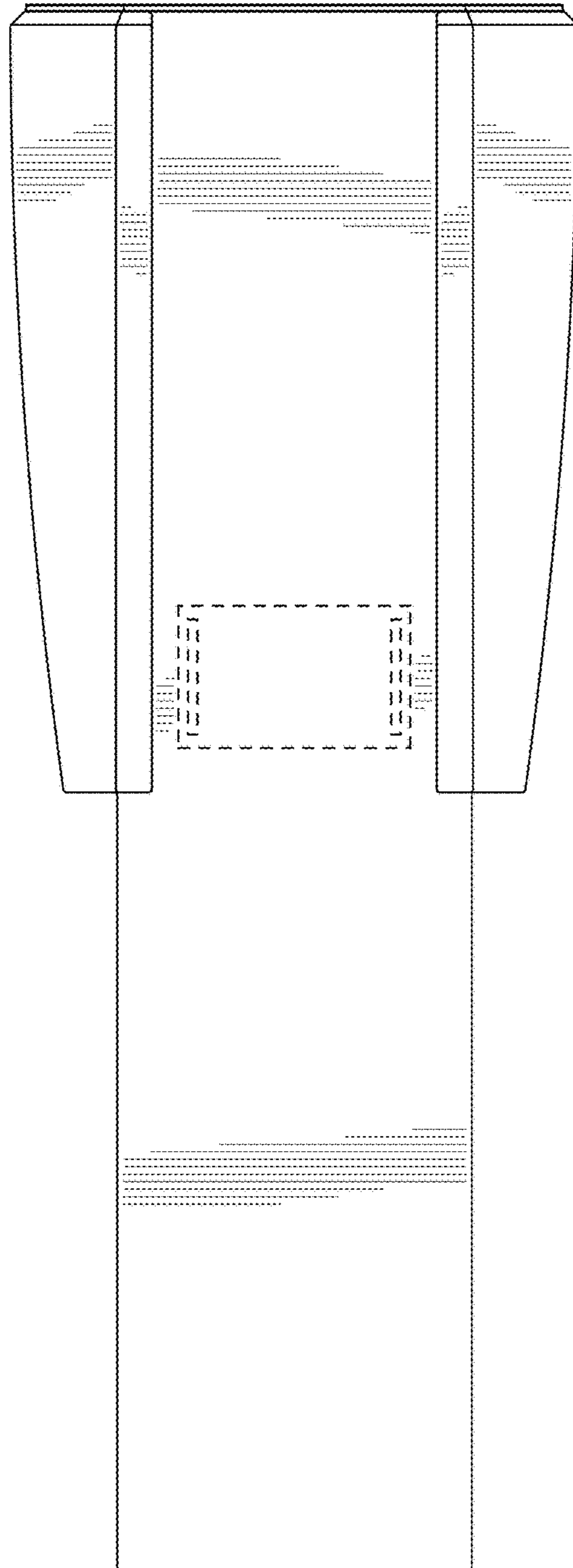


FIG. 4

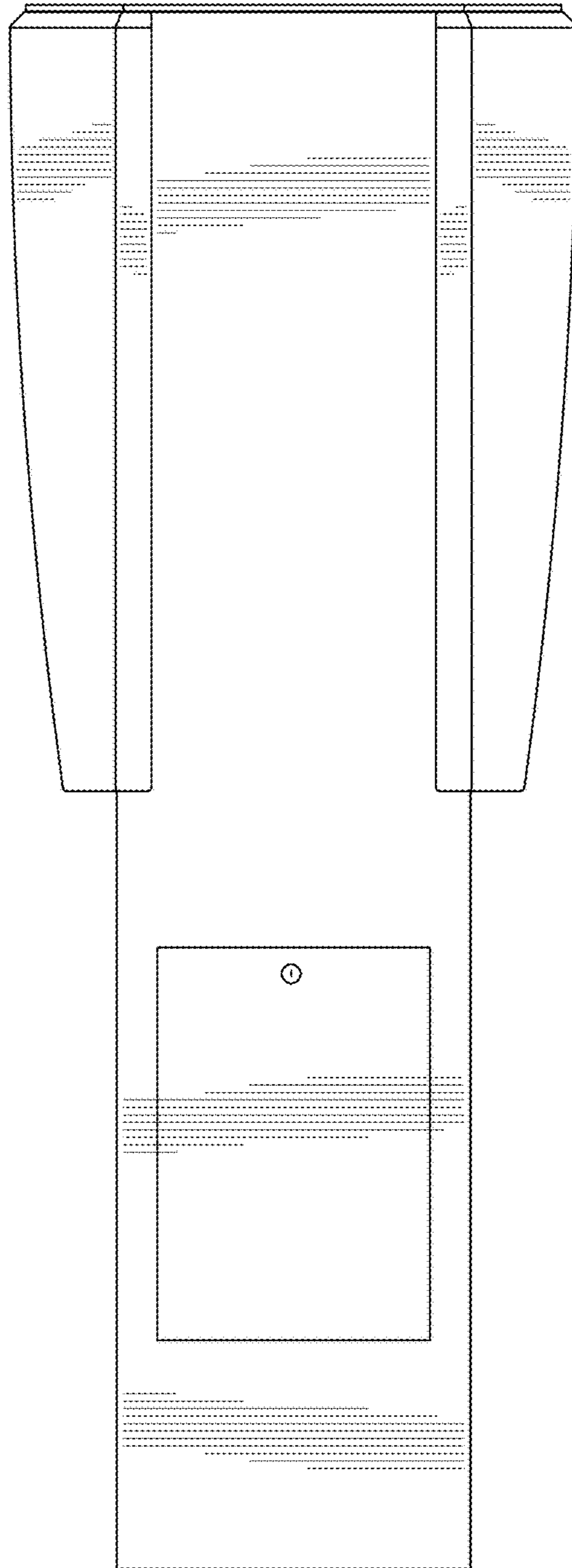


FIG. 5