



US00D850655S

(12) **United States Design Patent** (10) **Patent No.:** **US D850,655 S**
van Hoytema (45) **Date of Patent:** **** Jun. 4, 2019**

(54) **HEXAGONAL RIGGING BLOCK**

(71) Applicant: **Hoyte van Hoytema**, Los Angeles, CA (US)

(72) Inventor: **Hoyte van Hoytema**, Los Angeles, CA (US)

(73) Assignee: **FURIOUS PEOPLE**, Beverly Hills, CA (US)

(**) Term: **15 Years**

(21) Appl. No.: **29/589,668**

(22) Filed: **Jan. 4, 2017**

(51) **LOC (11) Cl.** **25-04**

(52) **U.S. Cl.**
USPC **D25/68**

(58) **Field of Classification Search**
USPC D25/62, 66, 68, 113, 115; D21/484; 446/124, 85; 52/81.3, 82
CPC E04C 1/00; A63H 33/04; A63H 33/086; E02D 17/205
See application file for complete search history.

(56) **References Cited**

U.S. PATENT DOCUMENTS

3,877,170	A *	4/1975	Bakker	A63H 33/088
					446/124
6,264,522	B1 *	7/2001	Dickson	A44C 13/00
					446/102
7,510,457	B2 *	3/2009	Hussa-Lietz	A63H 33/04
					434/79
8,480,449	B2 *	7/2013	Cheng	A63F 9/1288
					273/153 R
D691,873	S *	10/2013	Ganski	D8/356
8,782,965	B2 *	7/2014	Hava	E04B 1/32
					52/653.1

9,345,983	B2 *	5/2016	Meys	A63H 33/062
9,427,675	B2 *	8/2016	Yang	A63H 33/04
D796,066	S	8/2017	Shell		
D822,122	S *	7/2018	Bilezikian	D21/484
2009/0239712	A1 *	9/2009	Van Raalte	A63B 69/0048
					482/35

* cited by examiner

Primary Examiner — Cynthia Ramirez

Assistant Examiner — Gino Colan

(74) *Attorney, Agent, or Firm* — Amster Rothstein and Ebenstein

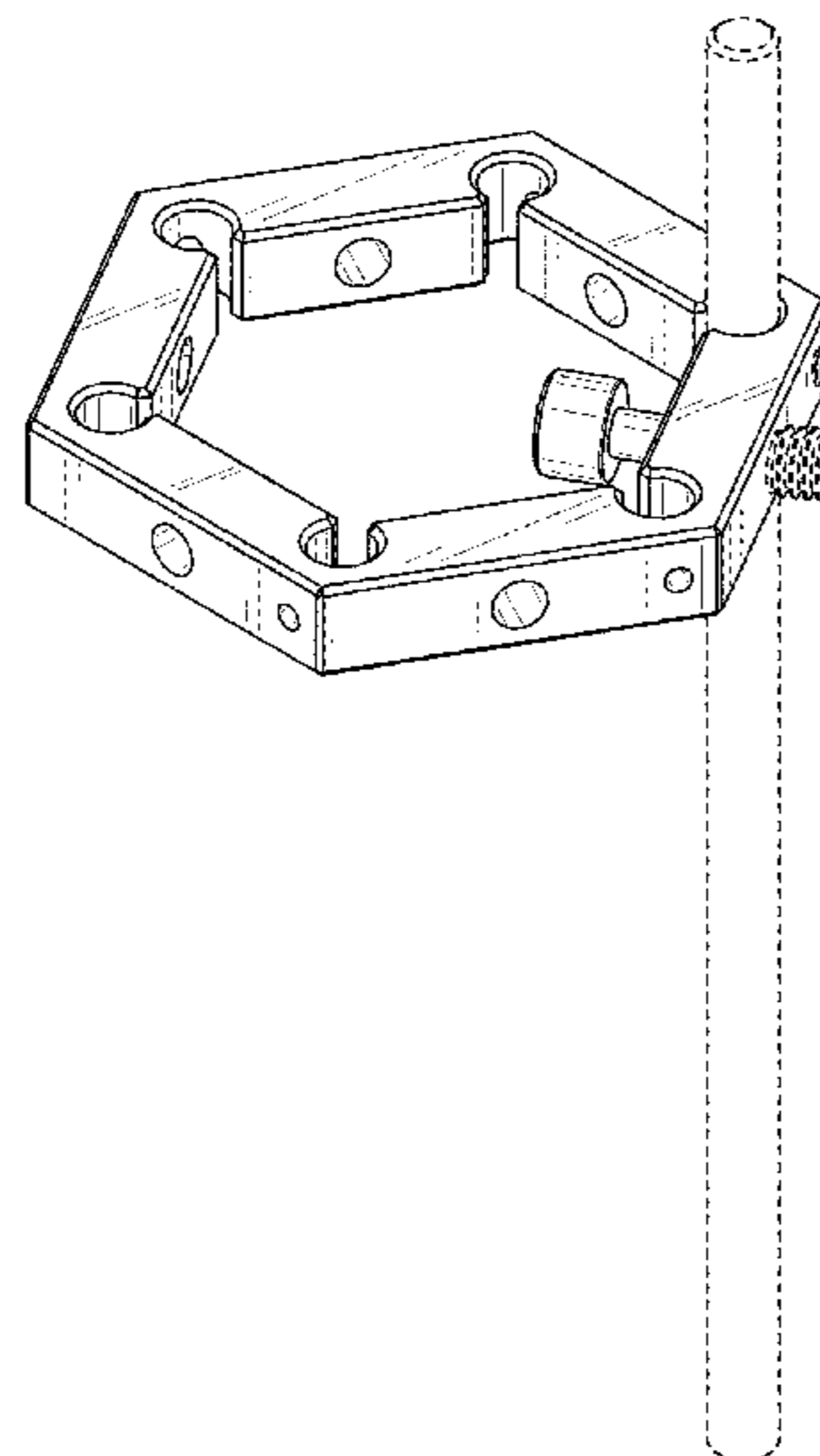
(57) **CLAIM**

The ornamental design for a hexagonal rigging block, as shown and described.

DESCRIPTION

FIG. 1 is a perspective view of a hexagonal rigging block showing my new design;
 FIG. 2 is a front view of the hexagonal rigging block of FIG. 1;
 FIG. 3 is a rear view of the hexagonal rigging block of FIG. 1;
 FIG. 4 is a left side view of the hexagonal rigging block of FIG. 1,
 FIG. 5 is a right side view of the hexagonal rigging block of FIG. 1,
 FIG. 6 is a top plan view of the hexagonal rigging block of FIG. 1; and,
 FIG. 7 is a bottom plan view of the hexagonal rigging block of FIG. 1.
 The broken line showing of additional rigging pieces is for the purpose of illustrating environmental structure and forms no part of the claimed design.

1 Claim, 7 Drawing Sheets



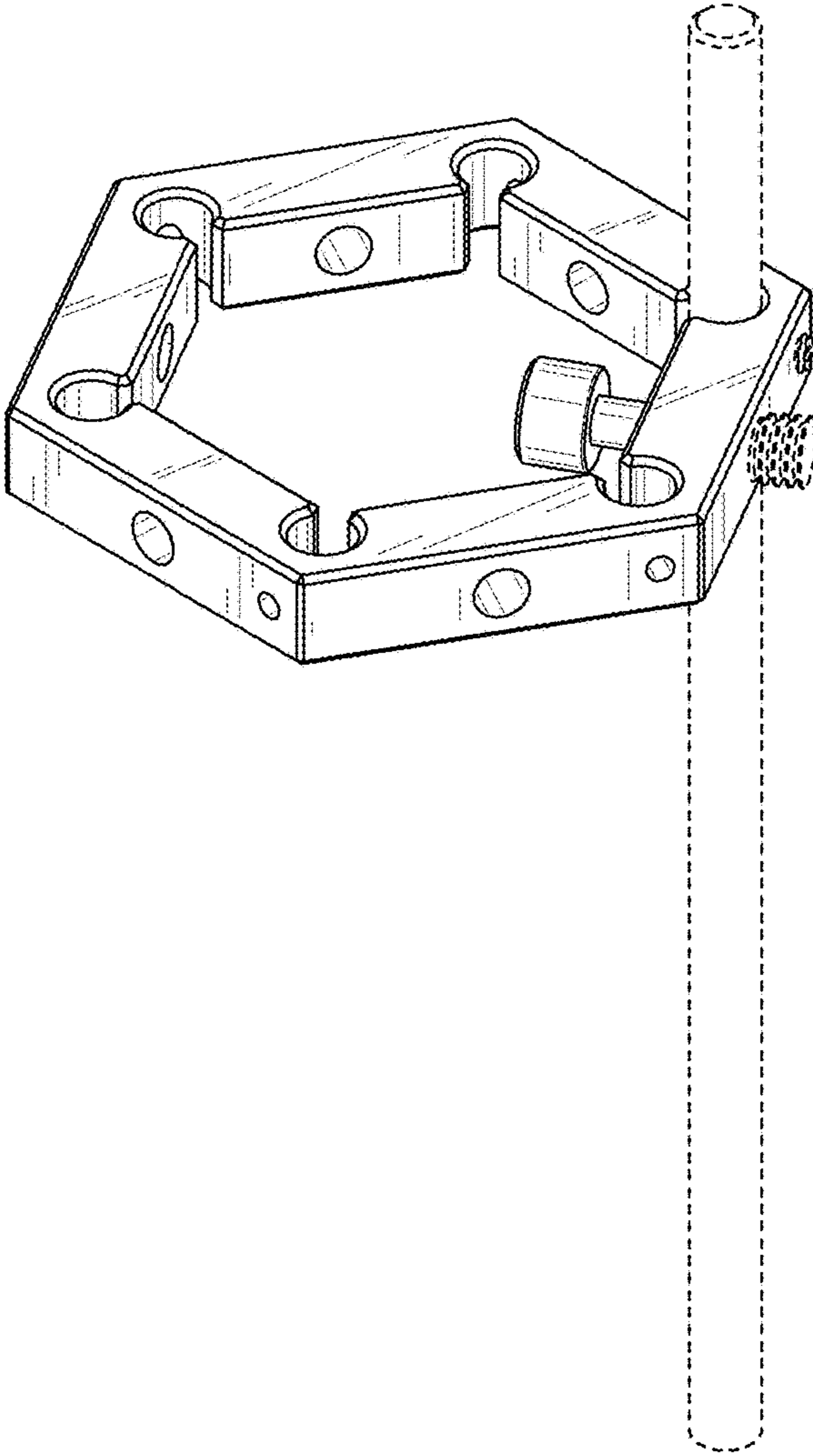


FIG. 1

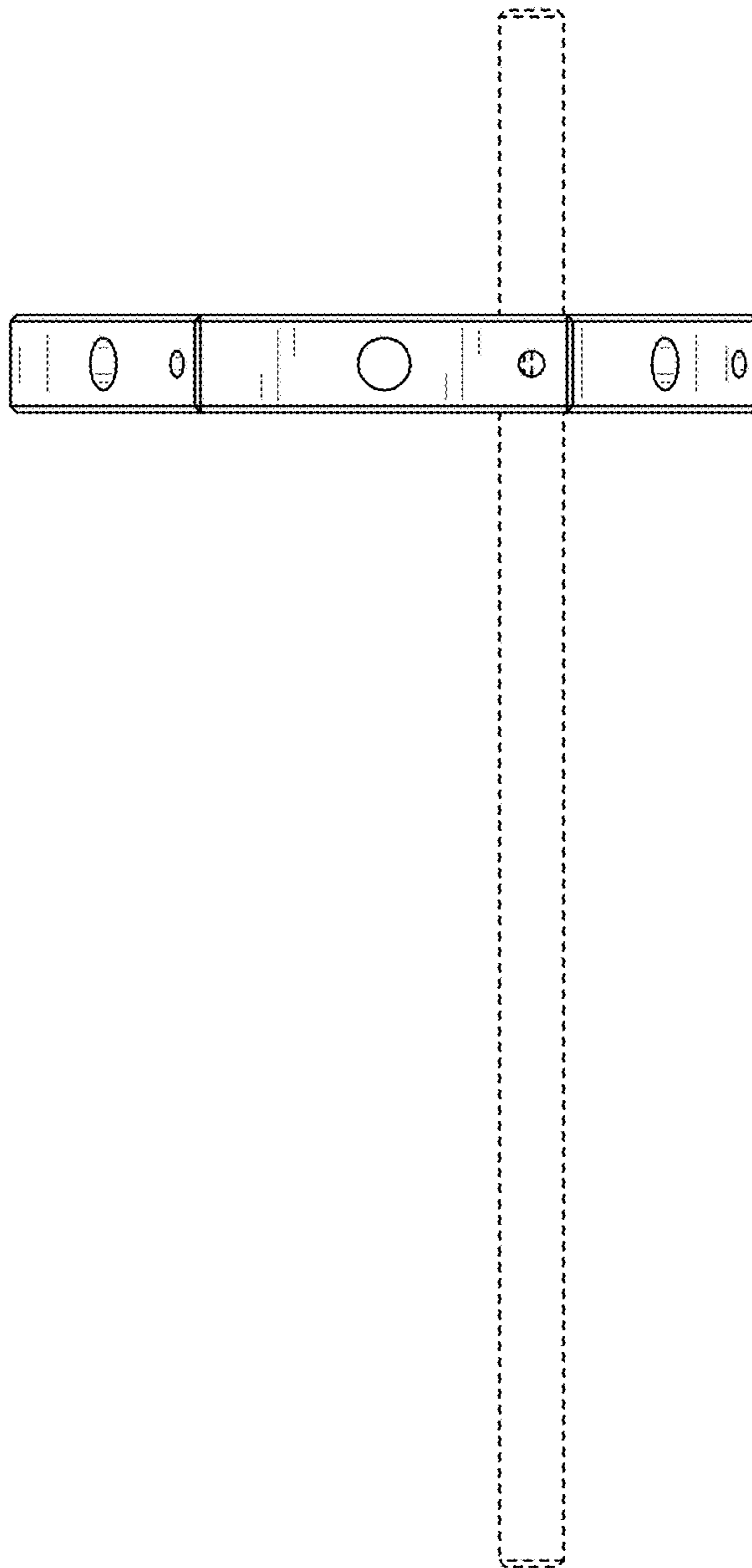


FIG. 2

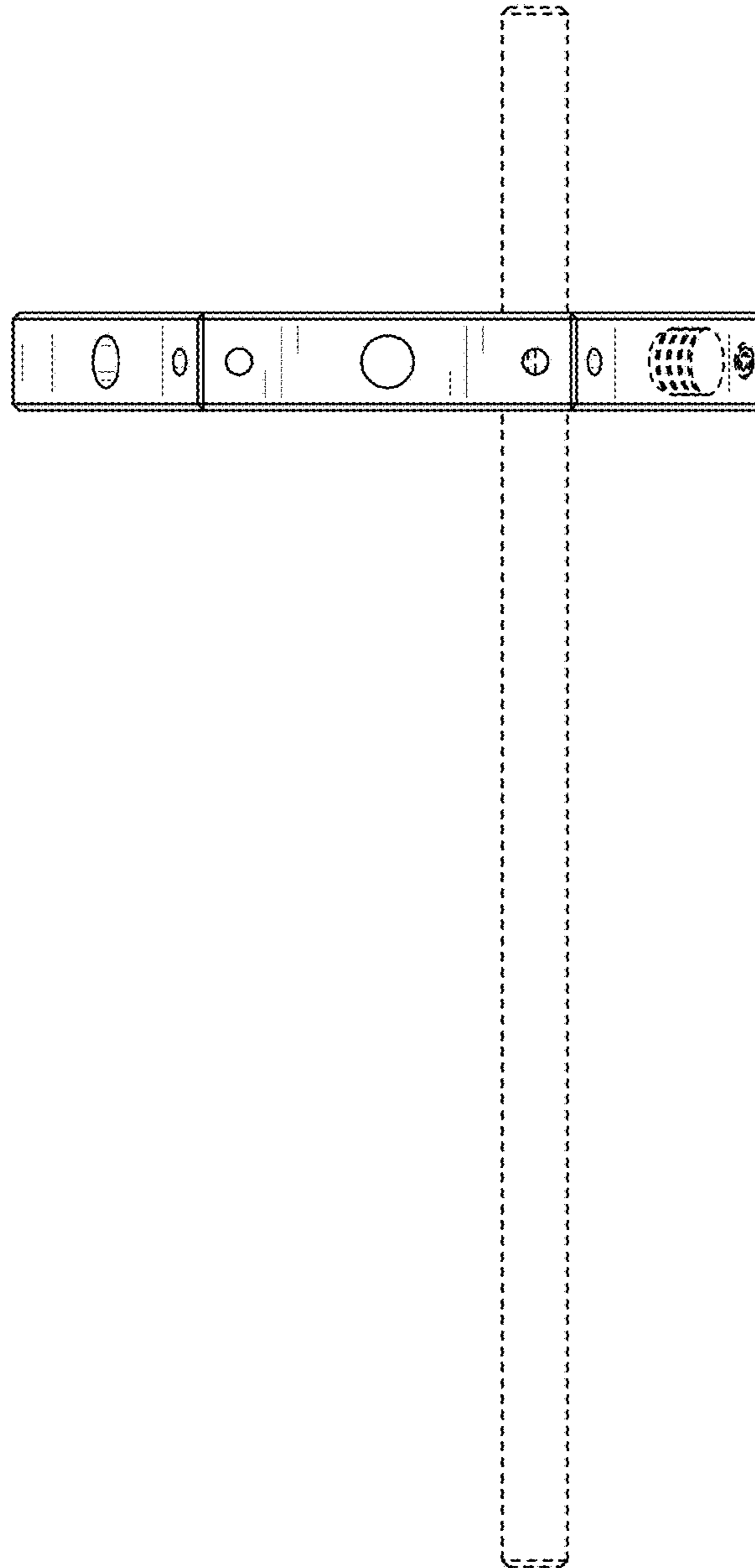


FIG. 3

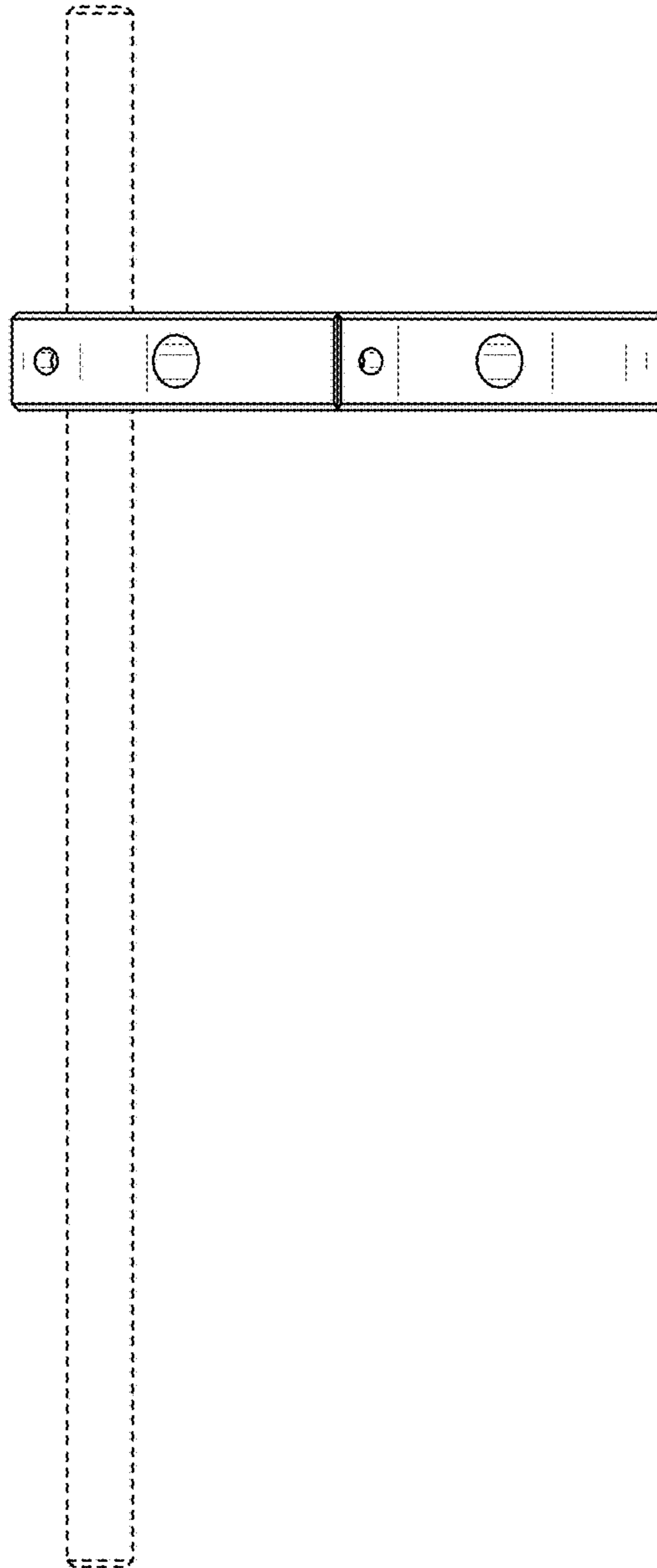


FIG. 4

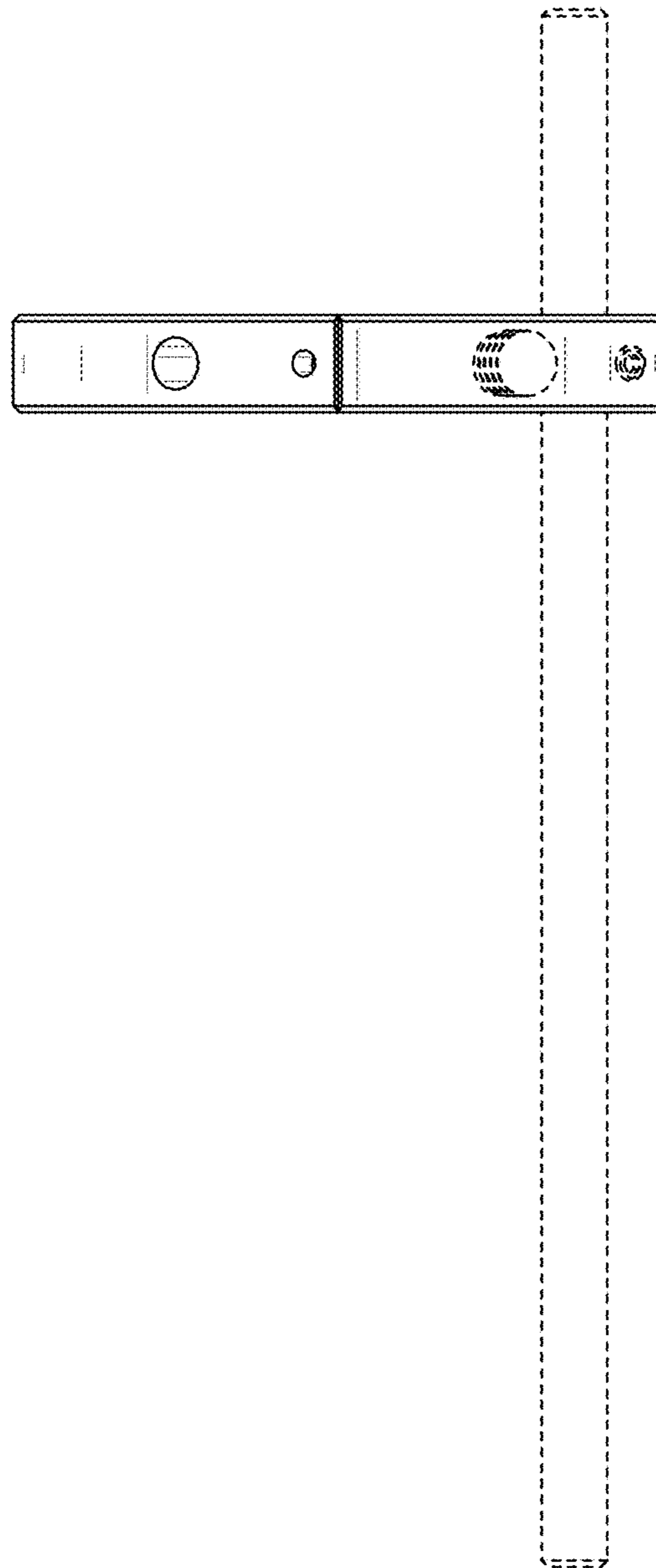


FIG. 5

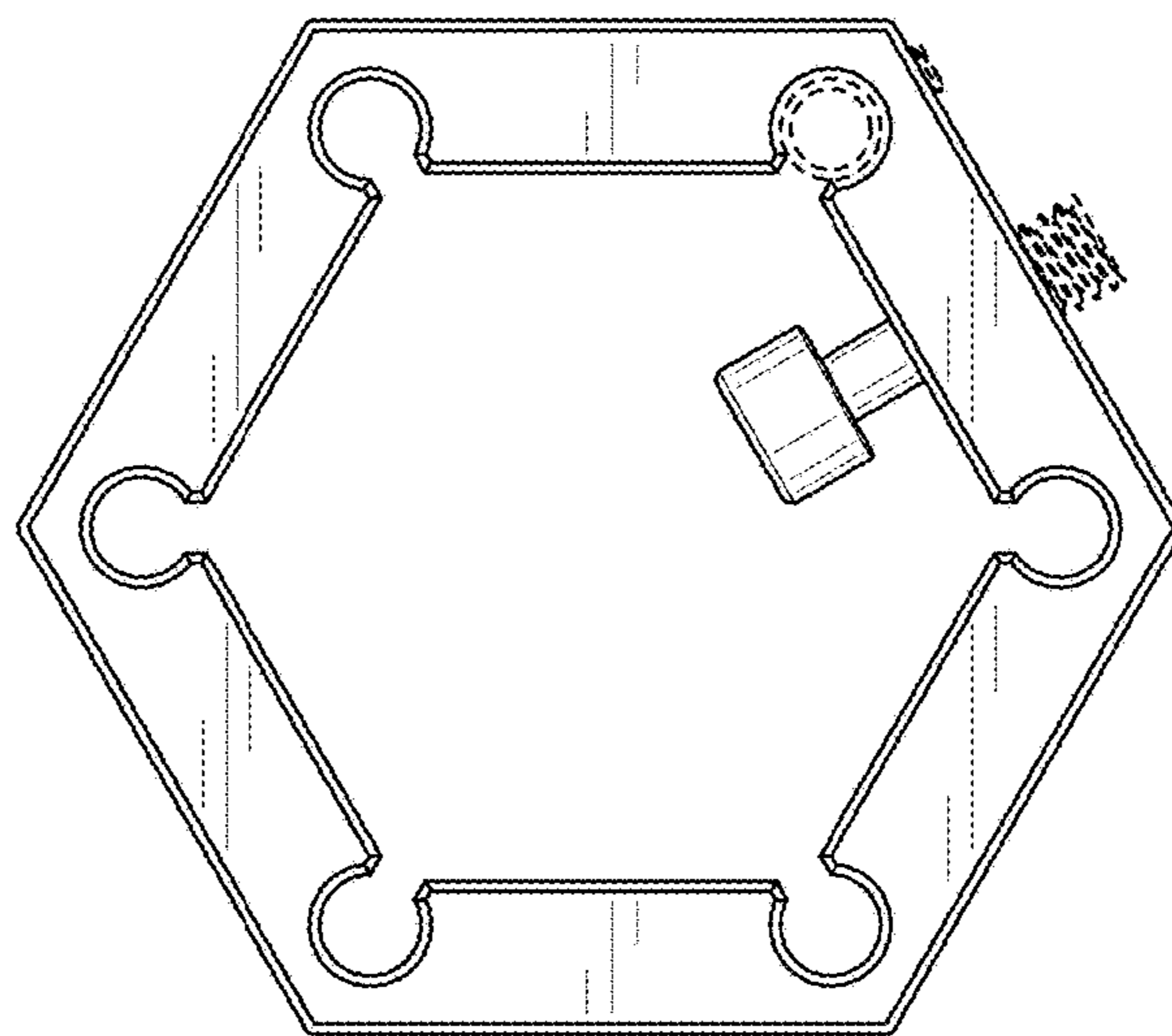


FIG. 6

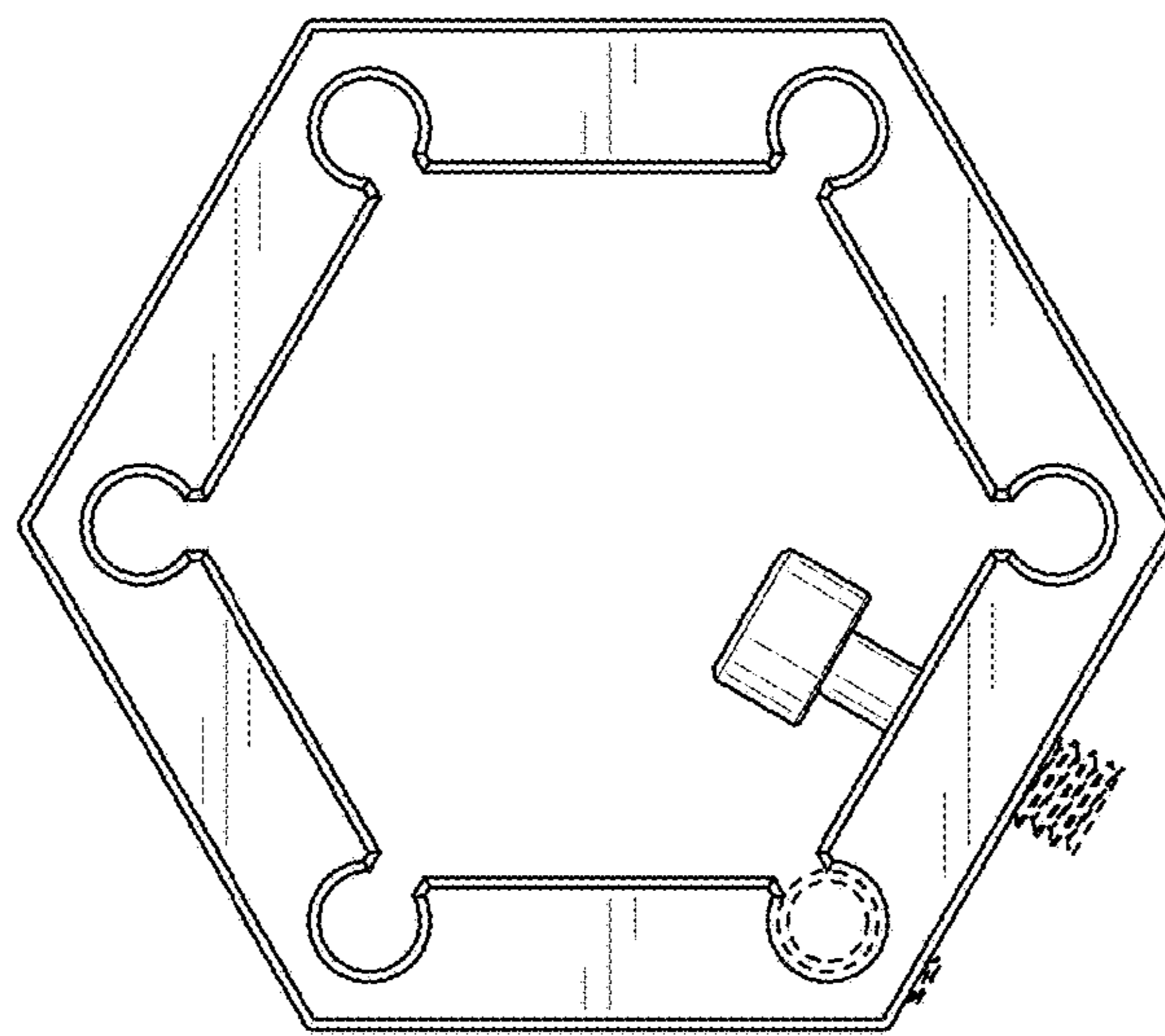


FIG. 7