



US00D850653S

(12) **United States Design Patent**  
**Kopp et al.**

(10) **Patent No.:** **US D850,653 S**

(45) **Date of Patent:** **\*\* Jun. 4, 2019**

- (54) **VENTED SKYLIGHT**
- (71) Applicant: **Suncast Technologies, LLC**, Palm Beach Gardens, FL (US)
- (72) Inventors: **Robert G. Kopp**, Elburn, IL (US);  
**Michael Thuma**, La Grange, IL (US);  
**Michael R. Vogler**, Oswego, IL (US)
- (73) Assignee: **Suncast Technologies LLC**, Palm Beach Gardens, FL (US)

D617,007	S *	6/2010	Kjærgaard	.....	D25/48.7
D617,008	S *	6/2010	Kjærgaard	.....	D25/48.7
8,209,923	B1 *	7/2012	Rich	.....	E04D 13/1476 285/42
D782,940	S *	4/2017	Allard	.....	D12/106
2007/0173191	A1 *	7/2007	Daniels, II	.....	F24F 7/02 454/250
2010/0184366	A1 *	7/2010	Hassenstab	.....	F24F 7/02 454/367
2010/0257798	A1 *	10/2010	Ward	.....	F24F 7/02 52/301
2017/0146253	A1 *	5/2017	Mantyla	.....	F24F 7/02

(\*\*) Term: **15 Years**

**OTHER PUBLICATIONS**

(21) Appl. No.: **29/599,970**

<http://idahowoodsheds.com/storage-building-shed-accessories/skylights/> Feb. 2017 (Year: 2017).\*

(22) Filed: **Apr. 7, 2017**

\* cited by examiner

(51) **LOC (11) Cl.** ..... **25-02**

(52) **U.S. Cl.**  
USPC ..... **D25/48.7**

*Primary Examiner* — Leanne Was-Englehart  
(74) *Attorney, Agent, or Firm* — McHale & Slavin, P.A.

(58) **Field of Classification Search**  
USPC ..... D23/373; D25/48.1, 48.7, 60  
CPC .... E04D 13/0305; E04D 13/0325; F24F 7/02;  
Y10S 49/01  
See application file for complete search history.

(57) **CLAIM**

The ornamental design for a vented skylight, as shown and described.

(56) **References Cited**

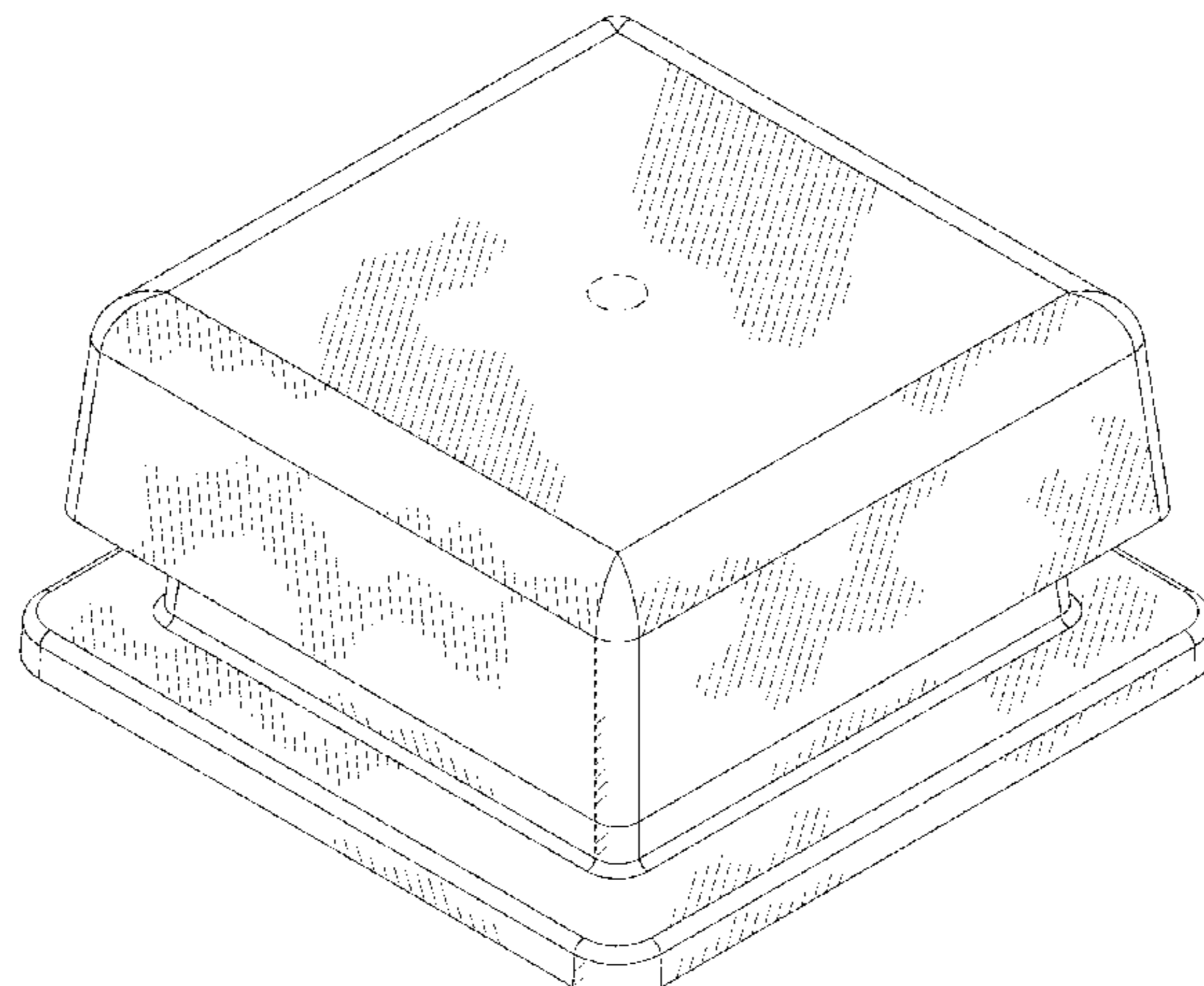
**DESCRIPTION**

**U.S. PATENT DOCUMENTS**

3,934,383	A *	1/1976	Perry	.....	E04D 13/0352 454/136
D243,851	S *	3/1977	Felter	.....	52/200
D247,047	S *	1/1978	Damiana	.....	D25/48.7
4,344,261	A *	8/1982	Weisner	.....	B29C 51/082 52/200
4,357,381	A *	11/1982	Wilson	.....	B29C 51/08 264/292
D277,027	S *	1/1985	Waltz	.....	D23/373
D277,028	S *	1/1985	Waltz	.....	D23/373
4,930,275	A *	6/1990	Verby	.....	E04D 13/0305 49/DIG. 1
D328,354	S *	7/1992	Hosoyama	.....	D25/48.7
D328,795	S *	8/1992	Yamaguchi	.....	D25/48.7
D329,694	S *	9/1992	Wimberly	.....	D23/373

FIG. 1 is a front top right isometric view of the vented skylight of the present invention;  
FIG. 2 is a front view thereof;  
FIG. 3 is a rear view thereof;  
FIG. 4 is a left side view thereof;  
FIG. 5 is a right side view thereof;  
FIG. 6 is a bottom view thereof;  
FIG. 7 is a top view thereof;  
FIG. 8 is a rear top left isometric view thereof; and,  
FIG. 9 is a bottom isometric view thereof.  
The portion of the vented skylight that are illustrated in broken lines form no part of the claim for the vented skylight.

**1 Claim, 9 Drawing Sheets**



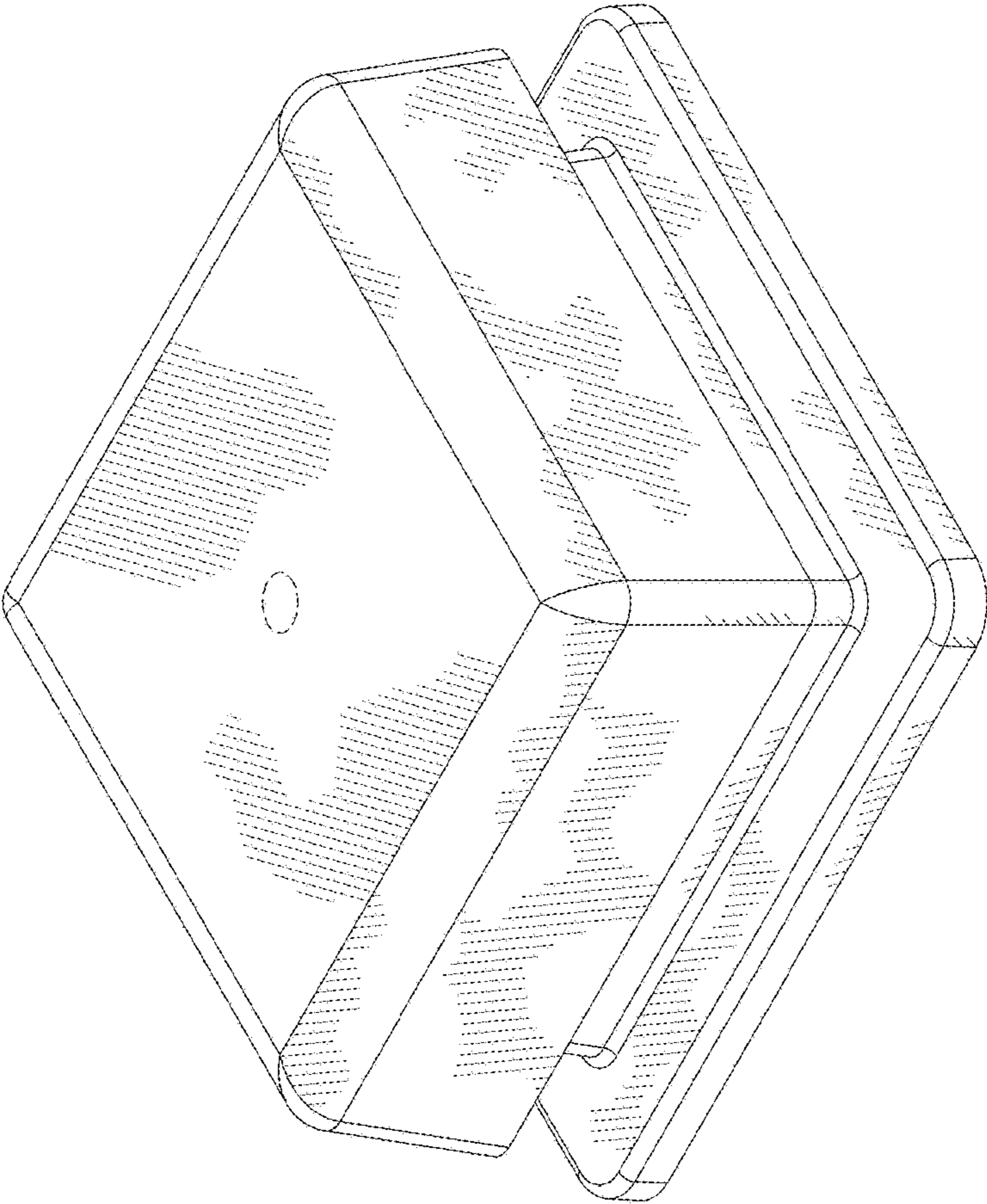


Fig. 1

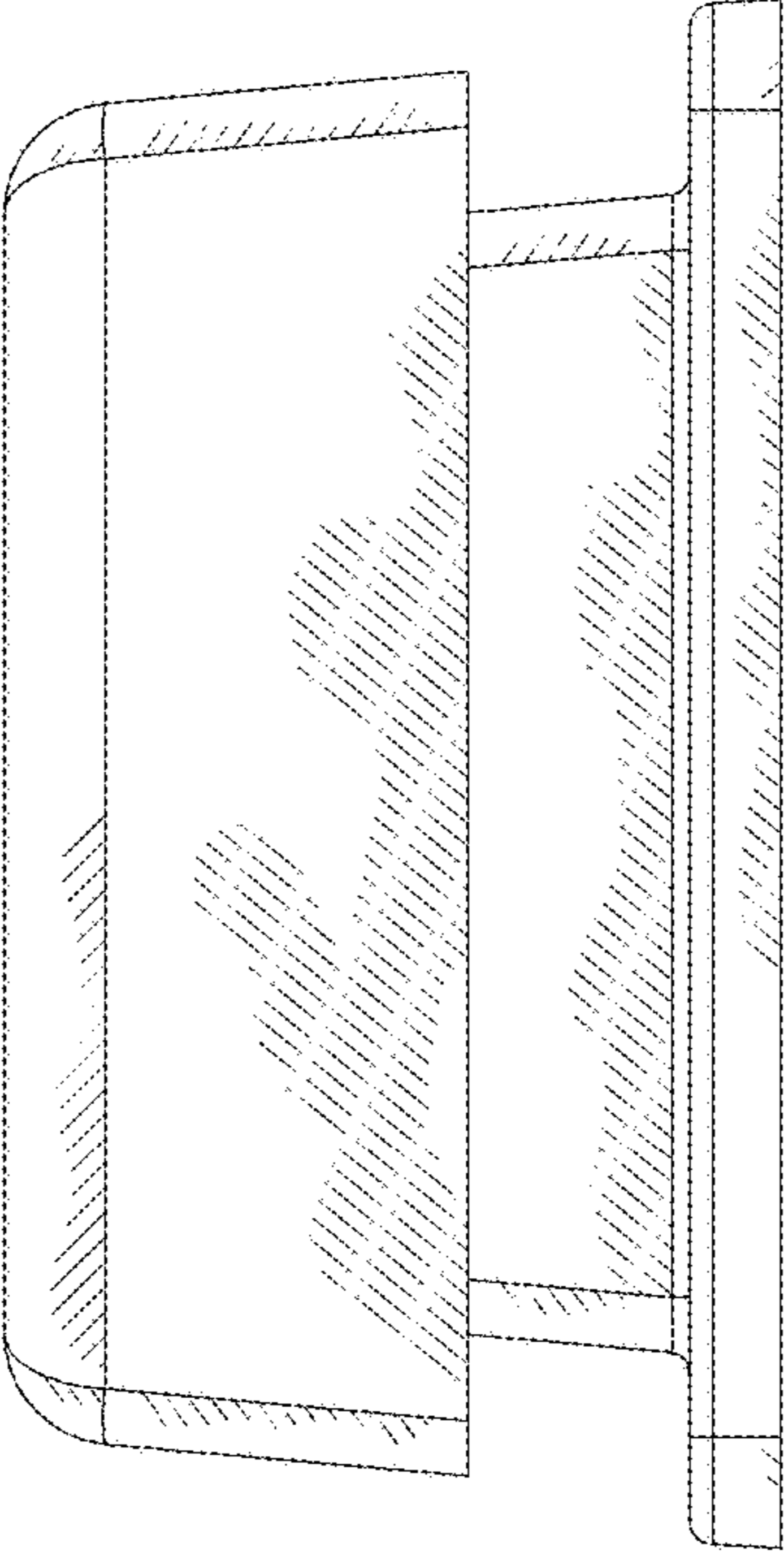


Fig. 2

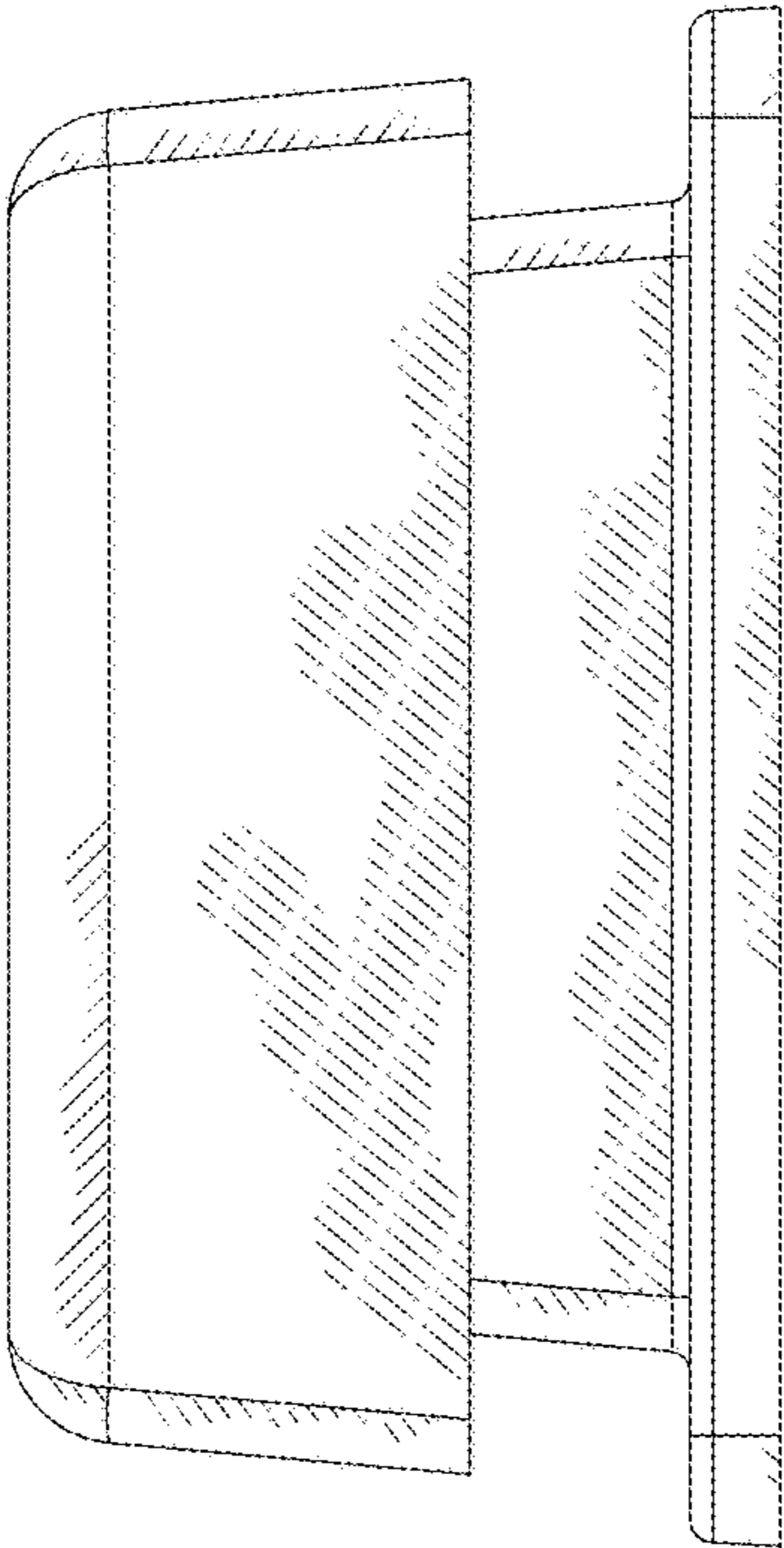


Fig. 3



Fig. 4



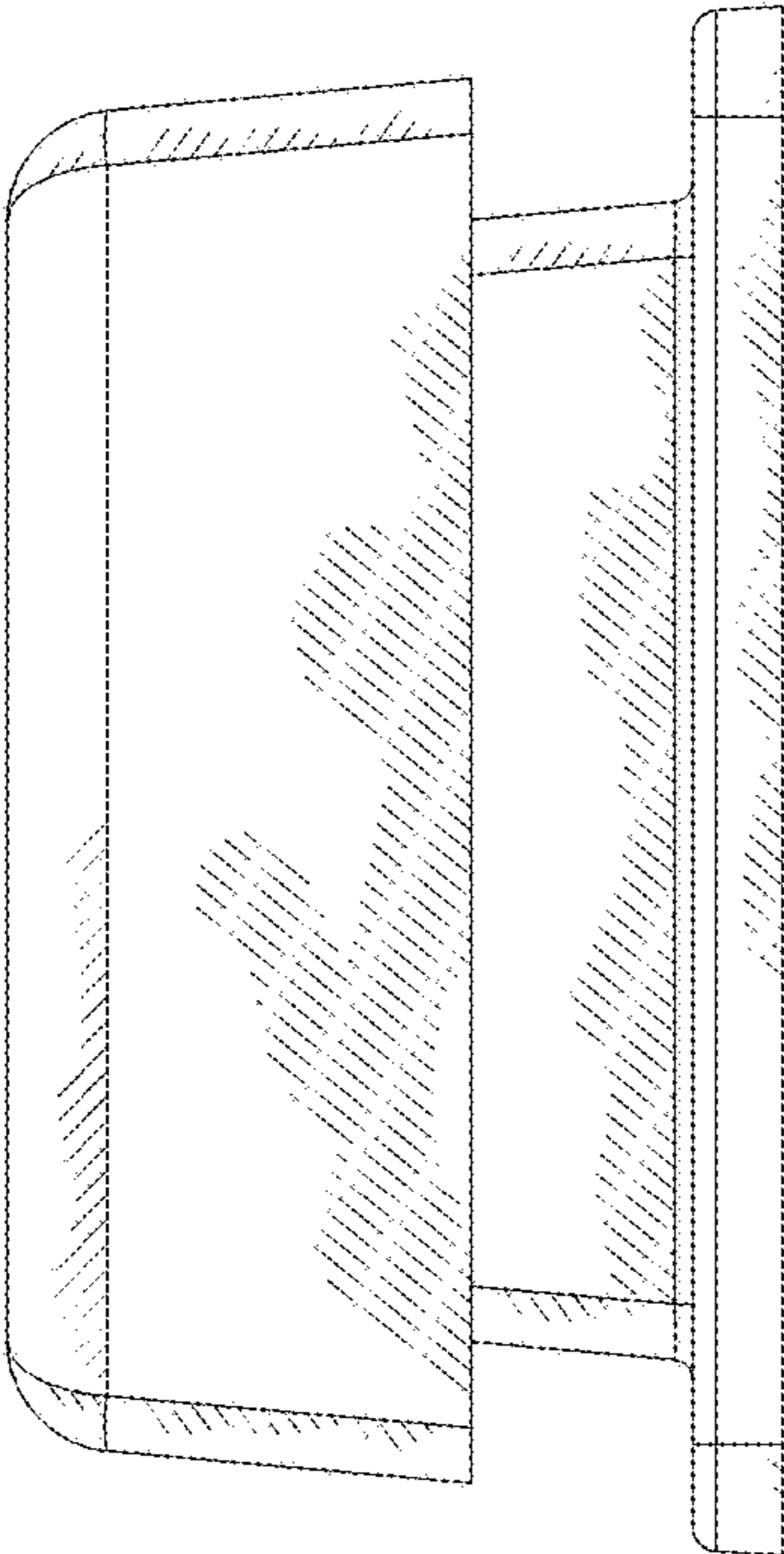


Fig. 5

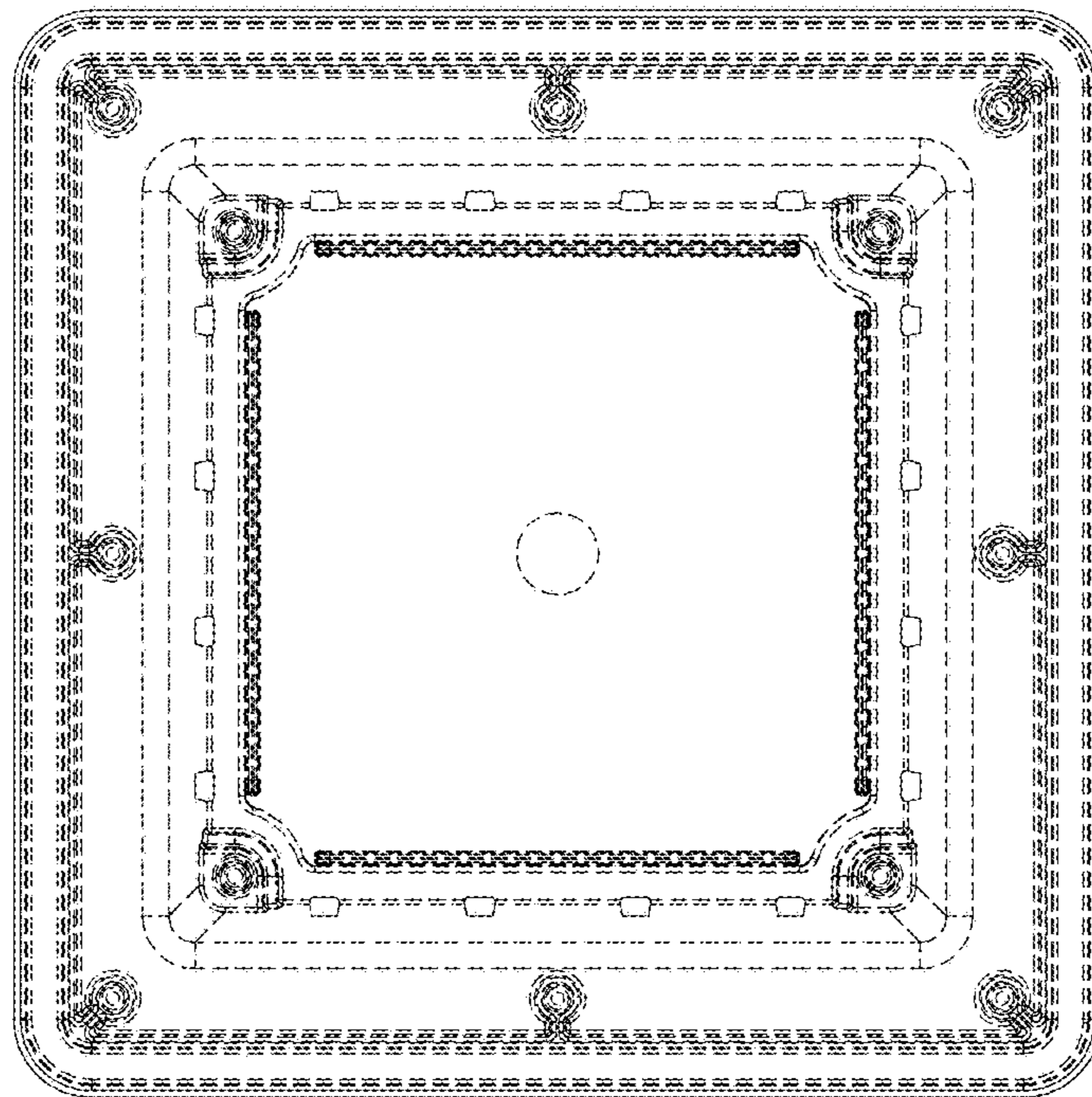


Fig. 6

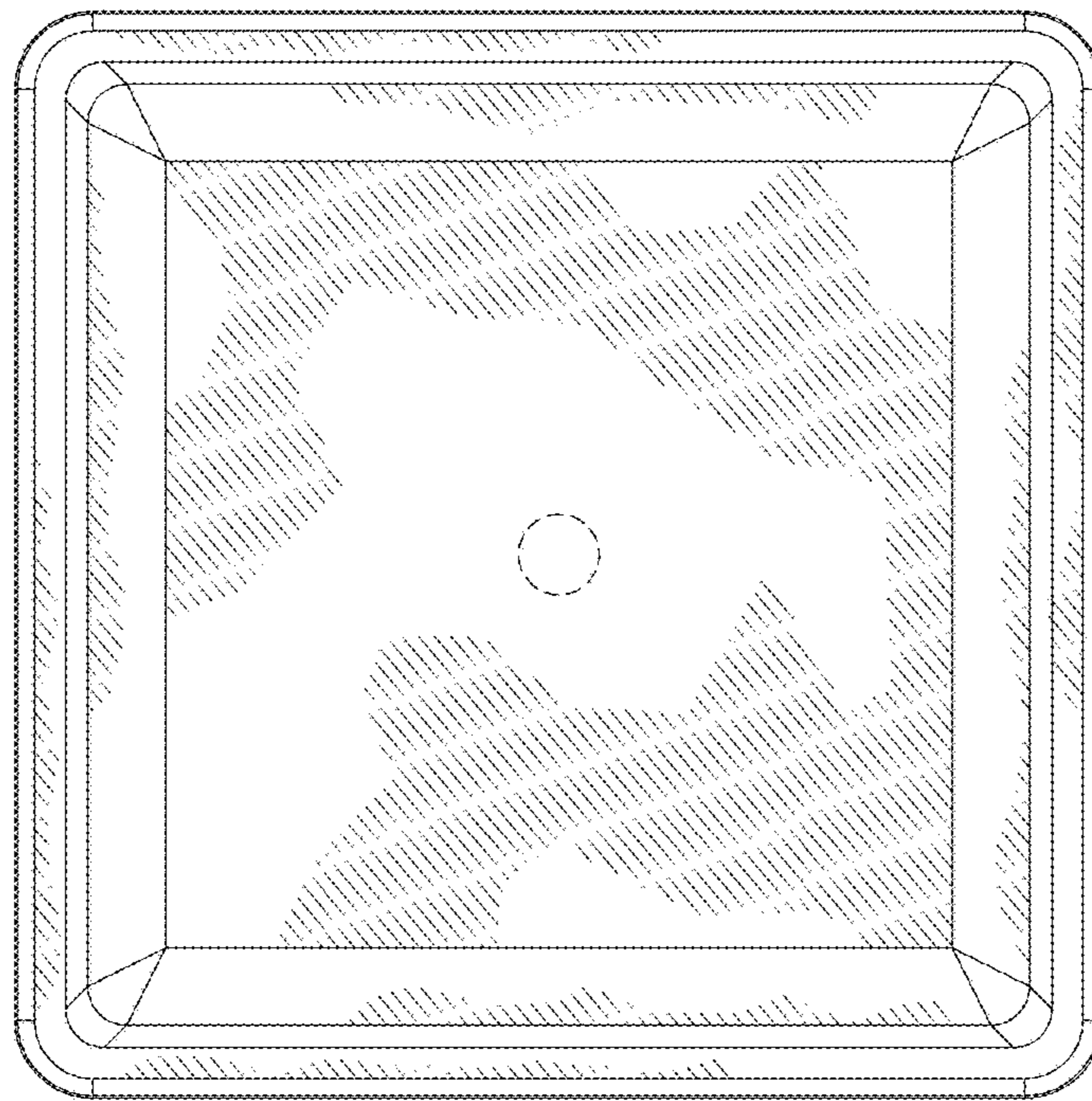


Fig. 7



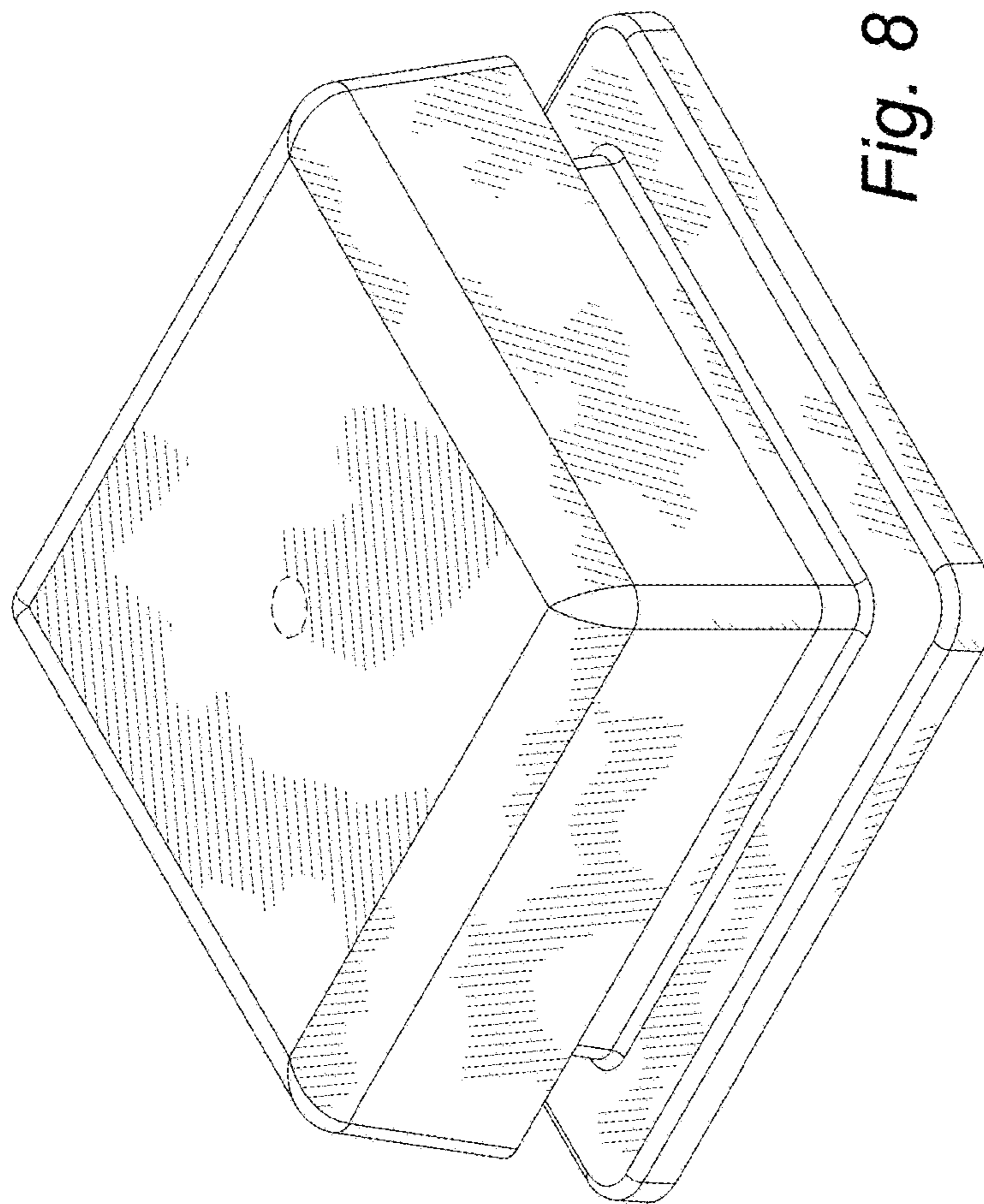


Fig. 8

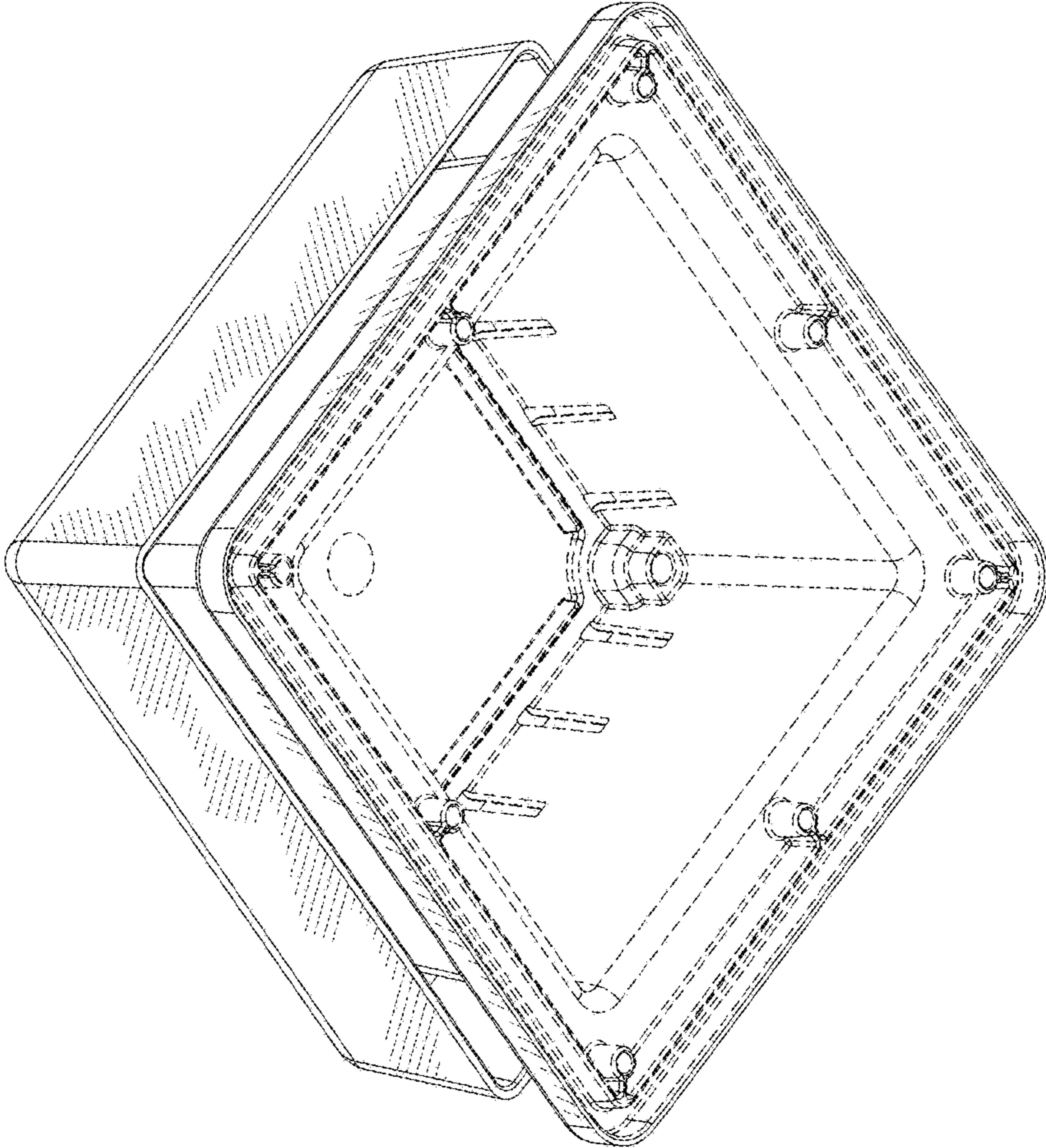


Fig. 9