



US00D850651S

(12) **United States Design Patent** (10) **Patent No.:** **US D850,651 S**
Ward, Jr. et al. (45) **Date of Patent:** **** Jun. 4, 2019**

(54) **CORNER RAIL EXTRUSION**

(71) Applicants: **Robert E. Ward, Jr.**, Grand Rapids, MN (US); **Richard M. Davidian**, Pickens, SC (US)

(72) Inventors: **Robert E. Ward, Jr.**, Grand Rapids, MN (US); **Richard M. Davidian**, Pickens, SC (US)

(**) Term: **15 Years**

(21) Appl. No.: **29/618,436**

(22) Filed: **Sep. 21, 2017**

(51) **LOC (11) Cl.** **25-01**

(52) **U.S. Cl.**
 USPC **D25/38.1**; D25/123

(58) **Field of Classification Search**
 USPC D25/38.1, 39, 41.1, 43, 44, 119–126, D25/136, 164, 199; D8/349, 354, 376, D8/377, 380, 381, 382; D6/702, 705, D6/705.6, 709, 709.2, 712; D26/138
 CPC ... E04F 11/18; E04F 11/1812; E04F 11/1814; E04F 11/1817; E04F 11/1834; E04F 11/1851; E04F 19/02; E04F 19/022; E04F 19/024; E04F 19/026; E04F 19/028; E04F 19/04; E04F 19/0436; E04F 19/0459; E04F 19/0463; E04F 19/0468; E04F 19/0481; E04F 19/0486; E04F 19/049; E04F 19/0495; E04F 19/06; E04F 19/061; E04F 19/062; E04F 19/063; E04F 19/064; E04F 19/065; E04F 19/066; E04F 19/067; E04F 19/068; E04F 2019/0413; E04F 2019/0454; E06B 1/00; E06B 1/02; E06B 1/04; E06B 1/045; E06B 1/12; E06B 1/26; E06B 1/28; E06B 1/30; E06B 1/32; E06B 1/34; E06B 1/342; E06B 1/36; E06B 1/52; E04C 3/00; E04C 3/005; E04C 3/02; E04C 3/04

See application file for complete search history.

(56) **References Cited**

U.S. PATENT DOCUMENTS

D240,707	S	*	7/1976	Rudinski	D8/377
D341,508	S	*	11/1993	Cooper	D25/119
D392,822	S	*	3/1998	Gilmore	D25/119
6,343,448	B1	*	2/2002	Lin	E06B 1/02
						52/204.1
D471,646	S	*	3/2003	Westphal	D25/122
D487,936	S	*	3/2004	Habeck	D25/124
D494,042	S	*	8/2004	Wright	D8/354
D513,966	S	*	1/2006	Wright	D8/354
D536,822	S	*	2/2007	Pyshos	D26/138
7,434,364	B2	*	10/2008	MacDermott	E06B 1/36
						52/127.11
D636,656	S	*	4/2011	Schaefer	D25/122
D662,613	S	*	6/2012	Williams	D25/126
D789,181	S	*	6/2017	Webb	D8/354
D810,008	S	*	2/2018	Mollison	D8/380

(Continued)

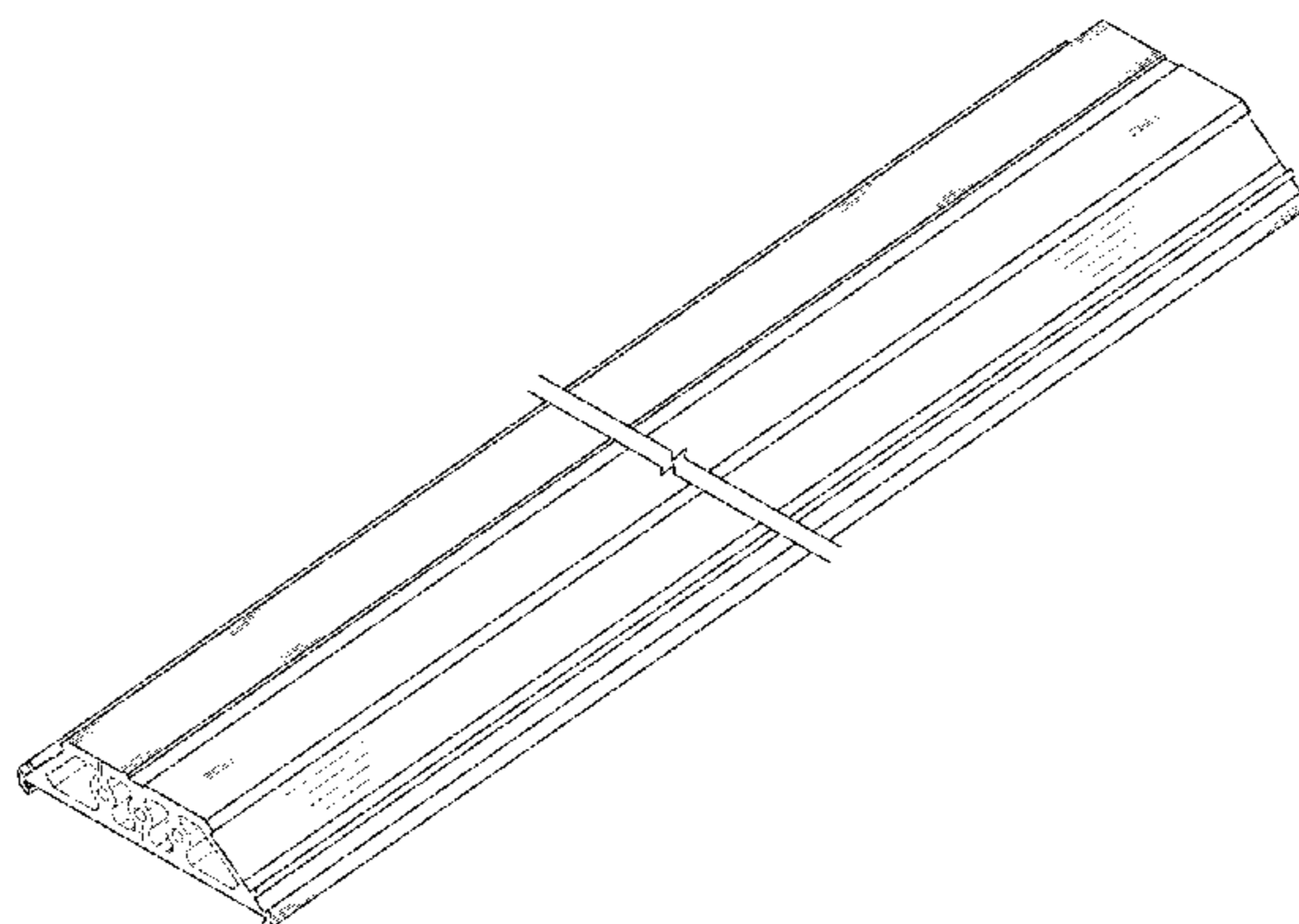
Primary Examiner — Cynthia Ramirez
Assistant Examiner — L. Martinez

(57) **CLAIM**
 The ornamental design for a corner rail extrusion, as shown and described.

DESCRIPTION

FIG. 1 is a perspective view of a corner rail extrusion of the present invention;
 FIG. 2 is an end elevation view, the opposite end being a mirror image thereof;
 FIG. 3 is a left side elevation view thereof, the right side elevation view being a mirror image thereof;
 FIG. 4 is a rear elevation view thereof; and,
 FIG. 5 is a front elevation view thereof.
 The corner rail extrusion is shown with a symbolic break in its length. The appearance of any portion of the corner rail extrusion between said break lines forms no part of the claimed design.

1 Claim, 5 Drawing Sheets



(56)

References Cited

U.S. PATENT DOCUMENTS

D818,190 S * 5/2018 Trzesniowski D26/138
D818,193 S * 5/2018 Trzesniowski D26/138

* cited by examiner

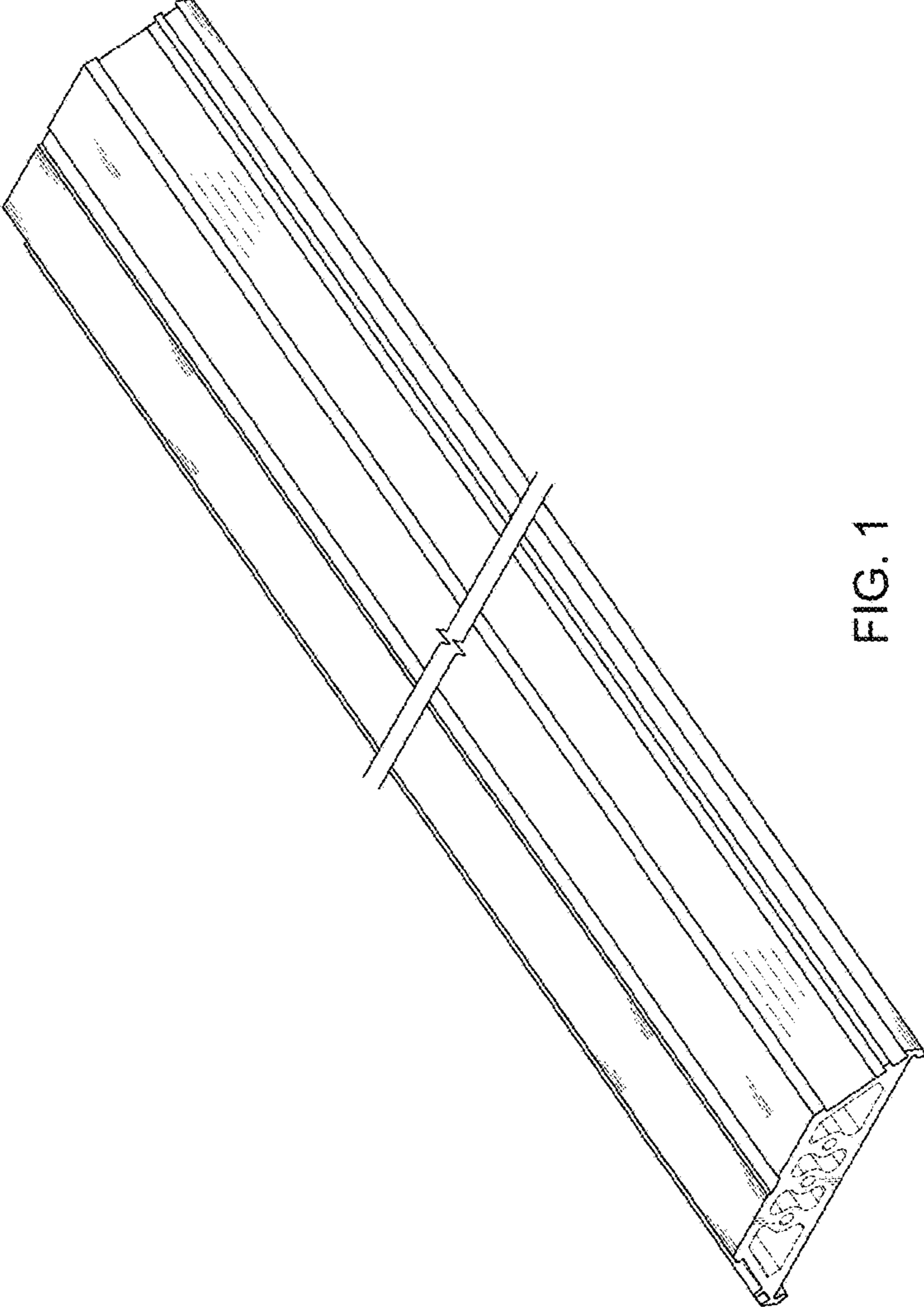


FIG. 1



FIG. 2

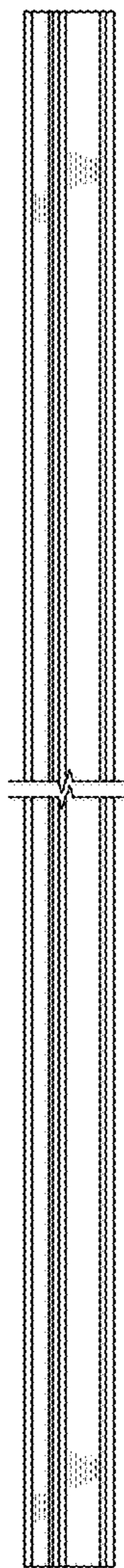


FIG. 3

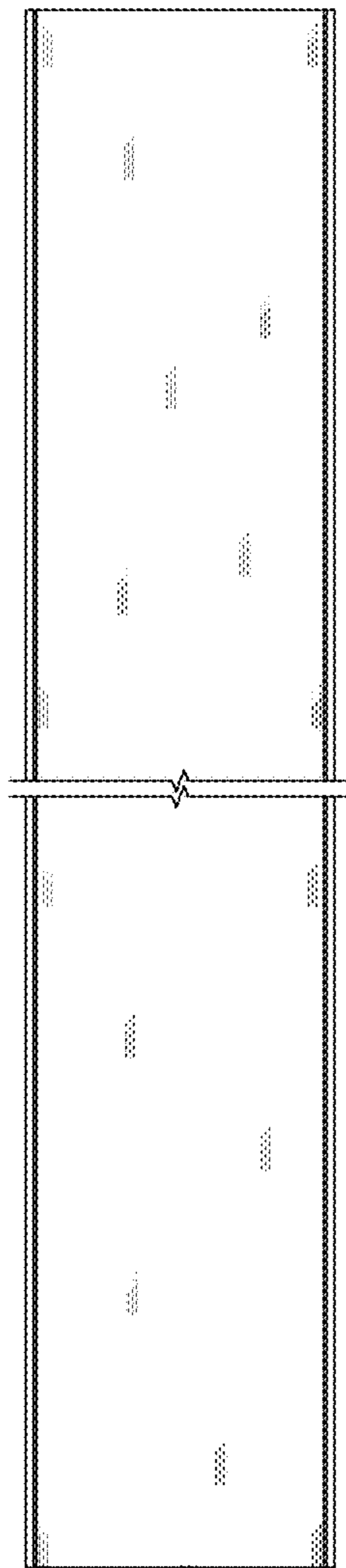


FIG. 4

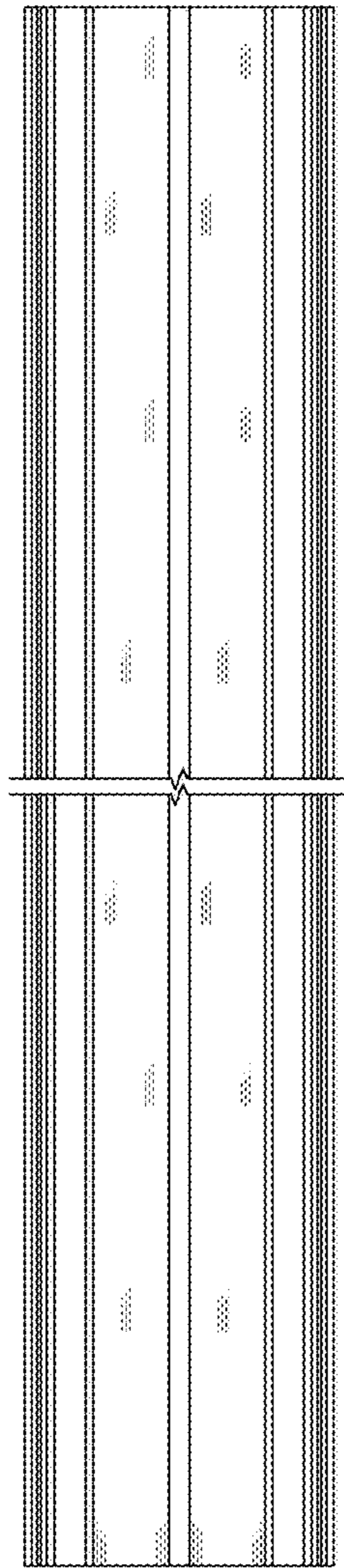


FIG. 5