



US00D850646S

(12) **United States Design Patent**
Cassimy

(10) **Patent No.:** **US D850,646 S**

(45) **Date of Patent:** **** Jun. 4, 2019**

(54) **RAZOR SANITIZER**

(71) Applicant: **Dave P. Cassimy**, Miramar, FL (US)

(72) Inventor: **Dave P. Cassimy**, Miramar, FL (US)

(**) Term: **15 Years**

(21) Appl. No.: **29/612,514**

(22) Filed: **Aug. 1, 2017**

(51) **LOC (11) Cl.** **24-01**

(52) **U.S. Cl.**

USPC **D24/217**

(58) **Field of Classification Search**

USPC D24/216, 217, 218, 219, 224-232;
D23/366; D28/44, 73; D32/1, 25

CPC A61L 2/26; A61L 2/24; A61L 2/17; A61L
2/18; A61L 2/025; A61L 2202/122; A61L
2202/10; A61L 2202/11; A61L 2202/14;
A61L 2202/23; A61L 2202/24; A61L
2202/182

See application file for complete search history.

(56) **References Cited**

U.S. PATENT DOCUMENTS

D380,067 S *	6/1997	Brenneman	D28/44
D446,883 S *	8/2001	Christianson	D28/44
D488,233 S *	4/2004	Ellsworth	D24/216
D527,461 S *	8/2006	Yue	D24/217
D717,967 S *	11/2014	Durant	D24/217
D719,673 S *	12/2014	Leyva	D24/217
D731,707 S *	6/2015	Grabes	D28/44
D750,853 S *	3/2016	Smith	D32/1

D815,298 S * 4/2018 Gorelick D24/217

* cited by examiner

Primary Examiner — Anhdao Doan

(74) *Attorney, Agent, or Firm* — Nancy J. Flint, Attorney at Law, P.A.; Nancy J. Flint, Esq.

(57) **CLAIM**

The ornamental design for a razor sanitizer, as shown and described.

DESCRIPTION

FIG. 1 is a bottom perspective view of a razor sanitizer prior to attachment to a sanitizing liquid container showing my new design;

FIG. 2 is a top perspective view of the razor sanitizer prior to attachment to a sanitizing liquid container;

FIG. 3 is a top view of the razor sanitizer;

FIG. 4 is a bottom view of the razor sanitizer;

FIG. 5 is a right side view of the razor sanitizer;

FIG. 6 is a left side view of the razor sanitizer;

FIG. 7 is a front view of the razor sanitizer;

FIG. 8 is a back view of the razor sanitizer;

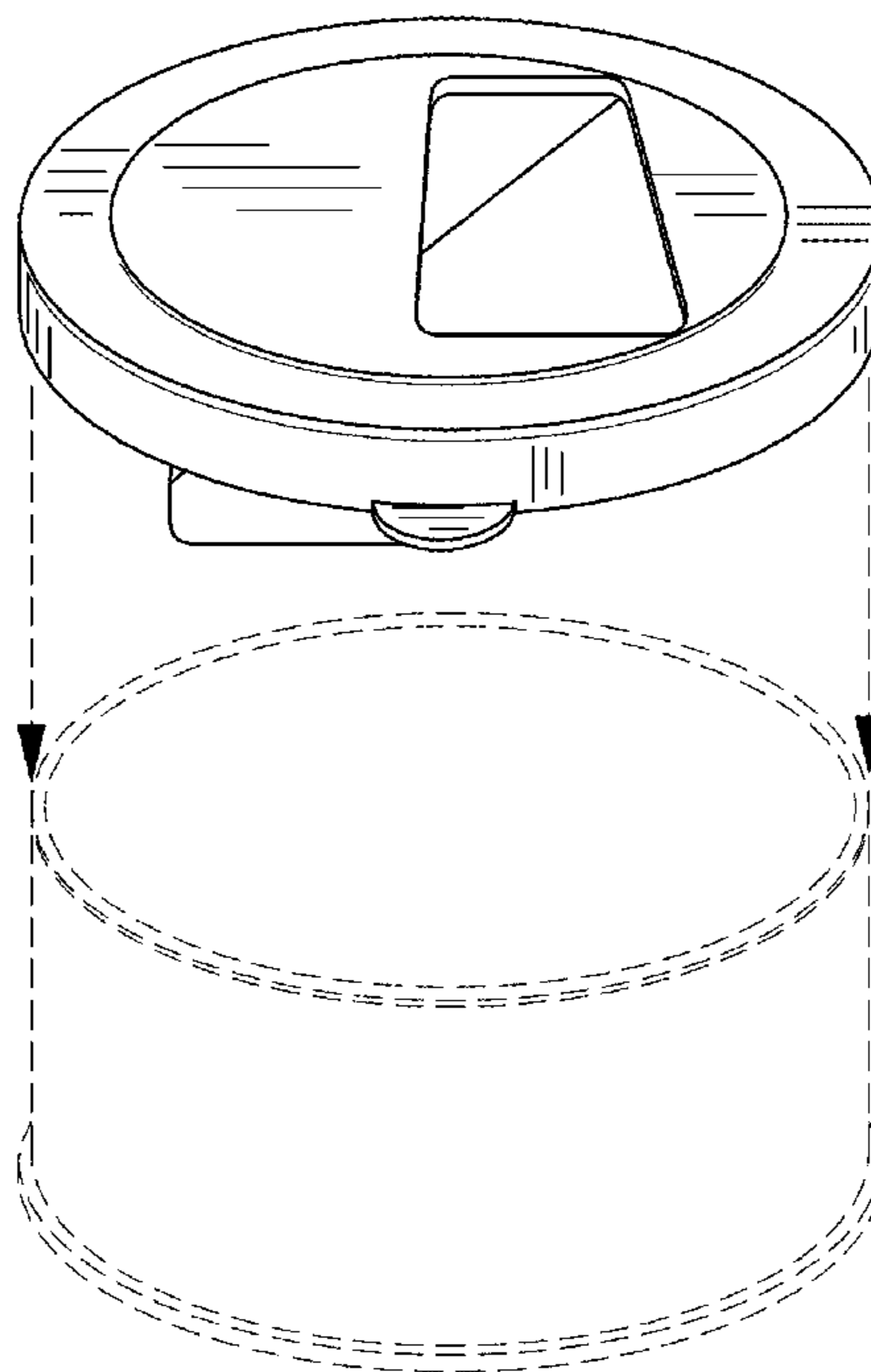
FIG. 9 is a bottom perspective view of the razor sanitizer attached to a sanitizing liquid container;

FIG. 10 is a sectional view of the plane taken from line 10-10 in FIG. 3; and,

FIG. 11 is a top perspective view of the razor sanitizer attached to a sanitizing liquid container and showing insertion of a razor into the razor sanitizer.

The broken lines in the drawing views illustrate environmental subject matters and form no part of the claimed design.

1 Claim, 6 Drawing Sheets



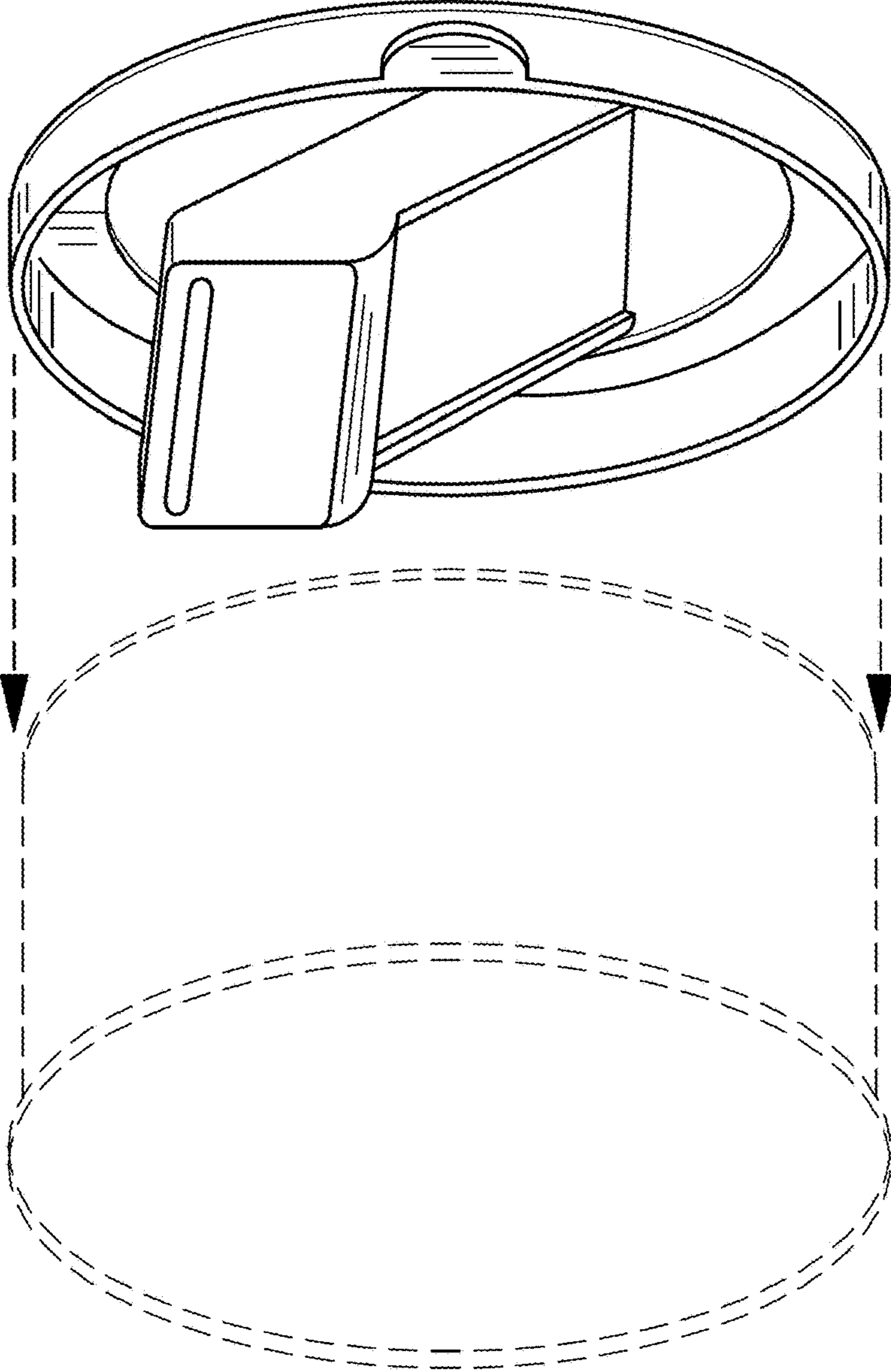


Fig. 1

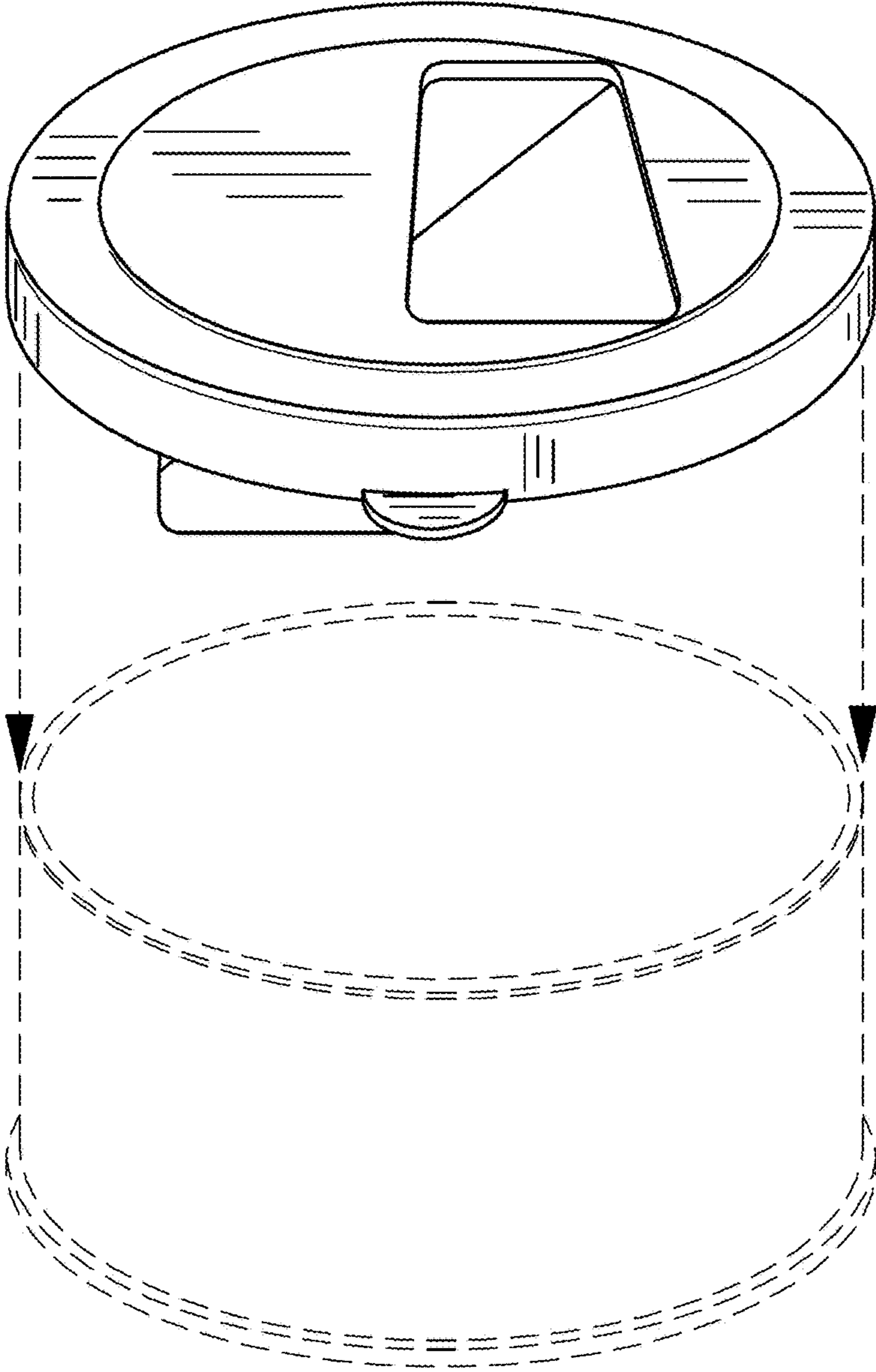


Fig. 2

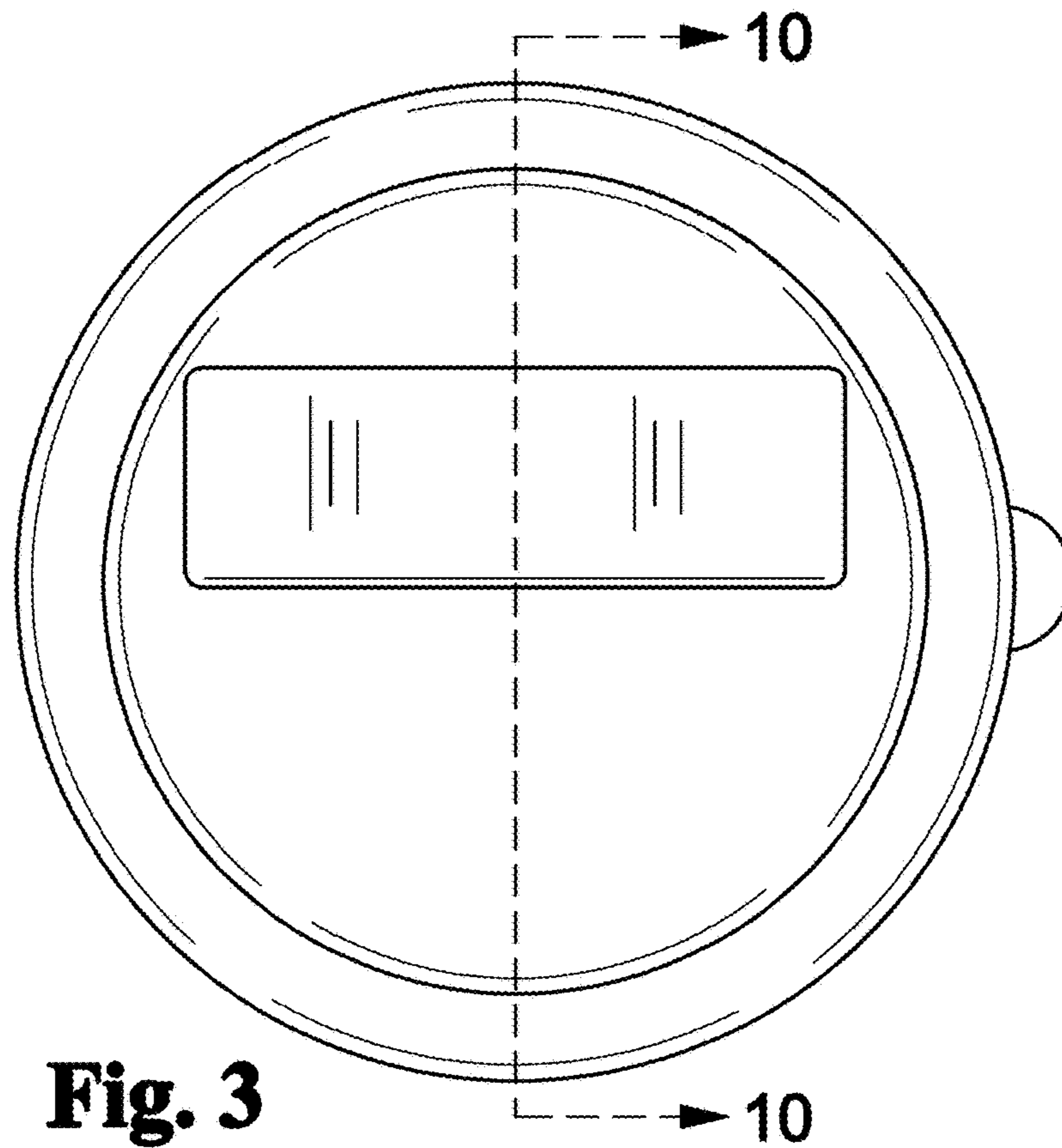


Fig. 3

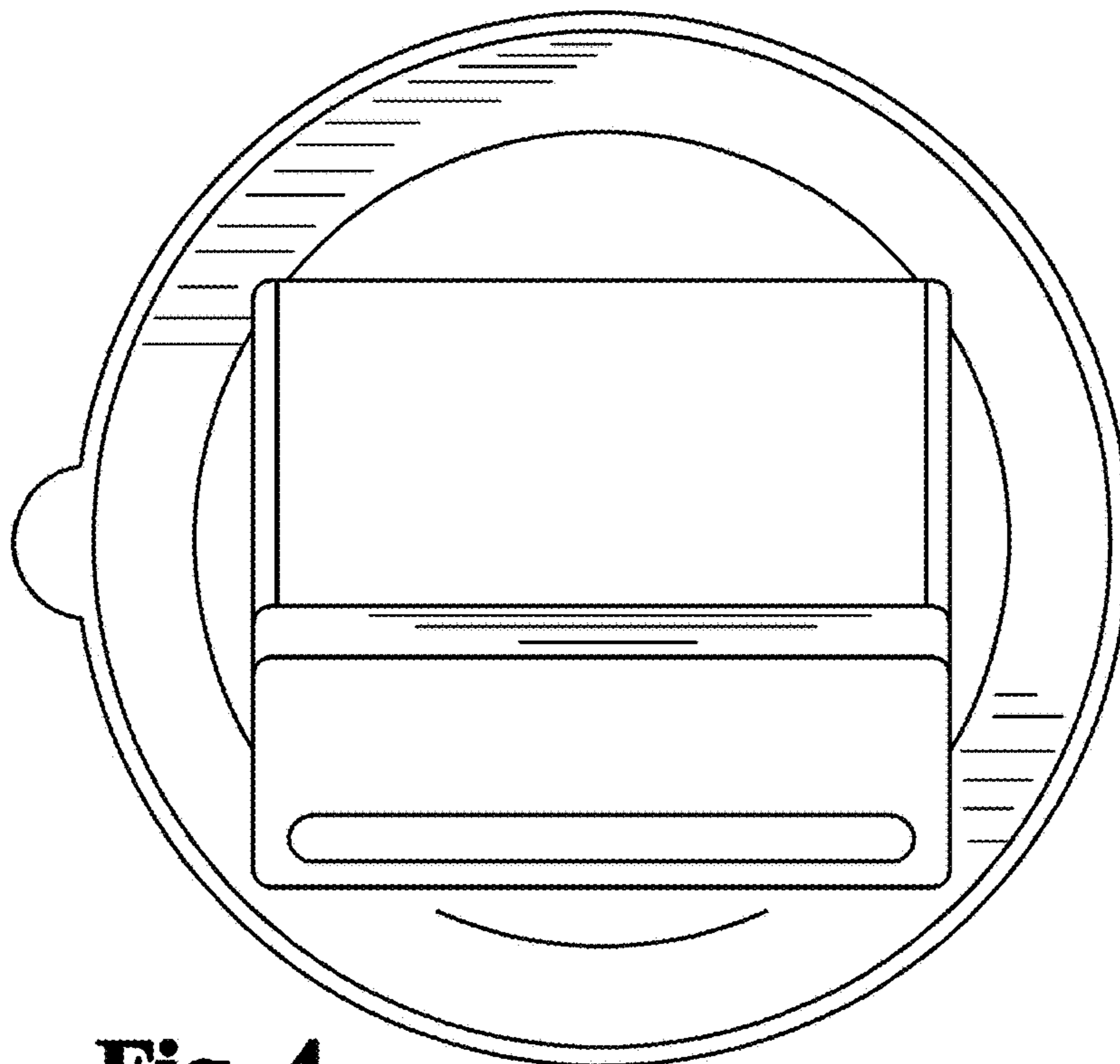


Fig. 4

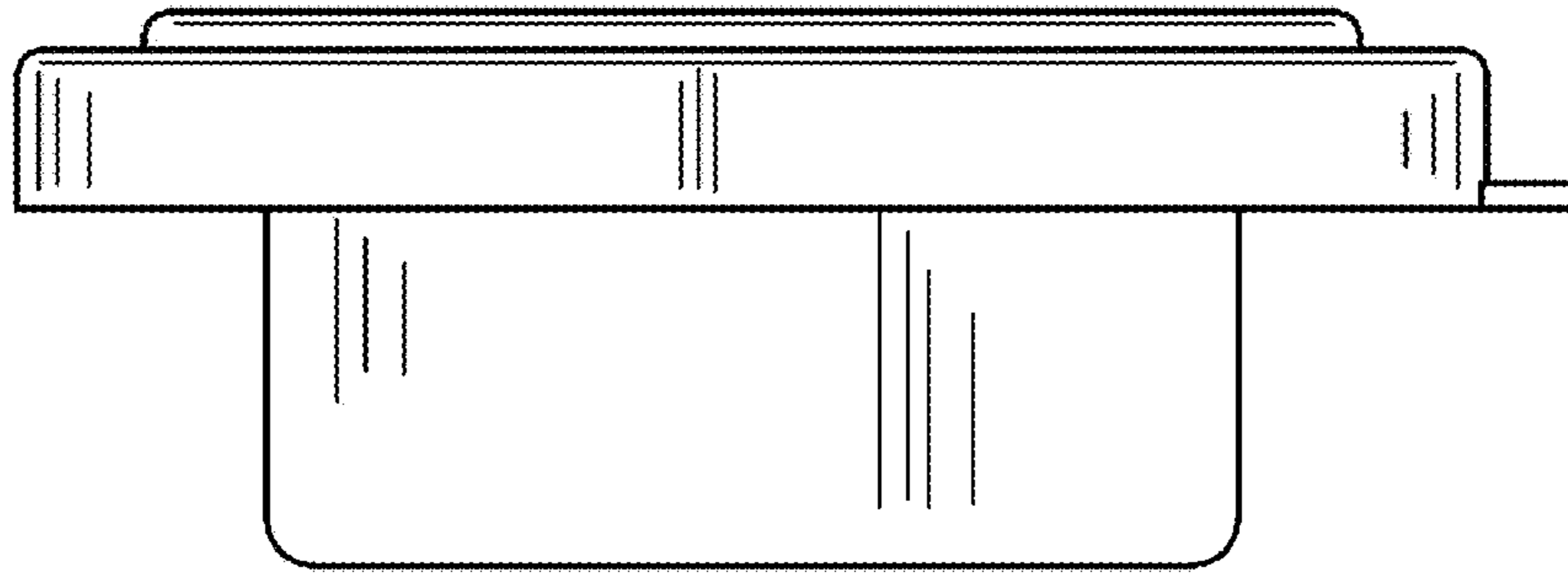


Fig. 5

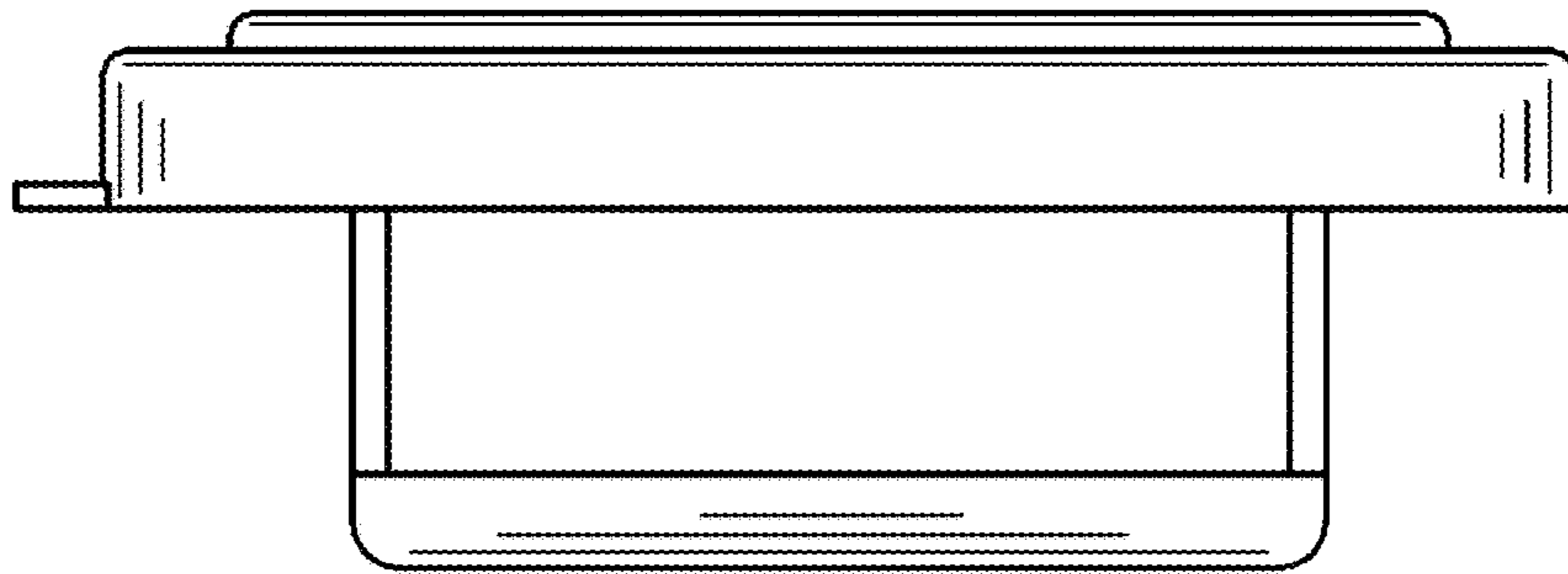


Fig. 6

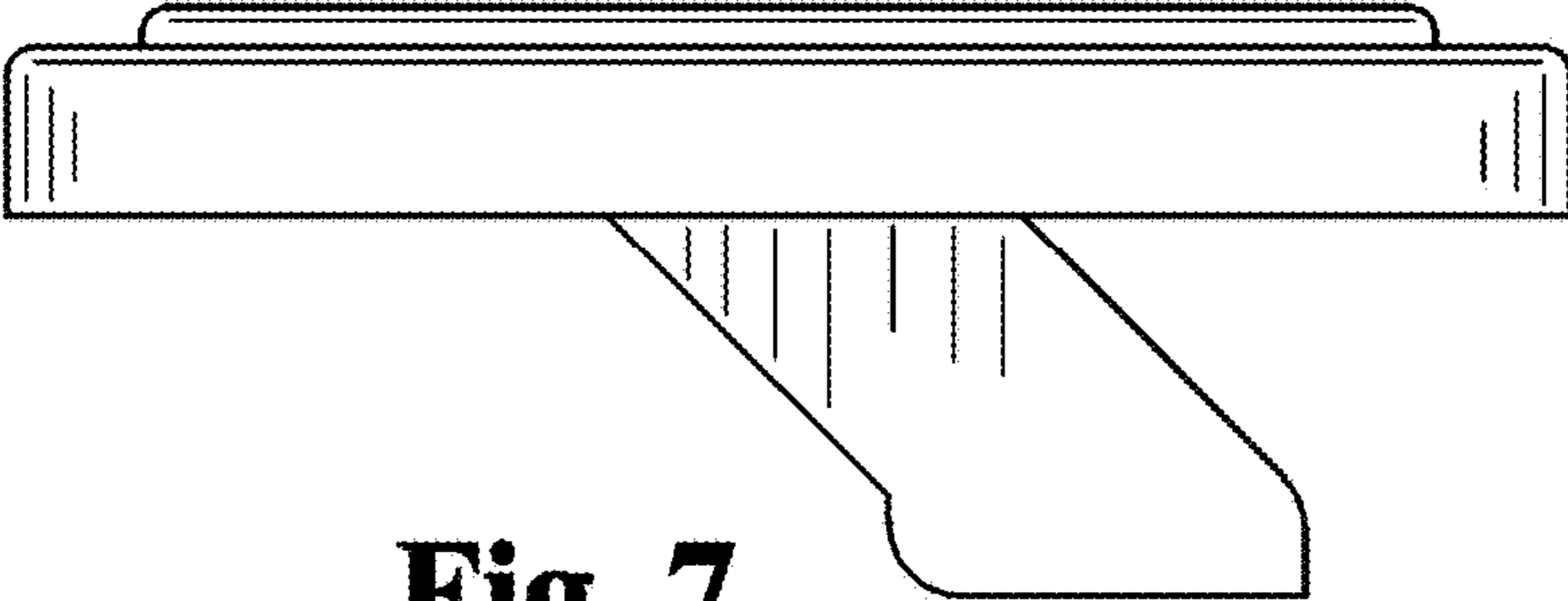


Fig. 7

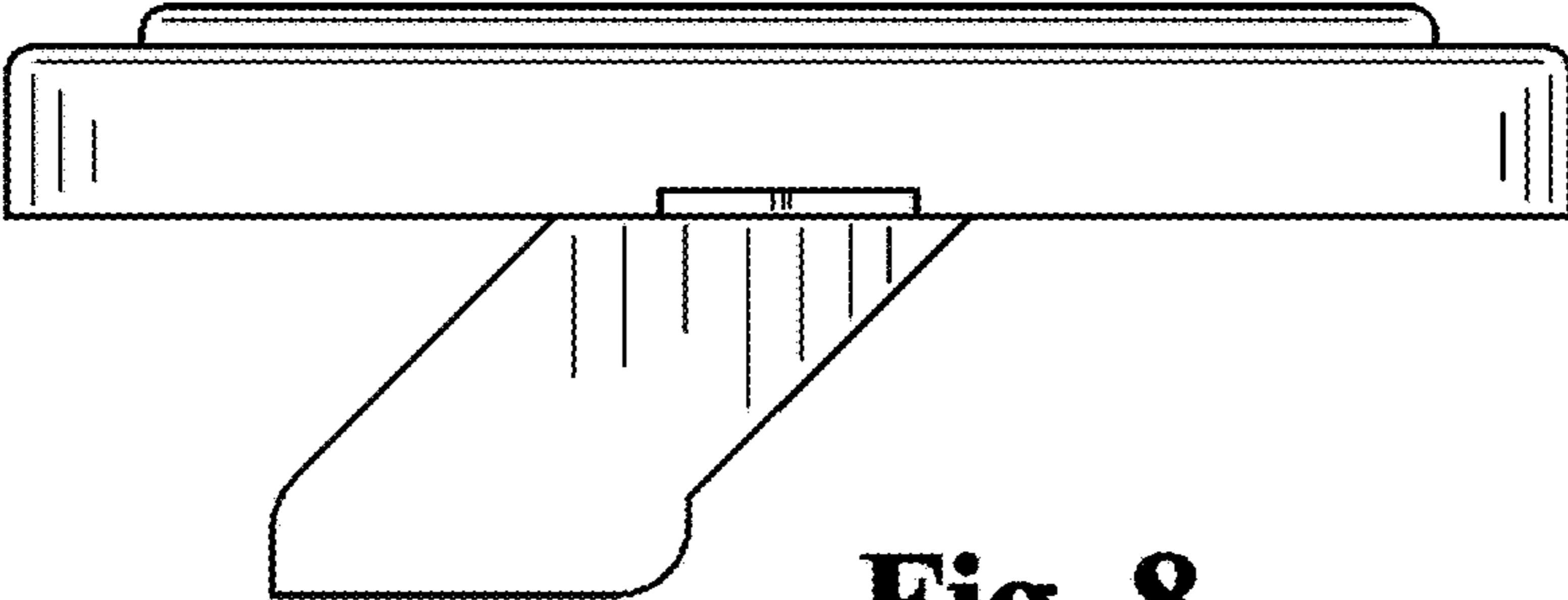


Fig. 8

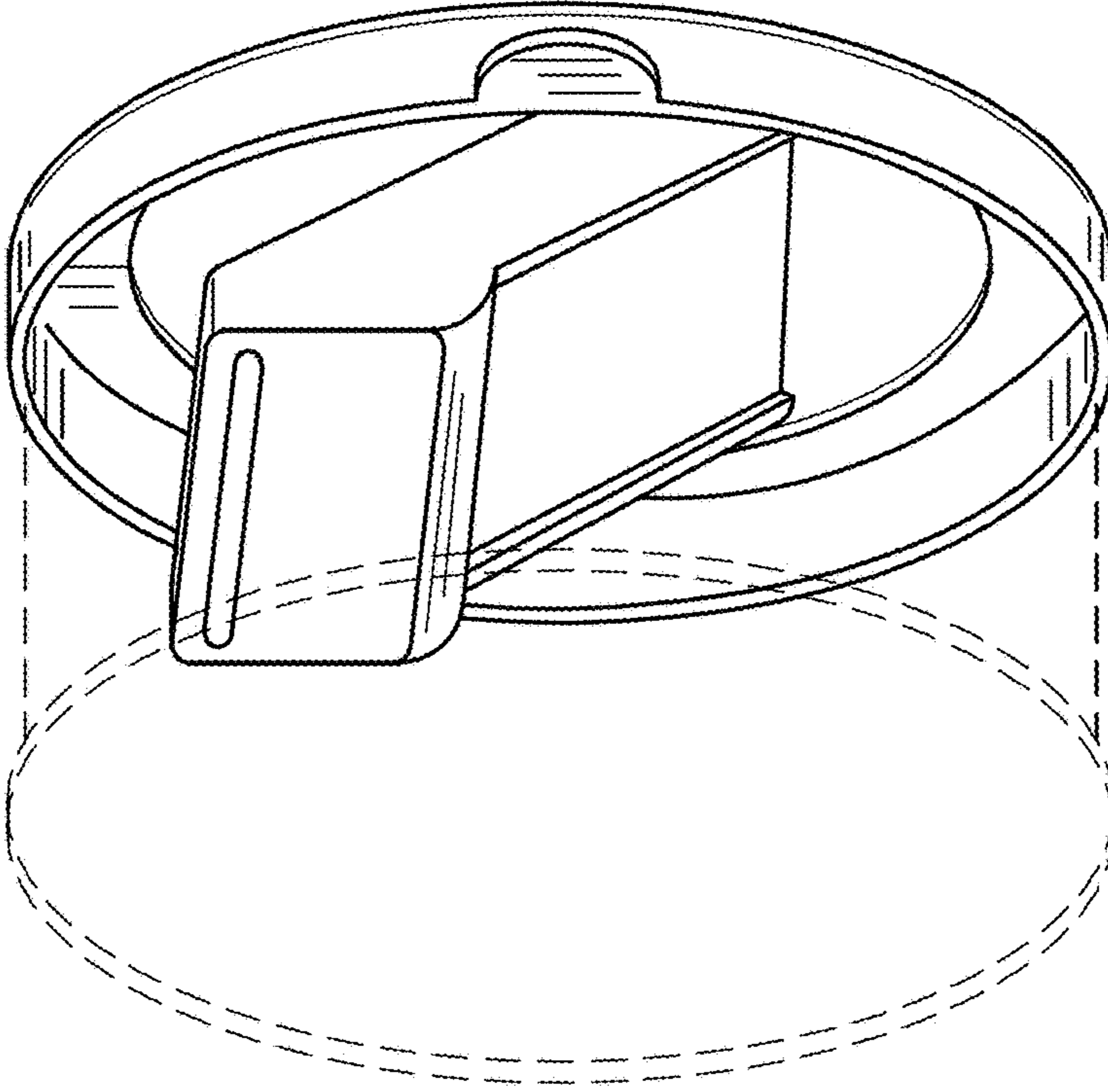


Fig. 9

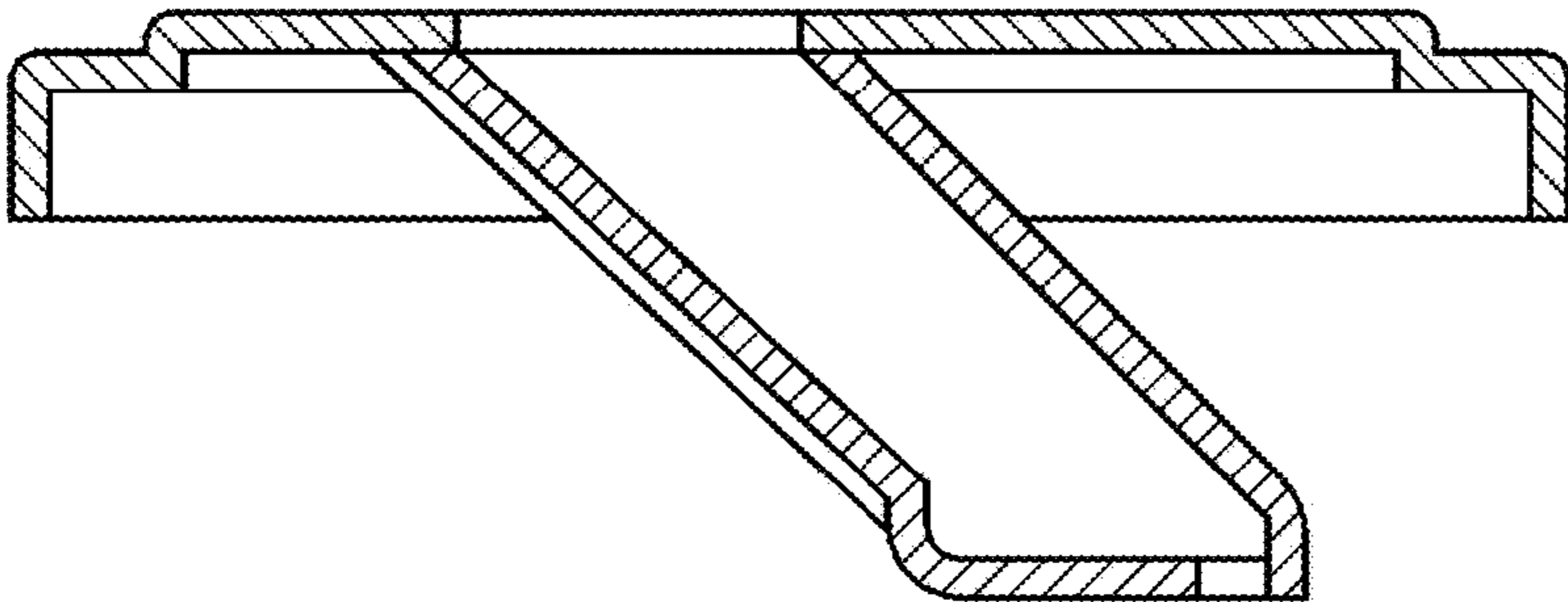


Fig. 10

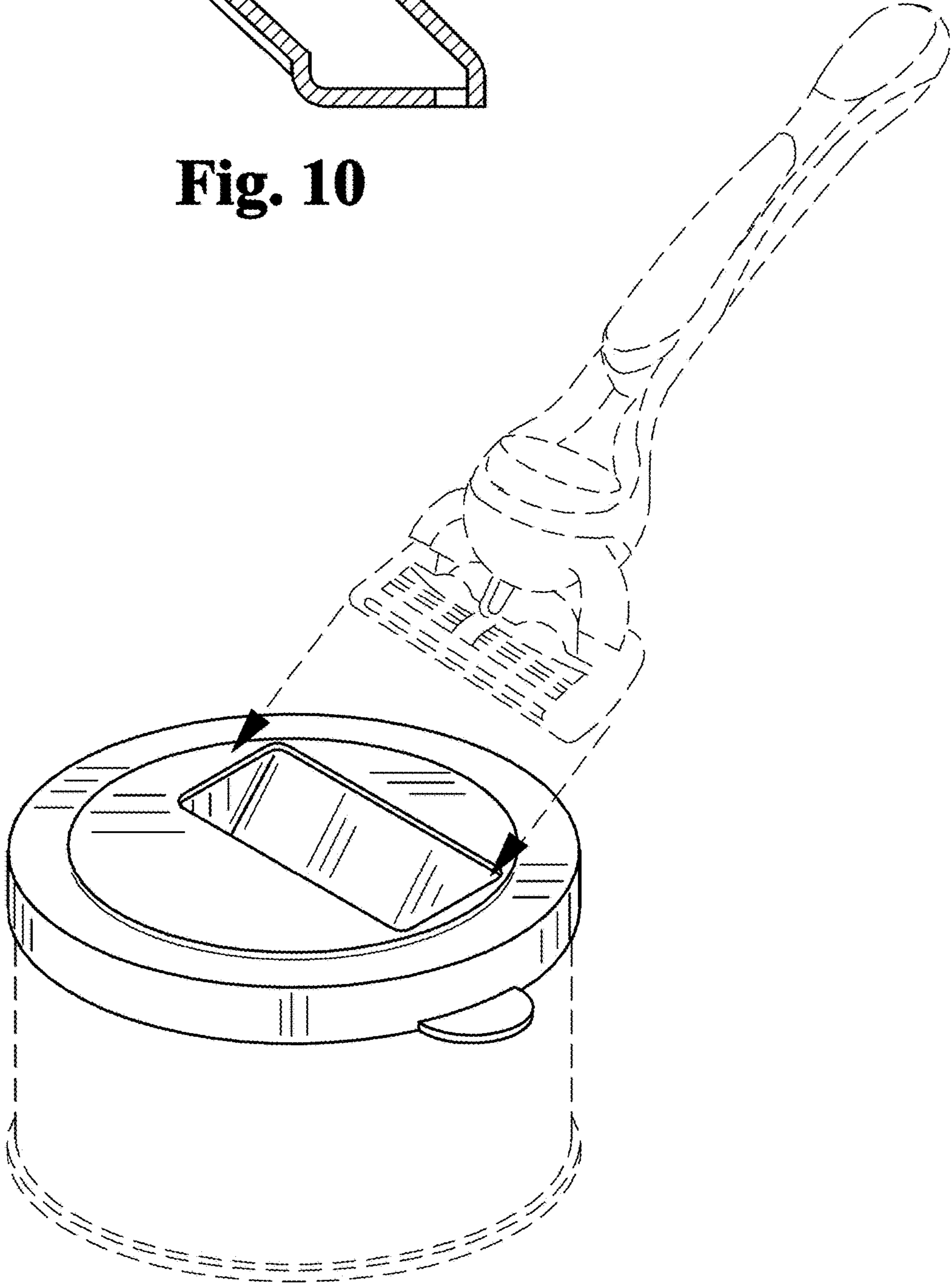


Fig. 11