



US00D850644S

(12) **United States Design Patent** (10) **Patent No.:** **US D850,644 S**  
**Sedic** (45) **Date of Patent:** **\*\* Jun. 4, 2019**

(54) **STIMULATION DEVICE**  
(71) Applicant: **Filip Sedic**, Shanghai (CN)  
(72) Inventor: **Filip Sedic**, Shanghai (CN)  
(\*\*) Term: **15 Years**  
(21) Appl. No.: **29/666,256**  
(22) Filed: **Oct. 11, 2018**

6,464,653 B1 10/2002 Hovland et al.  
D484,606 S \* 12/2003 Ahn ..... D24/200  
D500,854 S \* 1/2005 Eichel ..... D24/133  
D561,343 S \* 2/2008 Liang ..... D24/215  
D589,650 S \* 3/2009 Adriaenssen ..... D24/133  
D609,817 S \* 2/2010 Piller ..... D24/215

(Continued)

**FOREIGN PATENT DOCUMENTS**

DE 202015105689 12/2015  
WO WO2015039787 3/2015

**Related U.S. Application Data**

(63) Continuation of application No. 29/610,485, filed on Jul. 12, 2017, now Pat. No. Des. 835,796.  
(51) **LOC (11) Cl.** ..... **28-03**  
(52) **U.S. Cl.**  
USPC ..... **D24/215**  
(58) **Field of Classification Search**  
USPC .. 601/15, 18, 19, 27, 28-32, 46, 47, 48, 52, 601/99, 112, 113, 118, 122, 125, 129, 601/134, 135, 137, DIG. 12, DIG. 14, 601/DIG. 15, DIG. 16, DIG. 17; D24/133, 200, 211, 212, 213, 214, 215; D30/160; 600/38, 39, 40, 41; D9/723, D9/726, 727  
CPC ..... A61H 23/004; A61H 19/34; A61H 19/30; A61H 19/44; A61H 19/50; A61H 2201/0153; A61H 7/00  
See application file for complete search history.

**OTHER PUBLICATIONS**

Lelo, "Sona Cruise", Nov. 16, 2017. <https://www.lelo.com/sona-cruise>. Shown on p. 1. (Year: 2017).\*

(Continued)

*Primary Examiner* — Cynthia Ramirez  
*Assistant Examiner* — Michael A Maharajh  
(74) *Attorney, Agent, or Firm* — Evan Feldstein

(57) **CLAIM**

I claim the ornamental design for a stimulation device, as shown and described.

**DESCRIPTION**

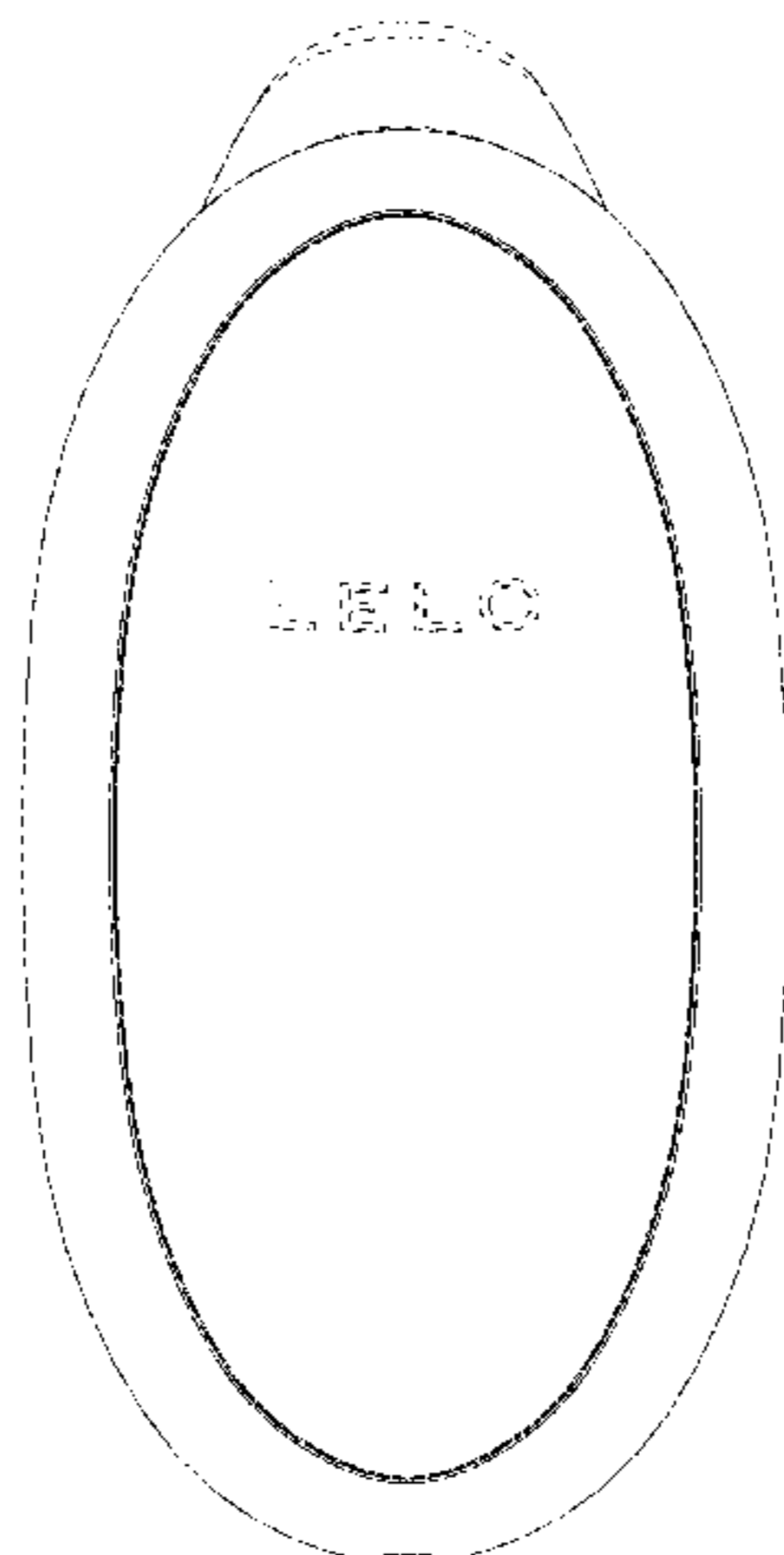
FIG. 1 is a rear view of the stimulation device showing my new design;  
FIG. 2 is a left side view thereof;  
FIG. 3 is a front view thereof;  
FIG. 4 is a right side view thereof;  
FIG. 5 is a top view thereof;  
FIG. 6 is a bottom view thereof;  
FIG. 7 is a perspective view thereof; and,  
FIG. 8 is another perspective view thereof.  
The broken lines are directed to environment and are for illustrative purposes only; the broken lines form no part of the claimed design.

(56) **References Cited**

**U.S. PATENT DOCUMENTS**

D234,725 S \* 4/1975 Yamada ..... D24/214  
D263,872 S \* 4/1982 Rakocy ..... D24/214  
D323,034 S \* 1/1992 Reinstein ..... D24/200  
D331,288 S \* 11/1992 Yuen ..... D24/200  
D352,556 S \* 11/1994 McShirley ..... D24/214  
D355,259 S \* 2/1995 Lie ..... D24/215  
D407,498 S \* 3/1999 Cooper ..... D24/214  
6,099,463 A 8/2000 Hockhalter  
6,179,775 B1 1/2001 Thompson

**1 Claim, 8 Drawing Sheets**



(56)

**References Cited**

U.S. PATENT DOCUMENTS

7,670,280 B2 3/2010 Gloth  
 D665,091 S \* 8/2012 Mistry ..... D24/215  
 D684,723 S \* 6/2013 Tsai ..... D24/133  
 8,579,837 B1 11/2013 Makower et al.  
 D703,337 S \* 4/2014 Fuhr ..... D24/200  
 D709,617 S \* 7/2014 Iliesco de Grimaldi .... D24/203  
 8,784,297 B2 7/2014 Mertens et al.  
 8,870,746 B2 10/2014 Carlson  
 9,011,316 B2 4/2015 Mertens et al.  
 D736,399 S \* 8/2015 Nichols ..... D24/214  
 D737,441 S \* 8/2015 Presser ..... D24/146  
 D738,516 S \* 9/2015 Karim ..... D24/200  
 D742,003 S \* 10/2015 Tasar ..... D24/146  
 D744,665 S 12/2015 Lamb et al.  
 D757,953 S \* 5/2016 Philips ..... D24/200  
 D759,256 S \* 6/2016 Chen ..... D24/200  
 D759,831 S \* 6/2016 Levi ..... D24/200  
 D780,933 S \* 3/2017 Uchida ..... D24/200  
 D787,083 S \* 5/2017 Ely ..... D24/209

D794,854 S \* 8/2017 Zepter ..... D24/200  
 D795,423 S \* 8/2017 Chen ..... D24/133  
 D820,263 S \* 6/2018 Rebello ..... D14/426  
 D822,843 S \* 7/2018 Lenke ..... D24/215  
 D825,073 S \* 8/2018 Lenke ..... D24/215  
 2012/0150076 A1 6/2012 Clarvoe  
 2012/0215141 A1 8/2012 Peddicord  
 2013/0178769 A1 7/2013 Schmidt  
 2014/0221737 A1 8/2014 Liu  
 2016/0213557 A1 7/2016 Lenke

OTHER PUBLICATIONS

Sextoy.com, “Original Clitoral Vibrating Pump—Pink,” accessed Jun. 14, 2016, <https://www.sextoy.com/product/SE062304/onginal-clitoral-vibrating-pump-pink>.  
 Sextoy.com, “Vibrating Clit Suckers & Pussy Pumps for vaginal & clitoral pumping,” accessed Jun. 14, 2016, <https://www.sextoy.com/category/26/Vibrators/Clit-Suckers-and-Pussy-Pumps>.

\* cited by examiner

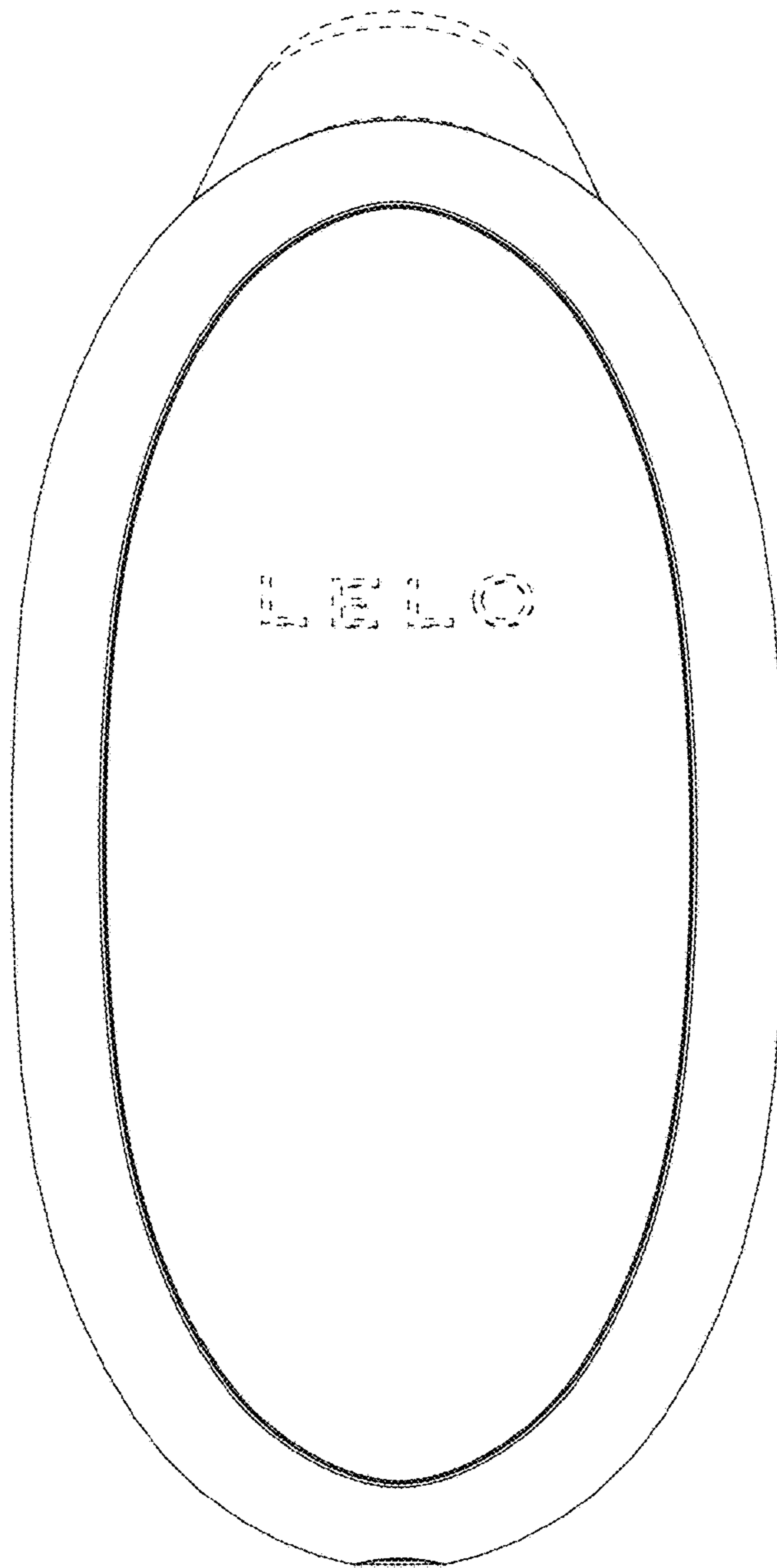


FIG. 1

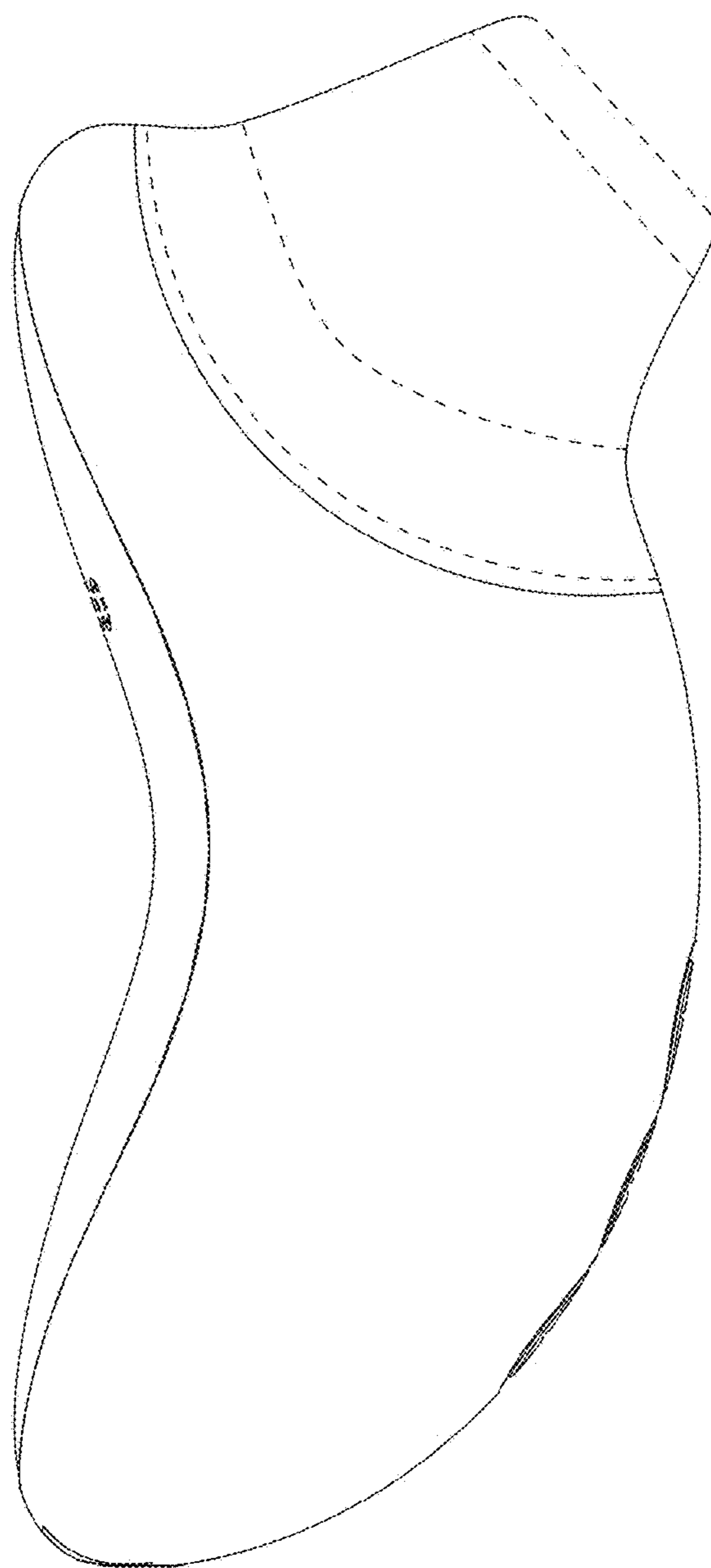


FIG. 2

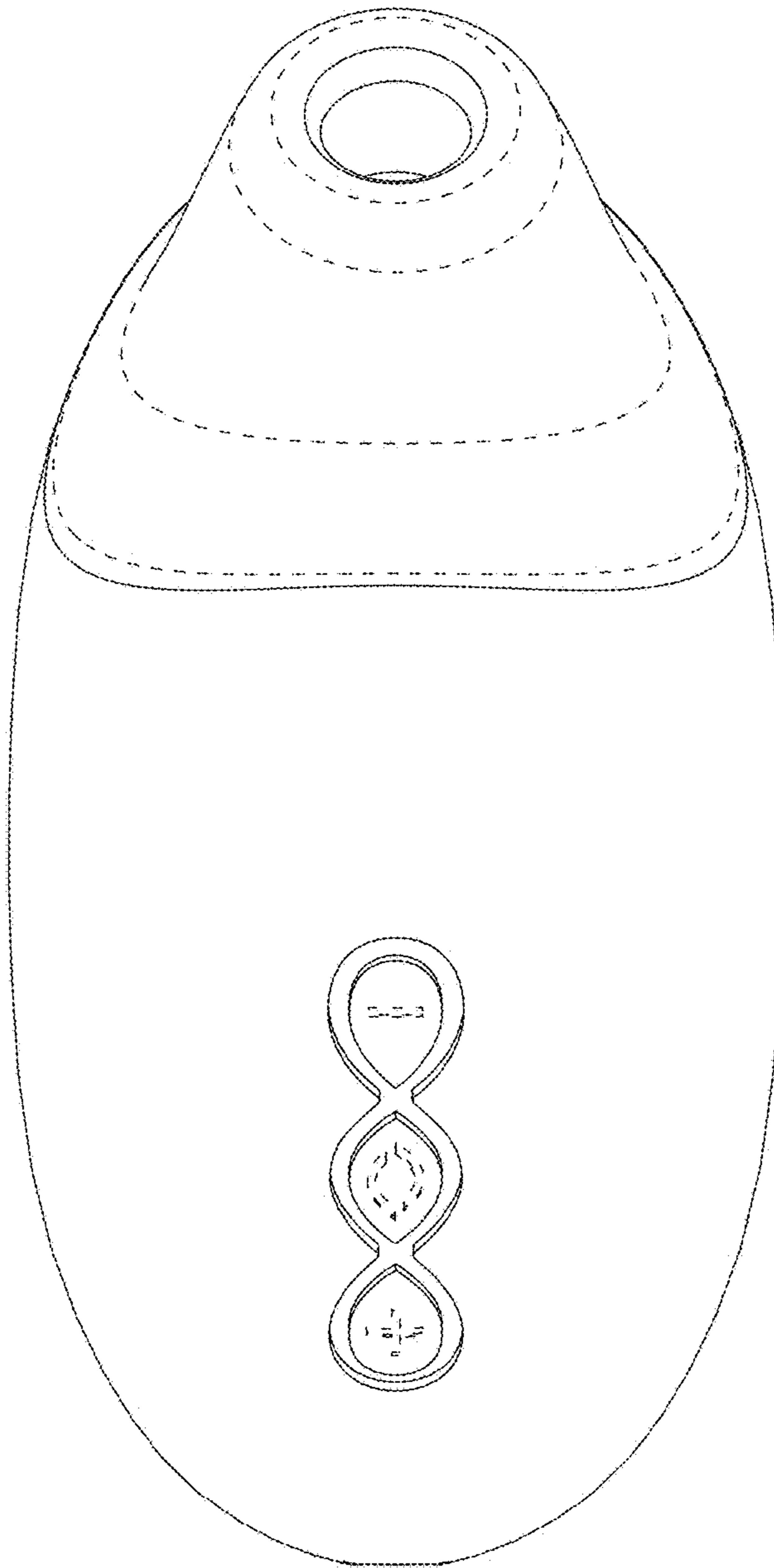
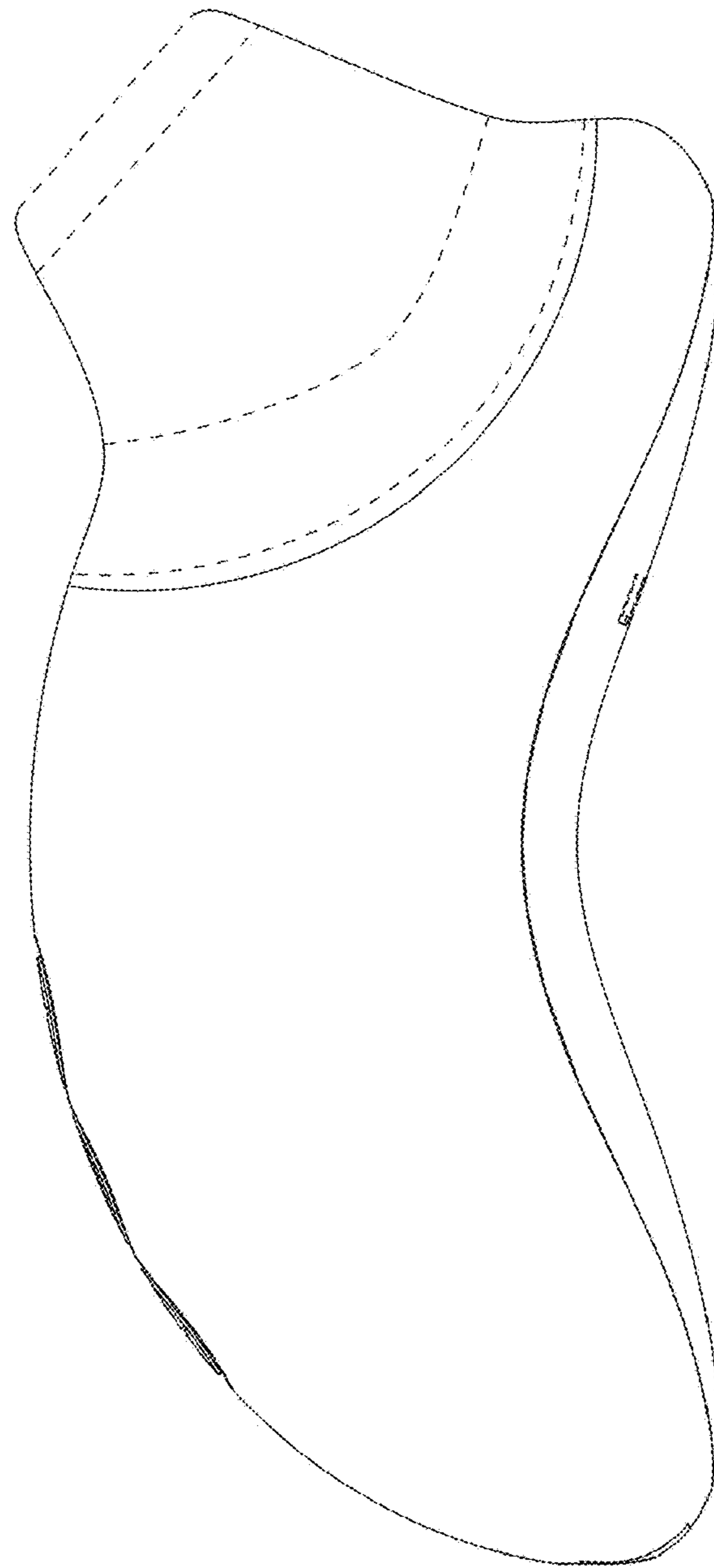
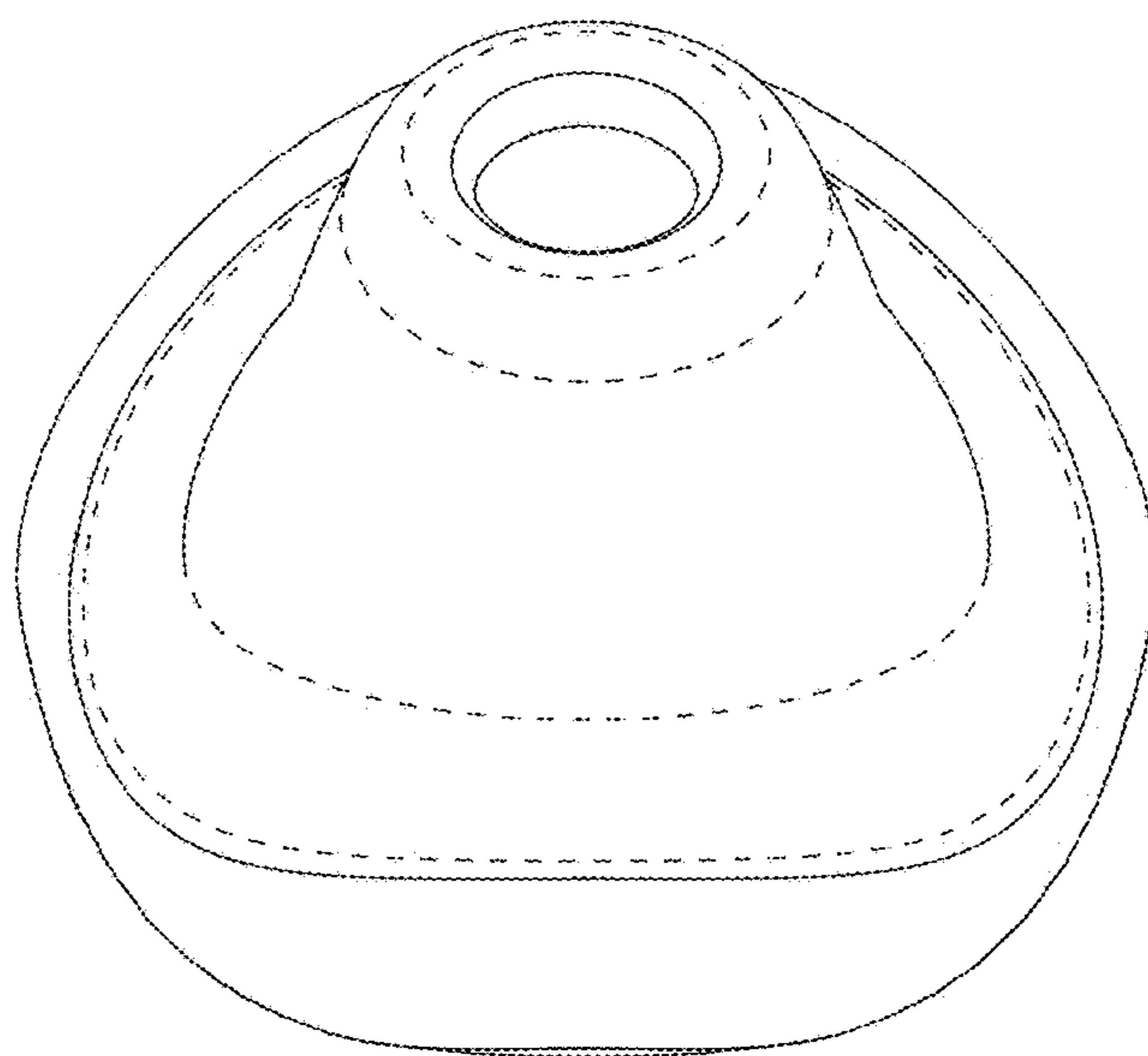


FIG. 3

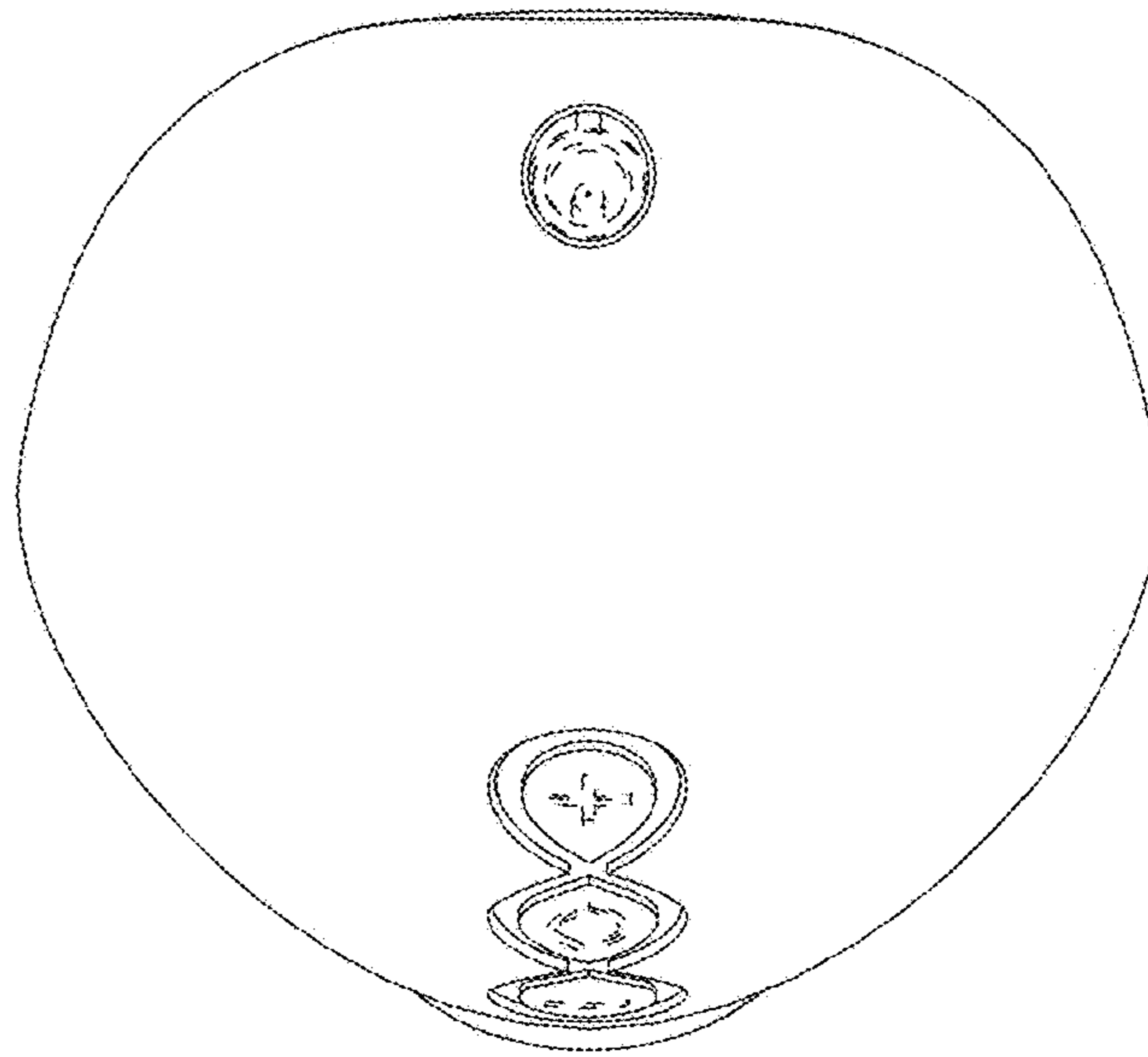


**FIG. 4**



**FIG. 5**





**FIG. 6**



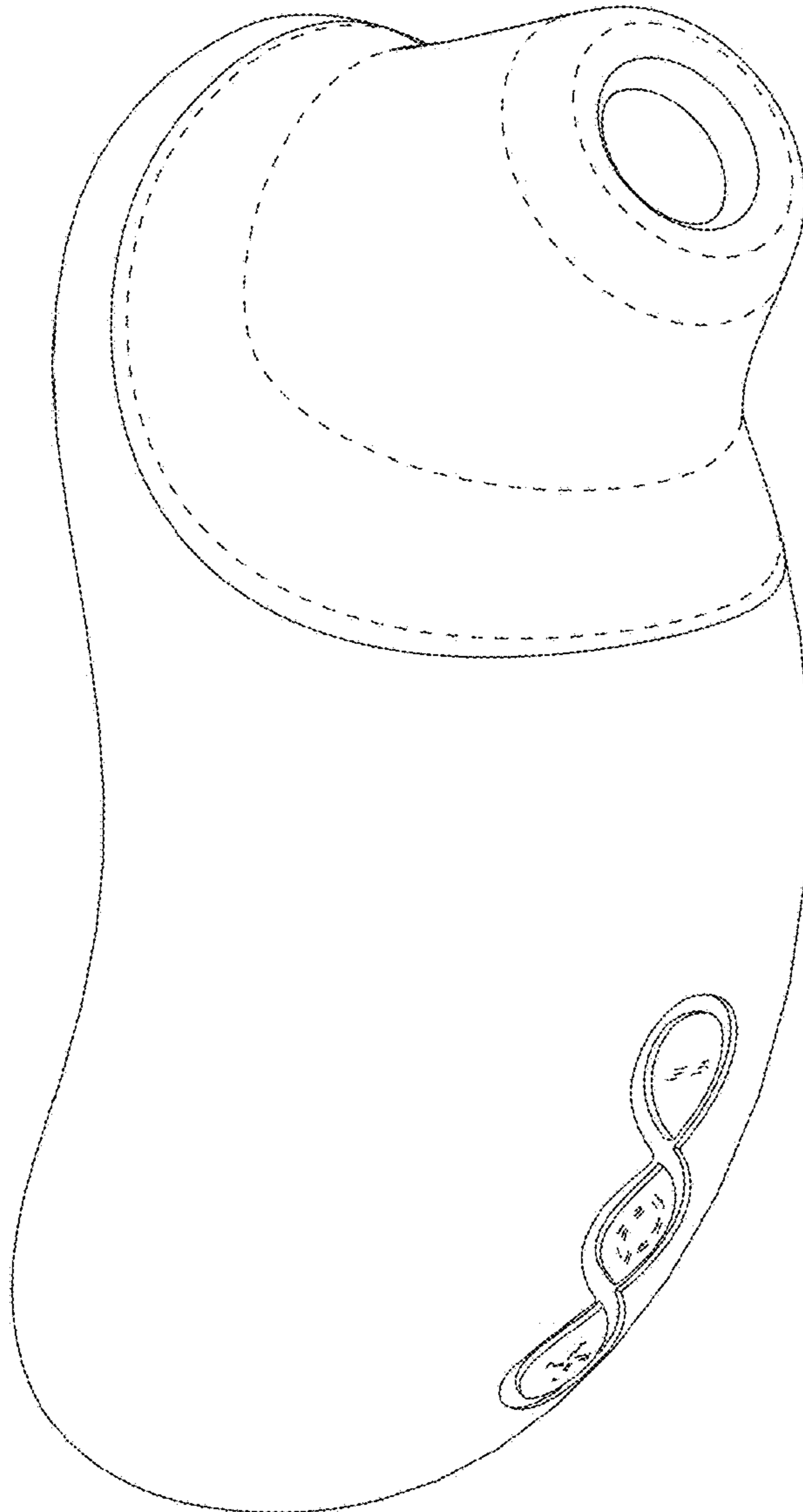
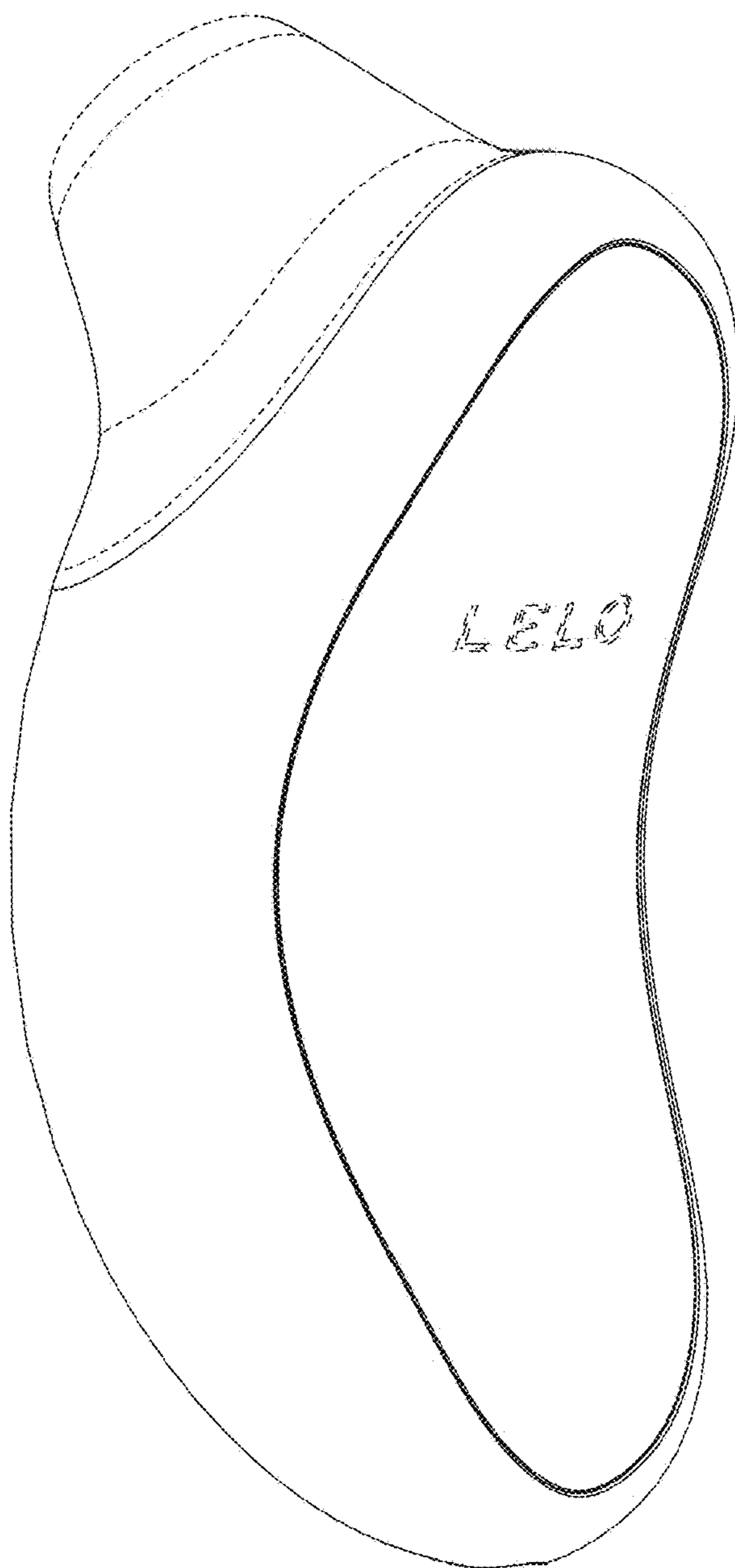


FIG. 7



**FIG. 8**