



US00D850643S

(12) **United States Design Patent**
Zhong et al.

(10) **Patent No.:** **US D850,643 S**
(45) **Date of Patent:** **** Jun. 4, 2019**

(54) **SHOULDER MASSAGER**

(71) Applicant: **Shenzhen Pinlong E-commerce co., Ltd.**, Shenzhen (CN)

(72) Inventors: **Ming Zhong**, Shenzhen (CN);
Zhaoping Huang, Shenzhen (CN)

(**) Term: **15 Years**

(21) Appl. No.: **29/654,973**

(22) Filed: **Jun. 28, 2018**

(51) **LOC (11) Cl.** **28-03**

(52) **U.S. Cl.**
USPC **D24/215**

(58) **Field of Classification Search**
USPC D24/200, 211, 212, 213, 214, 215;
601/19, 22, 40, 46, 52, 63, 99, 110–113,
601/118–120, 125, DIG. 12, DIG. 14,
601/DIG. 15, DIG. 16, DIG. 17
CPC A61H 1/00; A61H 2015/0007; A61H
2015/0014; A61H 2015/0042; A61H
15/00; A61H 11/00; A61H 21/00; A61H
37/00

See application file for complete search history.

(56) **References Cited**

U.S. PATENT DOCUMENTS

5,143,057 A * 9/1992 DePasquale A61H 7/001
482/131

D389,584 S * 1/1998 Leventhal D24/200

6,699,271 B2 * 3/2004 Clayton A61F 7/02
607/109

D517,217 S * 3/2006 Zou D24/215

D609,818 S * 2/2010 Tsang D24/215

D625,427 S * 10/2010 Lee D24/214

D649,655 S * 11/2011 Petersen D24/215

D674,501 S * 1/2013 Petersen D24/215

D705,436 S * 5/2014 Chen D24/215

D768,024 S * 10/2016 Dayal D10/65

9,629,774 B2 * 4/2017 Dayal G01C 21/206

9,677,901 B2 * 6/2017 Yamamoto G01C 21/3655

9,898,039 B2 * 2/2018 Moore A61B 5/02438

D812,238 S * 3/2018 Ho D24/200

D816,858 S * 5/2018 Gan D24/215

D817,508 S * 5/2018 Gan D24/215

D818,596 S * 5/2018 Zheng D24/200

9,958,275 B2 * 5/2018 Chelian H04B 1/385

10,012,505 B2 * 7/2018 Dayal G01C 21/00

2009/0118652 A1 * 5/2009 Carlucci A61H 7/007
601/134

* cited by examiner

Primary Examiner — Sandra S Snapp
(74) *Attorney, Agent, or Firm* — W&K IP

(57) **CLAIM**

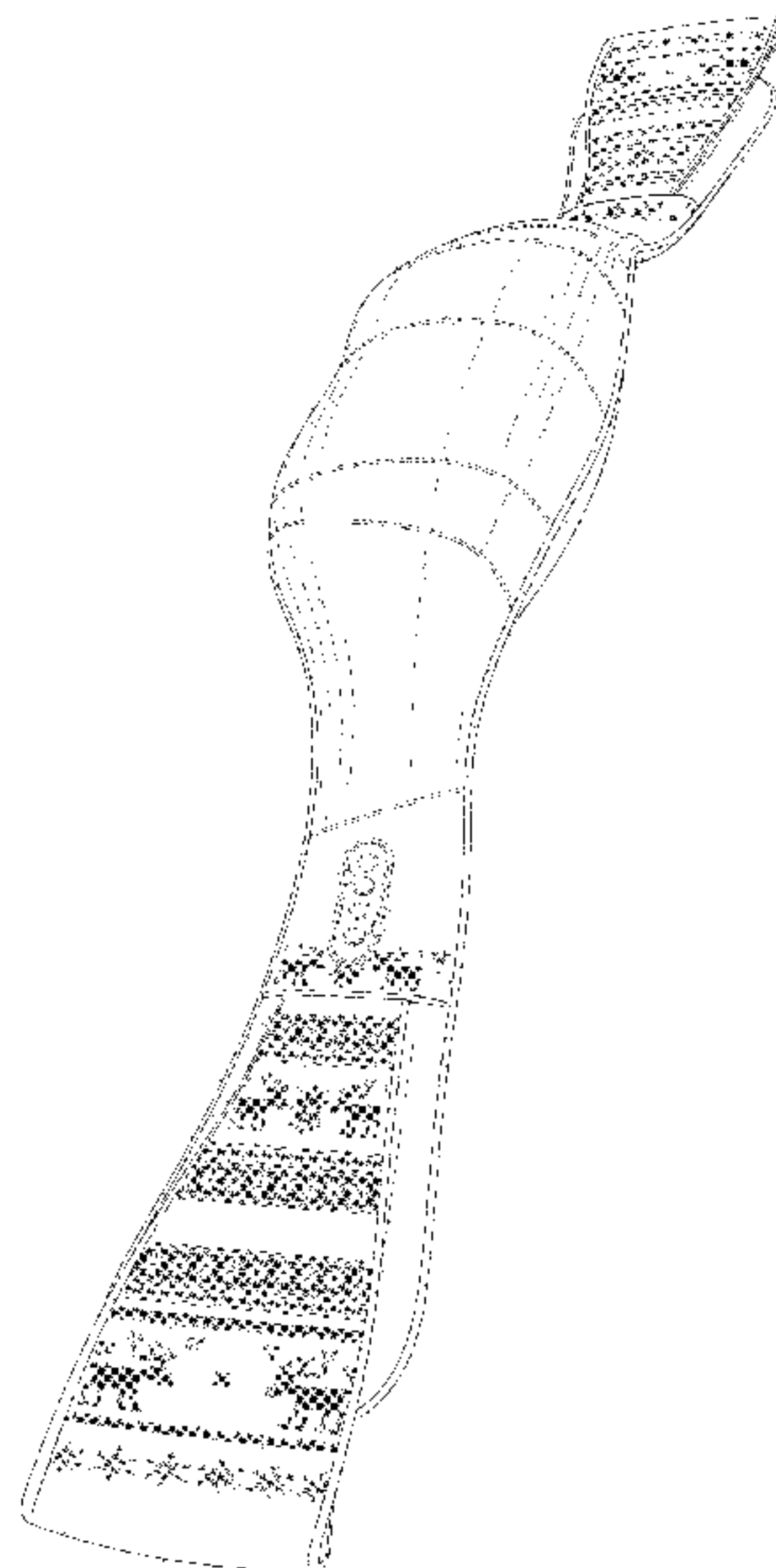
The ornamental design for a shoulder massager, as shown and described.

DESCRIPTION

FIG. 1 is a front elevation view of a shoulder massager;
FIG. 2 is a rear elevation view thereof;
FIG. 3 is a left side elevation view thereof;
FIG. 4 is a right side elevation view thereof;
FIG. 5 is an enlarged top perspective view thereof;
FIG. 6 is an enlarged bottom perspective view thereof; and,
FIG. 7 is a perspective view thereof.

In the drawings, the broken lines depict portions of the shoulder massager and form no part of the claimed design.

1 Claim, 7 Drawing Sheets



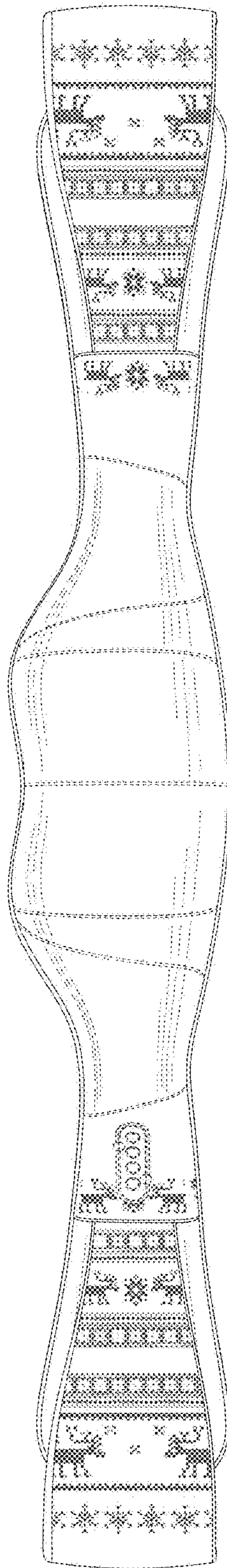


FIG.1

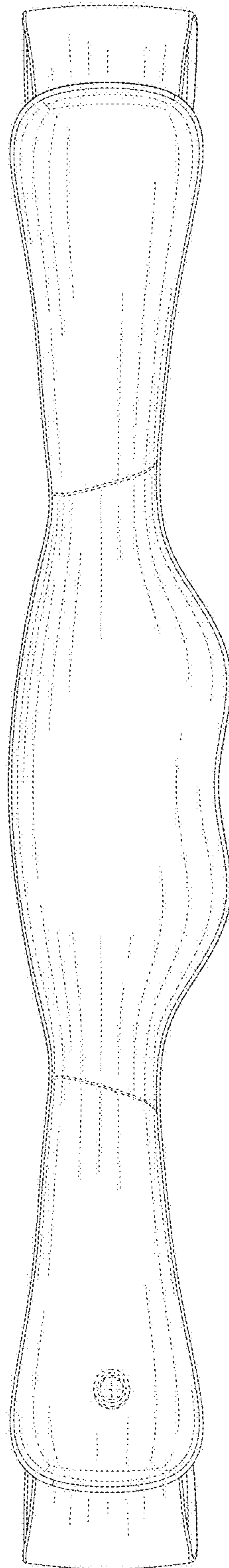


FIG.2

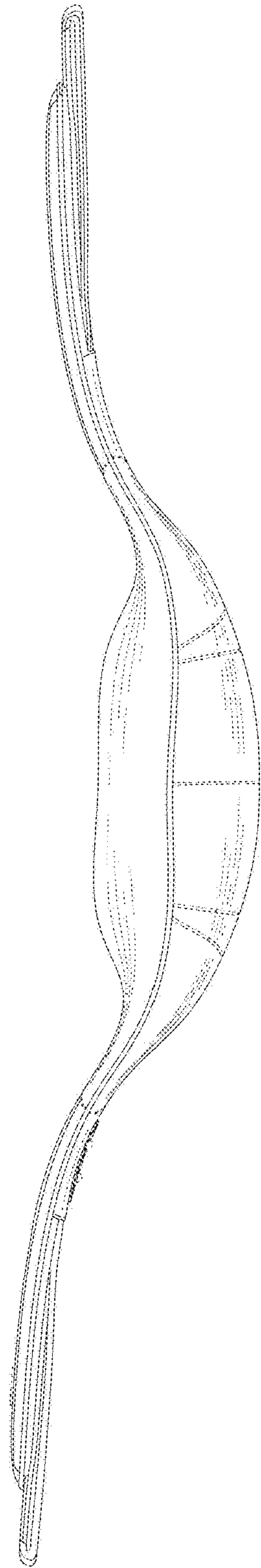


FIG.3

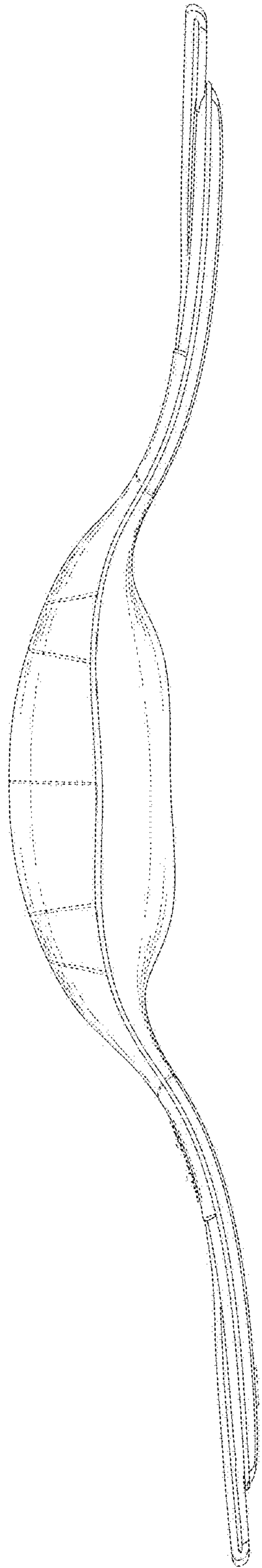


FIG.4

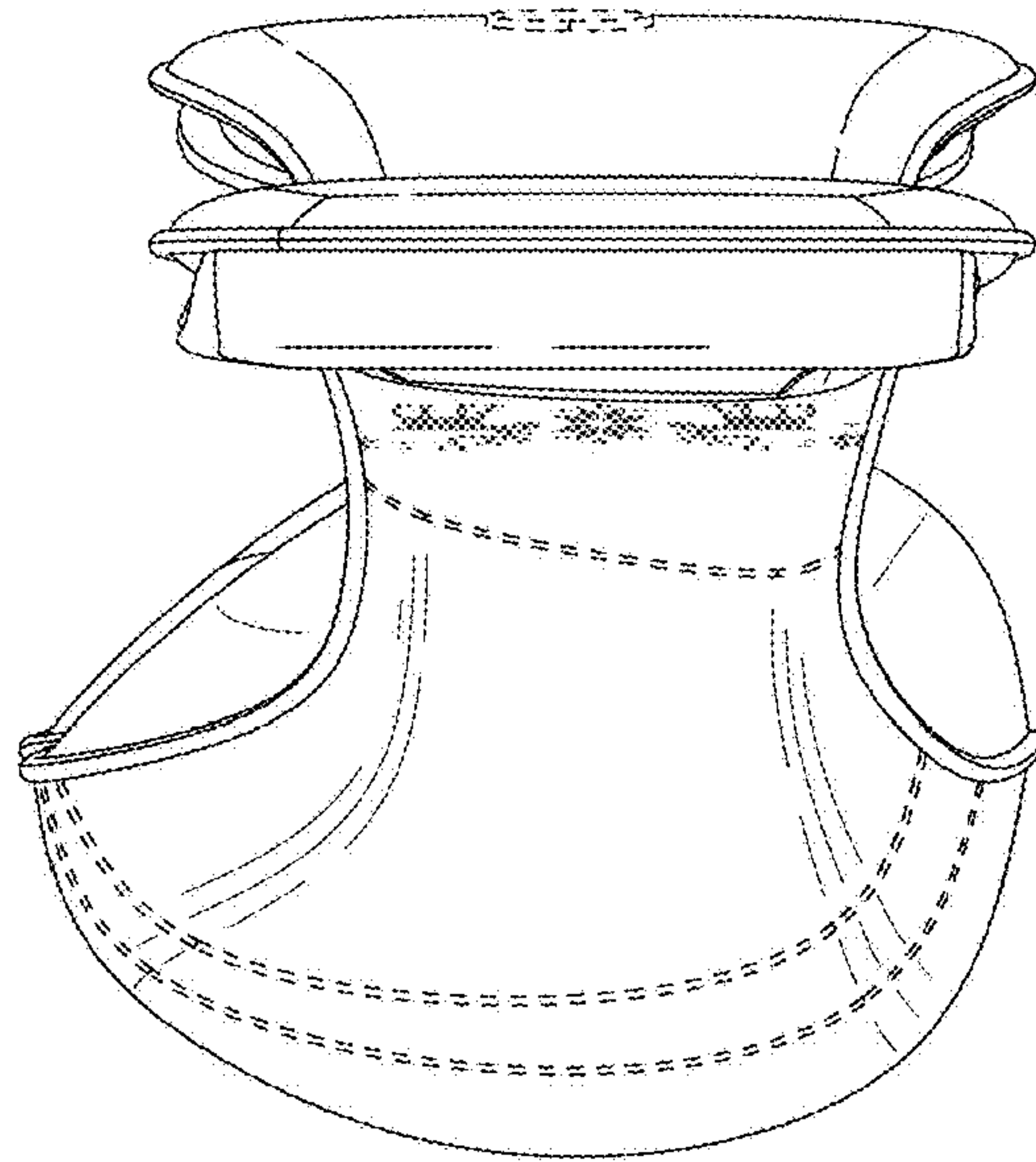


FIG.5

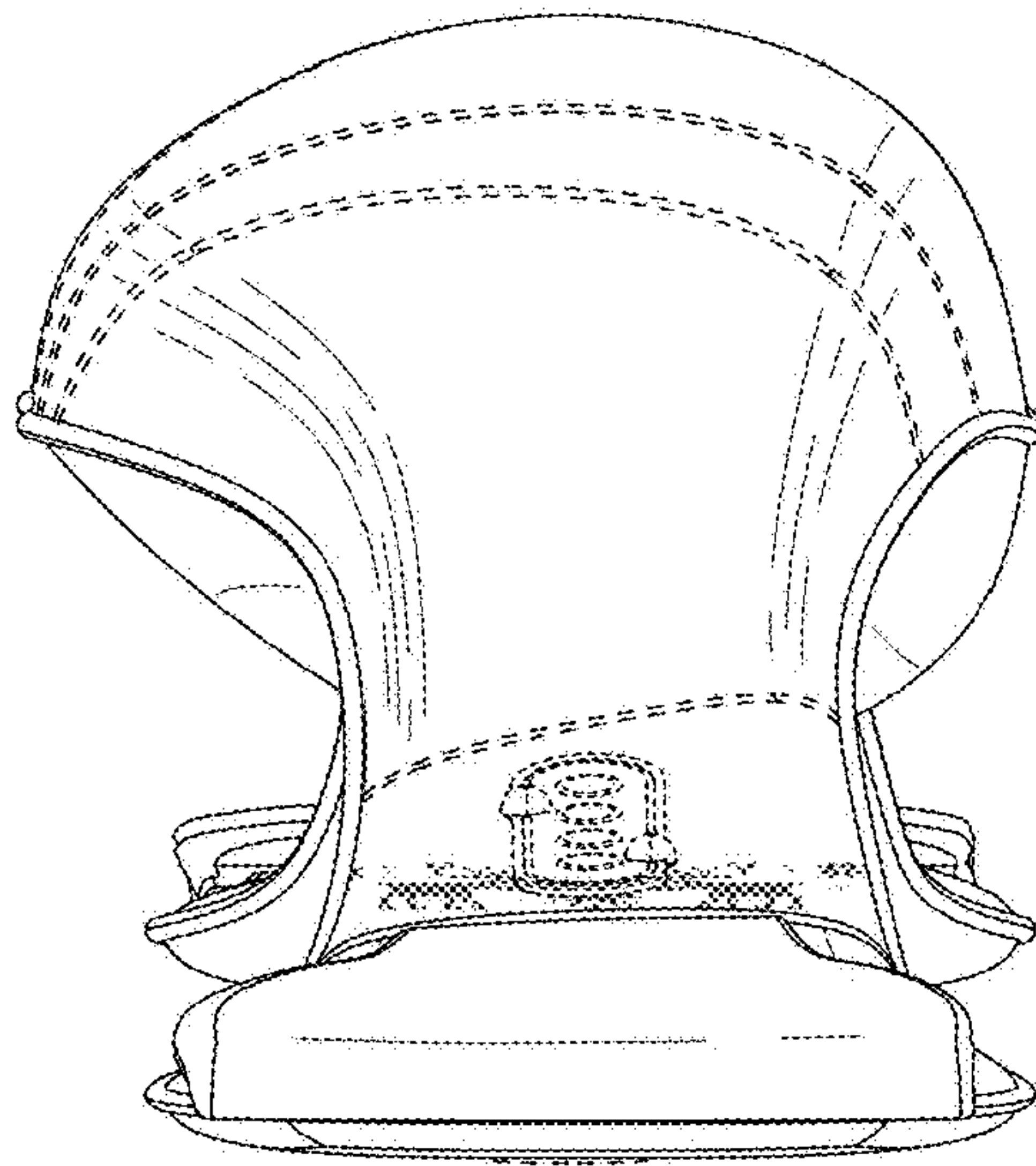


FIG. 6

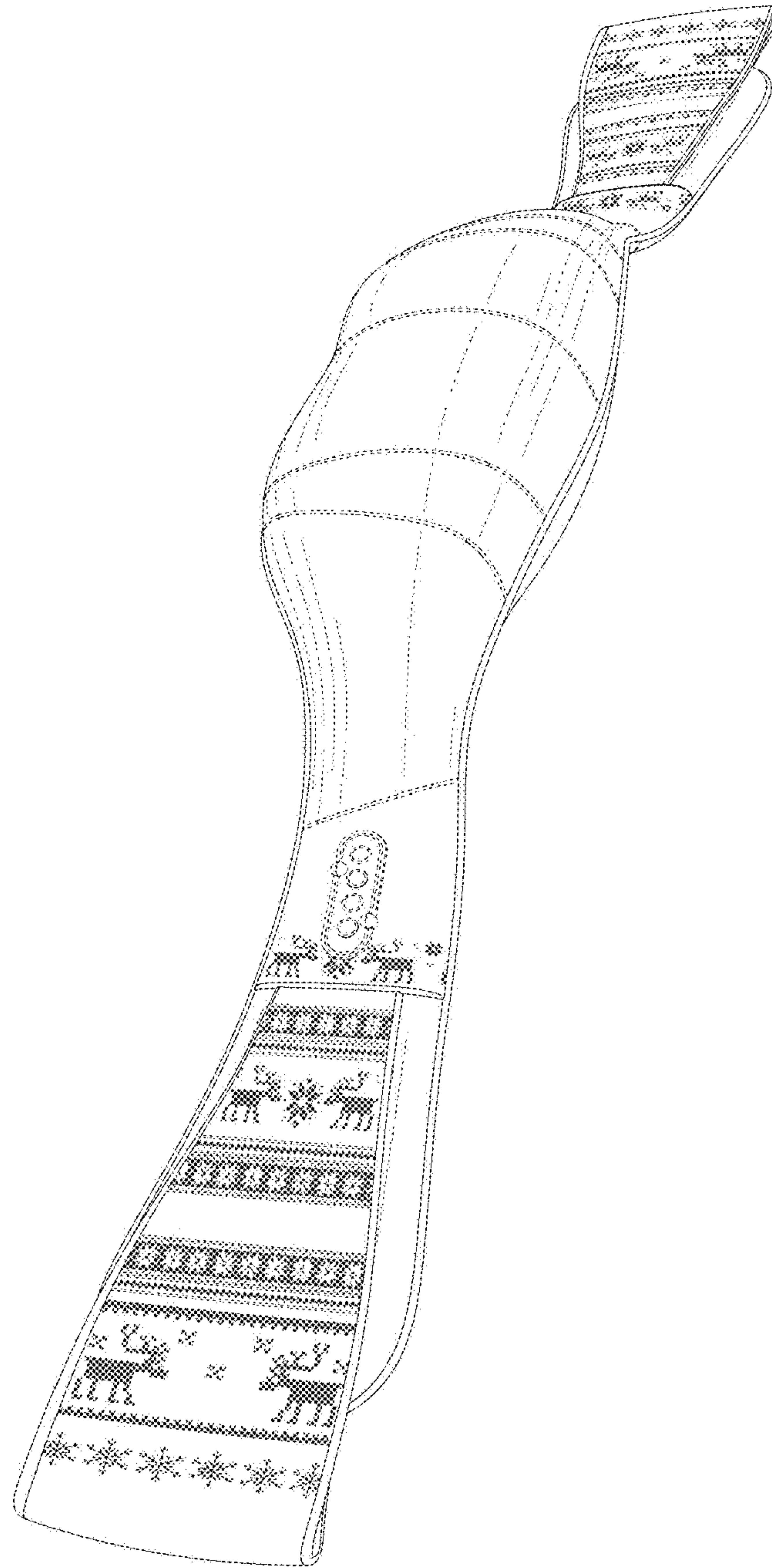


FIG. 7