



US00D850642S

(12) **United States Design Patent**
Yokoyama

(10) **Patent No.:** **US D850,642 S**

(45) **Date of Patent:** **** Jun. 4, 2019**

(54) **MESSAGE TOOL**

(71) Applicant: **Kakuro Yokoyama**, Yokohama (JP)

(72) Inventor: **Kakuro Yokoyama**, Yokohama (JP)

(**) Term: **15 Years**

(21) Appl. No.: **29/626,064**

(22) Filed: **Nov. 14, 2017**

(51) **LOC (11) Cl.** **28-03**

(52) **U.S. Cl.**
USPC **D24/215**

(58) **Field of Classification Search**
USPC D24/200, 211, 212, 213, 214, 215;
601/19, 22, 40, 46, 52, 63, 99, 110-113,
601/118-120, 125, DIG. 12, DIG. 14,
601/DIG. 15, DIG. 16, DIG. 17
CPC A61H 1/00; A61H 2015/0007; A61H
2015/0014; A61H 2015/0042; A61H
15/00; A61H 11/00; A61H 21/00; A61H
37/00

See application file for complete search history.

D678,539 S * 3/2013 Narson D24/200
D686,333 S * 7/2013 Innes D24/215
D696,414 S * 12/2013 Tabe D24/215
D728,814 S * 5/2015 Pursel A61H 99/00
D24/214
D752,238 S * 3/2016 Stock D24/214
D752,239 S * 3/2016 Stock D24/214
D754,869 S * 4/2016 Stock D24/214
D767,870 S * 10/2016 Avar D2/972
D825,068 S * 8/2018 van den Dries D24/200
D825,069 S * 8/2018 Capobianco D24/200
D828,924 S * 9/2018 Maroney D24/200
D828,926 S * 9/2018 Stock D24/214
2013/0296750 A1 * 11/2013 Pursel A61H 99/00
601/137

* cited by examiner

Primary Examiner — Sandra S Snapp
(74) *Attorney, Agent, or Firm* — Buchalter

(57) **CLAIM**

The ornamental design for a massage tool, as shown and described.

DESCRIPTION

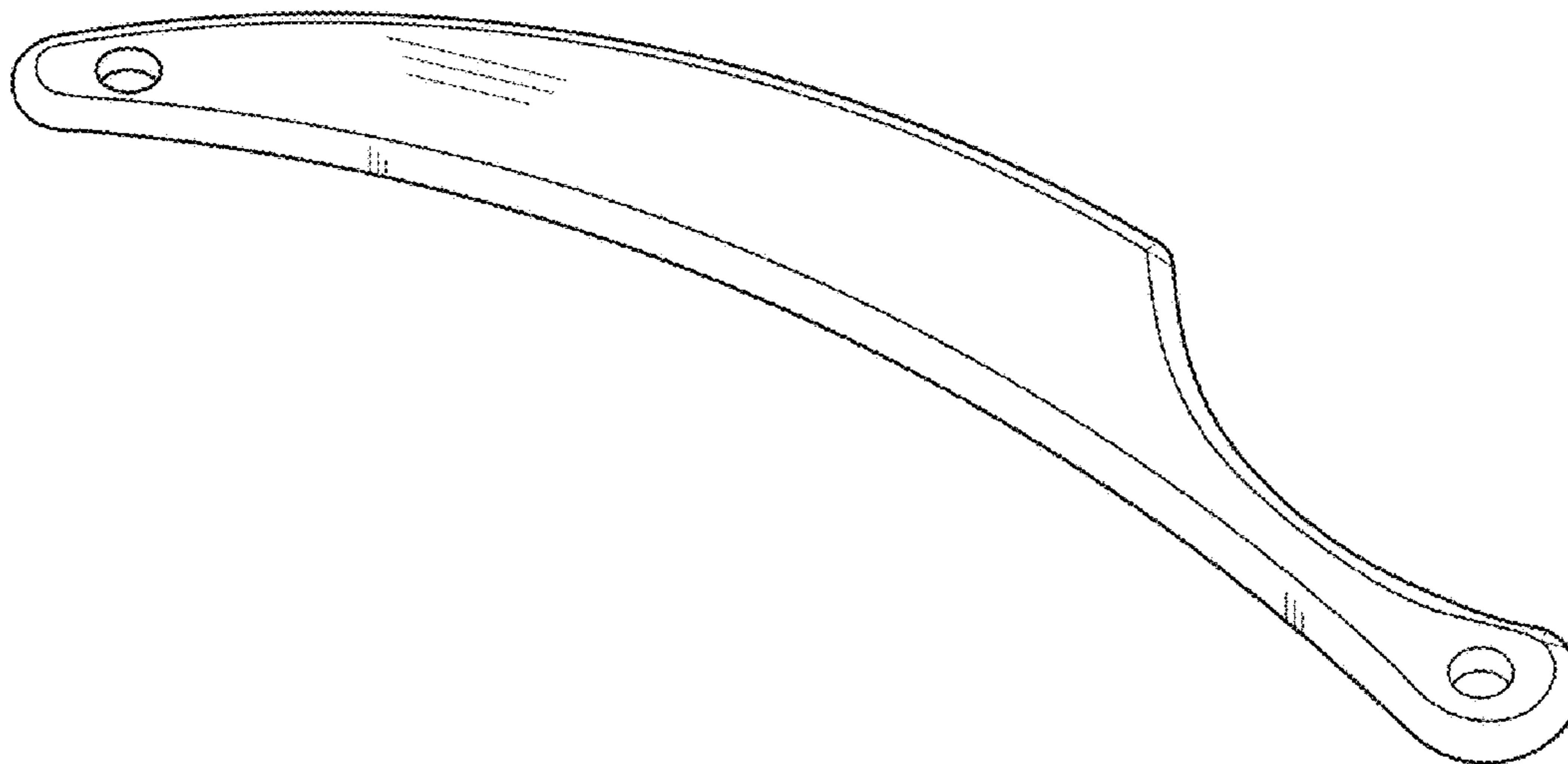
FIG. 1 is a top, front, left side perspective view of my massage tool;
FIG. 2 is a bottom plan view thereof;
FIG. 3 is a front elevation view thereof;
FIG. 4 is a right side elevation view thereof;
FIG. 5 is a rear elevation view thereof;
FIG. 6 is a left side elevation view thereof; and,
FIG. 7 is a top plan view thereof.

1 Claim, 2 Drawing Sheets

(56) **References Cited**

U.S. PATENT DOCUMENTS

6,077,239 A * 6/2000 Lin A61H 7/003
601/134
D524,445 S * 7/2006 Liang D24/211
D634,022 S * 3/2011 Scappaticci D24/215
D638,549 S * 5/2011 Scappaticci D24/214
D645,568 S * 9/2011 Walker D24/214



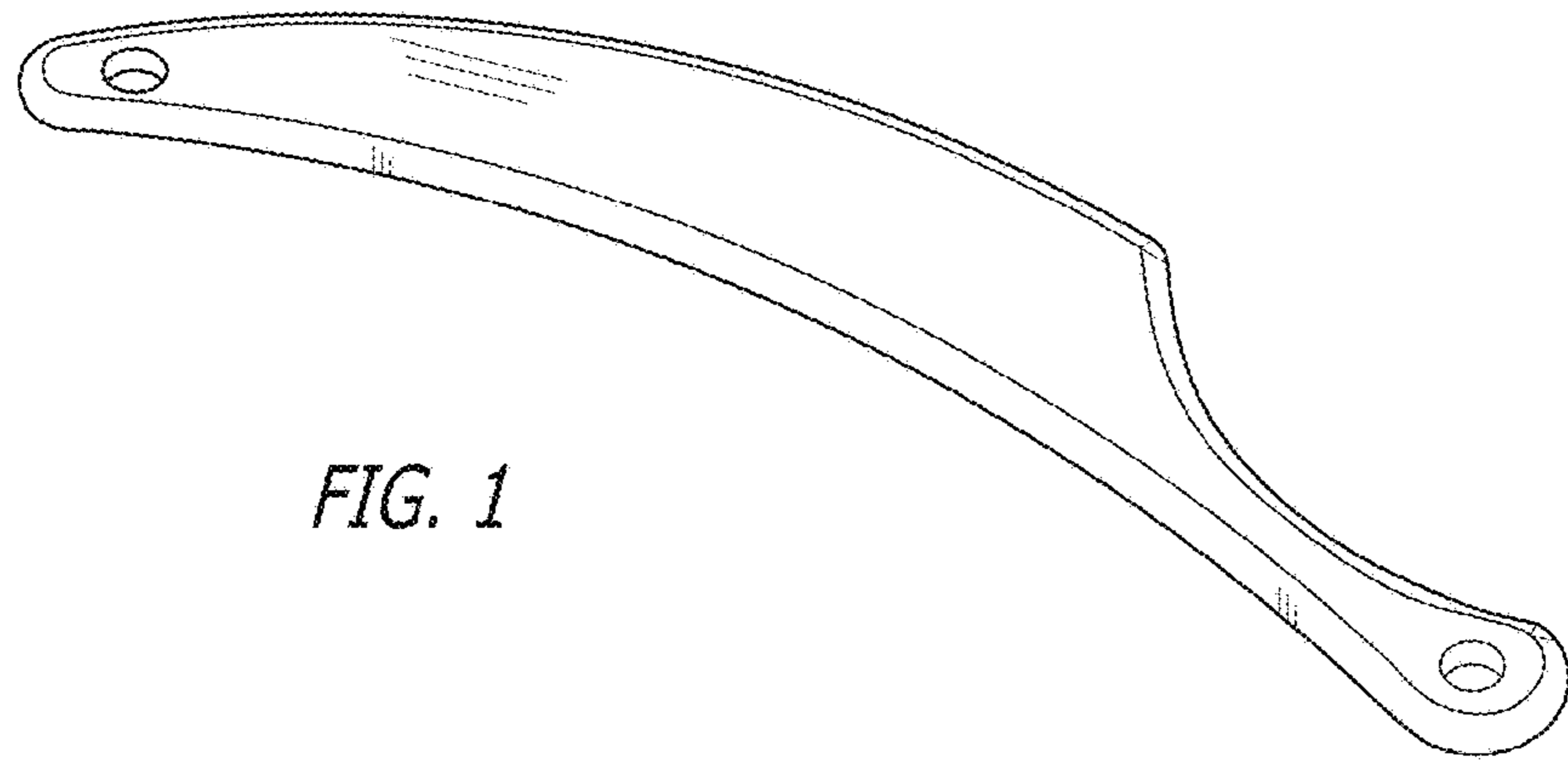


FIG. 1

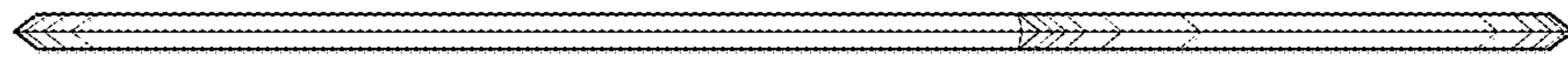


FIG. 2

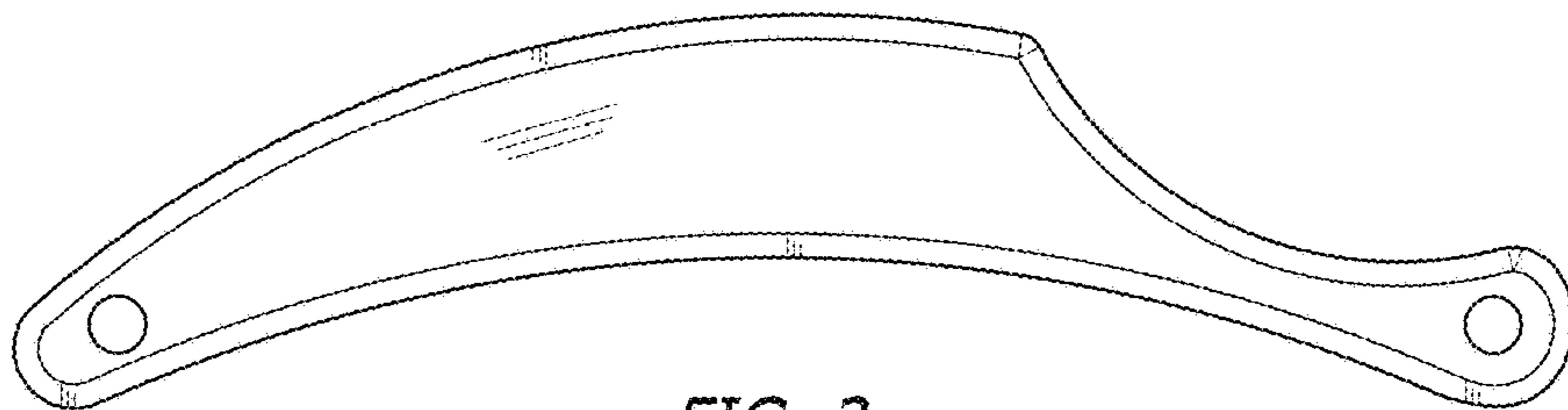


FIG. 3

FIG. 4

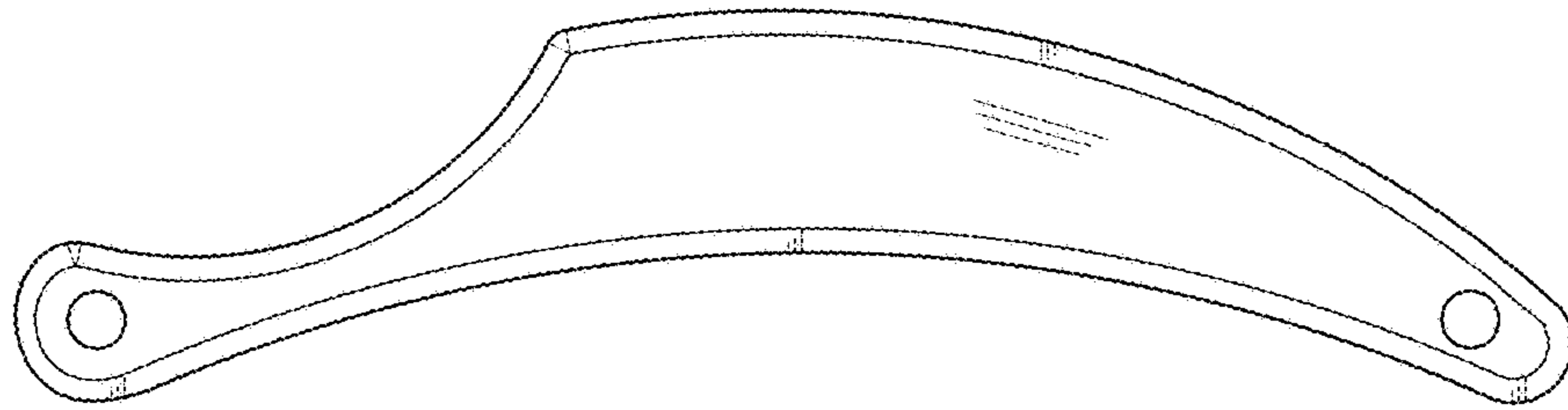


FIG. 5

FIG. 6

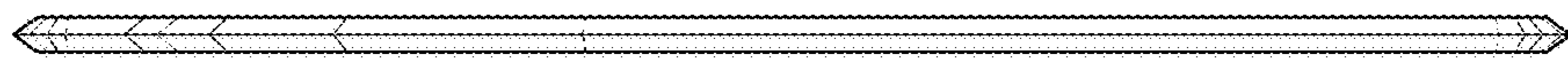
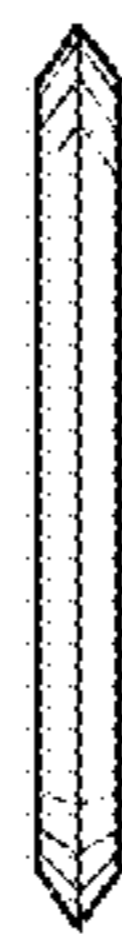


FIG. 7