



US00D850640S

(12) **United States Design Patent** (10) **Patent No.:** **US D850,640 S**
Wersland et al. (45) **Date of Patent:** **** Jun. 4, 2019**

- (54) **MESSAGE ELEMENT**
- (71) Applicant: **THERAGUN, LLC**, Beverly Hills, CA (US)
- (72) Inventors: **Jason Wersland**, Manhattan Beach, CA (US); **Michael Waldron**, Dunnington (GB); **Geert Ensing**, Shanghai (CN)
- (73) Assignee: **THERAGUN, LLC**, Beverly Hills, CA (US)
- (**) Term: **15 Years**
- (21) Appl. No.: **29/637,057**
- (22) Filed: **Feb. 13, 2018**

Related U.S. Application Data

- (63) Continuation-in-part of application No. 15/647,050, filed on Jul. 11, 2017.
- (51) **LOC (11) Cl.** **28-03**
- (52) **U.S. Cl.**
USPC **D24/211**
- (58) **Field of Classification Search**
USPC 52/574; 273/153 P, 153 R, 153 S, 157 R, 273/160; 434/211, 259; 600/38; 601/15, 601/18, 19, 27, 28, 29, 30, 31, 32, 46, 47, 601/48, 52, 72, 99, 112, 113, 118, 135, 601/137, DIG. 12, DIG. 14, DIG. 15, 601/DIG. 16, DIG. 17; D21/505; D24/200, 211, 212, 213, 214, 215; D9/434, 443, 454
CPC A61H 15/00; A61H 2015/0014
See application file for complete search history.

(56) **References Cited**

U.S. PATENT DOCUMENTS

- 2,854,971 A * 10/1958 Williams A61H 15/00 606/238
- D311,790 S * 10/1990 Krief D10/68

- D376,015 S * 11/1996 Newberry D24/211
- 5,577,996 A * 11/1996 Gardner A61H 15/0092 601/118
- D387,871 S * 12/1997 Childs D24/211
- D389,409 S * 1/1998 Tucker D9/454
- 5,765,921 A * 6/1998 Chuang A47C 16/025 601/118
- D396,110 S * 7/1998 Kang D24/211
- D403,076 S * 12/1998 York D24/214
- D403,428 S * 12/1998 Russo D24/200

(Continued)

OTHER PUBLICATIONS

Theragun, "Standard Ball AmpBITs", Feb. 1, 2018. <https://theragun.com/collections/the-g2pro-accessories/products/ampbit-attachment-the-standard-ball-3-pack>. Shown on p. 1. (Year: 2018).*

Primary Examiner — Cynthia Ramirez

Assistant Examiner — Michael A Maharajh

(74) *Attorney, Agent, or Firm* — Jeffer Mangels Butler & Mitchell LLP; Brennan C. Swain

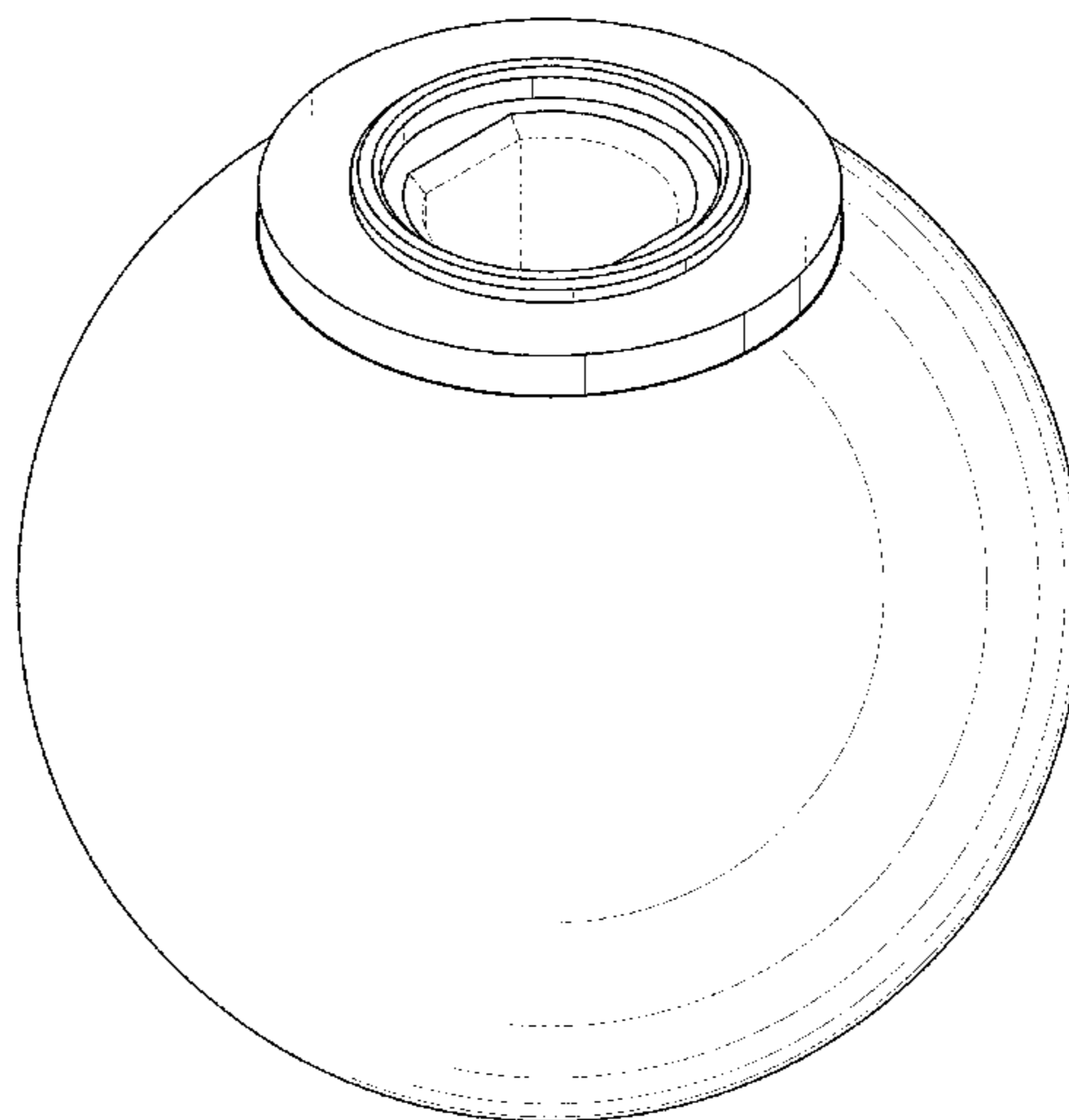
(57) **CLAIM**

The ornamental design for a massage element, as shown and described.

DESCRIPTION

FIG. 1 is a perspective view of the present invention;
 FIG. 2 is a front elevational view of the present invention shown in FIG. 1, the rear, right and left side elevational views being mirror images thereof;
 FIG. 3 is a top plan view of the present invention shown in FIG. 1;
 FIG. 4 is a bottom plan view of the present invention shown in FIG. 1; and,
 FIG. 5 is a front elevational view of the present invention shown in FIG. 2 with a portion shown in cross-section.
 The broken lines in the figures are for the purpose of illustrating portions of the massage element that form no part of the claimed design.

1 Claim, 5 Drawing Sheets



(56)

References Cited

U.S. PATENT DOCUMENTS

5,843,005 A * 12/1998 Chubinsky A61H 7/003
601/15
6,109,999 A * 8/2000 Kuo A63B 19/00
446/236
D491,271 S * 6/2004 Siegfried D24/211
D502,264 S * 2/2005 Timmer D24/211
D507,057 S * 7/2005 Timmer D24/211
D537,166 S * 2/2007 Huang D24/211
D545,974 S * 7/2007 Nan D11/121
D545,975 S * 7/2007 Bell D24/211
7,399,285 B2 * 7/2008 Stein A61H 15/02
601/15
D581,229 S * 11/2008 Uglum D8/38
D586,470 S * 2/2009 Warder D24/211
D596,306 S * 7/2009 Levine D24/214
D688,379 S * 8/2013 Ehlers D21/685
D691,279 S * 10/2013 Hane-Karr D24/211
D691,334 S * 10/2013 Byrne D30/160
8,607,541 B1 * 12/2013 Cavuoti F16G 13/16
446/120
8,808,208 B2 * 8/2014 Mouatt A61H 7/001
601/135
D719,706 S * 12/2014 Hamill D30/160
D726,028 S * 4/2015 Thompson D9/726
D776,370 S * 1/2017 Miksovsky D1/106
D789,548 S * 6/2017 Cheng D24/211
D822,221 S * 7/2018 Huth D24/211
D827,847 S * 9/2018 Downare D24/211
D829,919 S * 10/2018 Davis D24/211
D830,569 S * 10/2018 Solomon D24/215

* cited by examiner

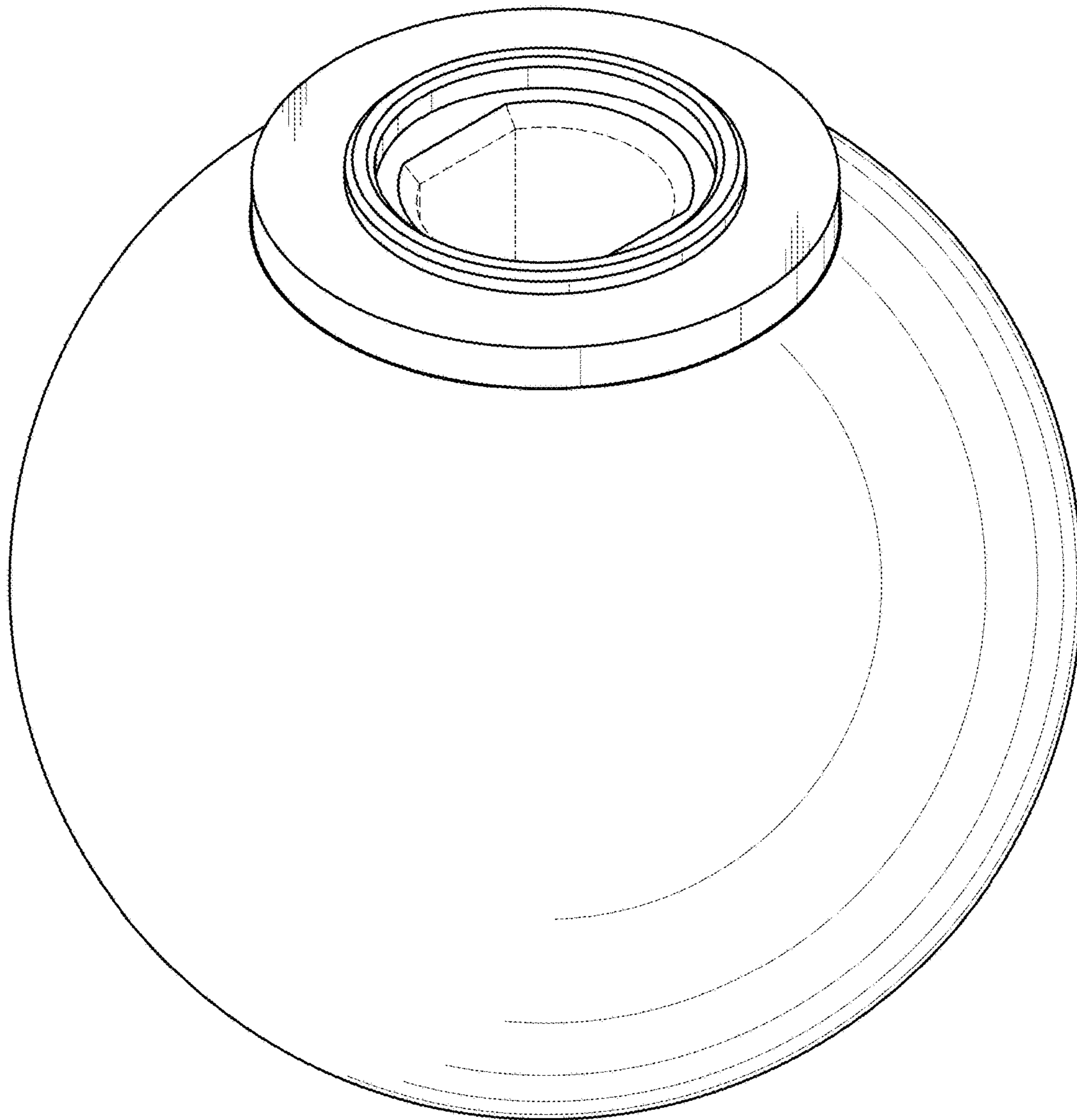


FIG. 1

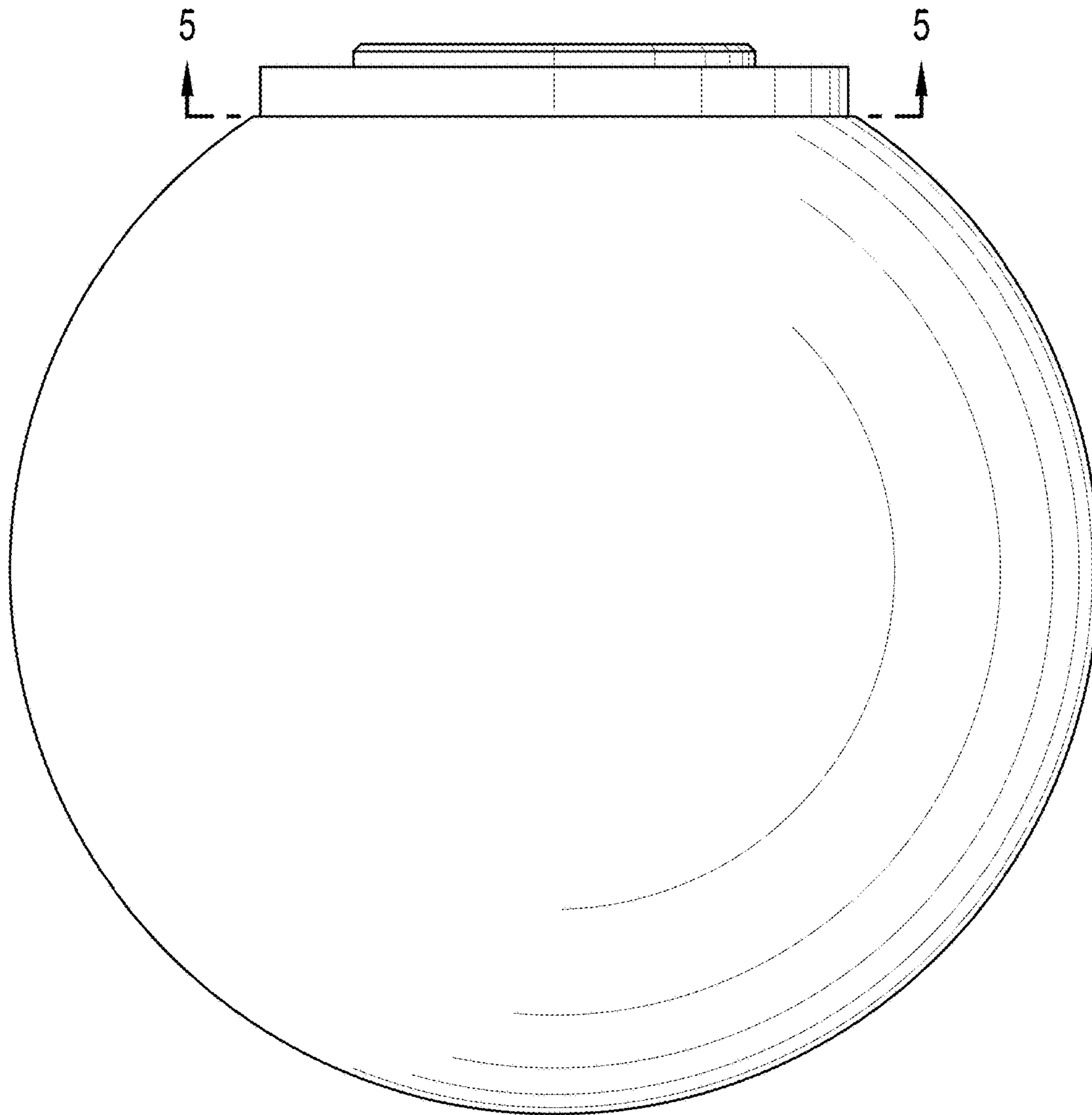


FIG. 2

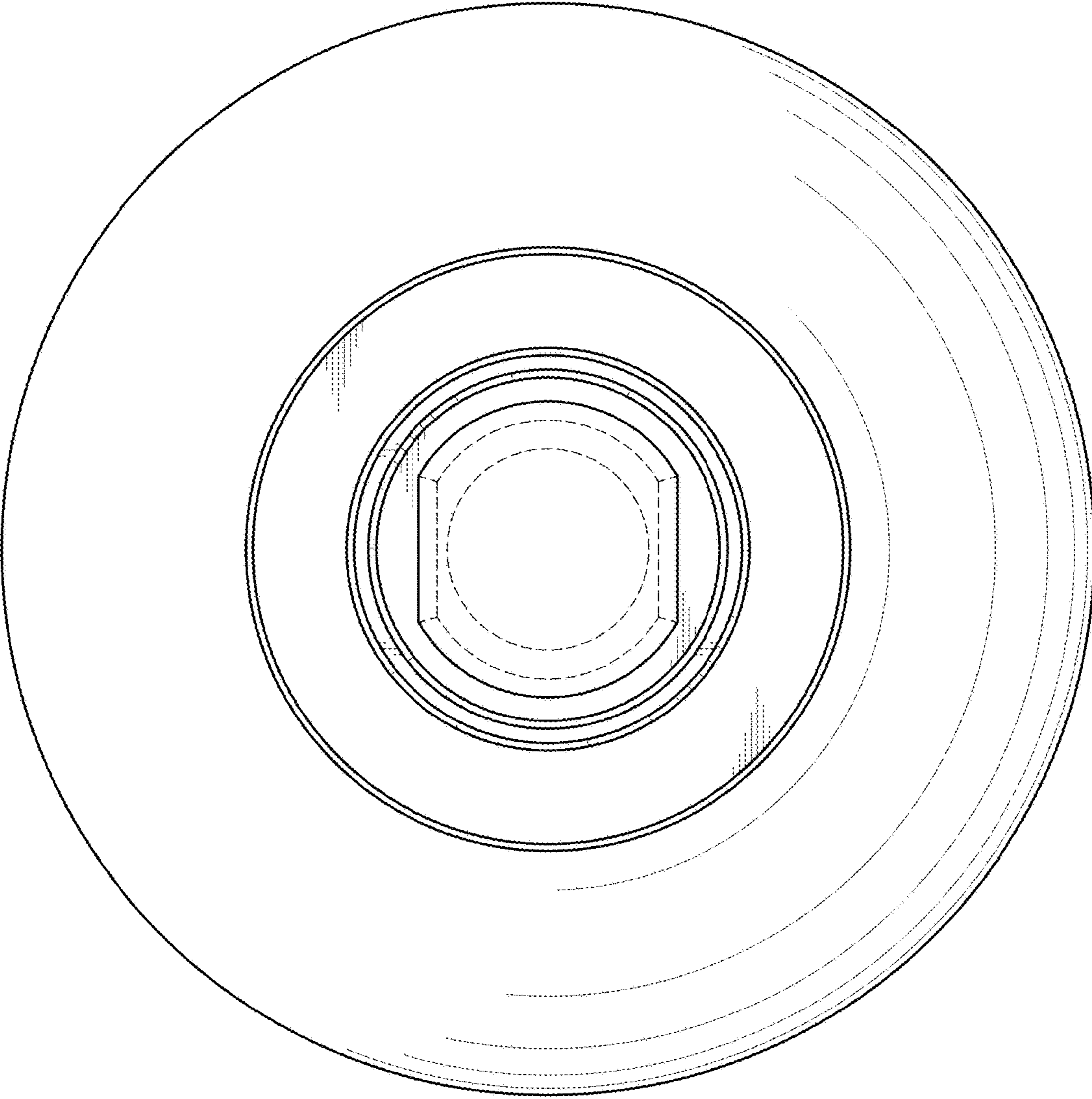


FIG. 3

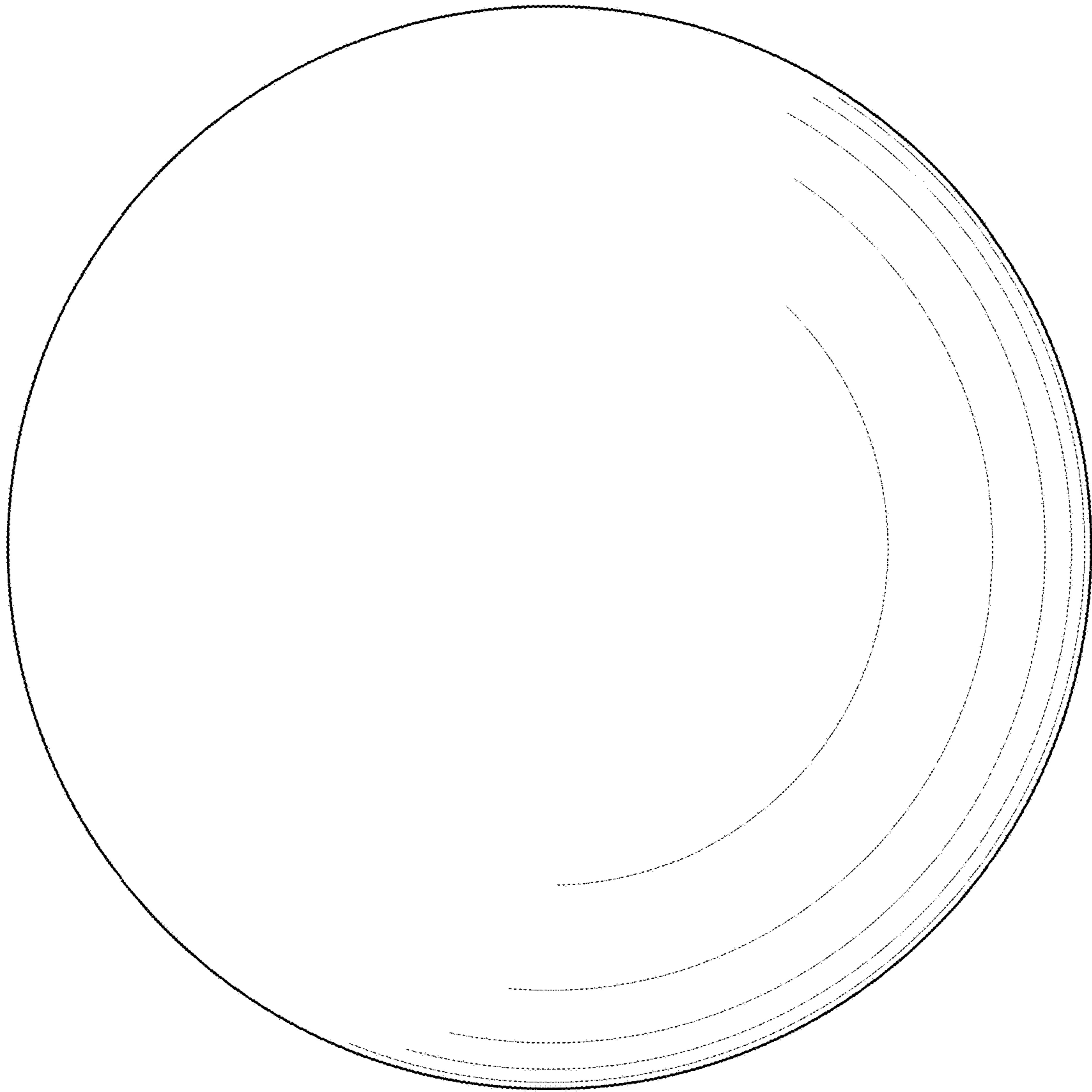


FIG. 4

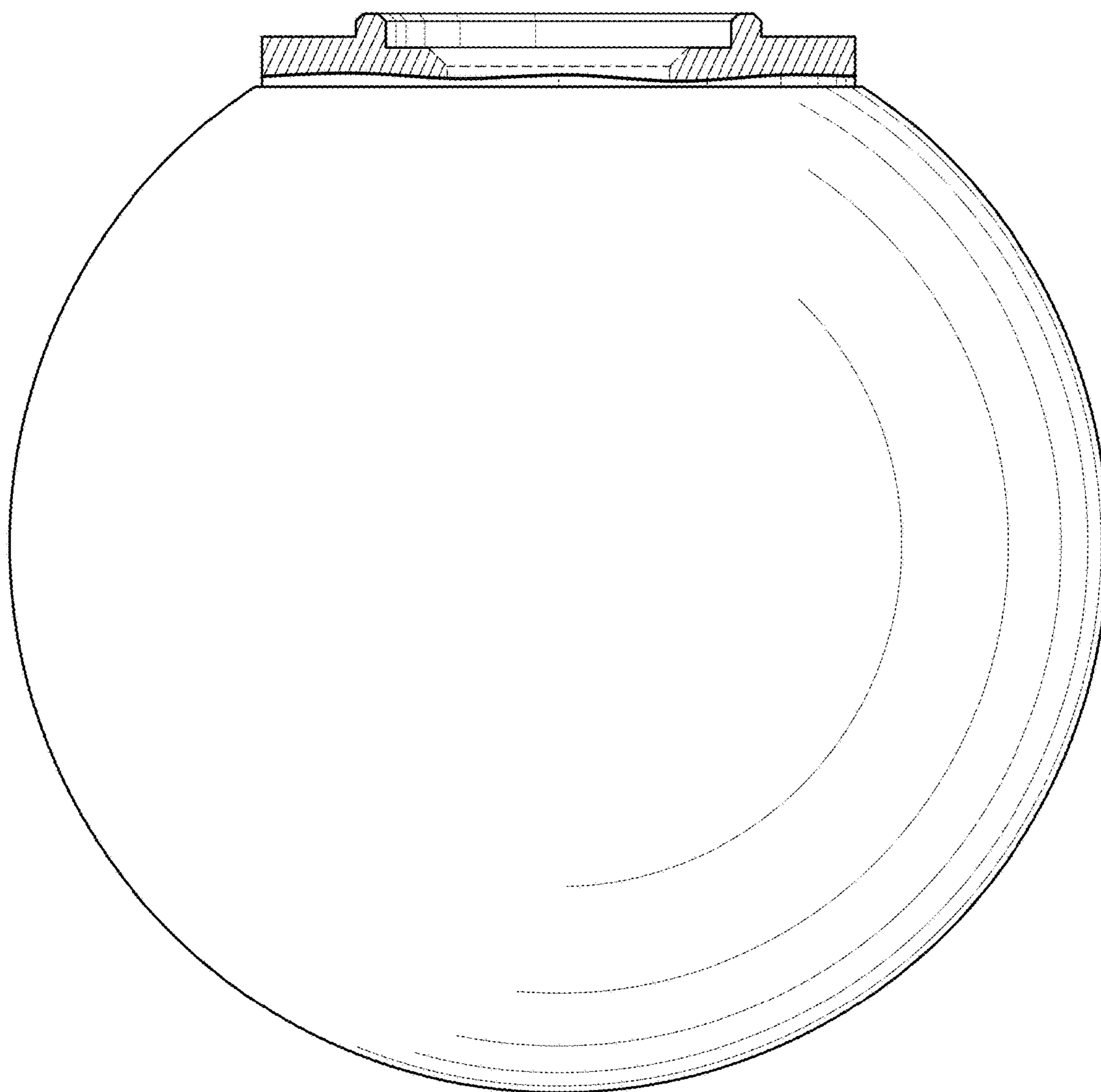


FIG. 5