



US00D850639S

(12) **United States Design Patent** (10) **Patent No.:** **US D850,639 S**
Wersland et al. (45) **Date of Patent:** **** Jun. 4, 2019**

(54) **MESSAGE ELEMENT**
(71) Applicant: **THERAGUN, LLC**, Beverly Hills, CA (US)
(72) Inventors: **Jason Wersland**, Manhattan Beach, CA (US); **Michael Waldron**, Dunnington (GB); **Geert Ensing**, Shanghai (CN)
(73) Assignee: **THERAGUN, LLC**, Beverly Hills, CA (US)

D357,322 S * 4/1995 Matthews D24/200
D378,539 S * 3/1997 Scott D24/211
D381,906 S * 8/1997 Bartsch D9/438
D389,409 S * 1/1998 Tucker D9/454
D402,892 S * 12/1998 Hering D9/454
D403,076 S * 12/1998 York D24/214
5,843,005 A * 12/1998 Chubinsky A61H 7/003
601/15
D403,584 S * 1/1999 Bakic D9/454
D413,263 S * 8/1999 Pritchard D9/454
D422,218 S * 4/2000 Ohchi D9/454
D439,984 S * 4/2001 Thach D24/215

(Continued)

(**) Term: **15 Years**
(21) Appl. No.: **29/637,052**
(22) Filed: **Feb. 13, 2018**

Related U.S. Application Data

(63) Continuation-in-part of application No. 15/647,050, filed on Jul. 11, 2017.
(51) **LOC (11) Cl.** **28-03**
(52) **U.S. Cl.**
USPC **D24/211**
(58) **Field of Classification Search**
USPC 52/574; 273/153 P, 153 R, 153 S, 157 R, 273/160; 434/211, 259; 600/38; 601/15, 601/18, 19, 27, 28, 29, 30, 31, 32, 46, 47, 601/48, 52, 72, 99, 112, 113, 118, 135, 601/137, DIG. 12, DIG. 14, DIG. 15, 601/DIG. 16, DIG. 17; D21/505; D24/200, 211, 212, 213, 214, 215; D9/434, 443, 454
CPC A61H 15/00; A61H 2015/0014
See application file for complete search history.

(56) **References Cited**

U.S. PATENT DOCUMENTS

2,510,193 A * 6/1950 Pough A61H 15/00
482/79
D305,871 S * 2/1990 Geiger D9/435

OTHER PUBLICATIONS

Theragun, "Thumb AmpBIT", Jul. 8, 2018. <https://theragun.com/collections/the-g2pro-accessories/products/thumb-ampbit-single-unit-for-g2pro>. Shown on p. 1. (Year: 2018).*

Primary Examiner — Cynthia Ramirez
Assistant Examiner — Michael A Maharajh
(74) *Attorney, Agent, or Firm* — Jeffer Mangels; Butler & Mitchell LLP; Brennan C. Swain, Esq.

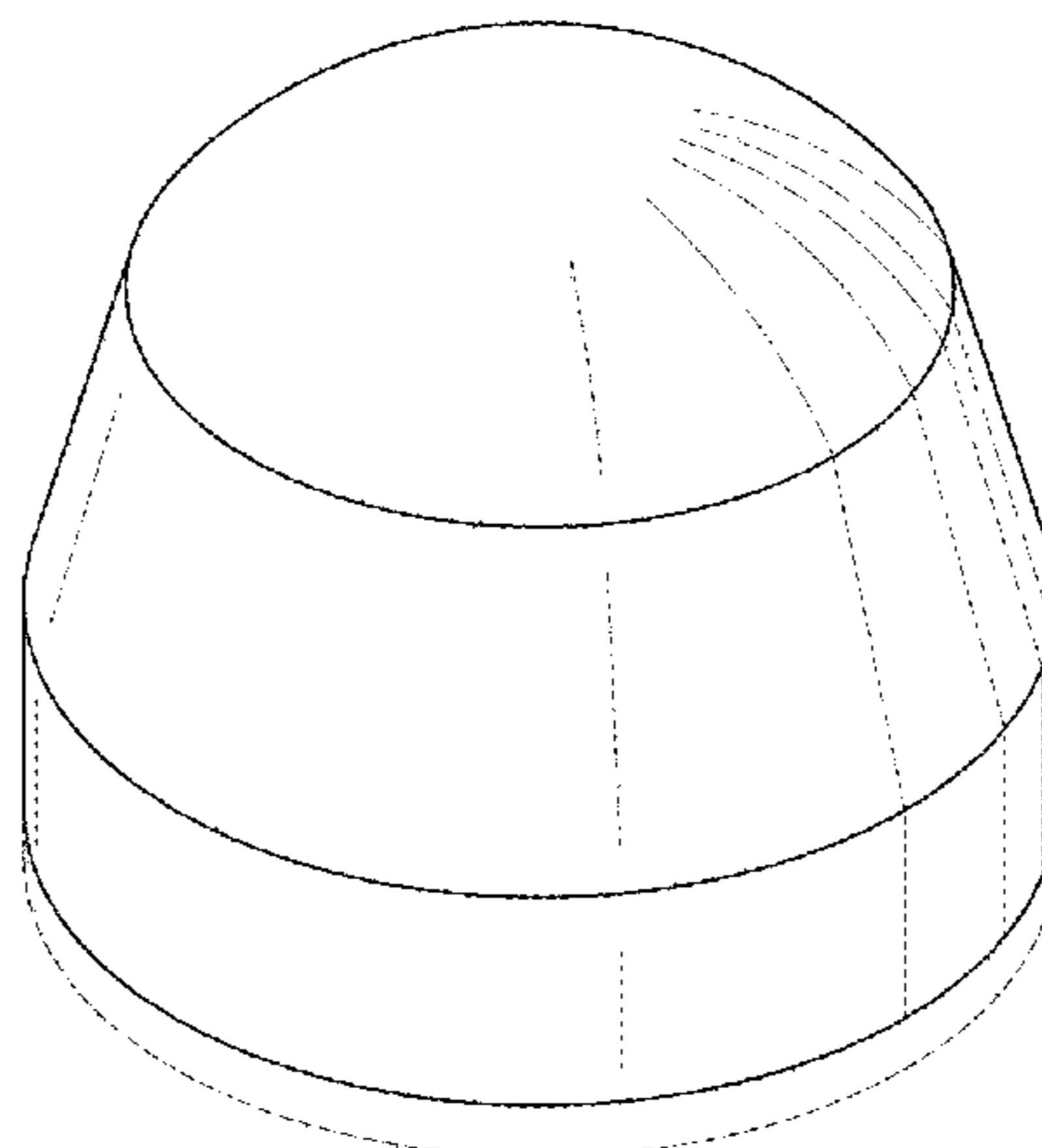
(57) **CLAIM**

The ornamental design for a massage element, as shown and described.

DESCRIPTION

FIG. 1 is a perspective view of the present invention; FIG. 2 is a front elevational view of the present invention shown in FIG. 1, the right and left side elevational views being mirror images thereof; FIG. 3 is a top plan view of the present invention shown in FIG. 1; and, FIG. 4 is a bottom plan view of the present invention shown in FIG. 1. The broken lines in the figures are for the purpose of illustrating portions of the massage element that form no part of the claimed design.

1 Claim, 7 Drawing Sheets



(56)

References Cited

U.S. PATENT DOCUMENTS

D454,644 S *	3/2002	York	D24/214	D759,322 S *	6/2016	Raines	D30/121
D469,880 S *	2/2003	York	D24/214	D759,488 S *	6/2016	Gibson	D9/454
D479,995 S *	9/2003	Duceppe	D9/434	D763,685 S *	8/2016	Arriaga	D9/436
D481,801 S *	11/2003	Whitley	D24/224	D766,452 S *	9/2016	Ho	D24/200
D502,264 S *	2/2005	Timmer	D24/211	D768,305 S *	10/2016	Ho	D24/200
D507,057 S *	7/2005	Timmer	D24/211	D769,120 S *	10/2016	Albuquerque	D9/454
7,282,037 B2 *	10/2007	Cho	A61H 23/0218 601/15	D774,392 S *	12/2016	Broad	D9/434
D555,796 S *	11/2007	Kawaguchi	D24/214	D774,655 S *	12/2016	Ho	D24/200
D563,557 S *	3/2008	Fink	D24/200	D775,362 S *	12/2016	Ho	D24/200
D597,840 S *	8/2009	Biesecker	D9/454	D776,370 S *	1/2017	Miksovsky	D30/160
D620,358 S *	7/2010	Jewett	D9/454	D790,717 S *	6/2017	Clores	D9/443
D642,339 S *	7/2011	Levin	D30/160	D791,958 S *	7/2017	Ho	D24/200
8,105,253 B2 *	1/2012	Chen	A61H 7/004 601/112	9,694,142 B2 *	7/2017	Banar	A61H 15/0092
D656,375 S *	3/2012	Blazevic	D8/34	D795,063 S *	8/2017	Arriaga	D9/436
D659,305 S *	5/2012	Song	D30/160	D795,443 S *	8/2017	Ho	D24/200
D667,131 S *	9/2012	Faussett	D24/215	D820,679 S *	6/2018	Ali	D9/454
				D825,067 S *	8/2018	Ho	D24/200
				D826,417 S *	8/2018	Faussett	D24/211
				D827,146 S *	8/2018	Faussett	D24/211
				D829,334 S *	9/2018	Hardof	D24/211

* cited by examiner

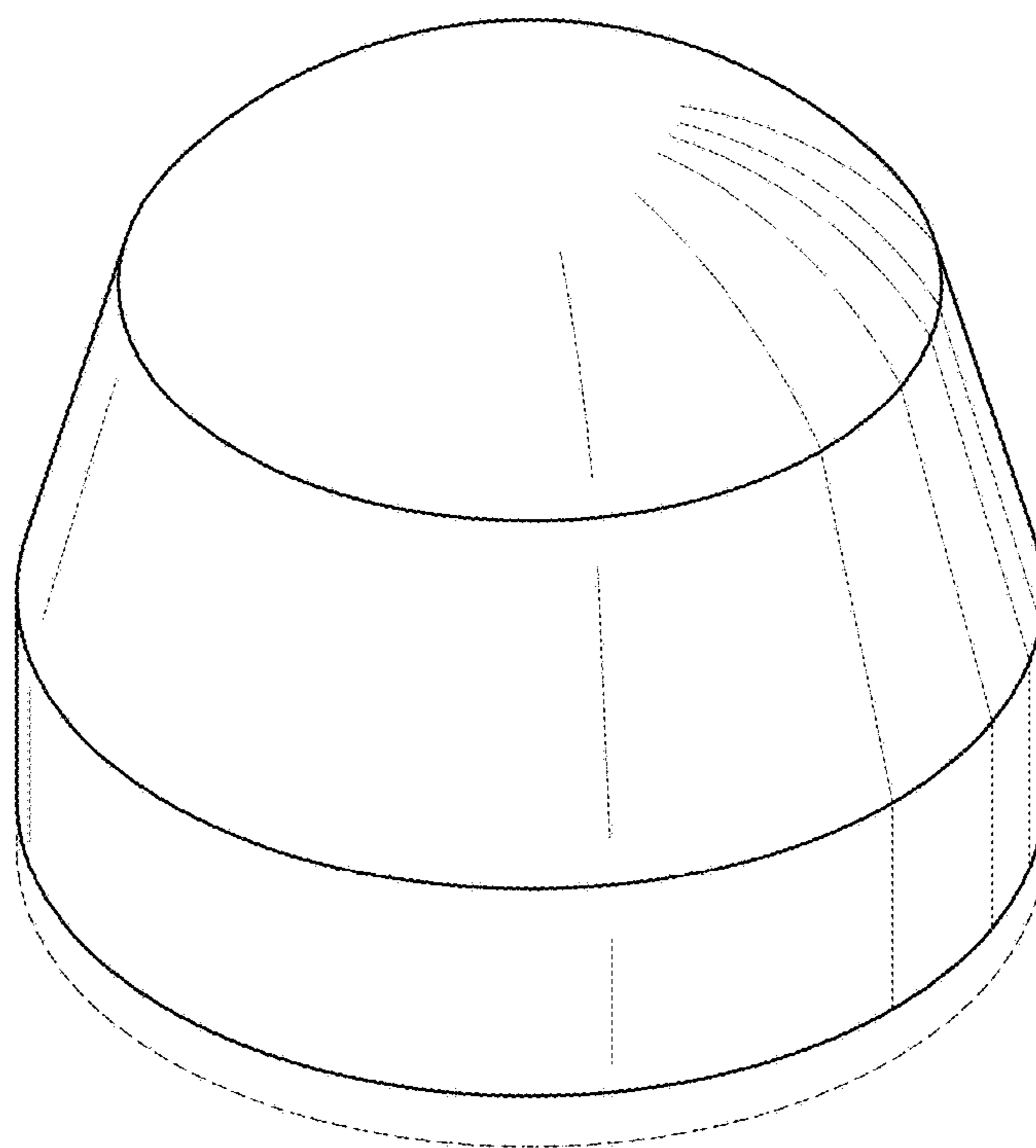


FIG. 1

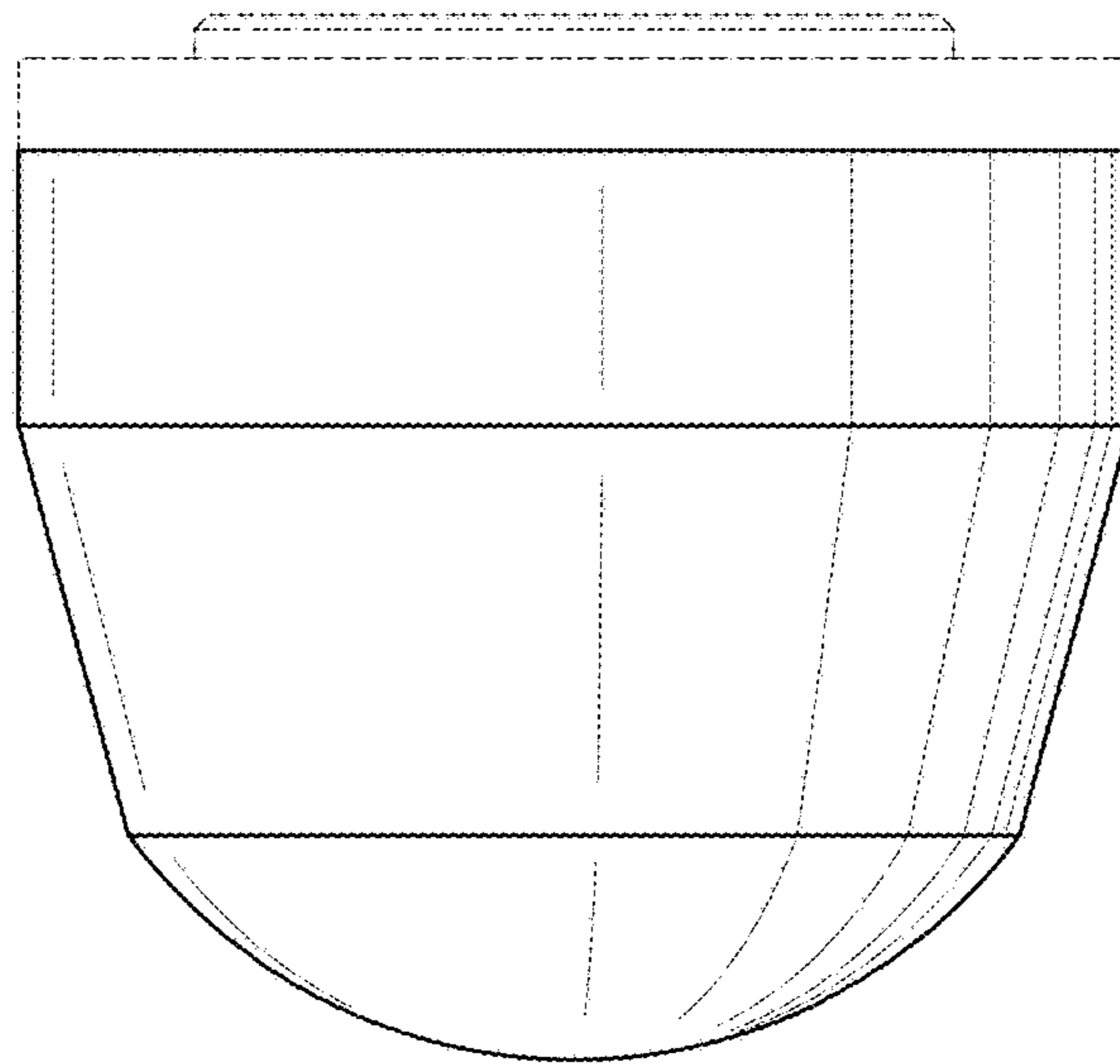


FIG. 2

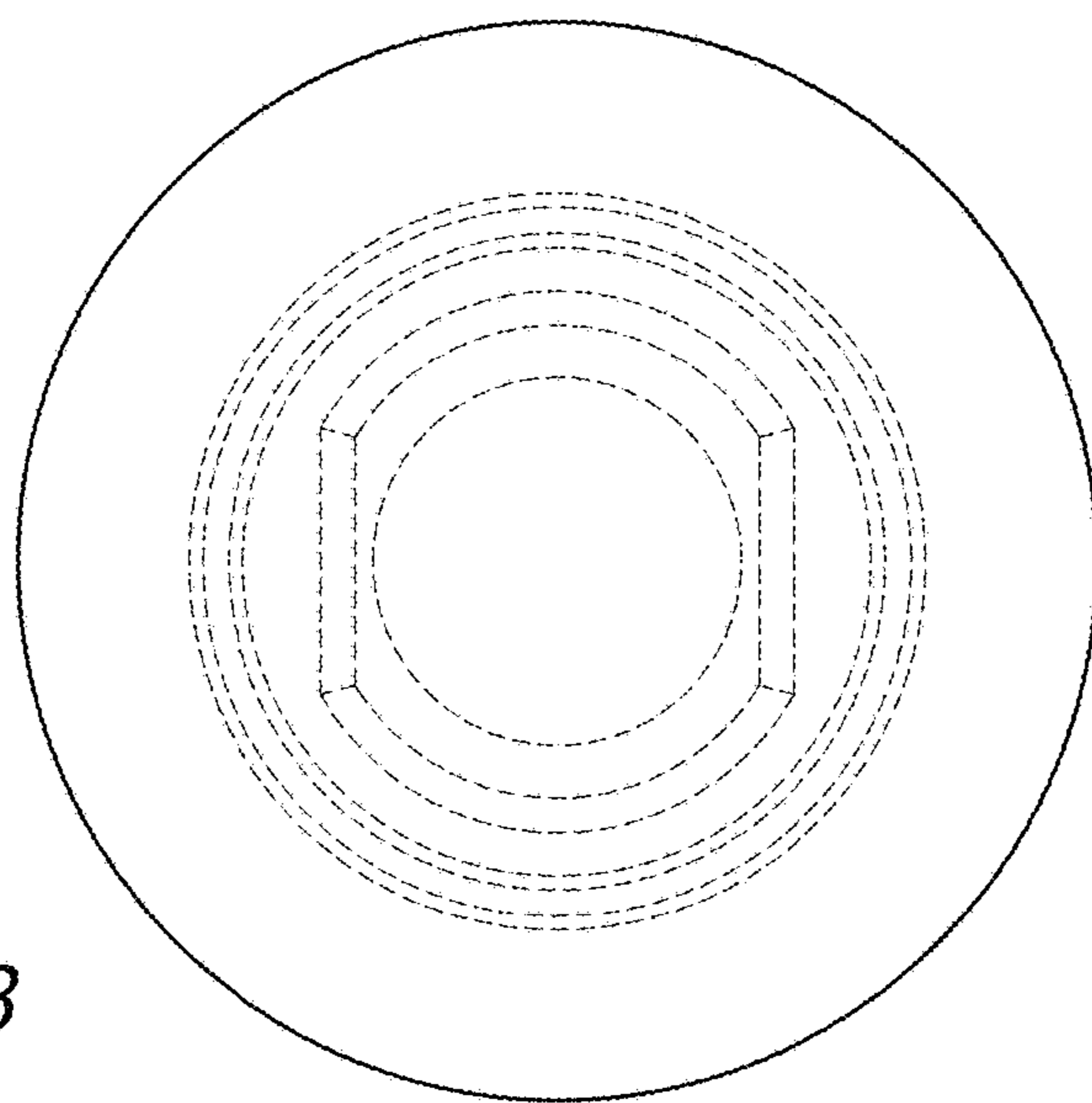


FIG. 3

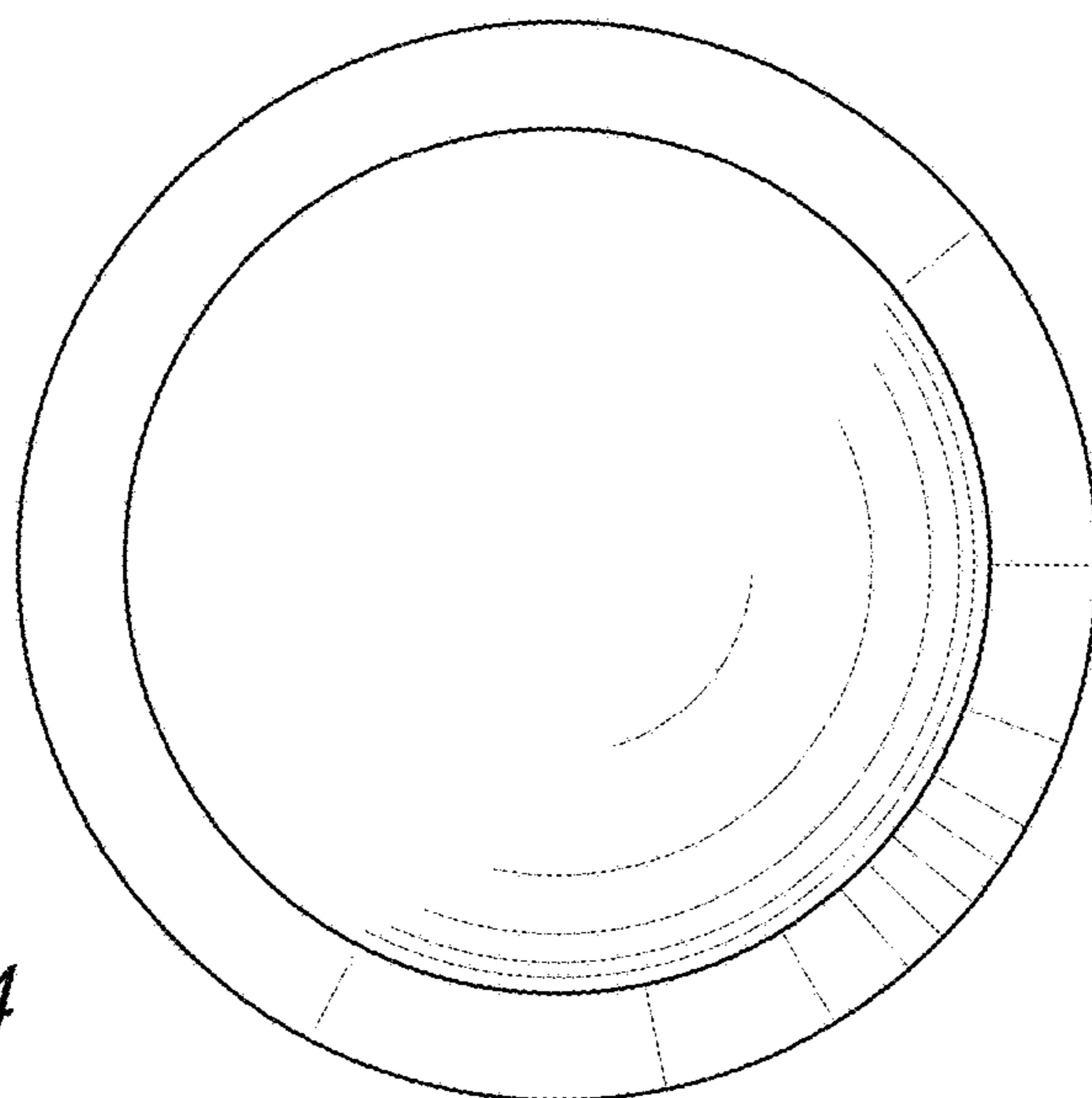


FIG. 4

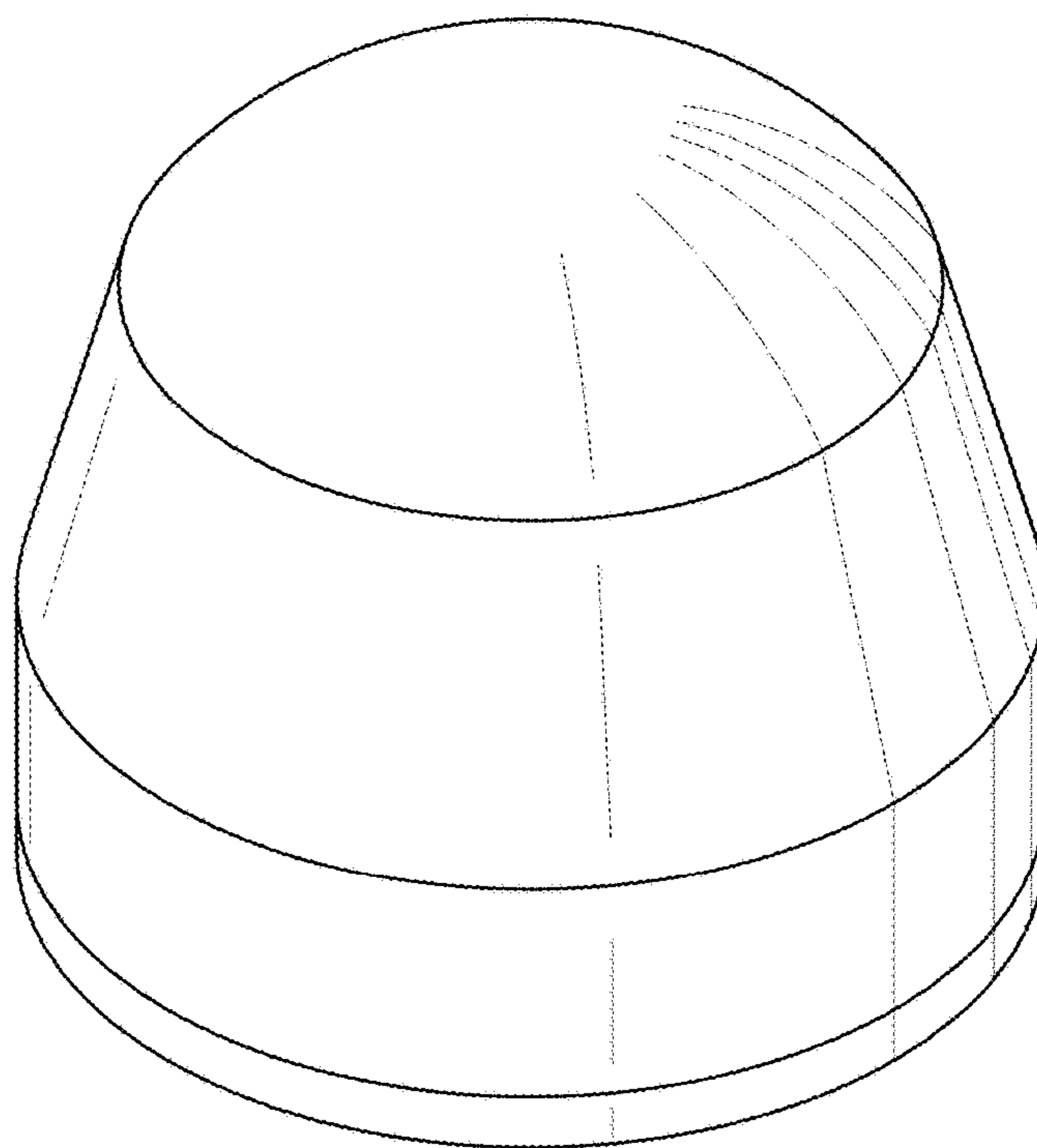


FIG. 5

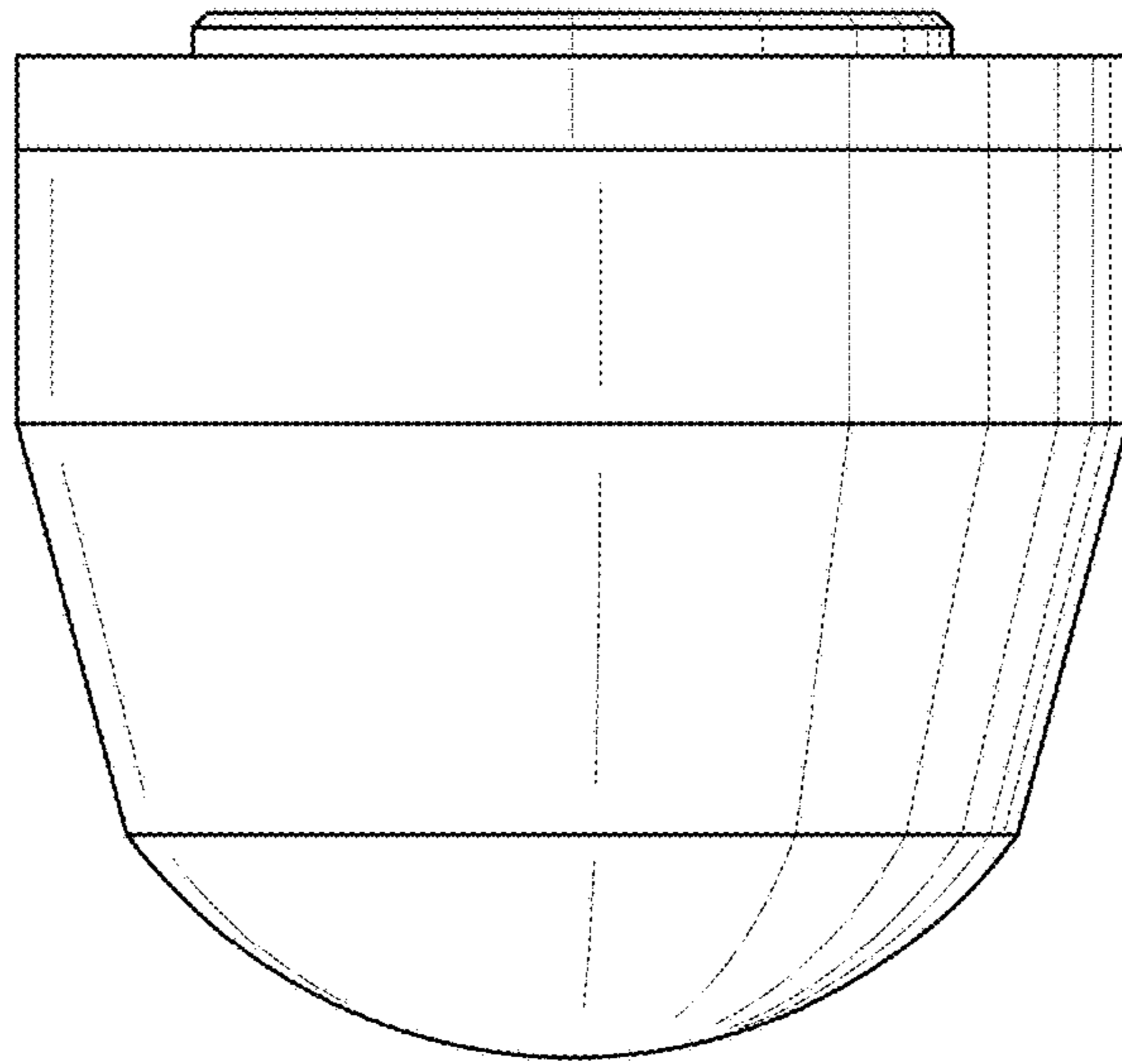


FIG. 6

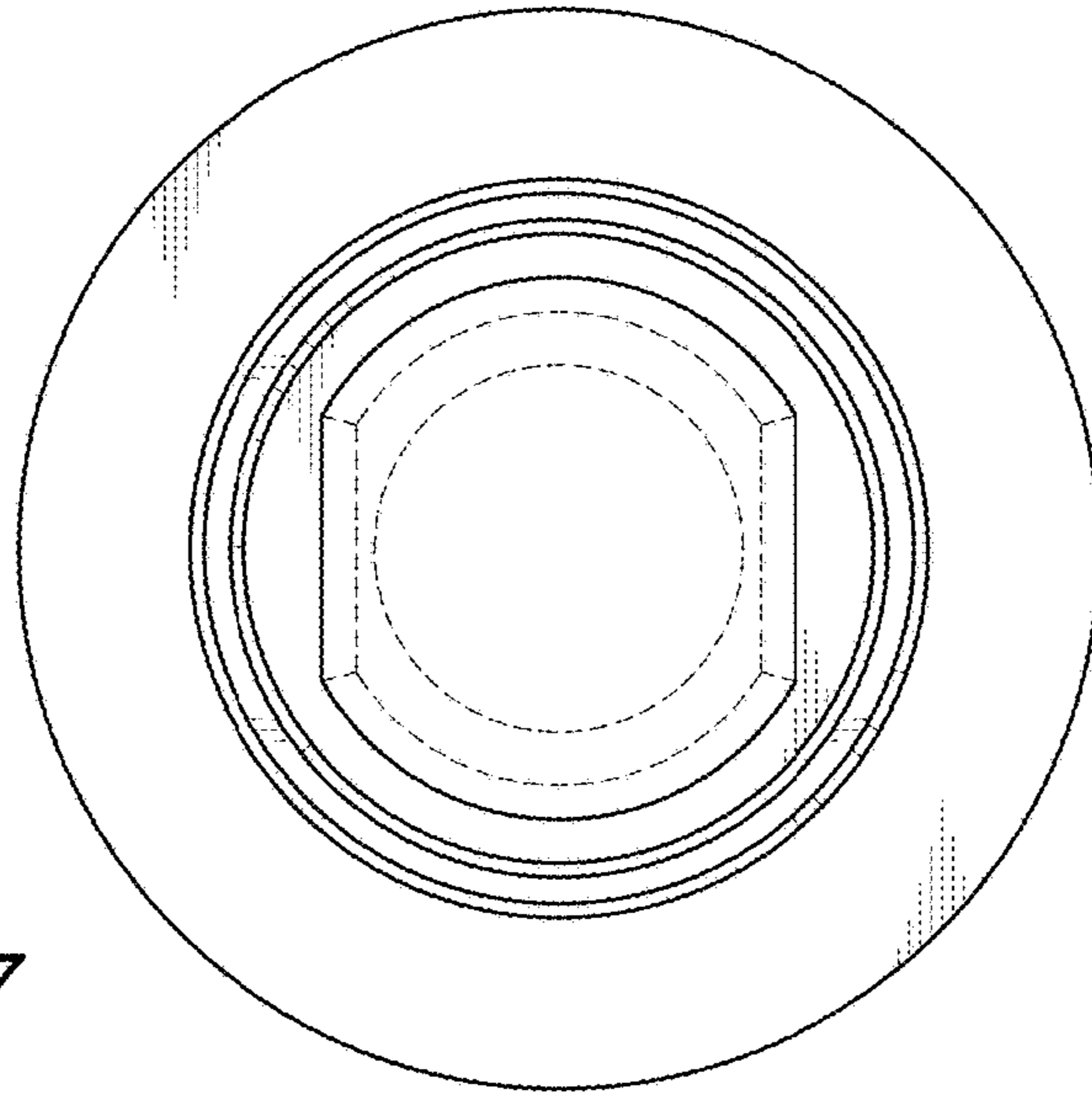


FIG. 7

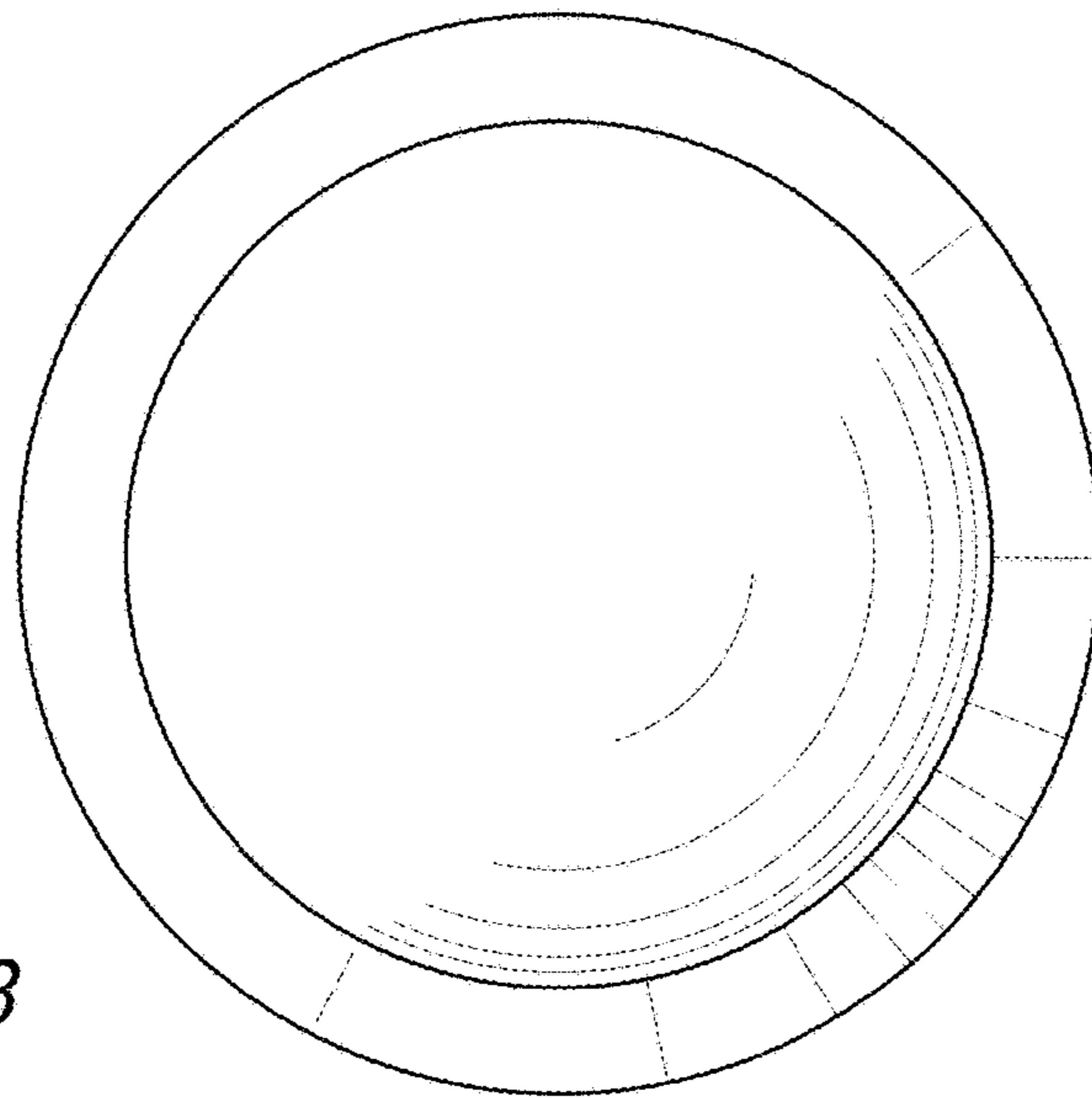


FIG. 8

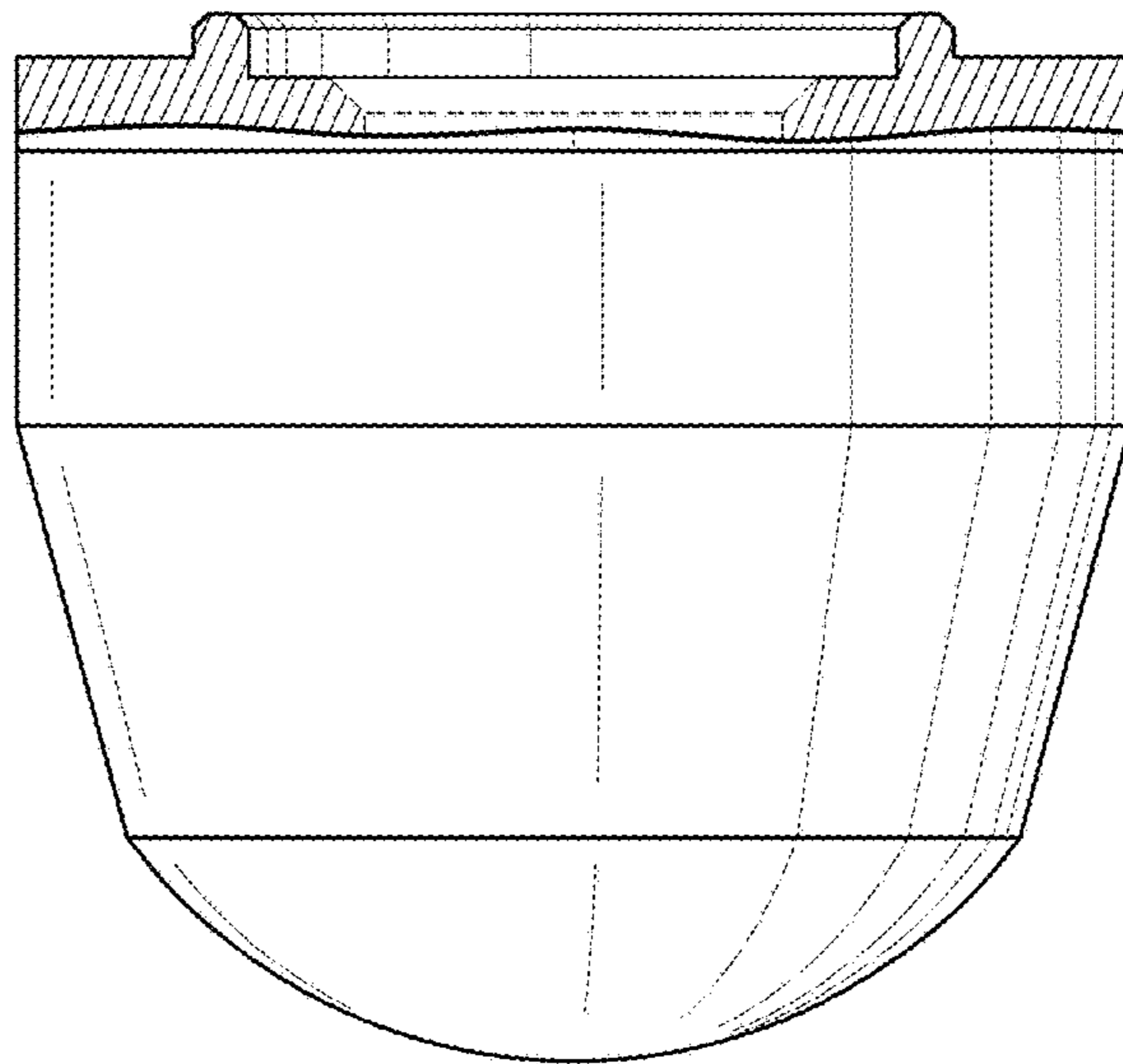


FIG. 9