



US00D850637S

(12) **United States Design Patent**
Ci

(10) **Patent No.:** **US D850,637 S**
(45) **Date of Patent:** **** Jun. 4, 2019**

- (54) **ACUPUNCTURE APPARATUS**
- (71) Applicant: **Yanhuang Dongfang (Beijing) Healthcare Technology Co., Ltd., Beijing (CN)**
- (72) Inventor: **Zhonghua Ci, Beijing (CN)**
- (73) Assignee: **Zhonghua Ci, Beijing (CN)**
- (**) Term: **15 Years**
- (21) Appl. No.: **29/609,394**
- (22) Filed: **Jun. 30, 2017**
- (51) **LOC (11) Cl.** **24-02**
- (52) **U.S. Cl.**
USPC **D24/200; D24/174**
- (58) **Field of Classification Search**
USPC D24/173-175, 186, 187, 200; D14/205, D14/223-226, 249, 188
CPC .. H04R 2225/025; H04R 25/60; H04R 25/63; H04R 25/67; H04R 25/602; H04R 25/604; H04R 25/608; H04R 25/65; H04R 25/652; A61B 5/6815; A61B 5/6816; A61B 5/6817; Y10S 128/907; A61H 39/002; A61H 2205/027; A61N 1/36036; A61N 1/36038
See application file for complete search history.

- 5,514,175 A * 5/1996 Kim A61H 39/002 607/115
- D478,573 S * 8/2003 Wrisley D14/223
- D504,177 S * 4/2005 Erfan D14/205
- D556,740 S * 12/2007 Xavier D14/223
- D591,274 S * 4/2009 Khubani D14/223
- D592,190 S * 5/2009 Birger D14/223
- D640,241 S * 6/2011 Wai D14/223
- D670,396 S * 11/2012 Doogan D24/200
- D690,288 S * 9/2013 Son D14/223
- D796,686 S * 9/2017 Internicola D24/200

* cited by examiner

Primary Examiner — Anhdao Doan

(74) *Attorney, Agent, or Firm* — Gokalp Bayramoglu

(56) **References Cited**

U.S. PATENT DOCUMENTS

- D307,181 S * 4/1990 Erfan D24/173
- D328,497 S * 8/1992 Morrison D24/200

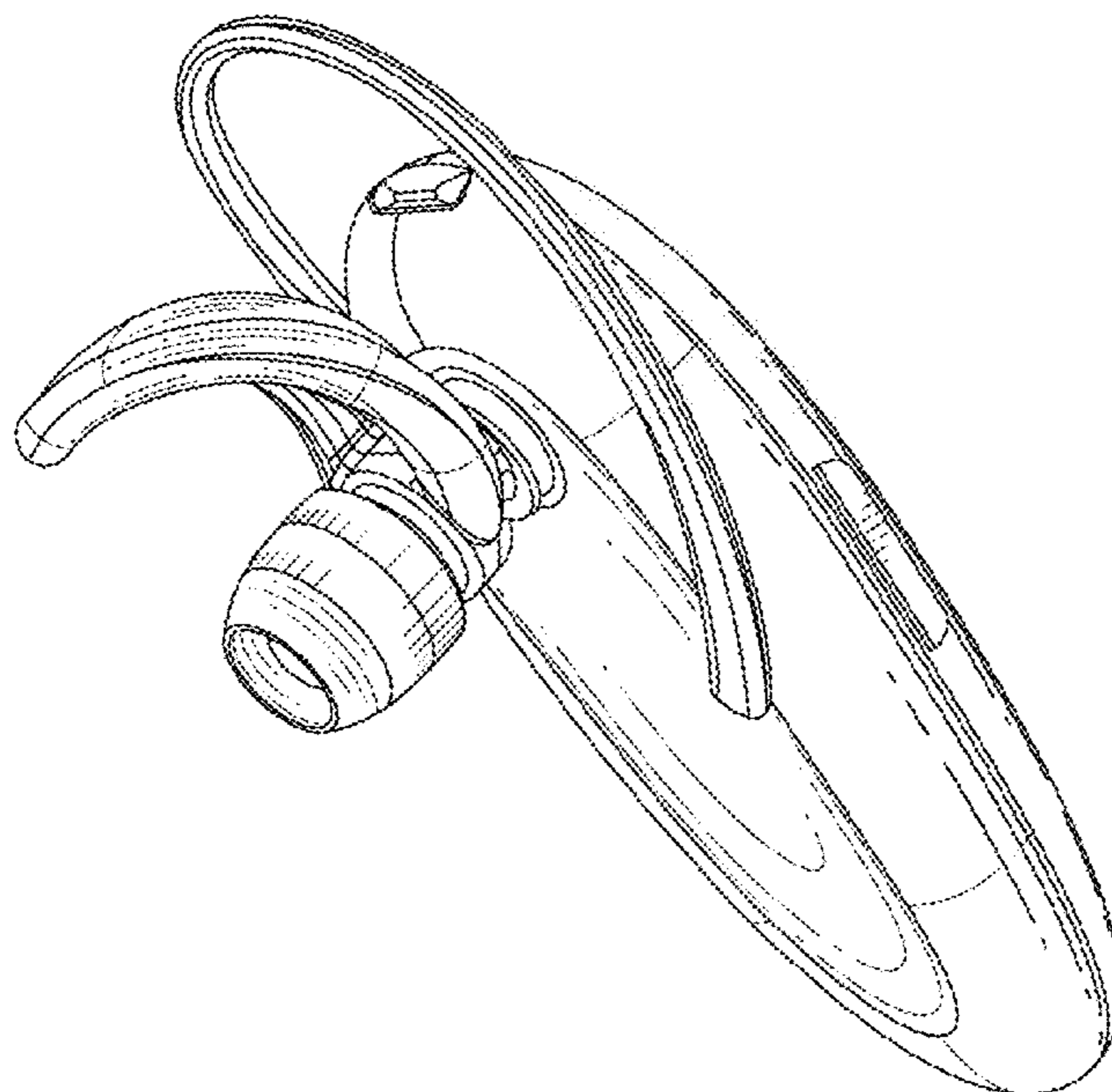
(57) **CLAIM**

The ornamental design for an acupuncture apparatus, as shown and described.

DESCRIPTION

FIG. 1 is a perspective view of an acupuncture apparatus showing my new design;
 FIG. 2 is a front view thereof;
 FIG. 3 is a rear view thereof;
 FIG. 4 is a left side view thereof;
 FIG. 5 is a right side view thereof;
 FIG. 6 is a bottom view thereof; and,
 FIG. 7 is a top view thereof.

1 Claim, 6 Drawing Sheets



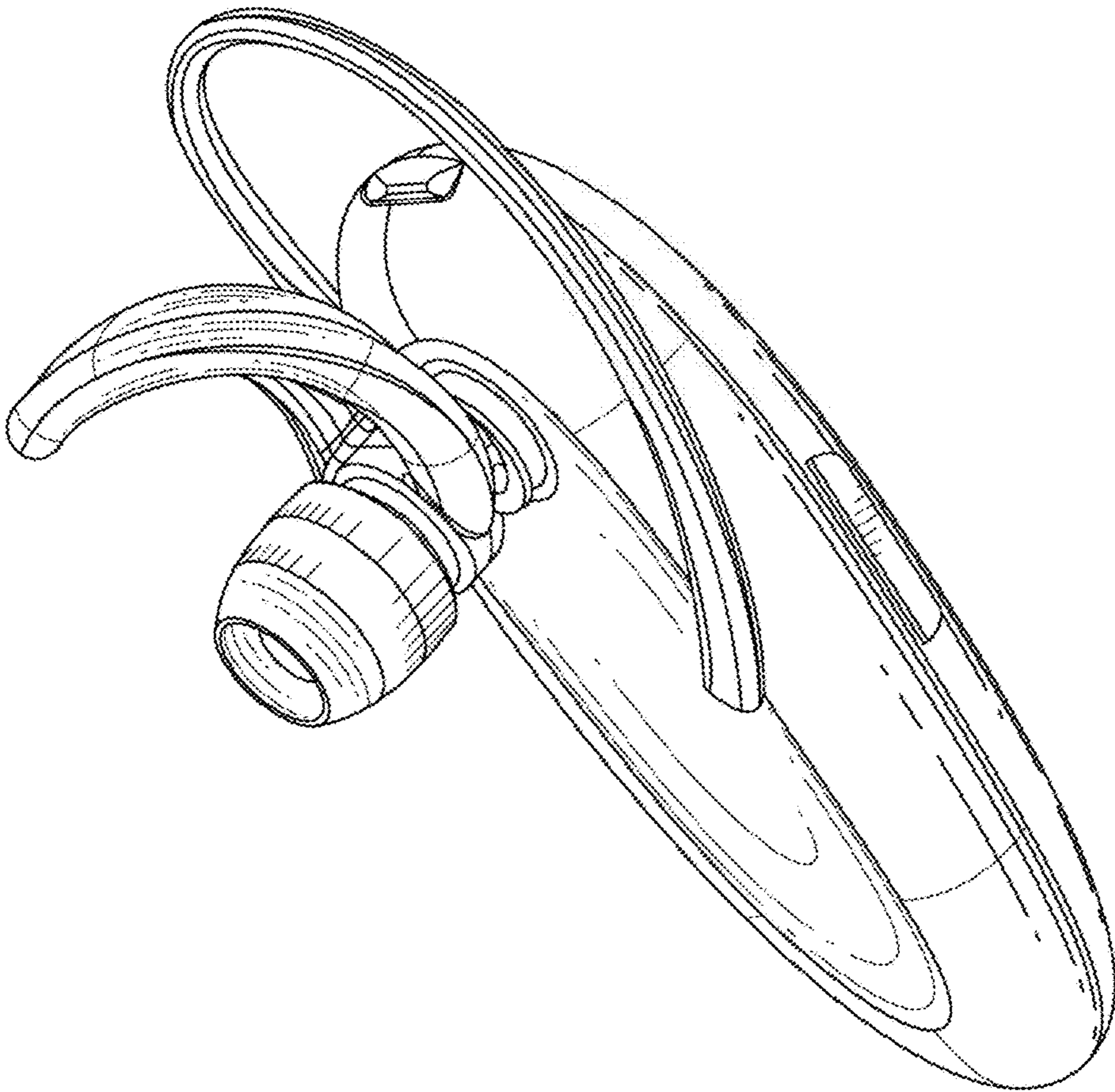


FIG. 1

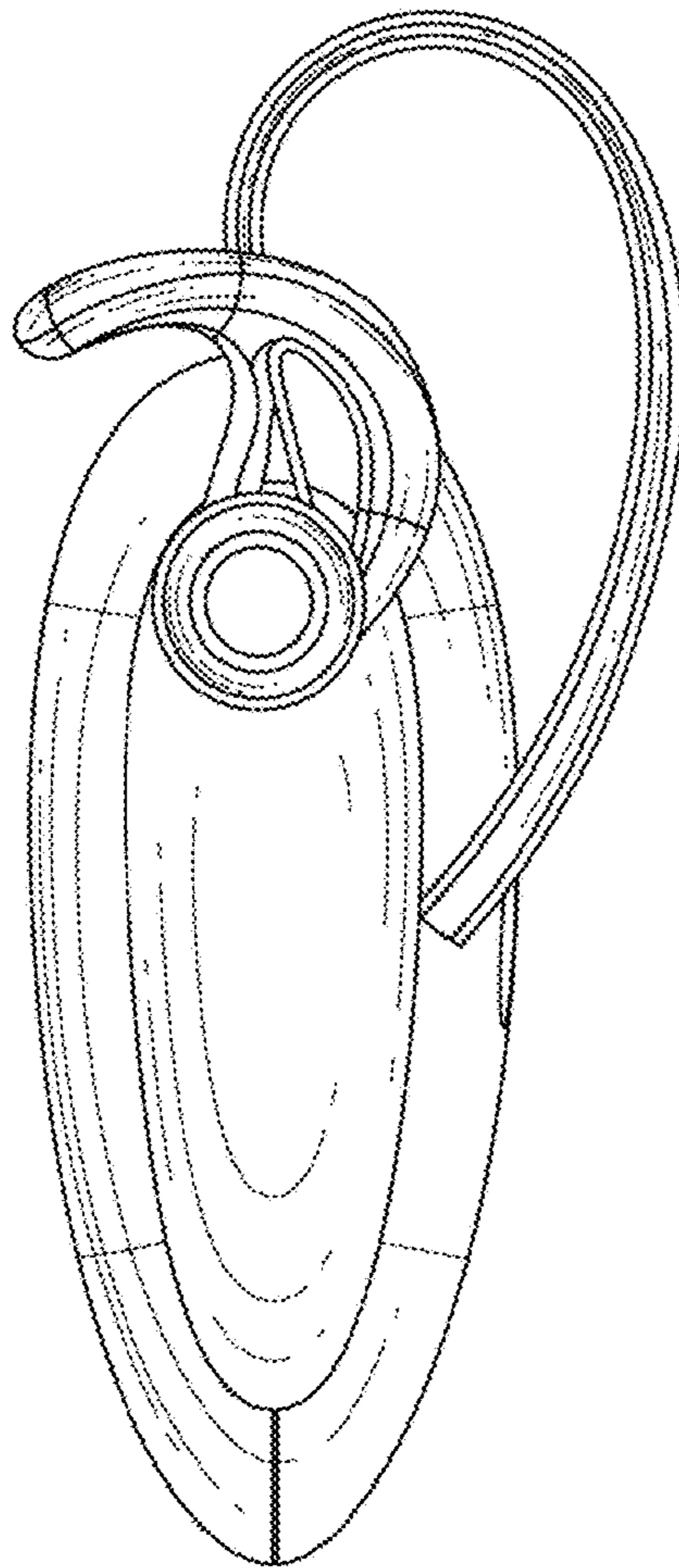


FIG. 2

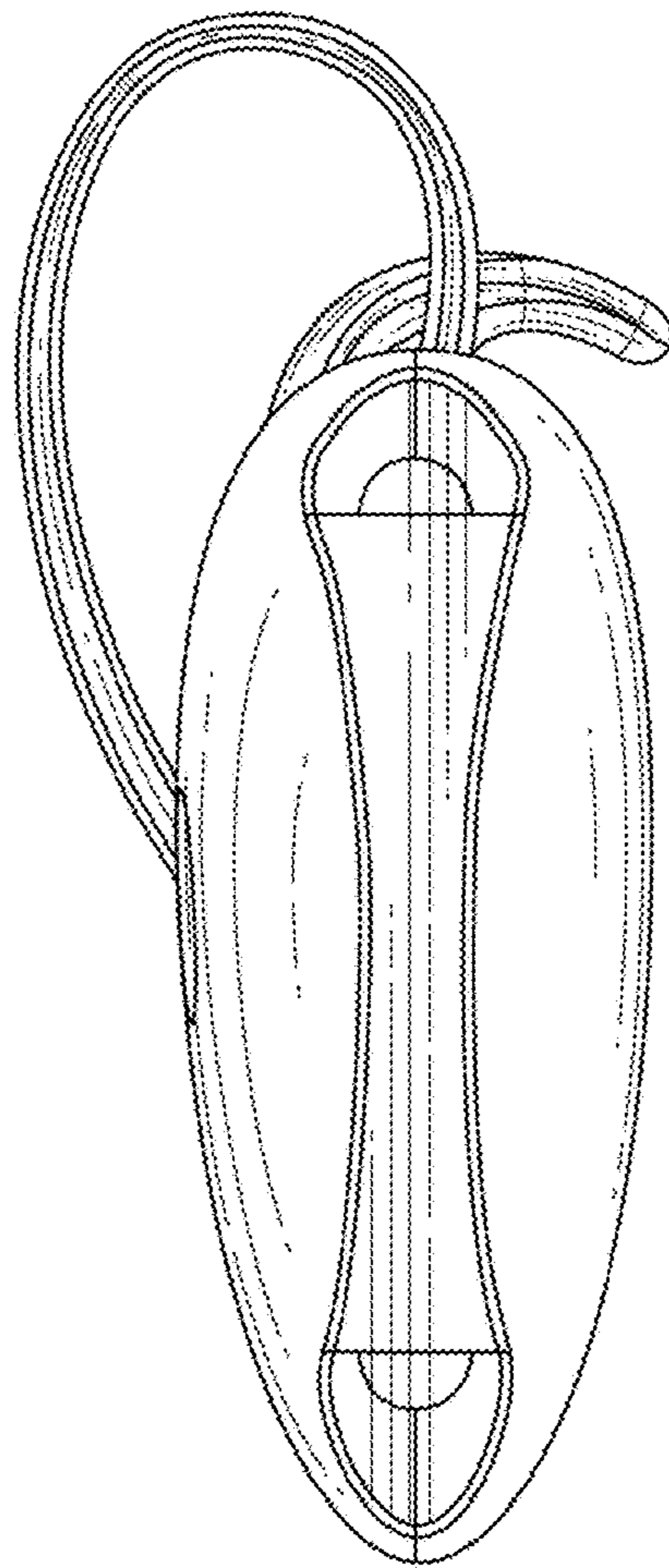


FIG. 3

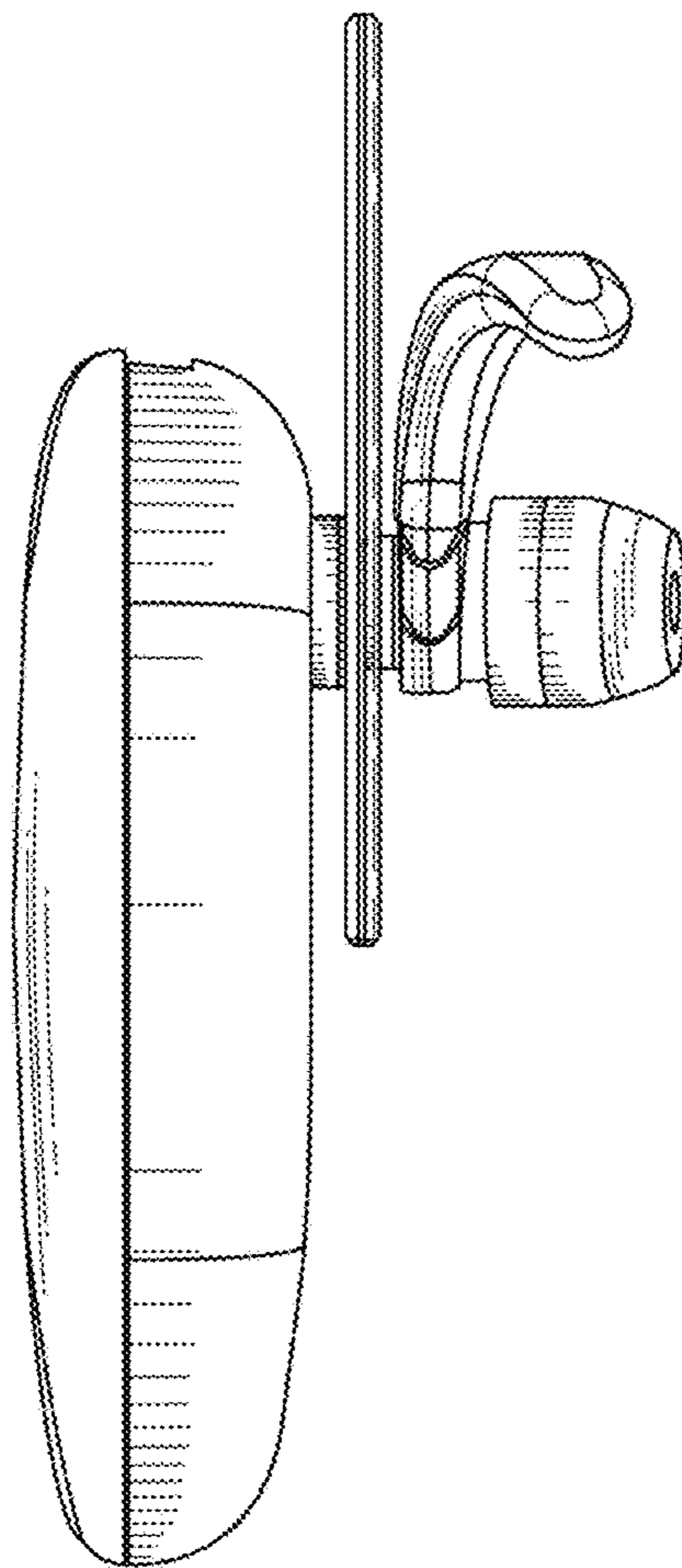


FIG. 4

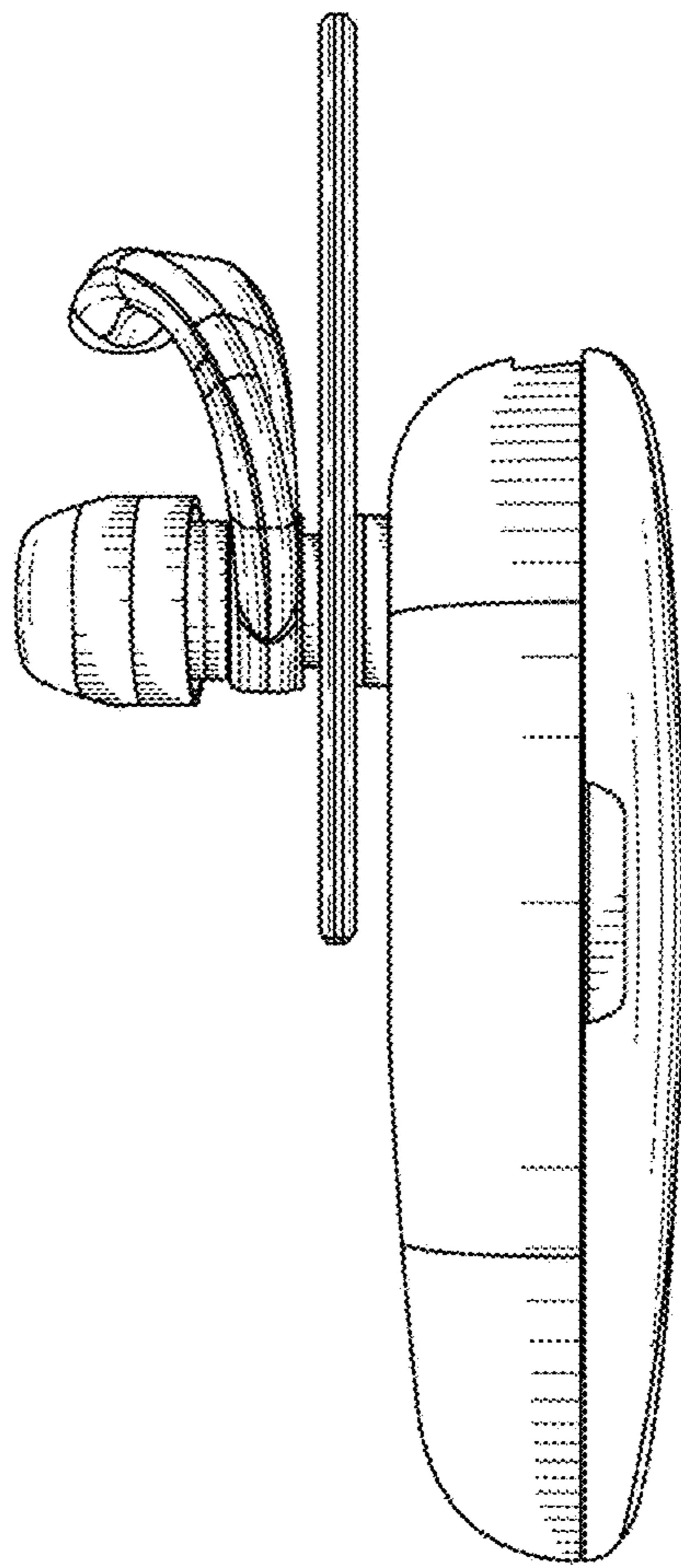


FIG. 5

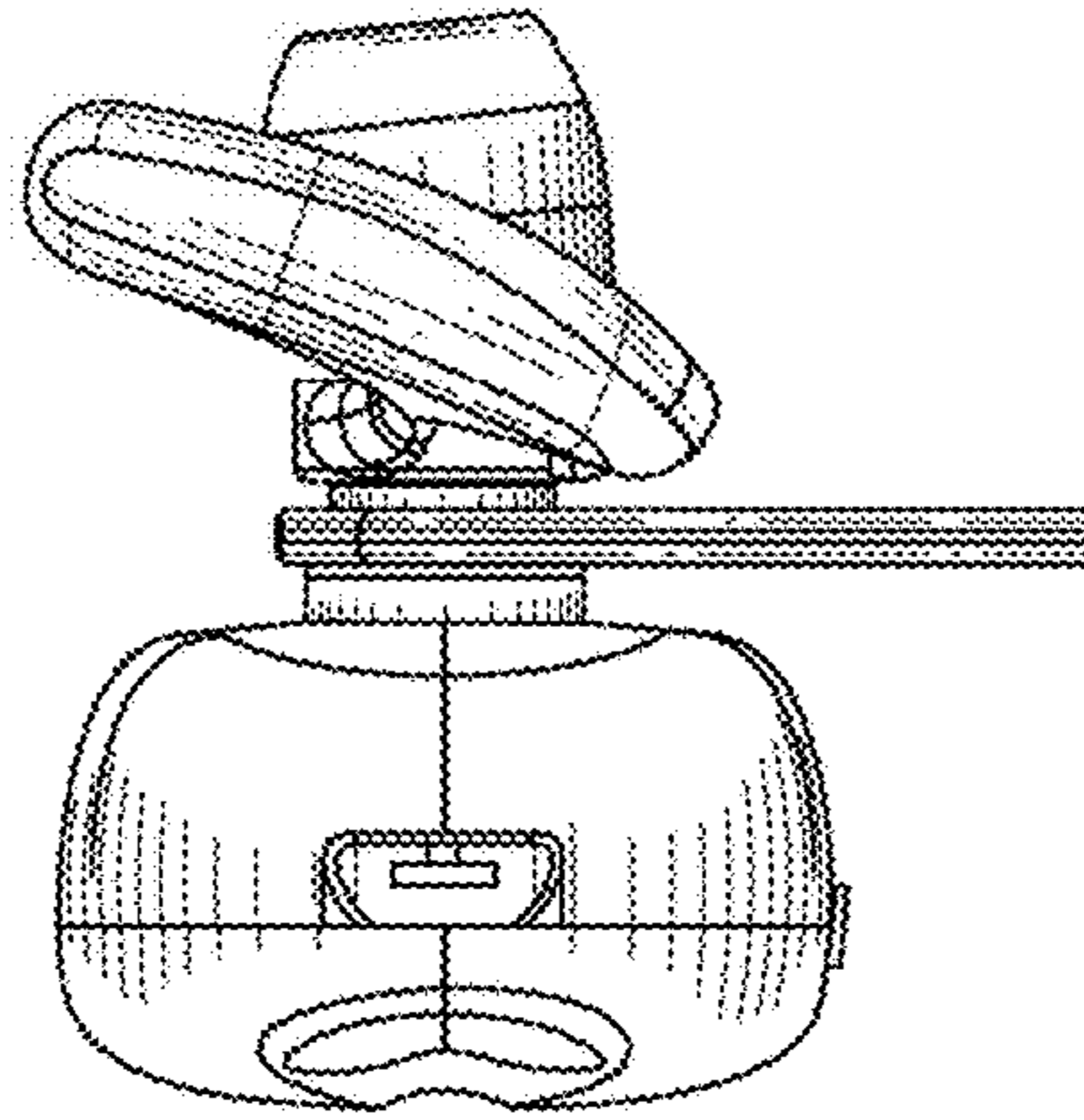


FIG. 6

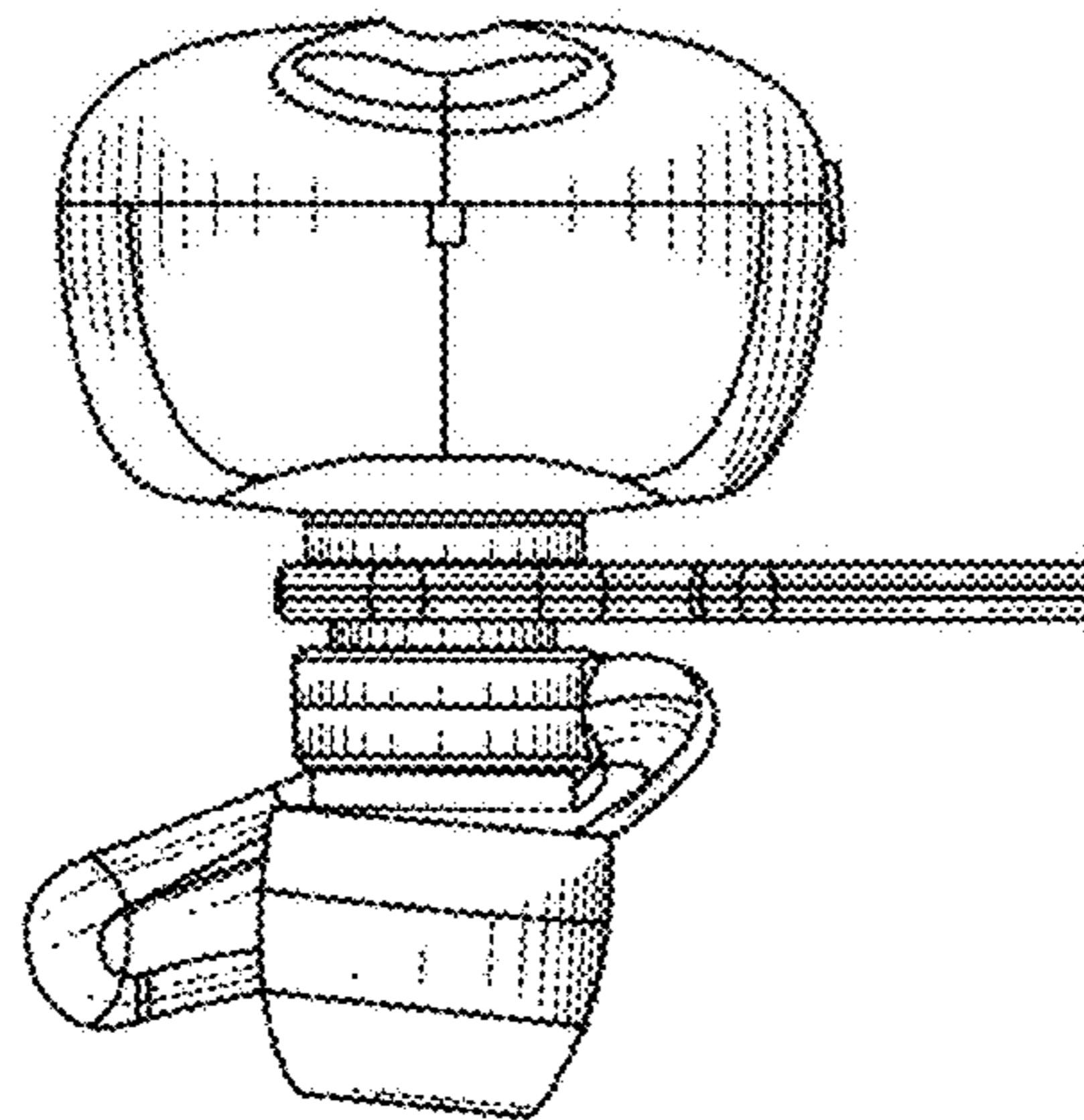


FIG. 7