

US00D850636S

(12) **United States Design Patent** (10) **Patent No.:** **US D850,636 S**  
**Davidson** (45) **Date of Patent:** **\*\* Jun. 4, 2019**

(54) **PACIFIER TETHER**  
(71) Applicant: **BOOGINHEAD LLC**, Issaquah, WA (US)  
(72) Inventor: **Sari Davidson**, Bellevue, WA (US)  
(73) Assignee: **BOOGINHEAD LLC**, Issaquah, WA (US)  
(\*\*) Term: **15 Years**  
(21) Appl. No.: **29/591,406**  
(22) Filed: **Jan. 19, 2017**  
(51) **LOC (11) Cl.** ..... **24-04**  
(52) **U.S. Cl.**  
USPC ..... **D24/194**  
(58) **Field of Classification Search**  
USPC ..... D24/117, 193, 194, 195, 196, 199;  
D30/151, 152, 153, 154  
CPC ..... A61J 17/001; A61J 17/008; A61J 11/006;  
A61J 11/0035  
See application file for complete search history.

D372,756 S \* 8/1996 May ..... D21/803  
D397,840 S \* 9/1998 Slocum ..... D2/891  
D413,984 S \* 9/1999 Lindsey ..... D24/199  
D419,751 S \* 2/2000 Hicks ..... D2/891  
D470,644 S \* 2/2003 Sherman ..... D2/891  
D666,730 S \* 9/2012 Del Solar ..... D24/194  
D690,427 S \* 9/2013 Granillo ..... D24/194  
(Continued)

(Continued)

**OTHER PUBLICATIONS**

“Pacifier Clip for Girls by Matimati.” Found online Jul. 27, 2018 at www.amazon.com. Product reviewed Jul. 30, 2016. Retrieved from URL: https://www.amazon.com/Pacifier-Clip-Girls-Matimati-Baby/dp/B01H2FHJM2 (Year: 2016).\*

(Continued)

*Primary Examiner* — Garth Rademaker  
*Assistant Examiner* — Katelin G Kloberg  
(74) *Attorney, Agent, or Firm* — Aeon Law, PLLC; Adam L. K. Philipp; Jonathan E. Olson

(57) **CLAIM**

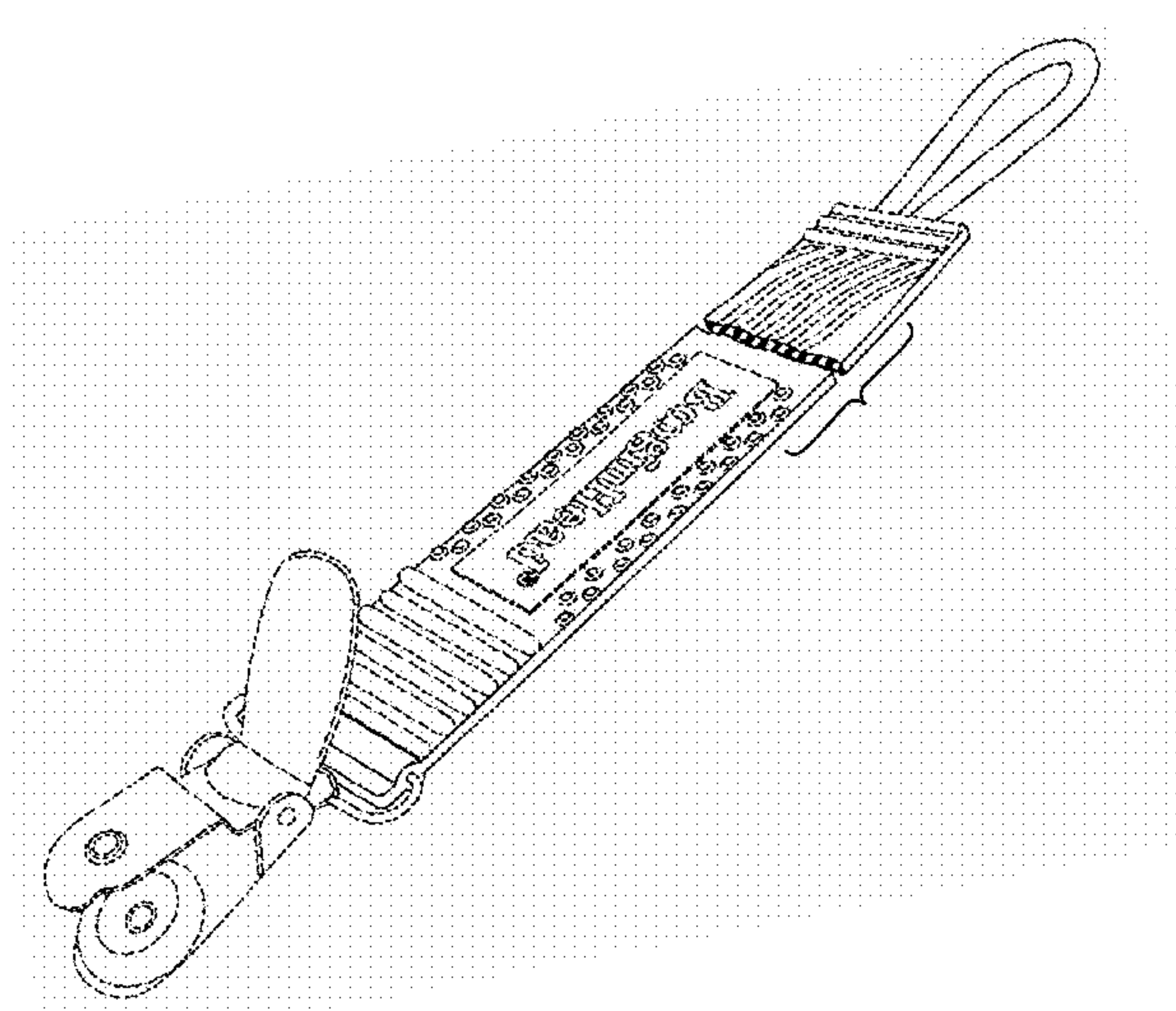
The ornamental design for a pacifier tether, as shown and described.

**DESCRIPTION**

FIG. 1 is a perspective view of a pacifier tether, showing the new design broken away;  
FIG. 2 is a top plan view showing the new design;  
FIG. 3 is a bottom plan view thereof;  
FIG. 4 is a side view thereof;  
FIG. 5 is an end view thereof; and,  
FIG. 6 is an opposite end view thereof.  
The broken lines depicting a clip represent environmental subject matter that forms no part of the claimed design. All other broken lines depict portions of the article that form no part of the claimed design.

**1 Claim, 5 Drawing Sheets**

(56) **References Cited**  
U.S. PATENT DOCUMENTS  
954,066 A \* 4/1910 Ware ..... A61J 17/001  
606/236  
1,287,295 A \* 12/1918 Guenther ..... A61J 17/001  
606/236  
3,441,005 A \* 4/1969 Fink ..... A01K 27/005  
119/798  
D225,039 S \* 10/1972 Sauritis ..... D24/195  
D293,043 S \* 12/1987 Zamboni ..... D11/215  
4,765,037 A \* 8/1988 Perry ..... A61J 17/00  
24/3.13  
4,903,698 A \* 2/1990 Huber ..... A61J 9/06  
24/17 AP  
D310,716 S \* 9/1990 Trask ..... D24/195  
4,994,075 A \* 2/1991 Smith ..... A61J 17/00  
24/301  
D326,917 S \* 6/1992 Roberts ..... D24/194



(56)

**References Cited**

U.S. PATENT DOCUMENTS

D732,675 S *	6/2015	Granillo .....	D24/194
D751,130 S *	3/2016	Burton .....	D16/208
2012/0006869 A1 *	1/2012	McCarty .....	A45F 5/02
			224/269
2013/0192000 A1 *	8/2013	Posner .....	A47D 15/00
			5/658
2014/0257388 A1 *	9/2014	Dunn .....	A45F 5/02
			606/236
2017/0238641 A1 *	8/2017	Chapman .....	A42B 1/24

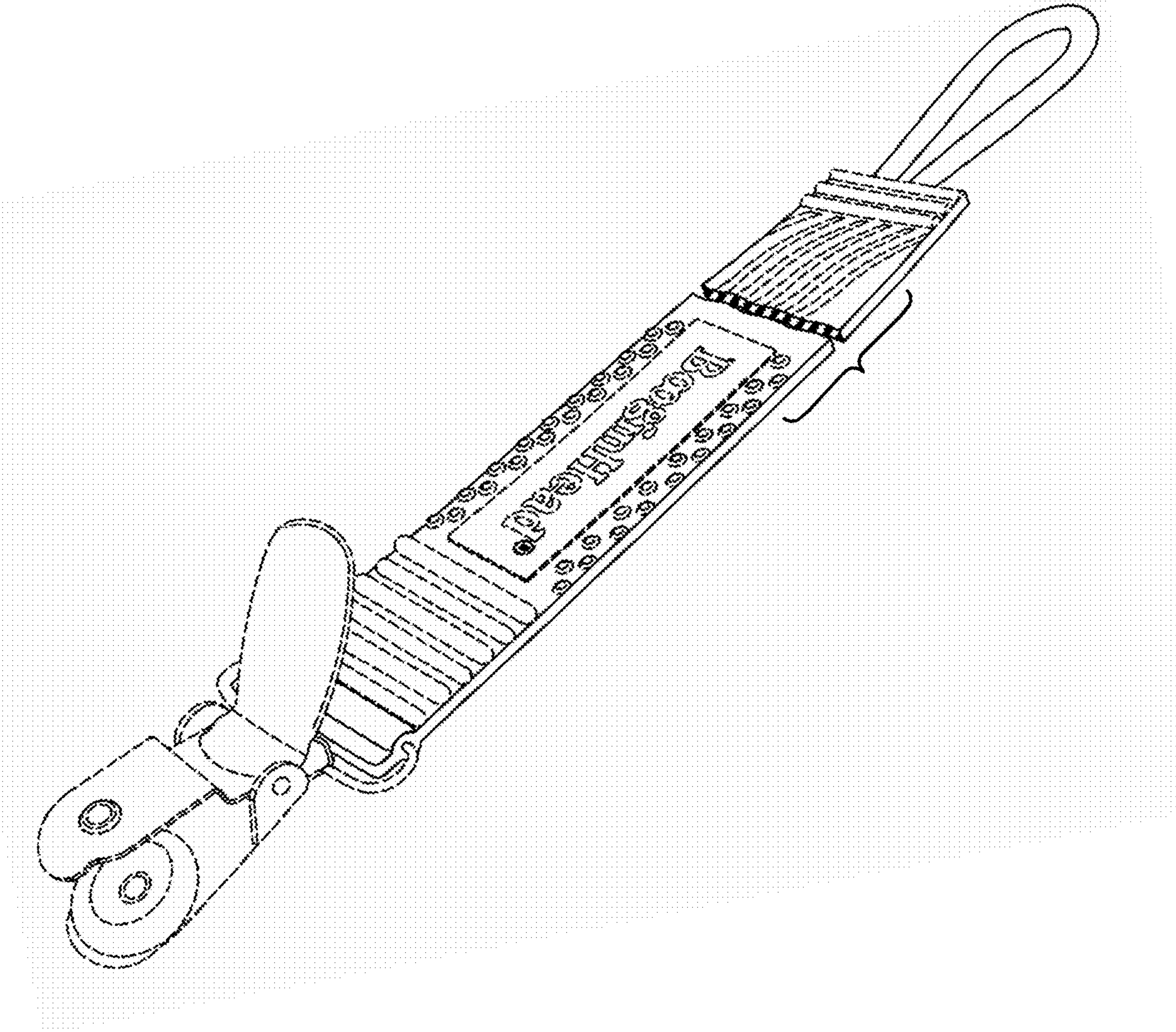
OTHER PUBLICATIONS

“Elefantot 4 Pacifier Clip Holder.” Found online Aug. 2, 2018 at [www.amazon.com](http://www.amazon.com). Product reviewed Sep. 5, 2016. Retrieved from URL: [https://www.amazon.com/dp/B07CM211Z9/ref=sspa\\_dk\\_detail\\_13?th=1](https://www.amazon.com/dp/B07CM211Z9/ref=sspa_dk_detail_13?th=1) (Year: 2016).\*

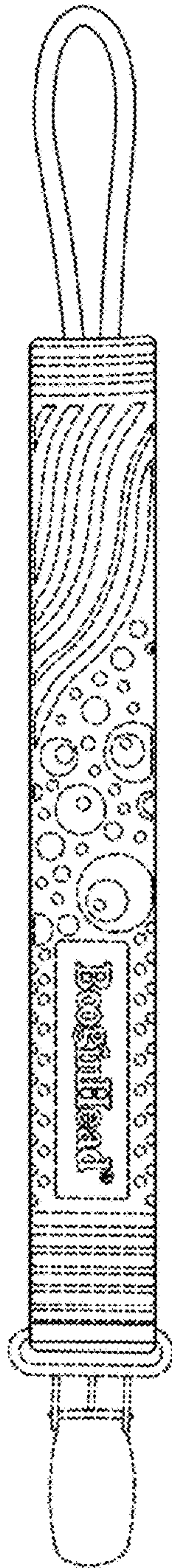
“BooginHead—PaciGrip Pacifier Clip and Pacifier Holder with Universal Loop.” Found online Jul. 27, 2018 at [www.amazon.com](http://www.amazon.com). Product reviewed Oct. 24, 2017. Retrieved from URL: <https://www.amazon.com/BooginHead-PaciGrip-Pacifier-Holder-Silicone/dp/B01N6SR0GC> (Year: 2017).\*

“BooginHead—PaciGrip Silicone.” Found online Jul. 27, 2018 at [www.youtube.com](http://www.youtube.com). Video published Jan. 15, 2018. Retrieved from URL: <https://www.youtube.com/watch?v=3hdQA1Ypz98> (Year: 2018).\*

\* cited by examiner

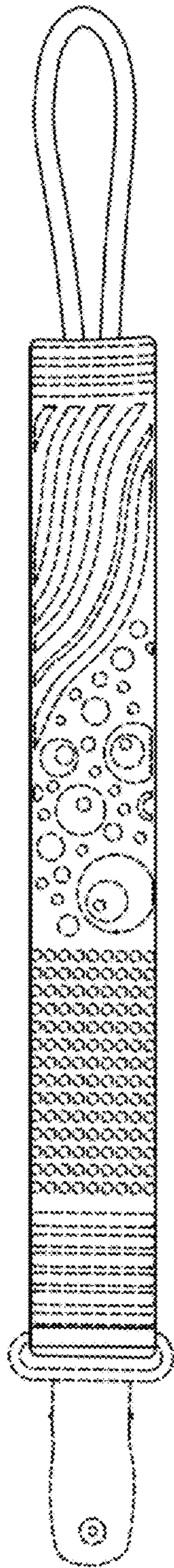


*Fig. 1*

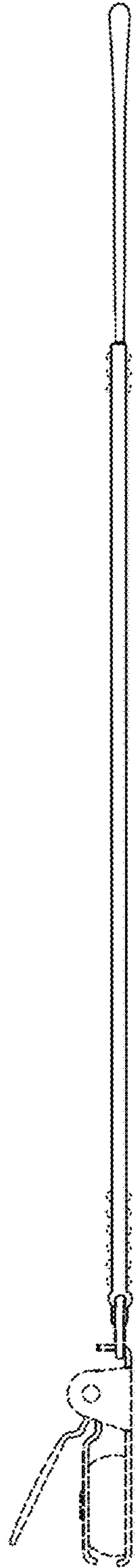


*Fig. 2*

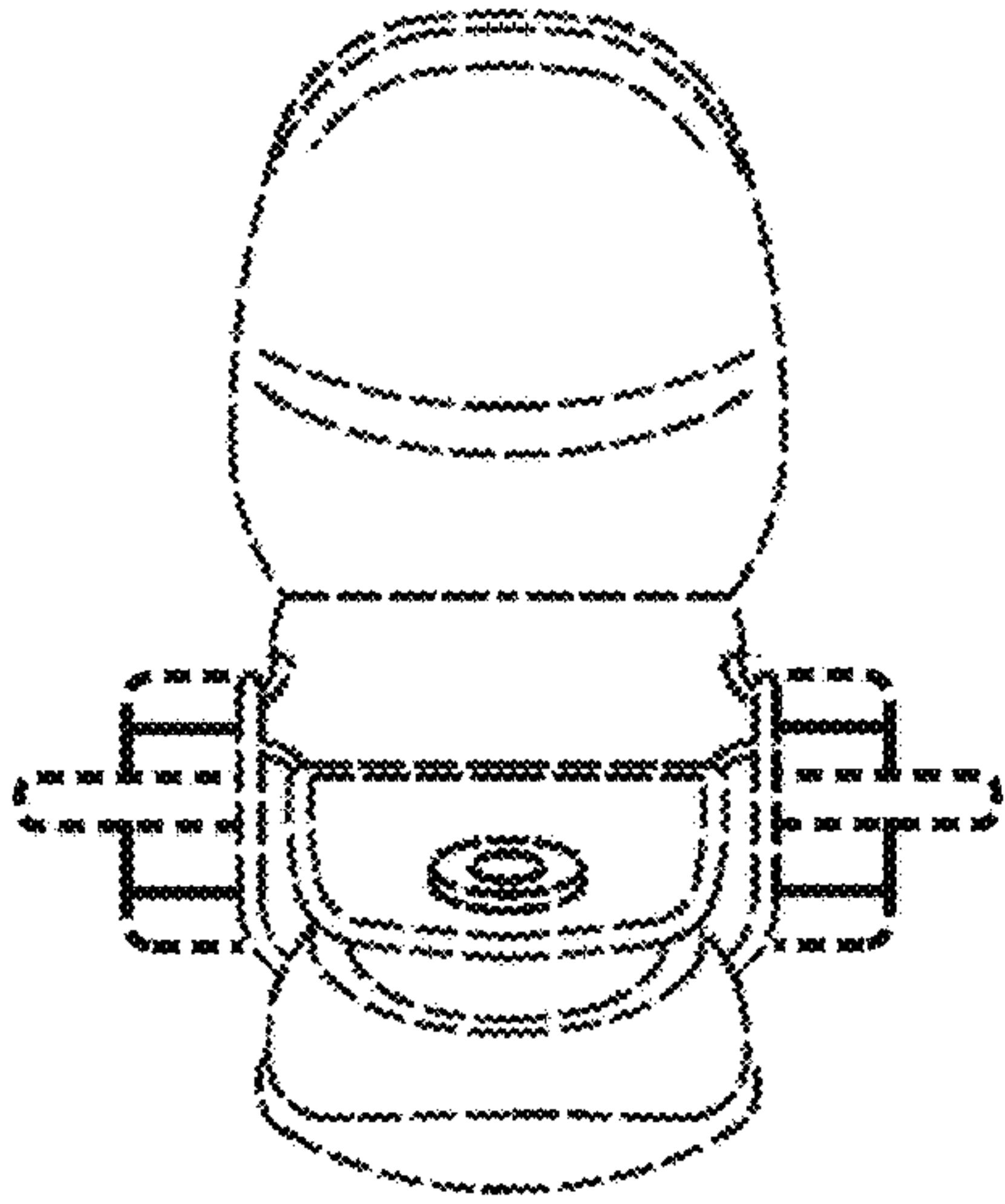




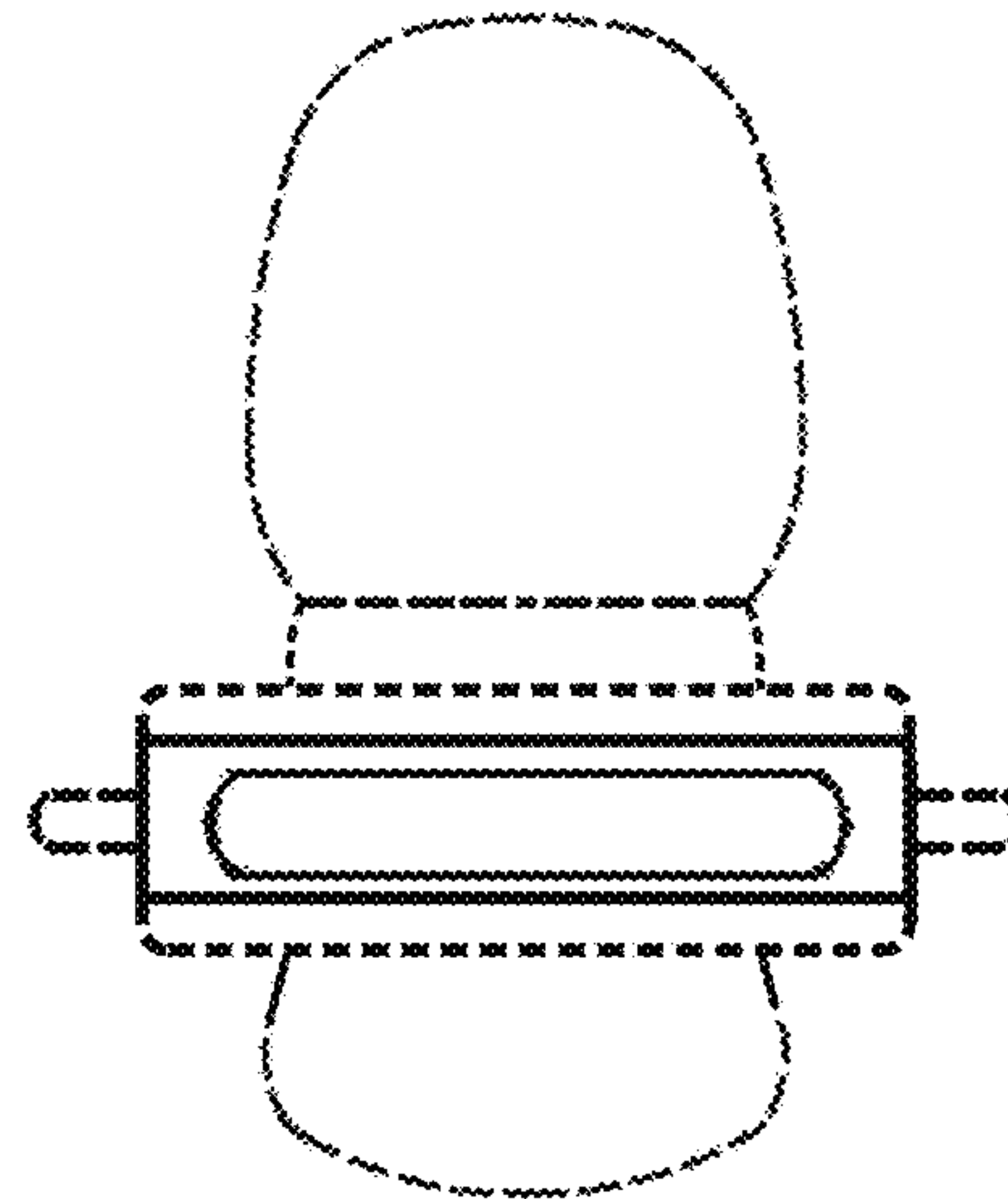
*Fig. 3*



*Fig. 4*



*Fig. 5*



*Fig. 6*