



US00D850634S

(12) **United States Design Patent**
Hudson

(10) **Patent No.:** **US D850,634 S**
(45) **Date of Patent:** **** Jun. 4, 2019**

- (54) **CAR SEAT SPINAL ALIGNMENT BRACE**
- (71) Applicant: **Beryl R. Hudson**, Rathdrum, ID (US)
- (72) Inventor: **Beryl R. Hudson**, Rathdrum, ID (US)
- (**) Term: **15 Years**
- (21) Appl. No.: **29/620,414**
- (22) Filed: **Nov. 30, 2016**
- (51) **LOC (11) Cl.** **24-01**
- (52) **U.S. Cl.**
USPC **D24/190; D6/356**
- (58) **Field of Classification Search**
USPC D24/189-190; D6/333, 356, 611
CPC .. A61F 5/028; A61F 5/026; A61F 5/03; A61F
5/055; B60R 7/043; B60R 22/105; B60R
22/02; B60R 22/12; B60R 22/26; B60R
22/30
See application file for complete search history.

9,051,033 B2 * 6/2015 Alphin B63B 35/7946
 9,555,823 B2 * 1/2017 Dehmer B60N 2/28
 D779,845 S * 2/2017 Iannazzo D6/356
 D811,614 S * 2/2018 Marton D24/190
 2015/0274082 A1 * 10/2015 Khazadian B60R 7/10
 24/716

* cited by examiner

Primary Examiner — Jennifer L Watkins
(74) *Attorney, Agent, or Firm* — Suzanne Kikel, Patent Agent

(57) **CLAIM**

The ornamental design for a car seat spinal alignment brace, as shown and described.

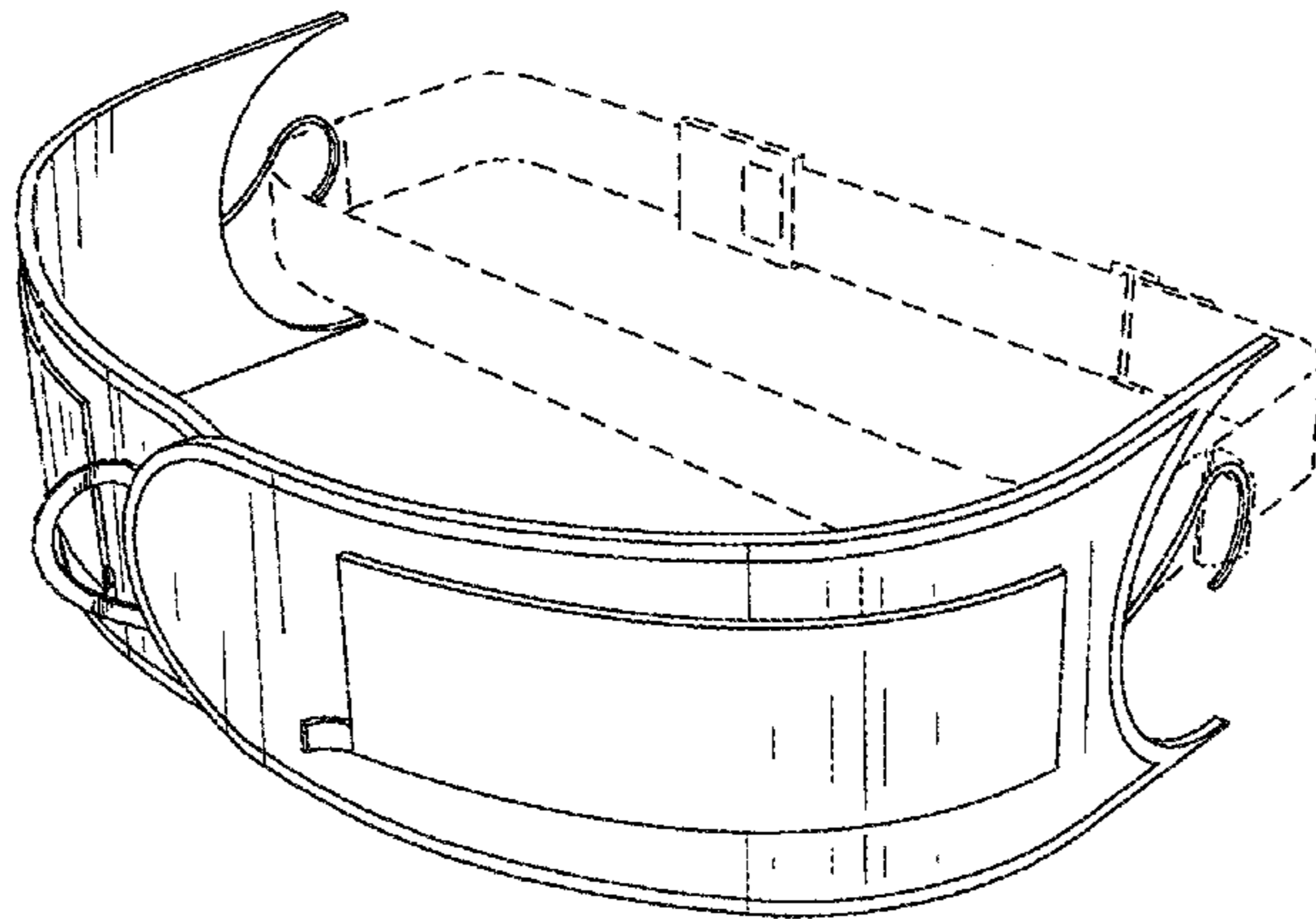
DESCRIPTION

FIG. 1 is a front perspective view of a car seat spinal alignment brace, showing my new design and its attachment to a car seat via an optional strap.
 FIG. 2 is an enlarged front perspective view of a car seat spinal alignment brace of FIG. 1 with an optional strap.
 FIG. 3 is a front elevational view of the car seat spinal alignment brace of FIG. 2 without the optional strap.
 FIG. 4 is a rear elevational view thereof.
 FIG. 5 is a right side elevational view thereof.
 FIG. 6 is a left side elevational thereof.
 FIG. 7 is a top view thereof; and,
 FIG. 8 is a bottom view thereof.
 The broken lines showing of a car seat and optional strap in FIGS. 1 and 2 depict environmental subject matter and form no part of the claim.

1 Claim, 6 Drawing Sheets

(56) **References Cited**
U.S. PATENT DOCUMENTS

2,822,033	A	2/1958	Dixon	
3,992,057	A	11/1976	Studebaker	
4,753,478	A	6/1988	Weinreich	
D311,608	S	10/1990	Harding	
5,101,811	A	4/1992	Brunswick	
5,482,324	A	1/1996	Gardiner et al.	
D394,713	S	5/1998	Darcey et al.	
D422,709	S *	4/2000	Caswell	D2/624
D468,434	S	1/2003	Slaughterback	
D518,895	S	4/2006	Weaver, II et al.	
7,128,724	B2	10/2006	Marsh	
D654,180	S	2/2012	Weaver, II	
D666,301	S	8/2012	Joseph	
D677,390	S	3/2013	Garth et al.	



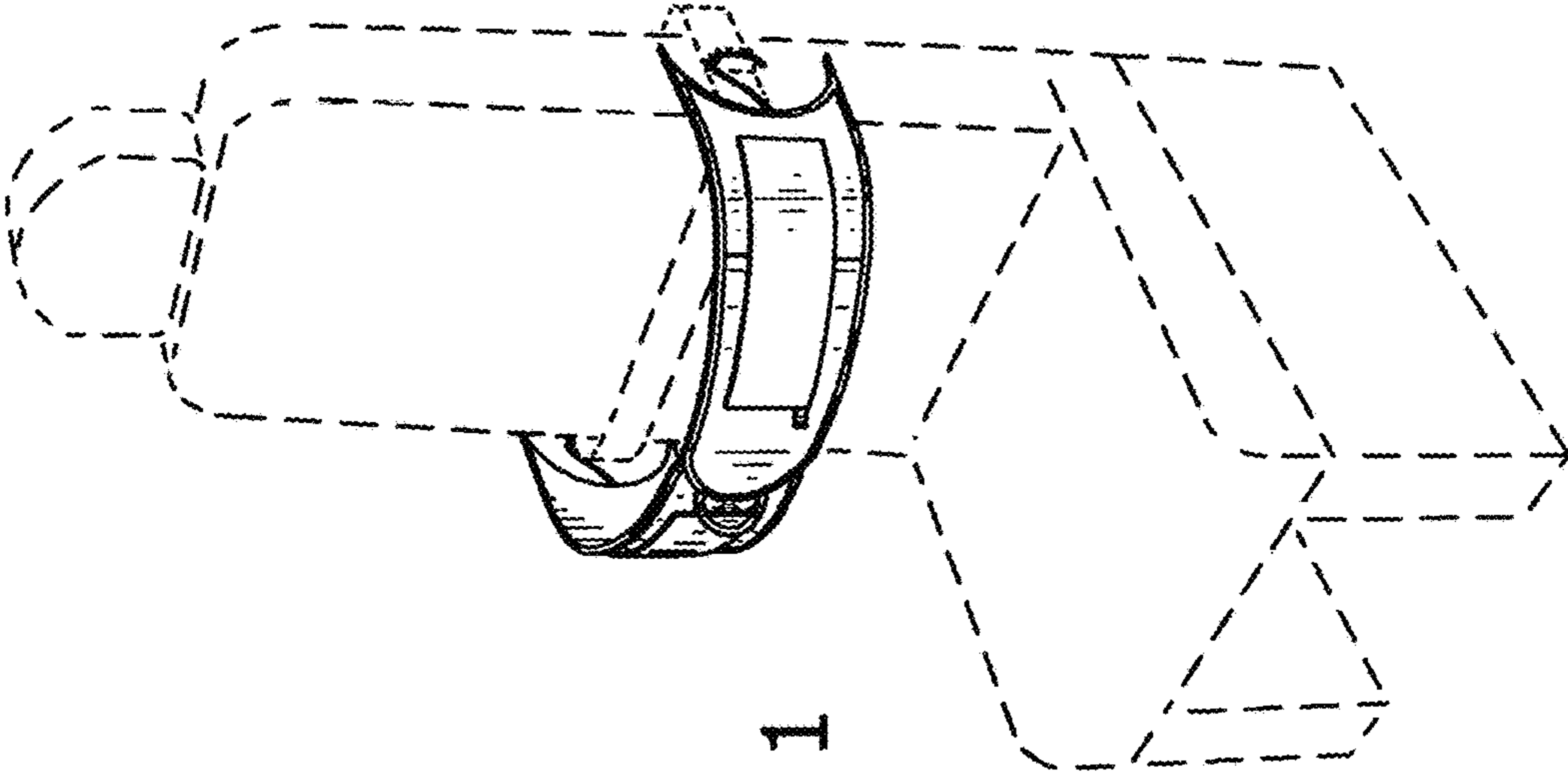


FIG. 1

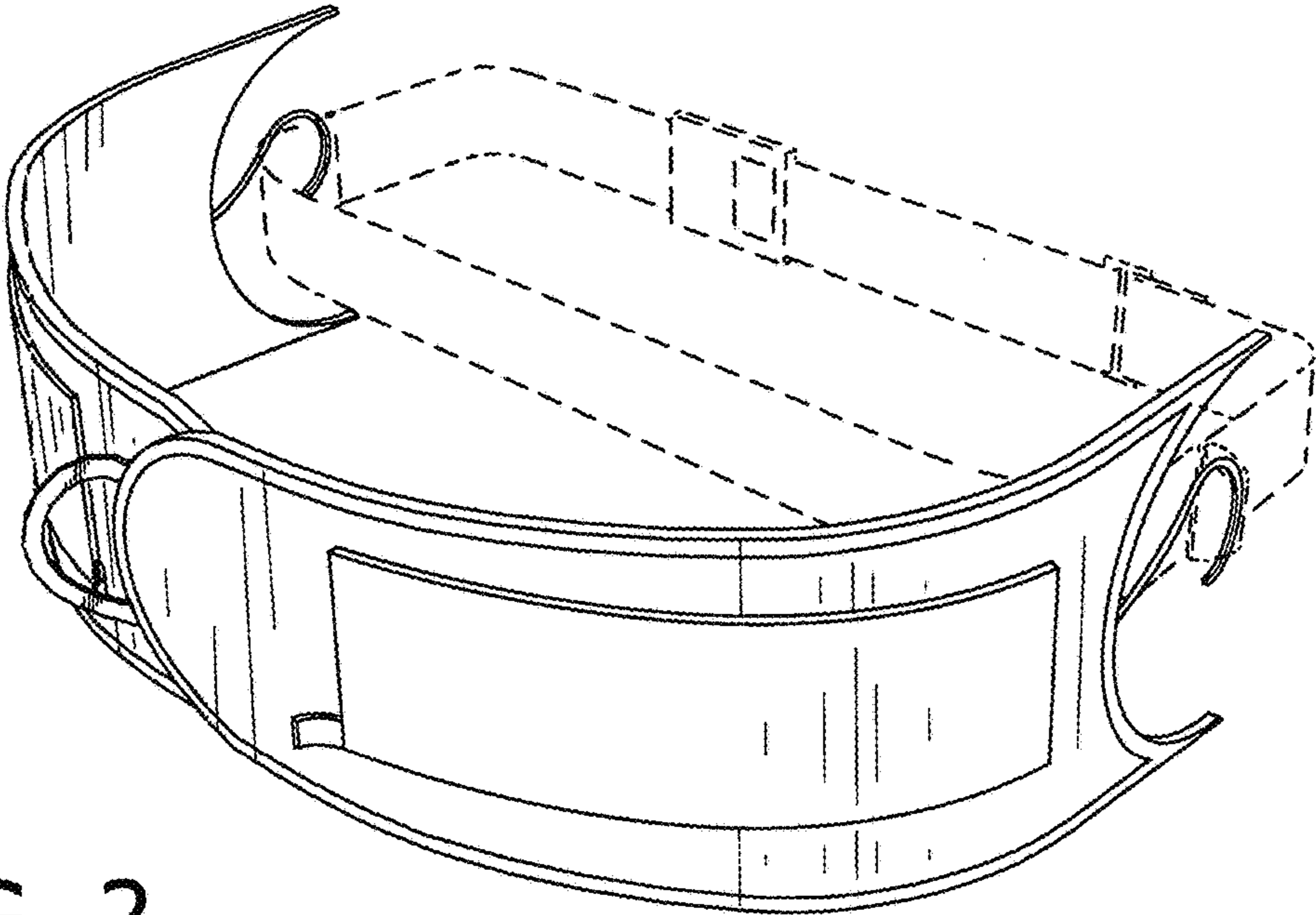


FIG. 2

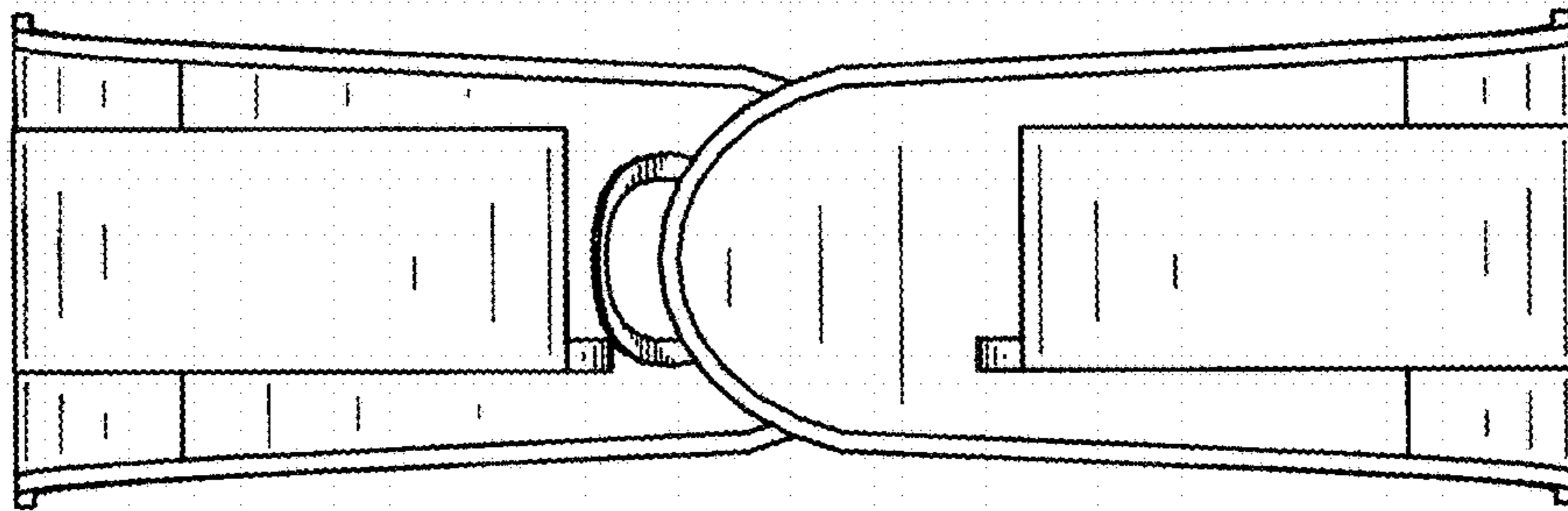


FIG. 3

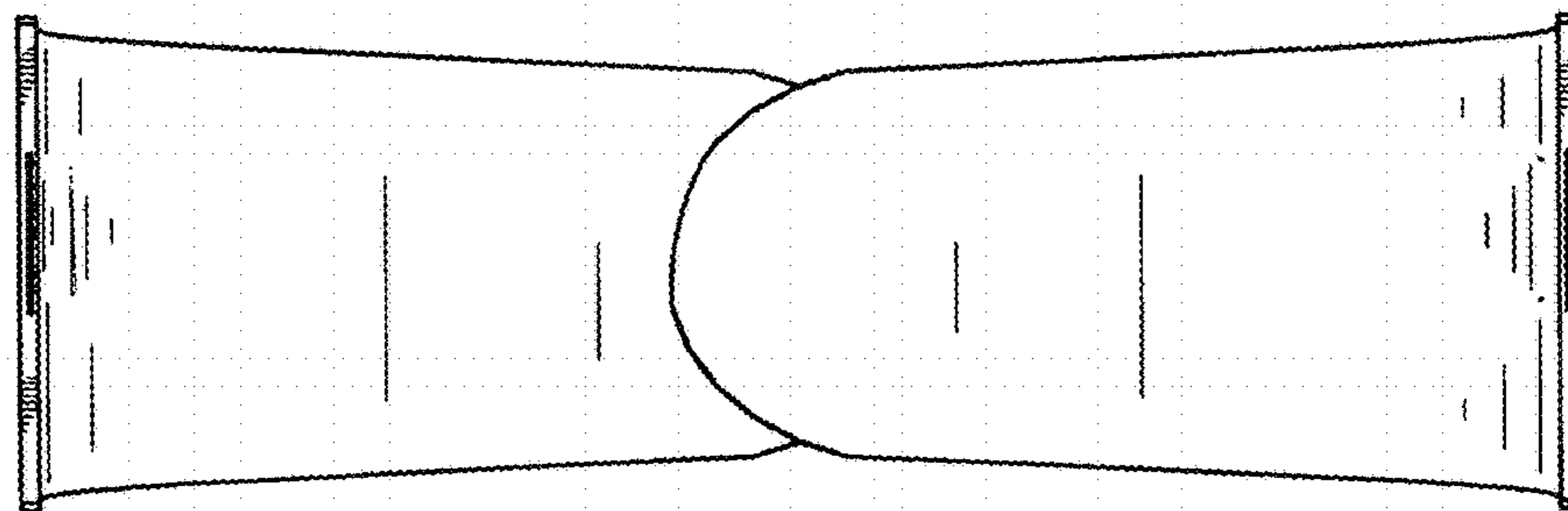


FIG. 4

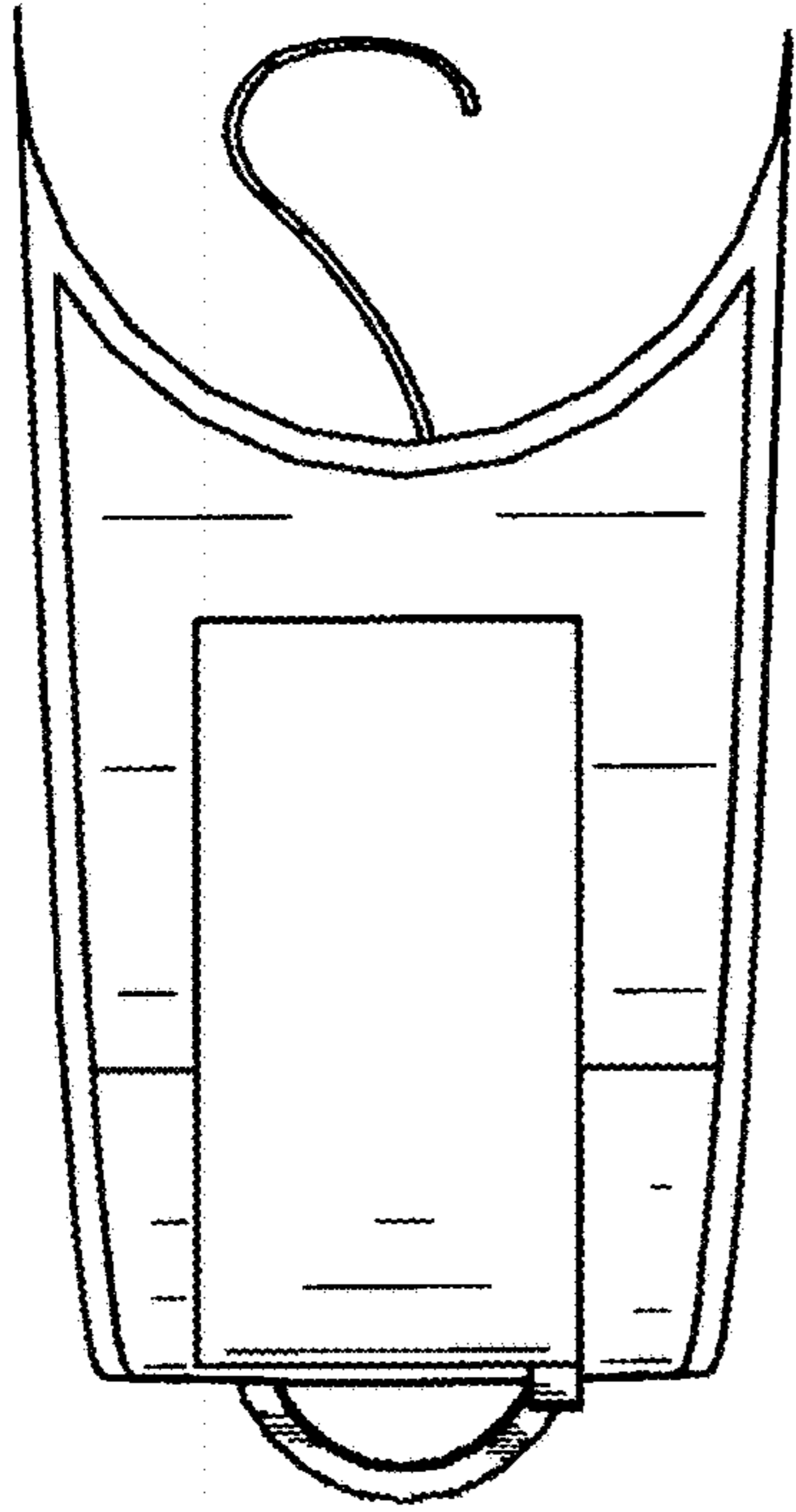


FIG. 5

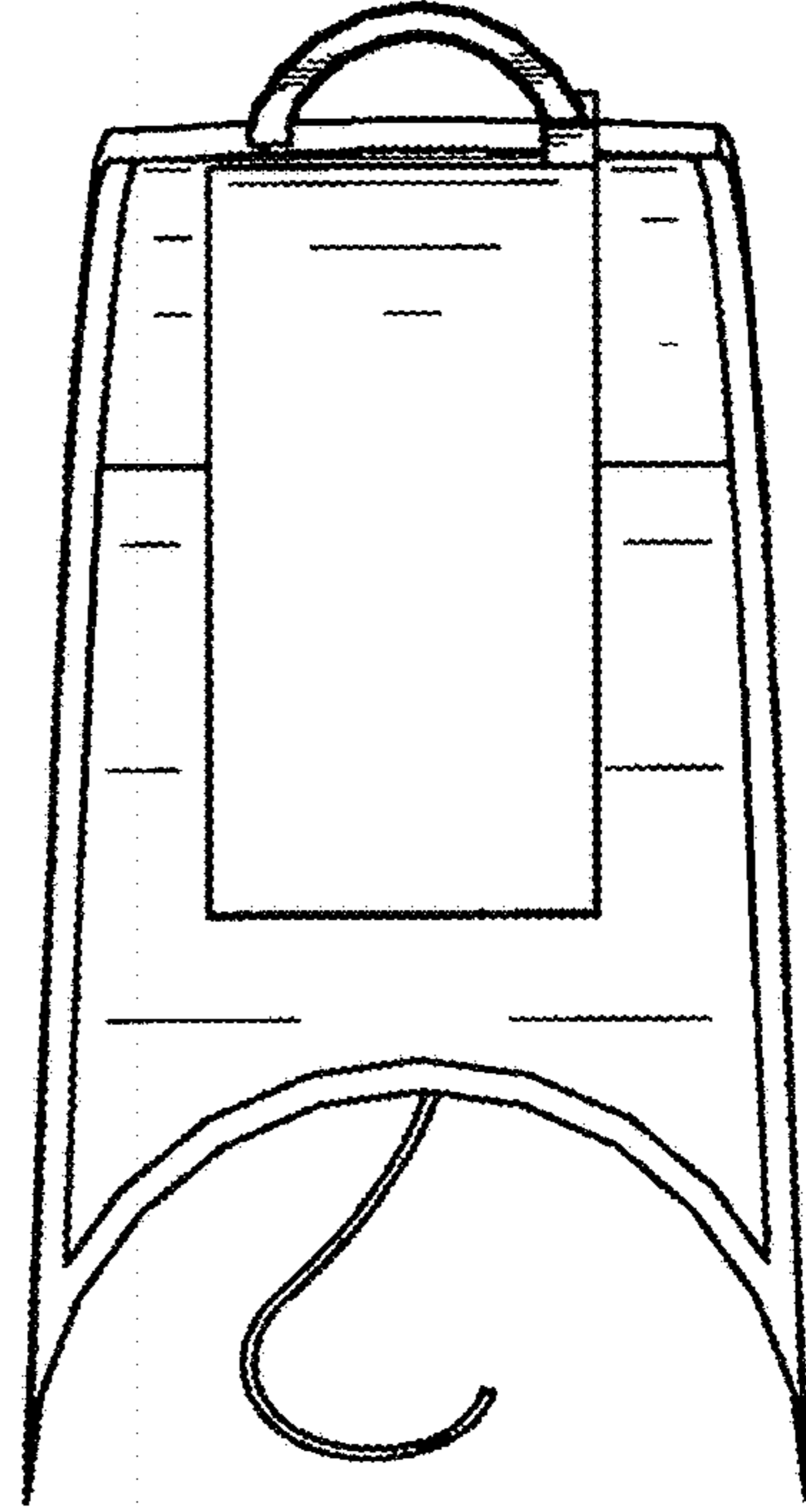


FIG. 6

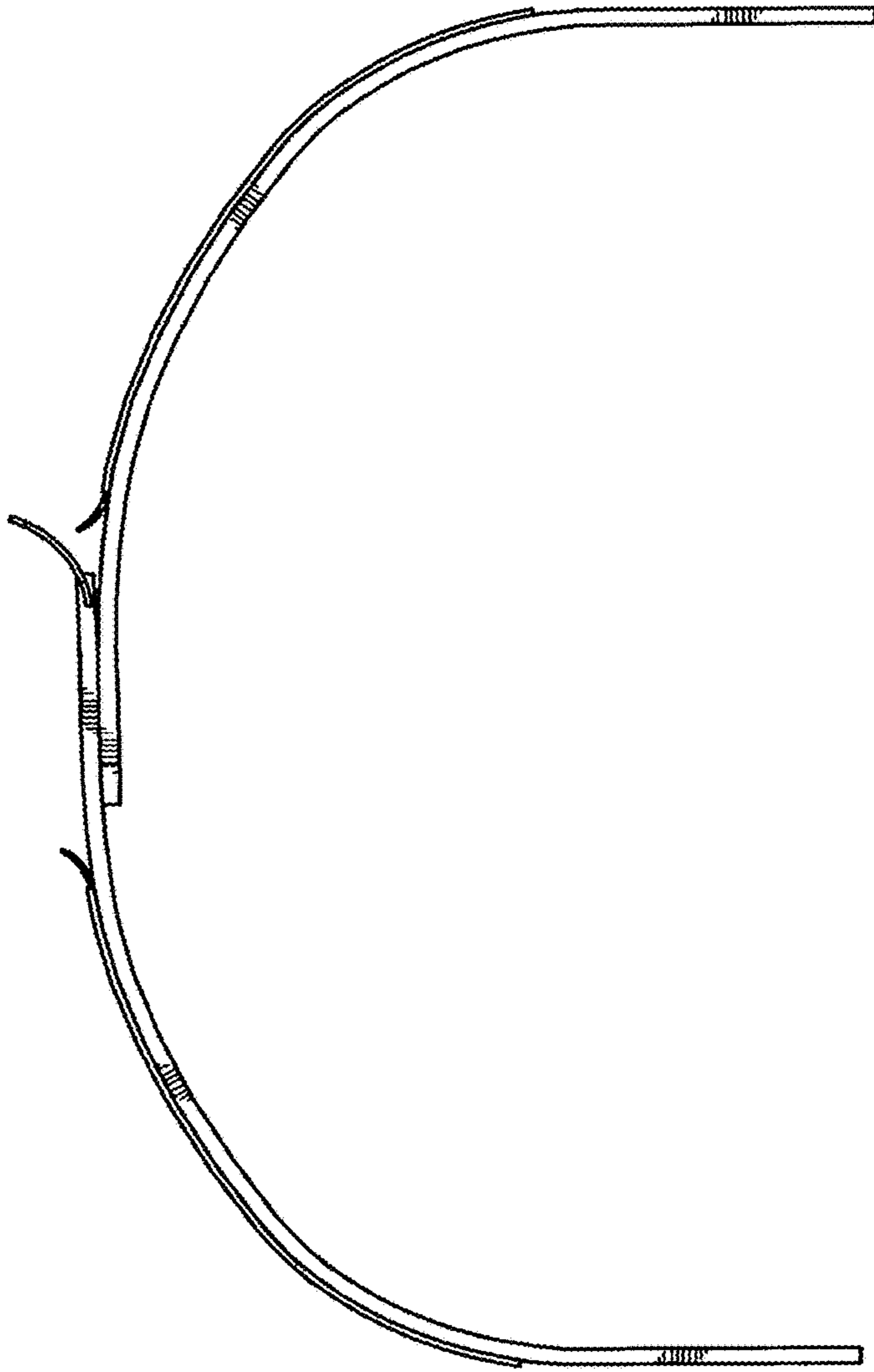


FIG. 7

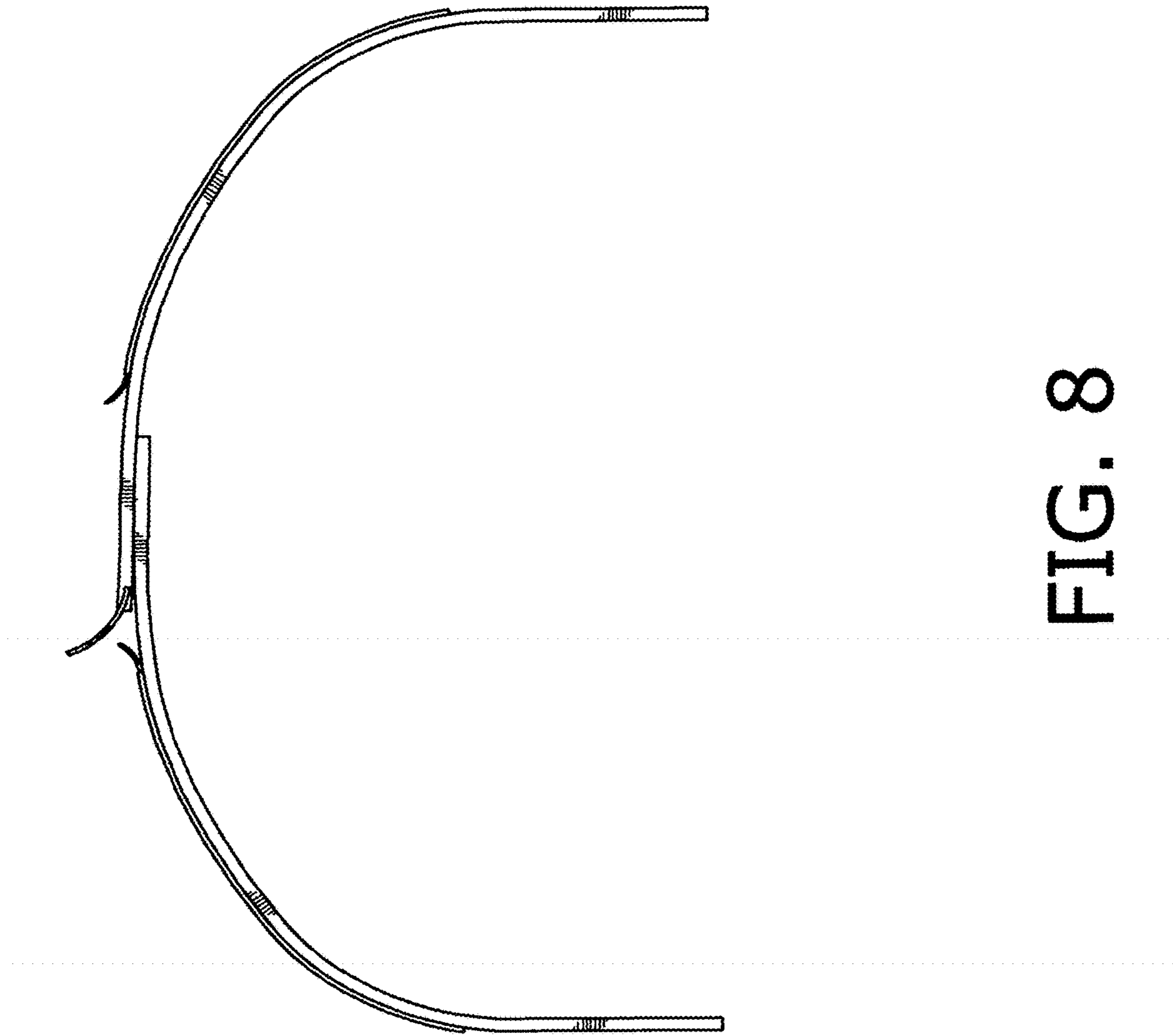


FIG. 8