



US00D850631S

(12) **United States Design Patent**
McEwen et al.

(10) **Patent No.:** **US D850,631 S**

(45) **Date of Patent:** **** Jun. 4, 2019**

(54) **TAPERED SLEEVE WITH SEAMS**

(71) Applicant: **Western Clinical Engineering Ltd.**,
Vancouver (CA)

(72) Inventors: **James Allen McEwen**, Vancouver
(CA); **Michael Jameson**, North
Vancouver (CA); **Tom Yu Chia Lai**,
Vancouver (CA); **Jane Dorothea**
Procyshyn, Surrey (CA); **Joshua**
Jonathan Sam, Vancouver (CA)

(73) Assignee: **Western Clinical Engineering Ltd.**,
Vancouver (CA)

(**) Term: **15 Years**

(21) Appl. No.: **29/618,580**

(22) Filed: **Sep. 21, 2017**

(51) **LOC (11) Cl.** **24-04**

(52) **U.S. Cl.**
USPC **D24/189**

(58) **Field of Classification Search**
USPC D24/155, 183, 188–192, 199, 200, 206,
D24/212–214; D2/610, 612, 901, 980,
(Continued)

(56) **References Cited**

U.S. PATENT DOCUMENTS

D282,409 S * 2/1986 Dryzal D2/860
D405,558 S * 2/1999 Campisi D29/121.1
(Continued)

OTHER PUBLICATIONS

Oka. 10Cm Narrow Cone Card Lampshade. 2018. <URL:https://
www.oka.com/18cm-narrow-cone-card-lampshade-us.aspx?vid=
jjs117wht-0>. (Year: 2018).*

(Continued)

Primary Examiner — George D. Kirschbaum

Assistant Examiner — Darcey E Gottschalk

(74) *Attorney, Agent, or Firm* — Klarquist Sparkman,
LLP

(57) **CLAIM**

We claim the ornamental design for a tapered sleeve with
seams, as shown and described.

DESCRIPTION

FIG. 1 is a perspective view of the tapered sleeve with seams
showing our new design with the sleeve in an expanded
configuration from one end.

FIG. 2 is another perspective view thereof from an opposite
end;

FIG. 3 is a front side elevation view thereof with the sleeve
in an unexpanded configuration.

FIG. 4 is a top plan view of thereof.

FIG. 5 is a bottom plan view thereof.

FIG. 6 is a right side elevational view thereof.

FIG. 7 is a left side elevational view thereof.

FIG. 8 is a rear side elevation view thereof.

FIG. 9 is an enlarged view of a second embodiment of the
tapered sleeve with seams, taken from any area in a main
field of the design away from the seams.

FIG. 10 is a perspective view thereof with the sleeve in an
expanded configuration.

FIG. 11 is another perspective view thereof;

FIG. 12 is a front side elevation view thereof with the sleeve
in an unexpanded configuration.

FIG. 13 is a top plan view of thereof.

FIG. 14 is a bottom plan view thereof.

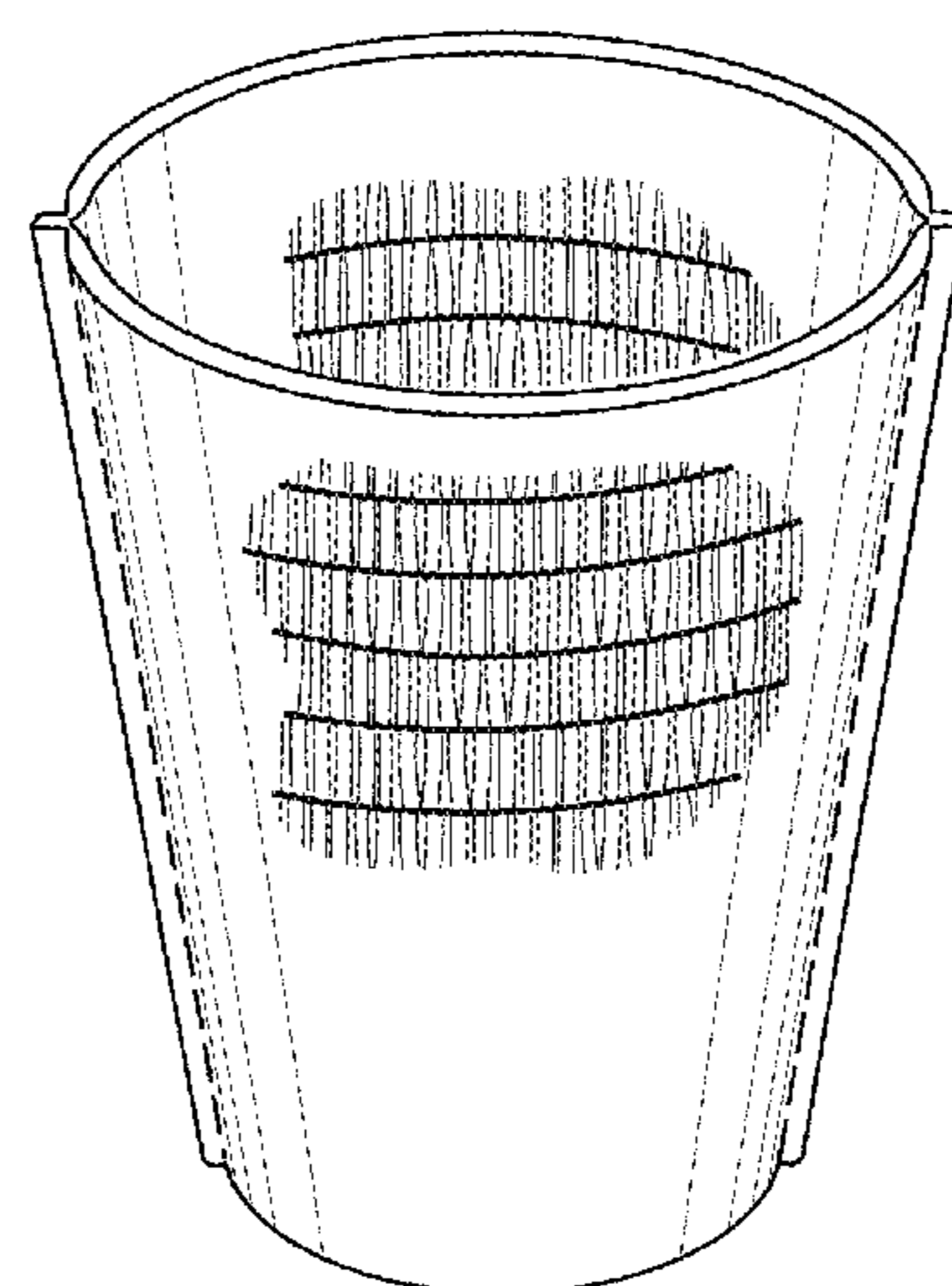
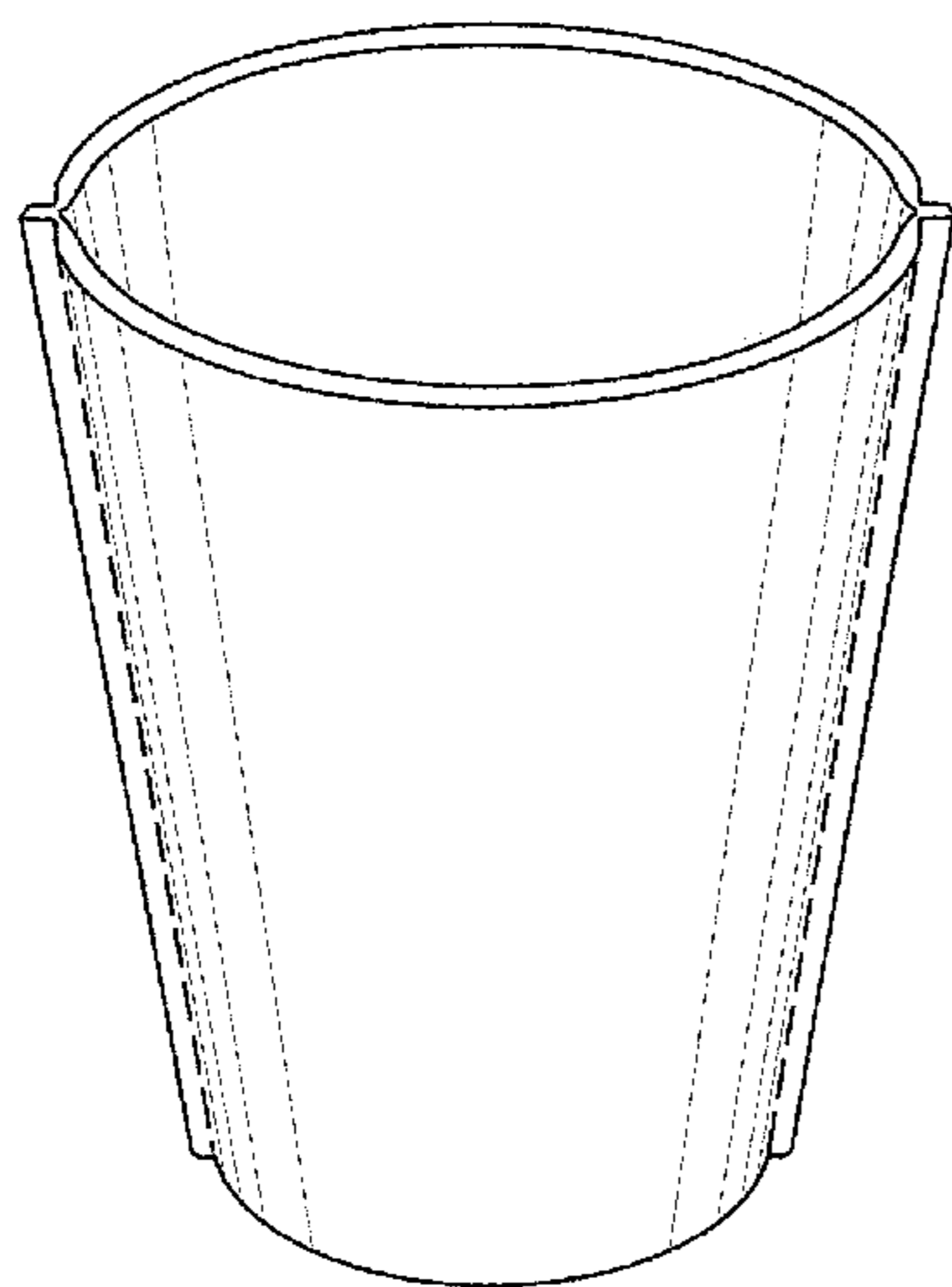
FIG. 15 is a right side elevational view thereof.

FIG. 16 is a left side elevational view thereof; and,

FIG. 17 is a rear side elevation view thereof.

The broken line showings of seams form no part of the
claimed design. The dash-dot line in FIG. 9 indicates a
boundary that forms no part of the claimed design.

1 Claim, 7 Drawing Sheets



(58) **Field of Classification Search**

USPC D2/983-988, 994; D29/113, 118, 120.1,
D29/121.1, 121.2, 123
CPC ... A61B 17/135; A61B 17/1355; A61B 5/022;
A61B 5/02233

See application file for complete search history.

(56) **References Cited**

U.S. PATENT DOCUMENTS

D460,824 S *	7/2002	Ames	D24/190
D660,438 S *	5/2012	Kennedy	D24/190
D660,520 S *	5/2012	Glenn	D29/120.1
D701,001 S *	3/2014	Daniel	D29/120.1
D707,361 S *	6/2014	Banks	D24/190
9,039,730 B1 *	5/2015	McEwen	A61B 17/135 600/490
D734,563 S *	7/2015	Daniel	D29/120.1
D767,772 S *	9/2016	Jiminez	D24/190
D767,773 S *	9/2016	Jiminez	D24/190
D785,190 S *	4/2017	Bell	D24/190
2016/0008006 A1 *	1/2016	McEwen	A61B 17/1355 606/202

OTHER PUBLICATIONS

Far Infrared Health Inc. Compression Calf Sleeves for Varicose Veins | Bio-Ceramic Neoprene Support. 2018 <URL:https://farinfraredhealth.com/products/bio-ceramic-calf-sleeves?variant=45070319311>. (Year: 2018).*

Delfi Medical Innovations Inc. Vari-Fit Contour Cuffs. 2018. <URL:http://www.delfimedical.com/vari-fit-contour-cuffs/>. (Year: 2018).*

* cited by examiner

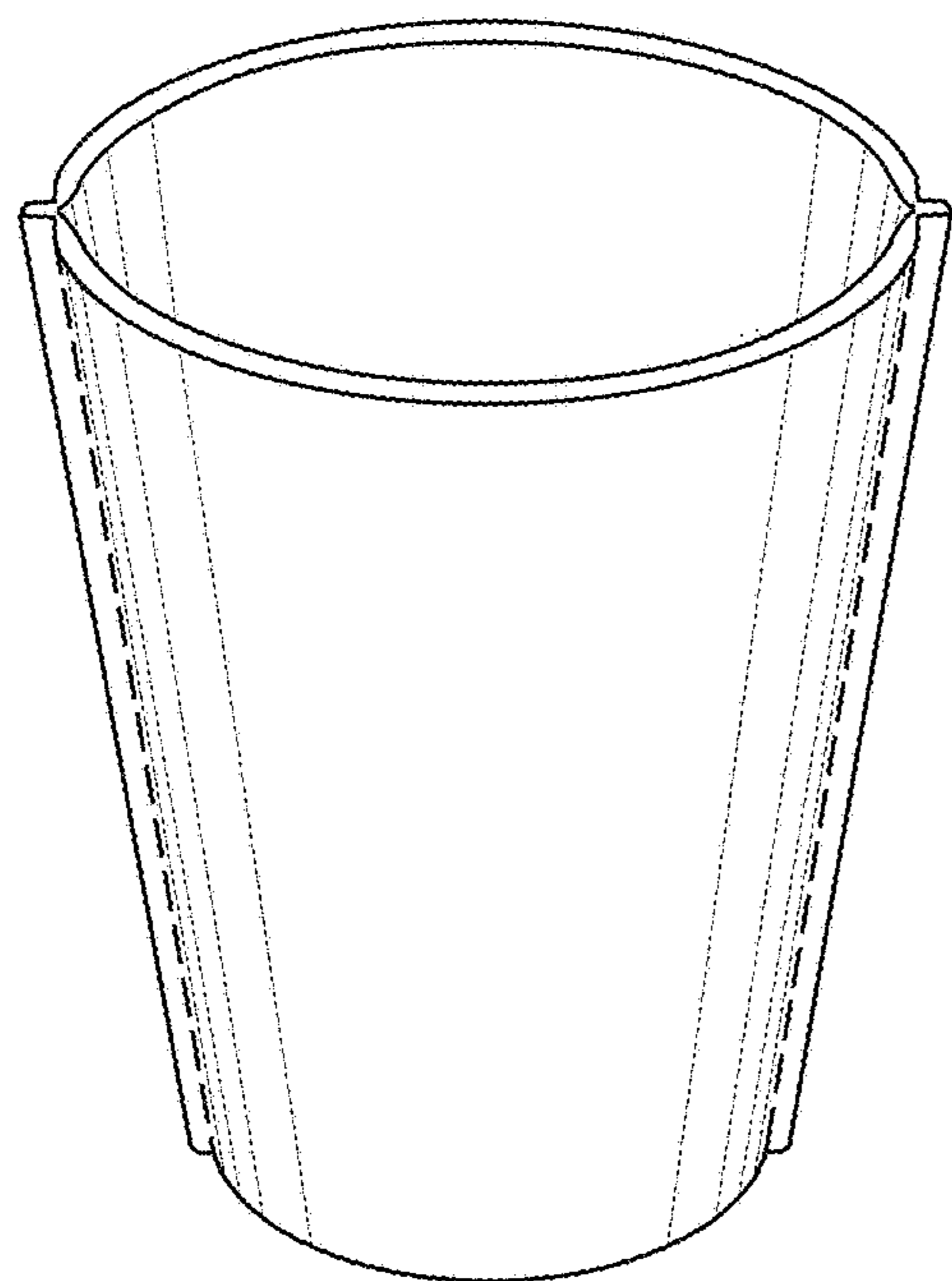


FIG. 1

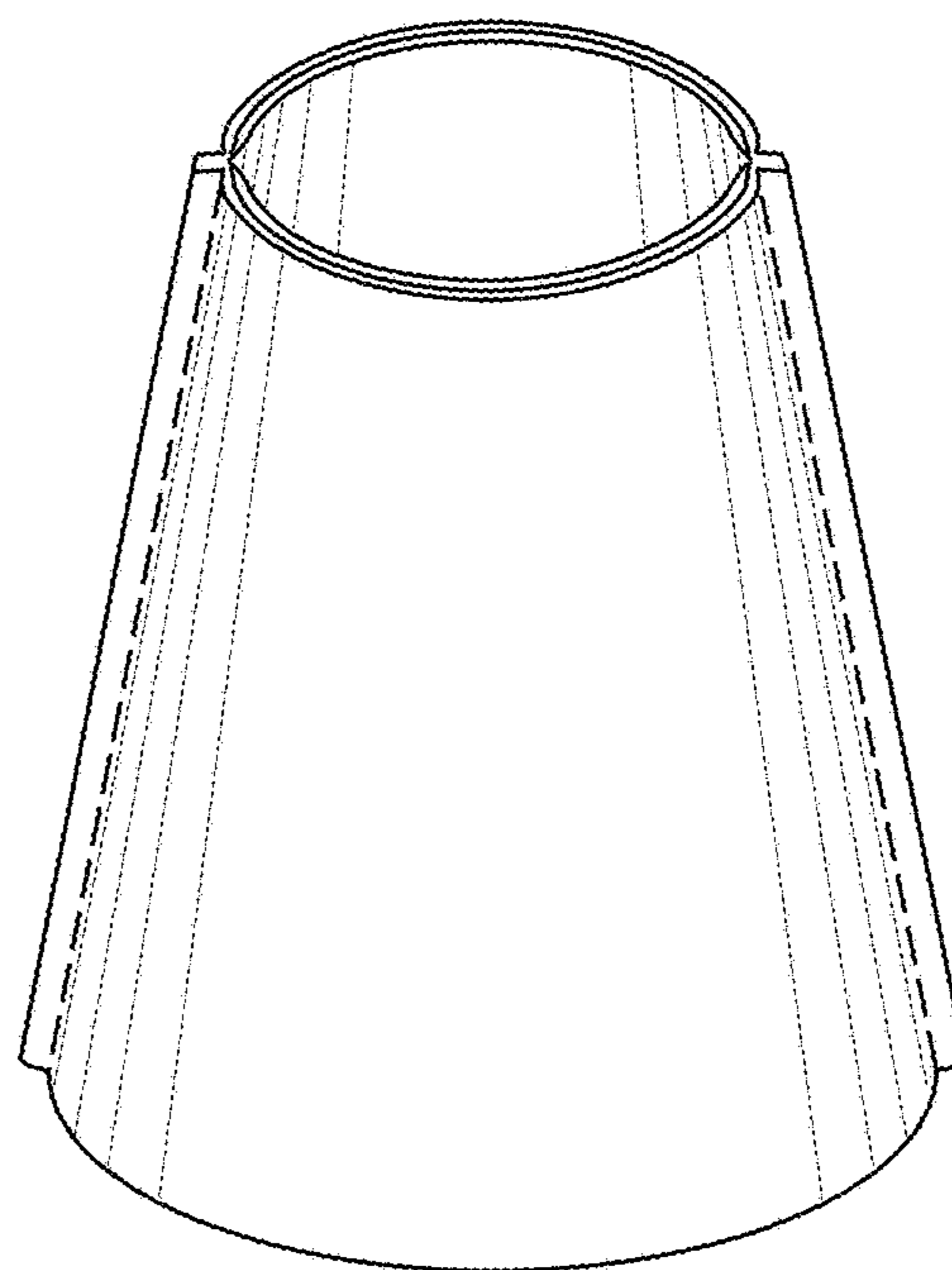


FIG. 2

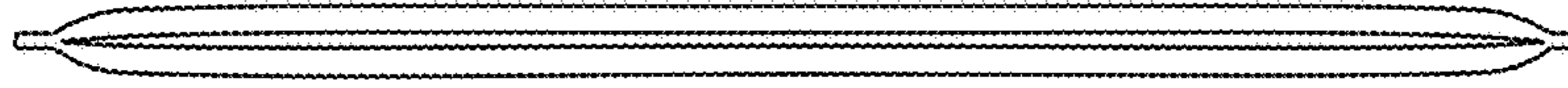


FIG. 4

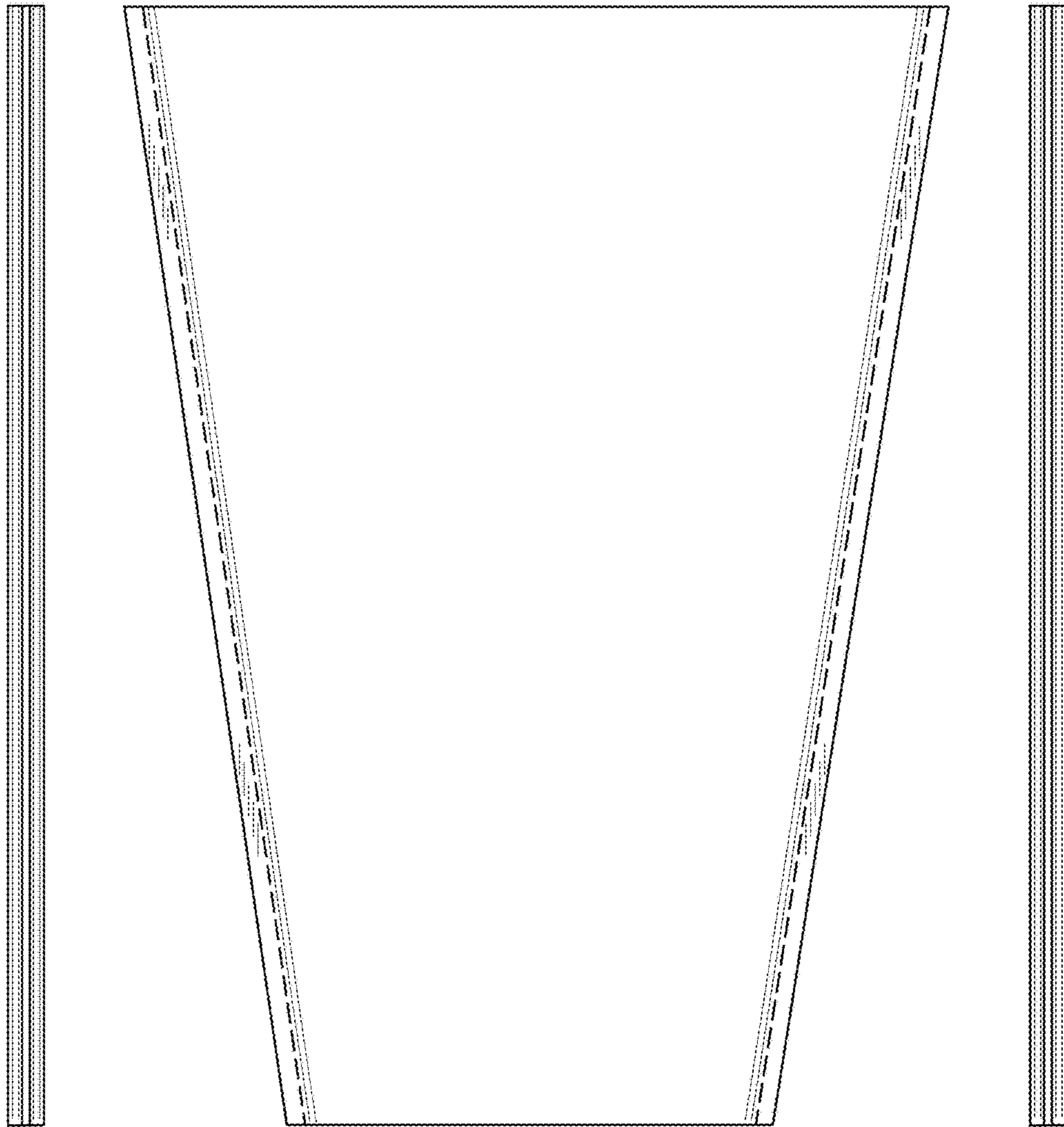


FIG. 7

FIG. 3

FIG. 6



FIG. 5

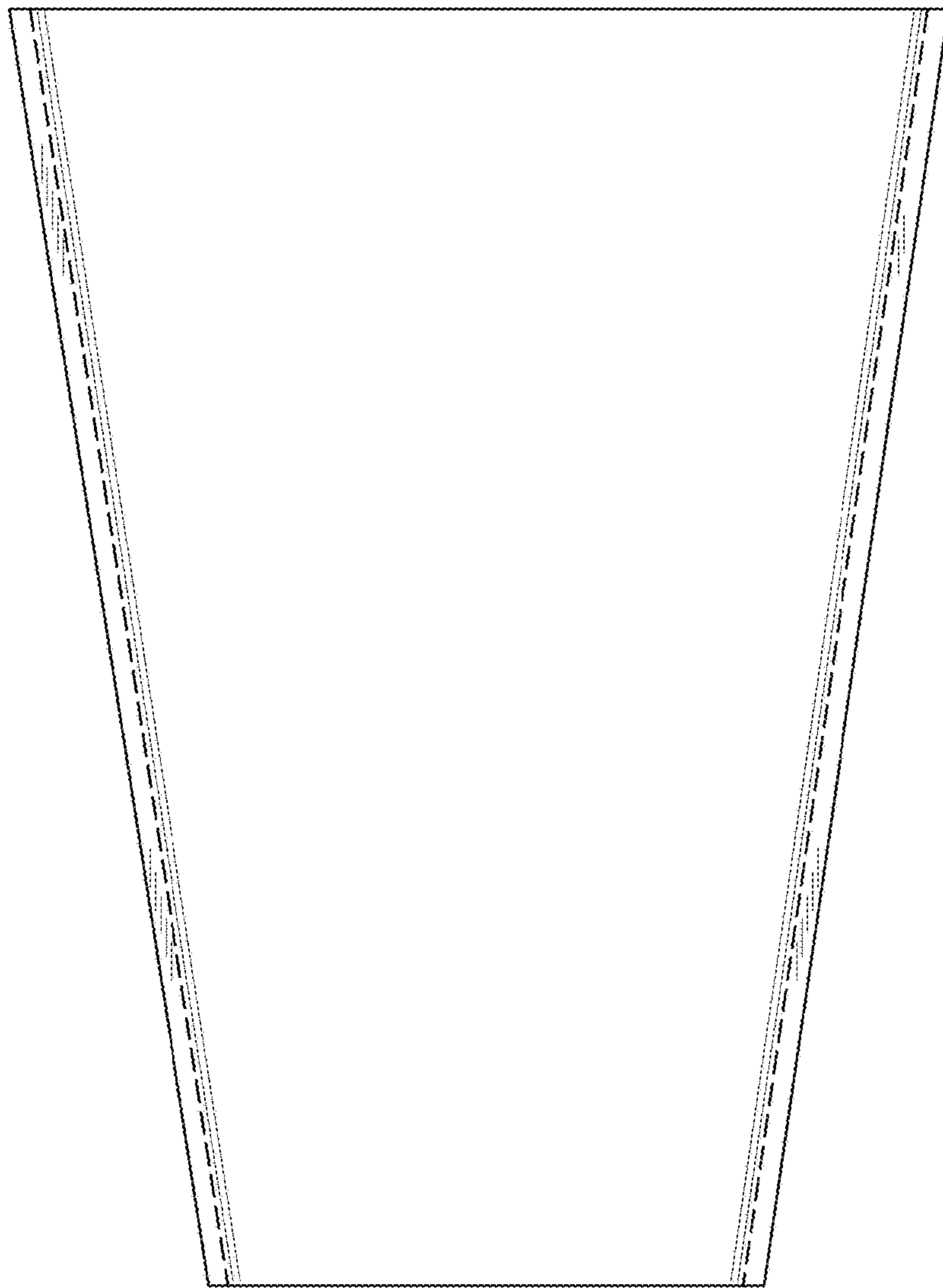


FIG. 8

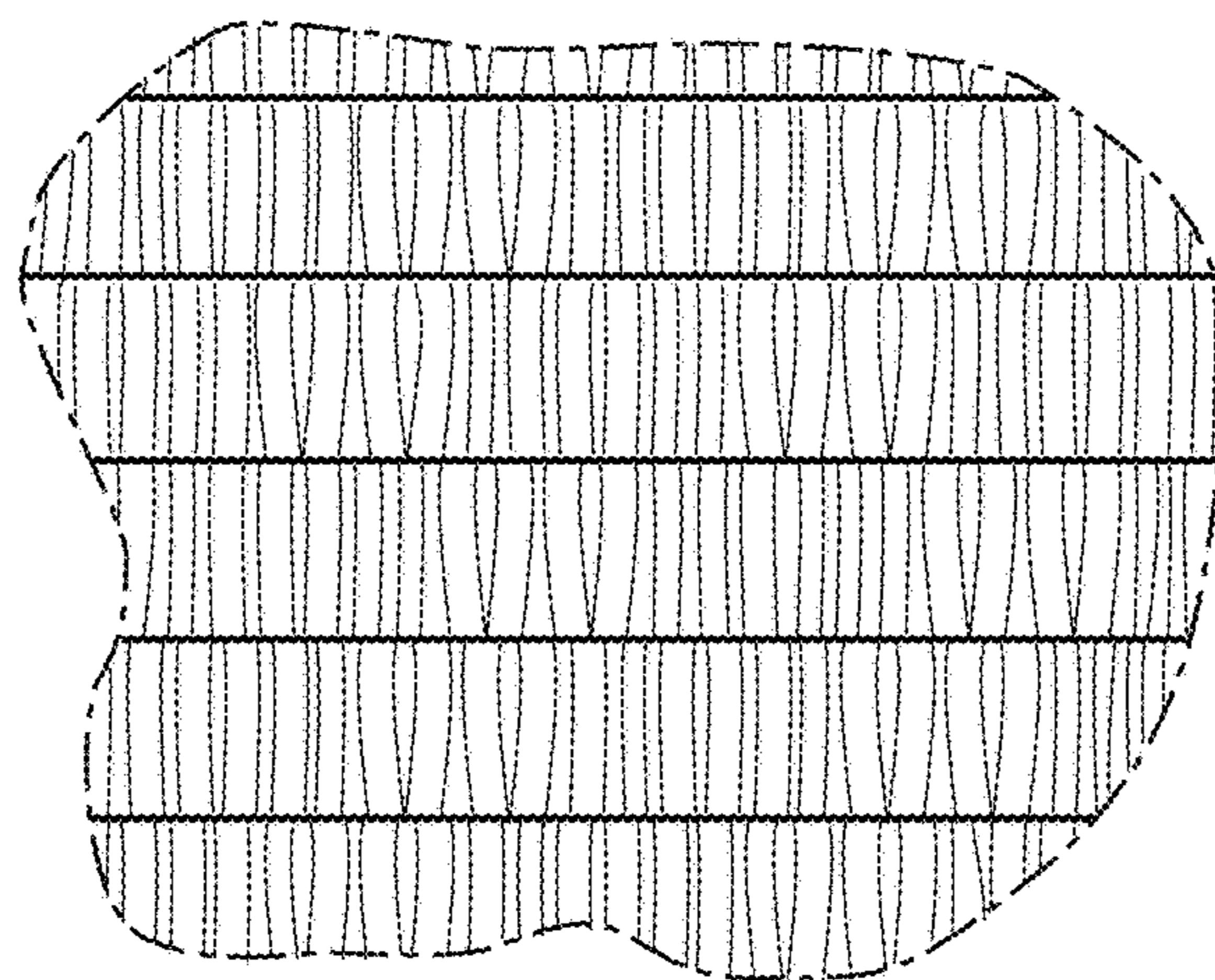


FIG. 9

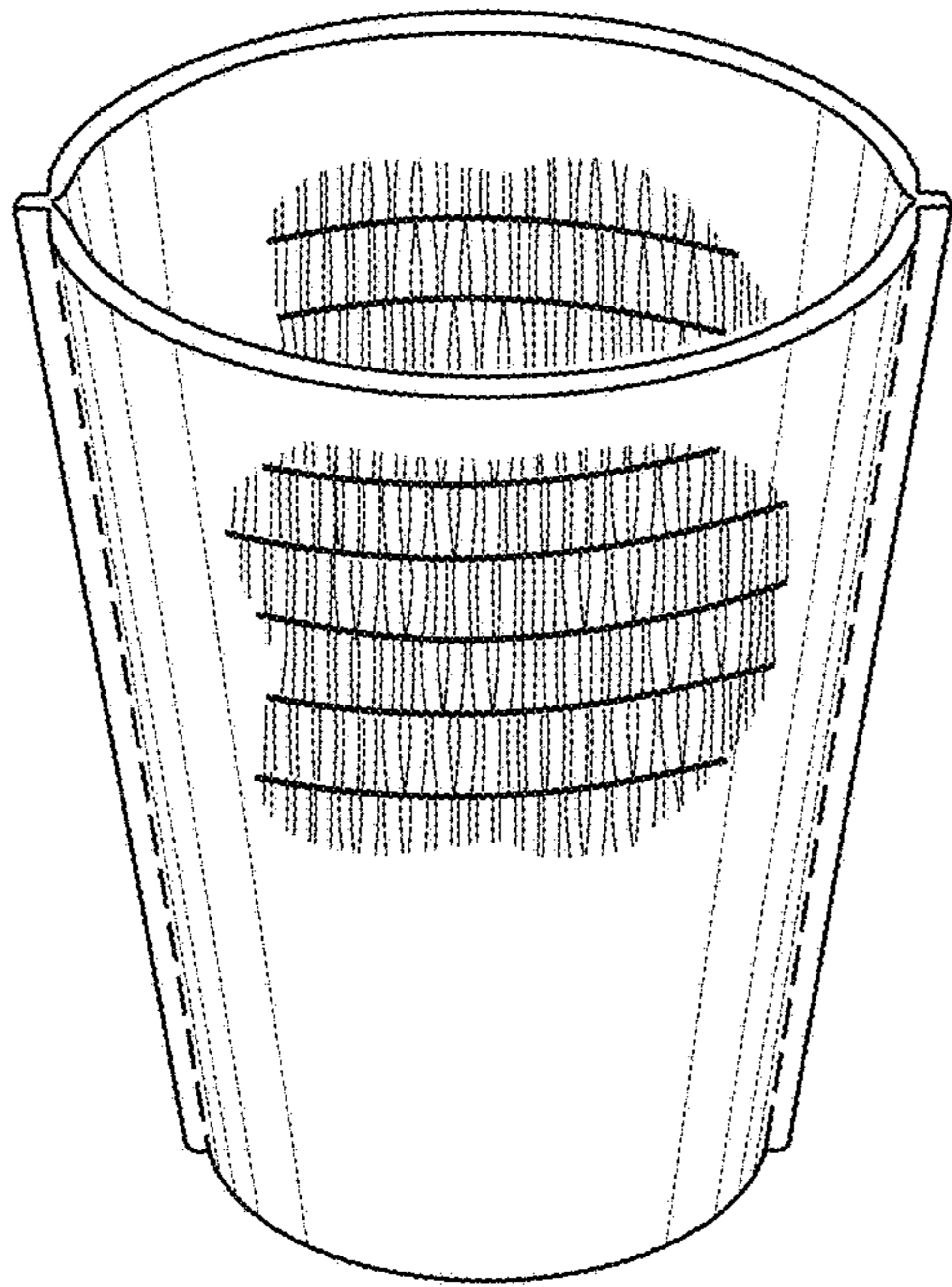


FIG. 10

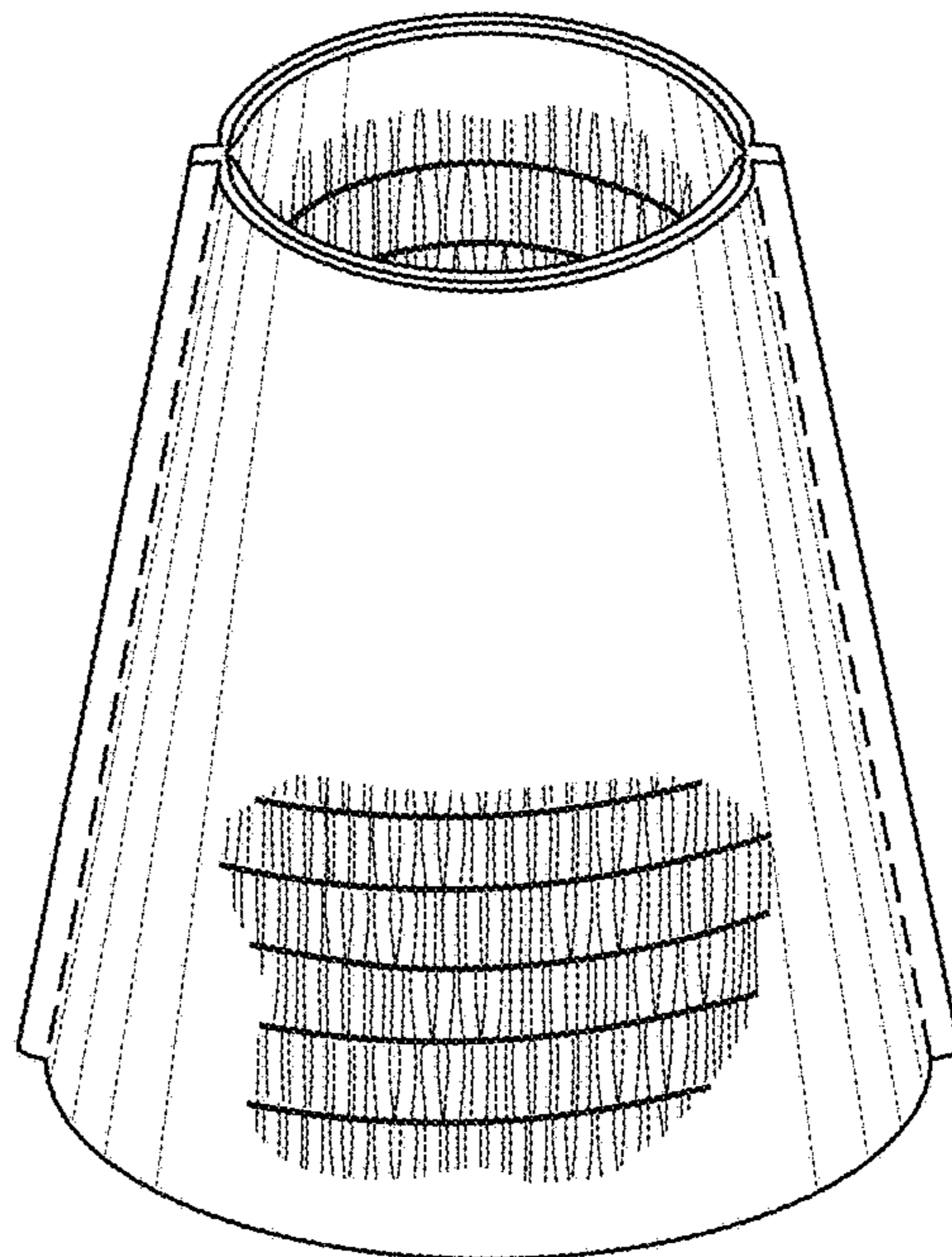


FIG. 11

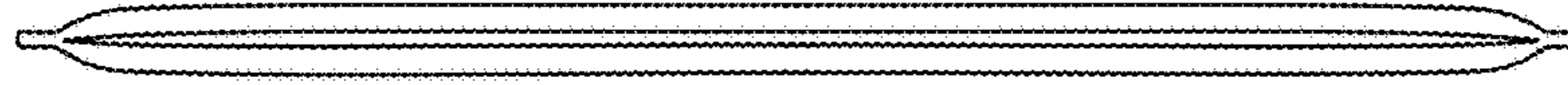


FIG. 13

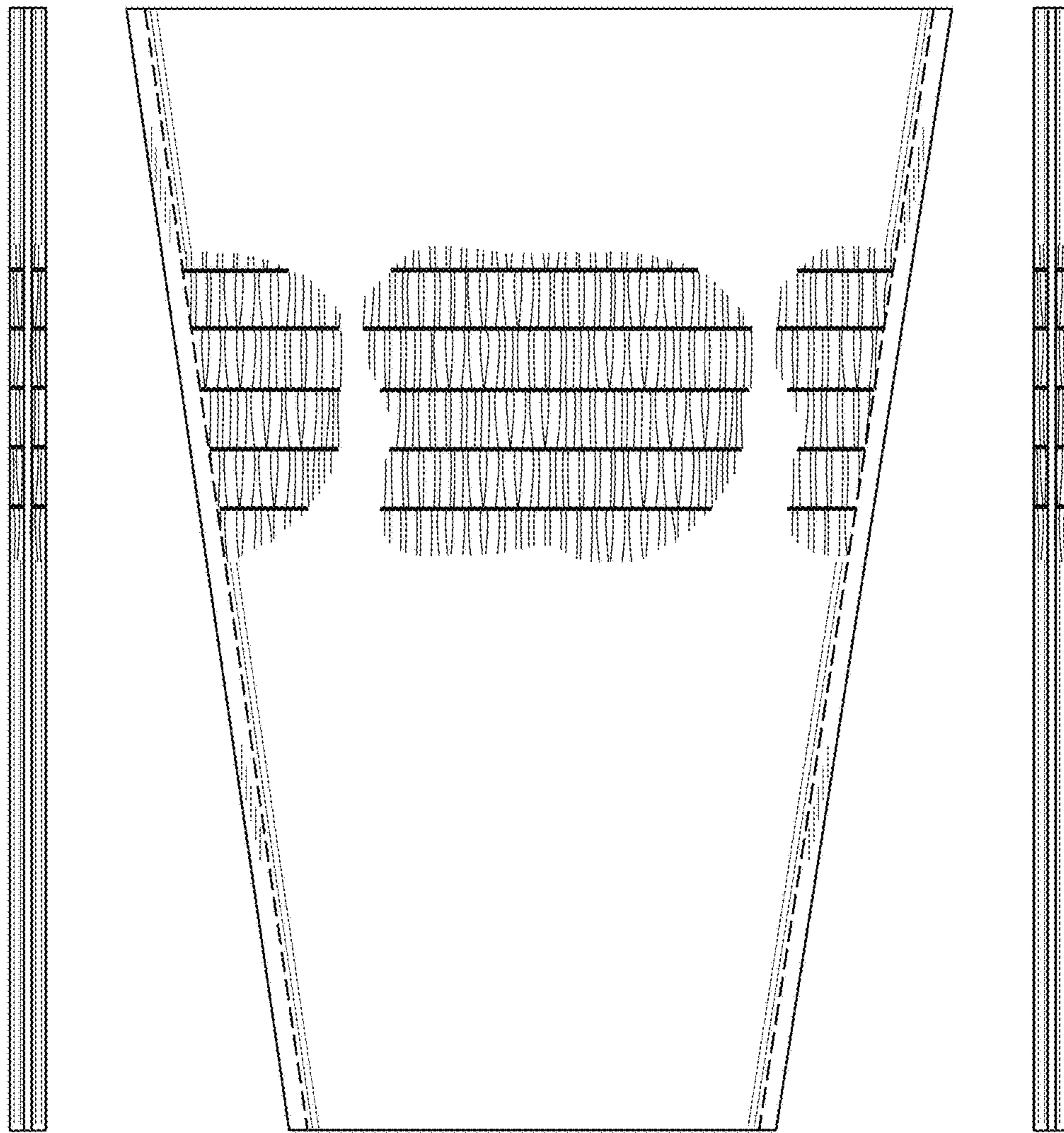


FIG. 16

FIG. 12

FIG. 15



FIG. 14

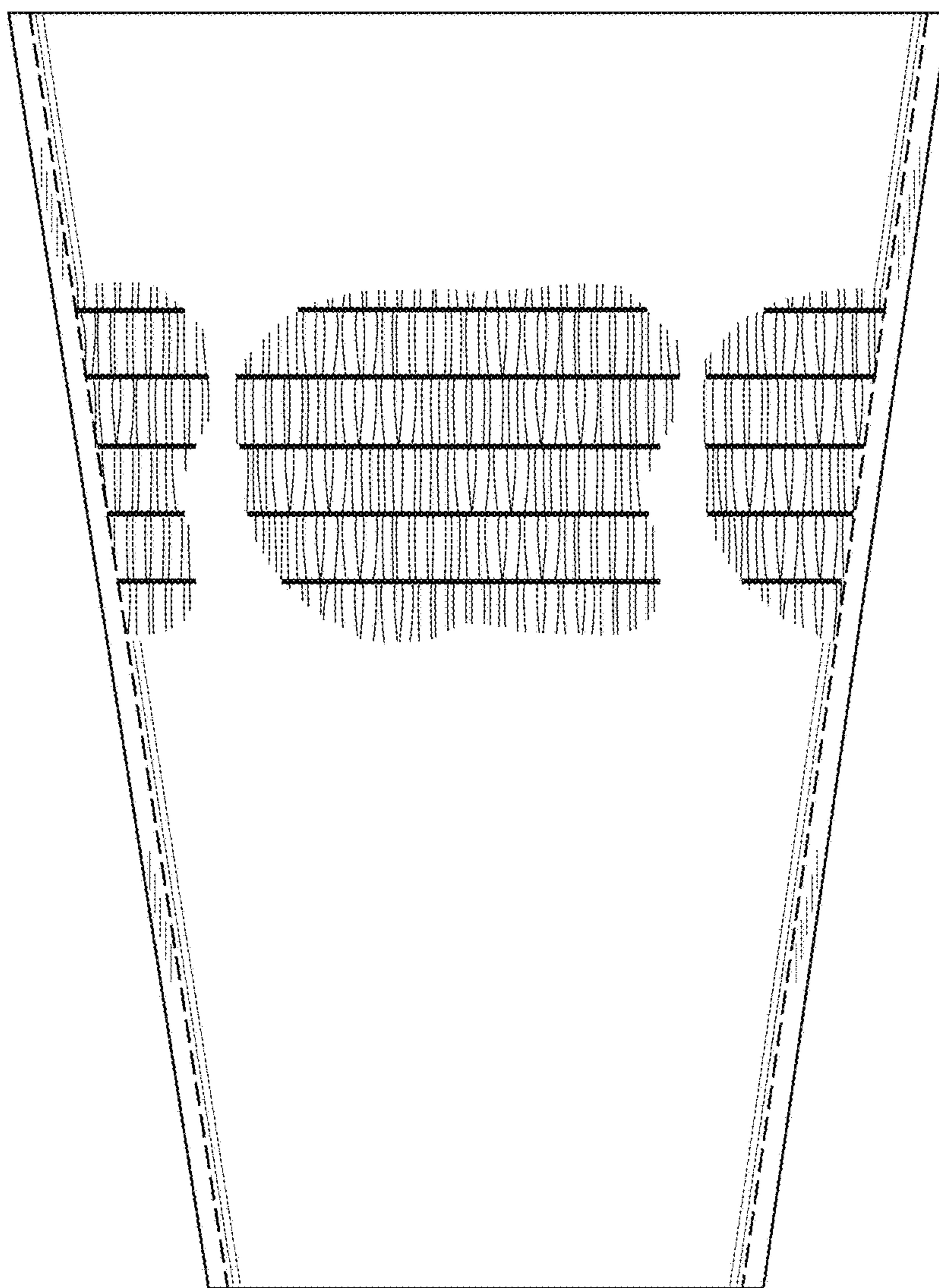


FIG. 17