



US00D850630S

(12) **United States Design Patent**
Amit

(10) **Patent No.:** **US D850,630 S**
(45) **Date of Patent:** **** Jun. 4, 2019**

(54) **BAND FOR APPLYING STRETCH TO THE SKIN OF THE FACE AND NECK**

D801,527 S * 10/2017 Nishiyama D24/166
D805,944 S * 12/2017 Kwon D11/4
D813,307 S * 3/2018 Lei A44C 5/0015
D19/75

(71) Applicant: **Noah Amit**, Haifa (IL)

(72) Inventor: **Noah Amit**, Haifa (IL)

(**) Term: **15 Years**

(21) Appl. No.: **29/615,651**

(22) Filed: **Aug. 30, 2017**

(51) **LOC (11) Cl.** **24-04**

(52) **U.S. Cl.**
USPC **D24/188**

(58) **Field of Classification Search**
USPC D24/166, 155, 183, 188–192, 199, 200,
D24/206, 212–214; D11/3, 4; D30/137,
D30/152; D2/625, 627, 634
CPC A61B 5/150114
See application file for complete search history.

(56) **References Cited**

U.S. PATENT DOCUMENTS

2,128,644 A * 8/1938 Gittler A44C 9/0015
63/15
D369,866 S * 5/1996 Baughn D24/206
D548,845 S * 8/2007 Pfeiffer D24/190
D687,736 S * 8/2013 Wycoff D11/3
D688,968 S * 9/2013 Guerrero, II D11/3
D721,609 S * 1/2015 Duddy D11/3
D722,902 S * 2/2015 Mihalyo D11/3
D741,211 S * 10/2015 Kahn D11/3
D765,534 S * 9/2016 Schone D11/3
D800,312 S * 10/2017 Nishiyama D24/166

OTHER PUBLICATIONS

Amazon. Exclusive US Heng Song V Line Facial Mask Chin Neck Belt Sheet Anti Aging Face Lift Up. 2018. <URL:https://amzn.to/2xNdxls>. (Year: 2018).*

* cited by examiner

Primary Examiner — George D. Kirschbaum
Assistant Examiner — Darcey E Gottschalk
(74) *Attorney, Agent, or Firm* — Michael J. Feigin, Esq.;
Feigin and Fridman LLC

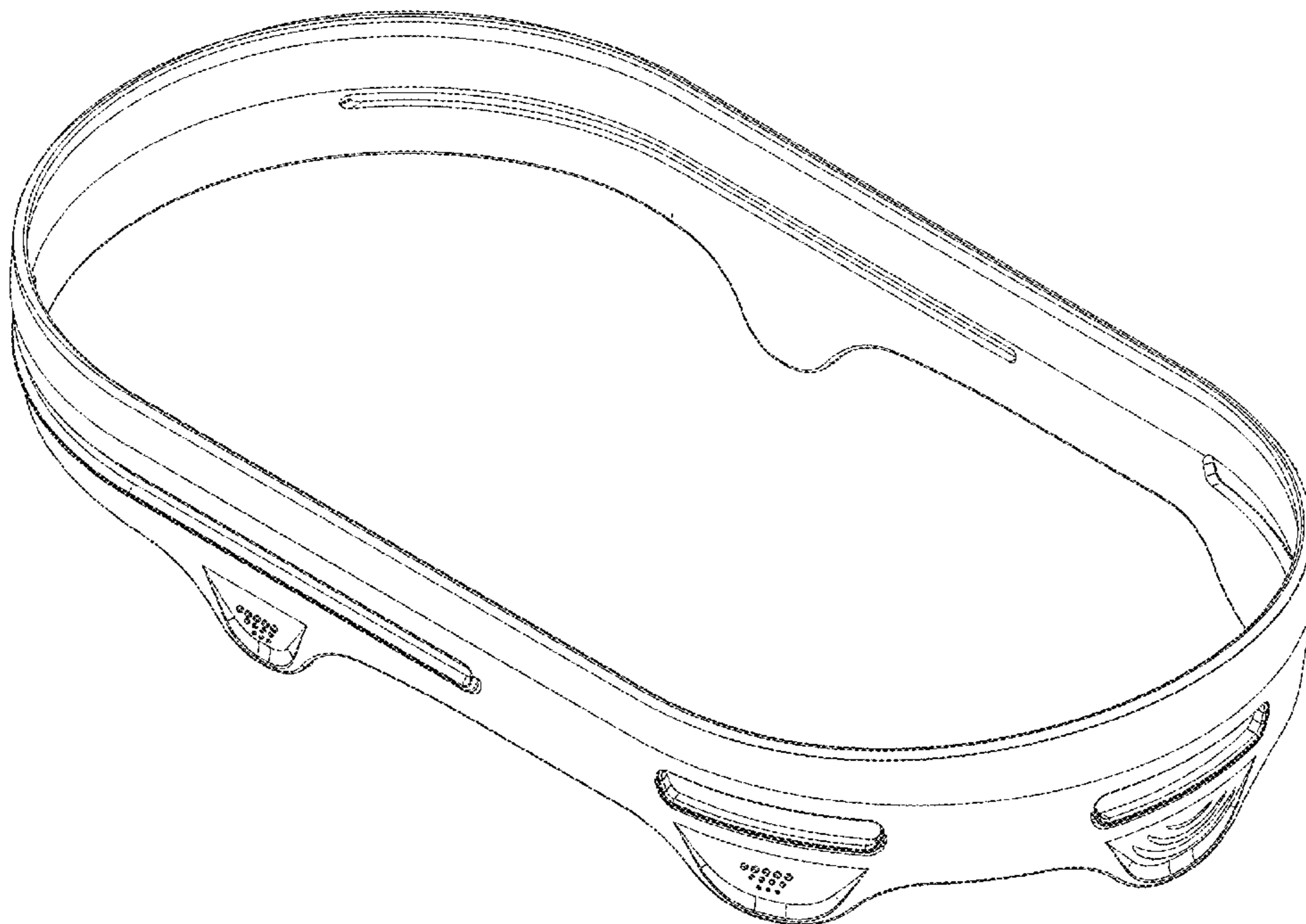
(57) **CLAIM**

The ornamental design for a band for applying stretch to the skin of the face and neck, substantially as shown and described.

DESCRIPTION

FIG. 1 A band for applying stretch to the skin of the face and neck as viewed from front side
FIG. 2 The band as viewed from back side
FIG. 3 The band as viewed from the side
FIG. 4 The band as viewed from above
FIG. 5 The band as viewed from below; and,
FIG. 6 A perspective view of the band from above.

1 Claim, 6 Drawing Sheets



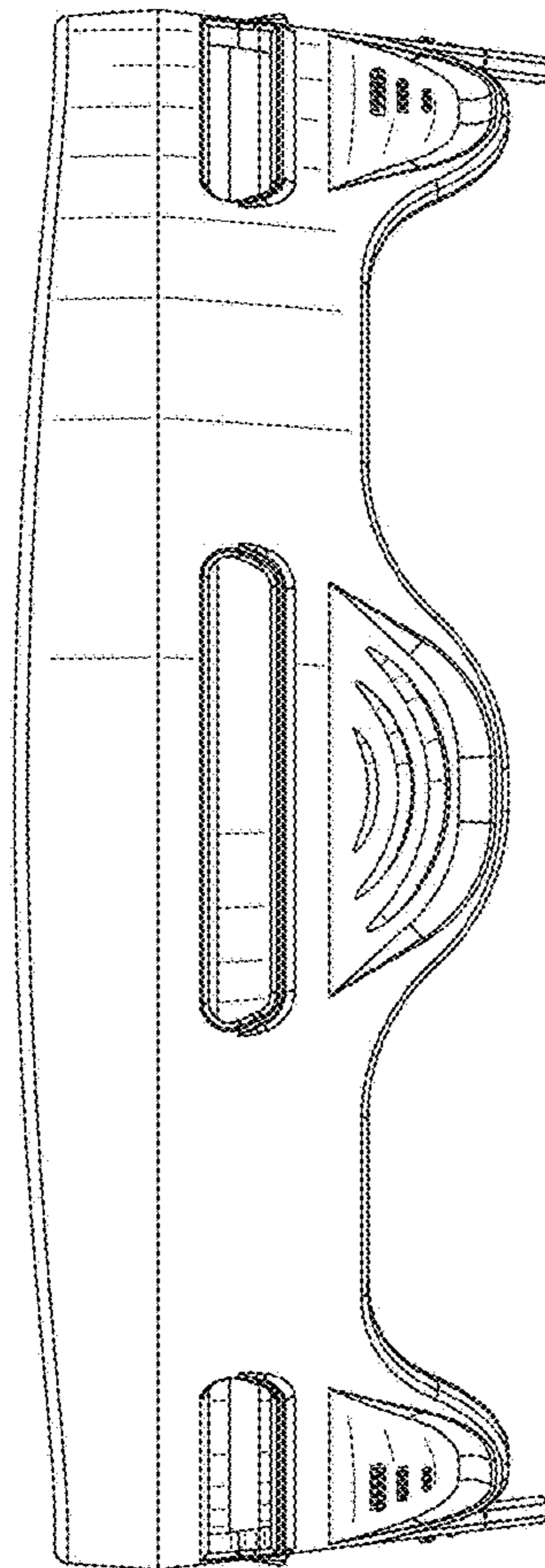


FIG. 1

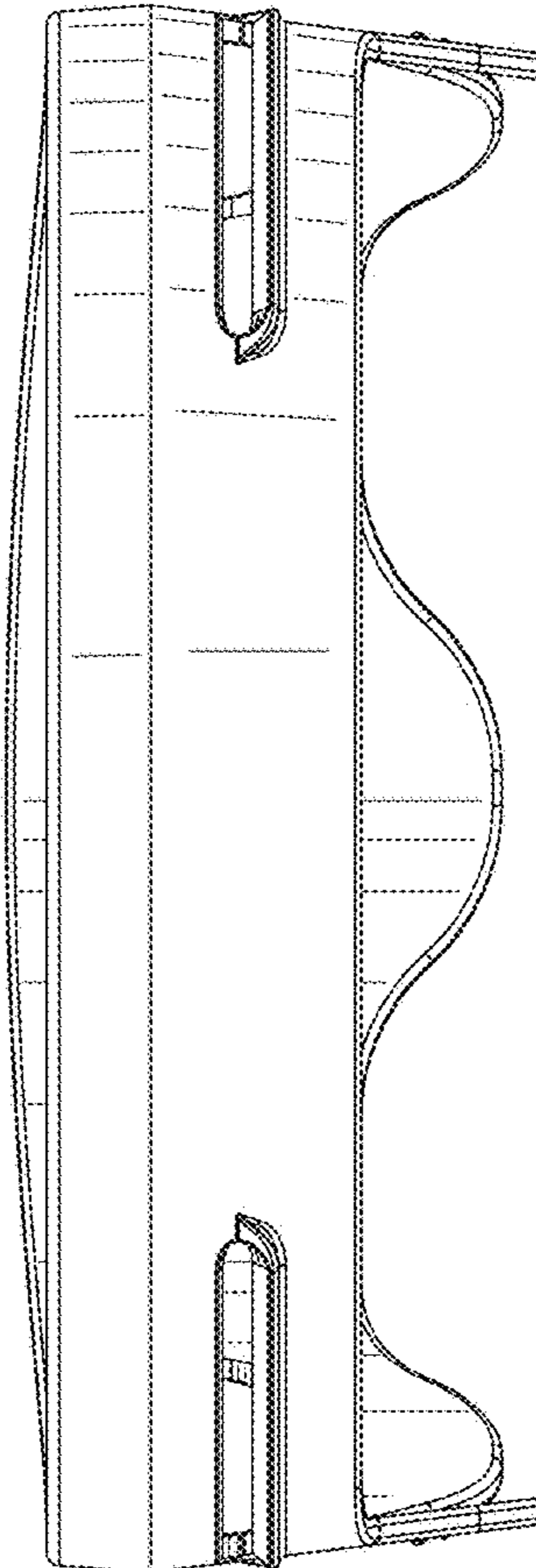


FIG. 2

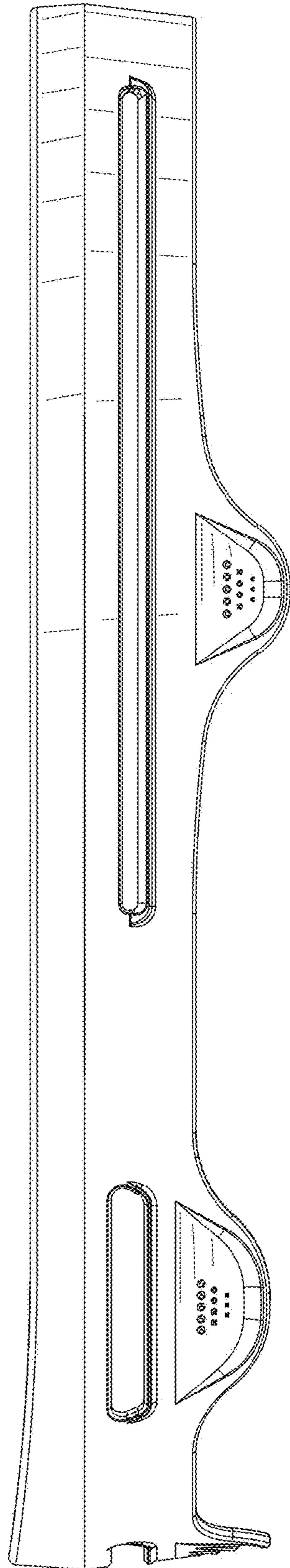


FIG. 3

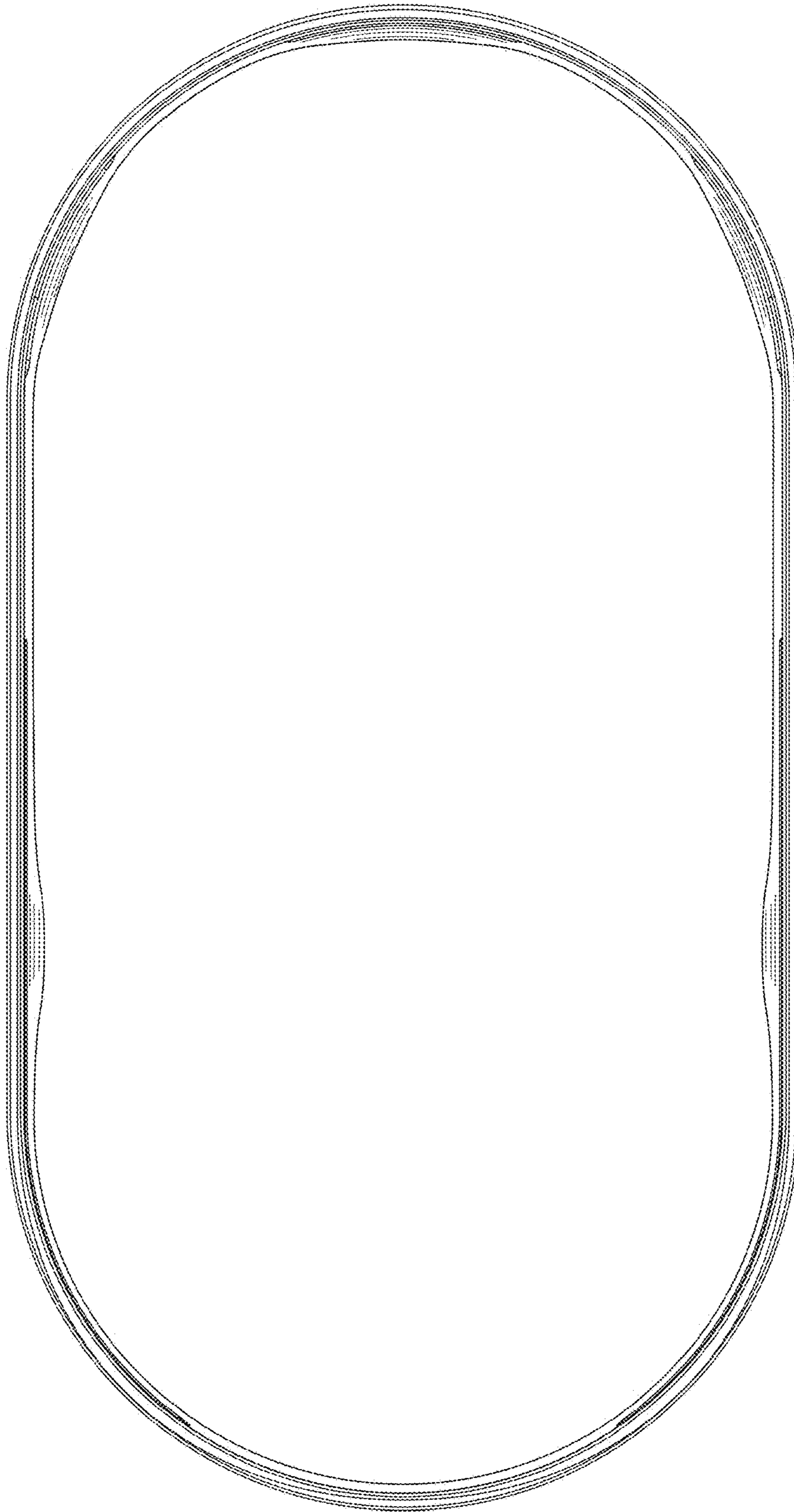


FIG. 4

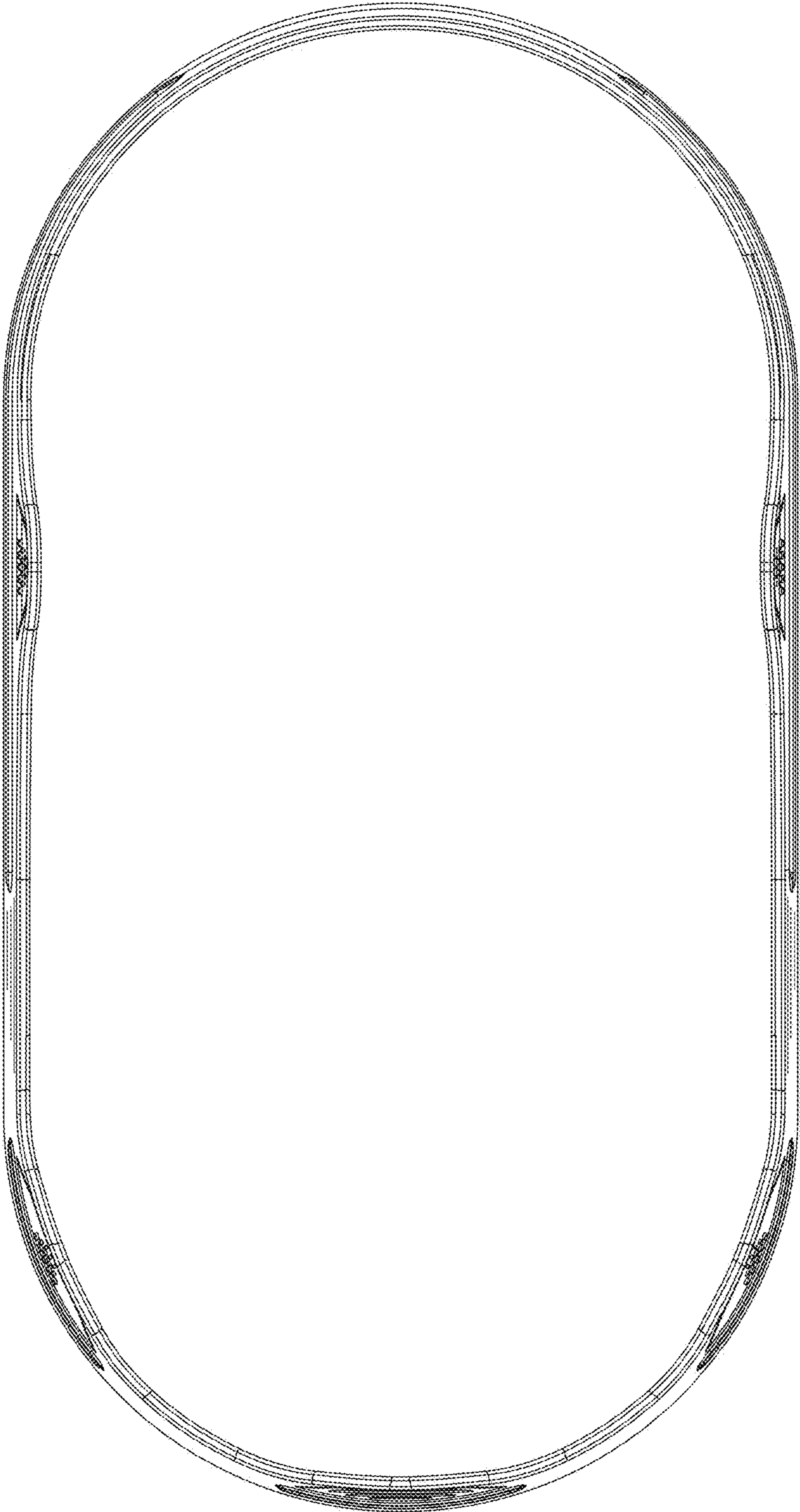


FIG. 5

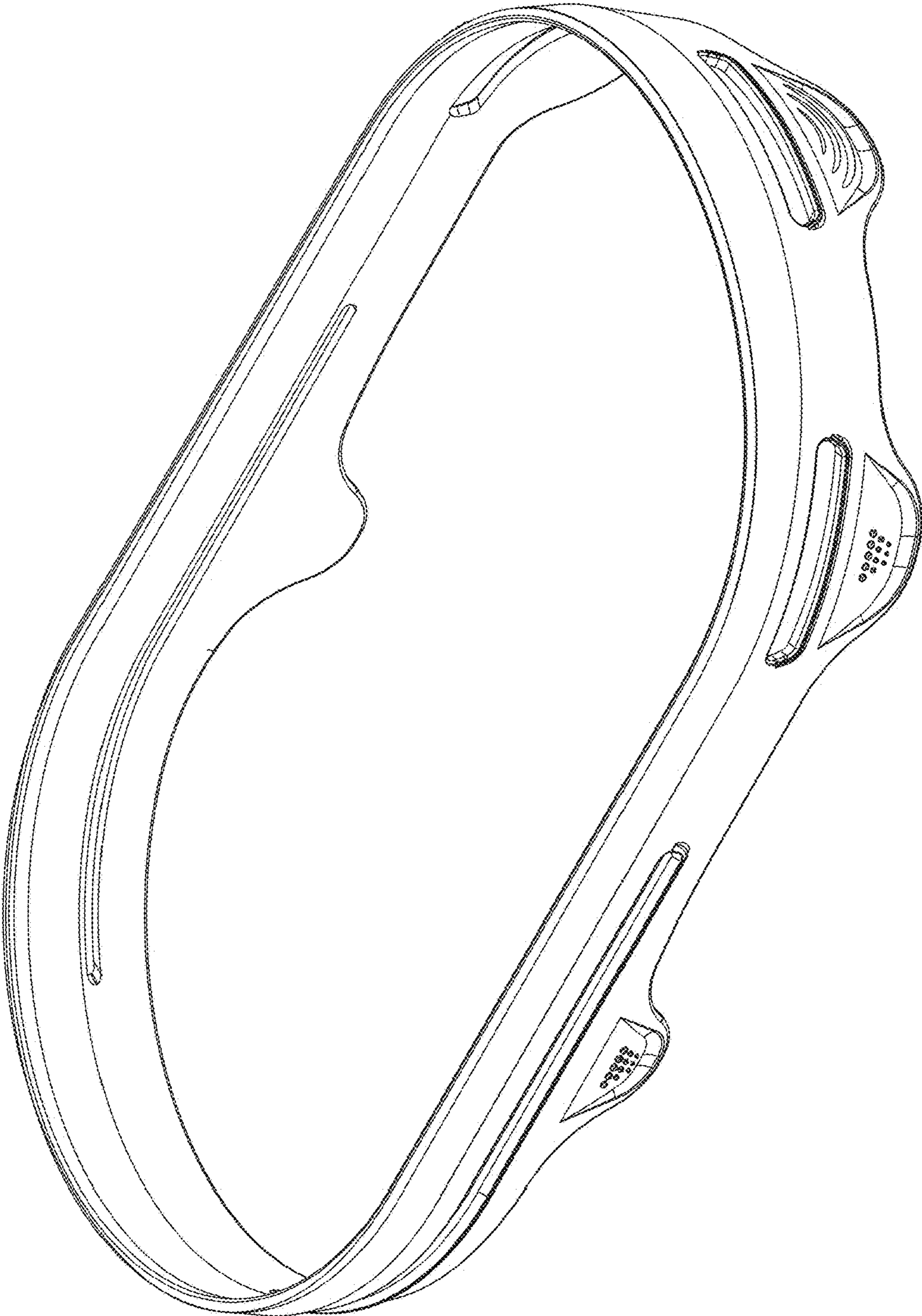


FIG. 6