



US00D850625S

(12) **United States Design Patent**
Schmid

(10) **Patent No.:** **US D850,625 S**
(45) **Date of Patent:** **** Jun. 4, 2019**

(54) **MEDICAL DEVICE FOR
EXTRA-CORPOREAL HEART AND/OR
LUNG SUPPORT**

Primary Examiner — Ian Simmons
Assistant Examiner — Samantha Q. Lawrence
(74) *Attorney, Agent, or Firm* — Kevin T. Godlewski

(71) Applicant: **MAQUET Cardiopulmonary AG,**
Hirrlingen (DE)

(57) **CLAIM**

The ornamental design for a medical device for extra-corporeal heart and/or lung support, as shown and described.

(72) Inventor: **Jurgen Reiner Schmid,** Ammerbuch
(DE)

DESCRIPTION

(73) Assignee: **MAQUET CARDIOPULMONARY
GmbH,** Rastatt (DE)

FIG. 1 is a front view of a medical device for extra-corporeal heart and/or lung support comprising a new, original and ornamental design;

(**) Term: **14 Years**

FIG. 2 is a rear view of the medical device for extra-corporeal heart and/or lung support comprising the new, original and ornamental design;

(21) Appl. No.: **29/519,952**

FIG. 3 is a left-hand side view of the medical device for extra-corporeal heart and/or lung support comprising the new, original and ornamental design;

(22) Filed: **Mar. 9, 2015**

Related U.S. Application Data

FIG. 4 is a right-hand side view of the medical device for extra-corporeal heart and/or lung support comprising the new, original and ornamental design;

(60) Continuation of application No. 29/419,704, filed on
May 1, 2012, now Pat. No. Des. 724,231, which is a
(Continued)

FIG. 5 is a top view of the medical device for extra-corporeal heart and/or lung support comprising the new, original and ornamental design;

(51) **LOC (11) Cl.** **24-02**

(52) **U.S. Cl.**
USPC **D24/186**

FIG. 6 is a bottom view of the medical device for extra-corporeal heart and/or lung support comprising the new, original and ornamental design;

(58) **Field of Classification Search**
USPC D24/186, 167, 169, 164, 107;
128/202.16, 204.16, 204.18; 210/85, 90,
(Continued)

FIG. 7 is a top, front, right-hand side perspective view of the medical device for extra-corporeal heart and/or lung support comprising the new, original and ornamental design;

(56) **References Cited**

U.S. PATENT DOCUMENTS

2,659,368 A 11/1953 Gibbon, Jr. et al.
3,509,899 A * 5/1970 Hewson A61M 16/00
128/202.16

FIG. 8 is a front view of a medical device for extra-corporeal heart and/or lung support, with a protection bail shown in an extended position, comprising a new, original and ornamental design;

(Continued)

FIG. 9 is a top, front, right-hand side perspective view of the medical device for extra-corporeal heart and/or lung support, with the protection bail shown in an extended position, comprising the new, original and ornamental design;

OTHER PUBLICATIONS

“Die Erste Volle Integration Des Arteriellen Filters Die Neue
Quadrox-i Generation”, Maquet Cardiopulmonary AG, dated 2007.

FIG. 10 is a top, rear, right-hand side perspective view of the medical device for extra-corporeal heart and/or lung support, with the protection bail shown in an extended position, comprising the new, original and ornamental design; and,

(Continued)

(Continued)

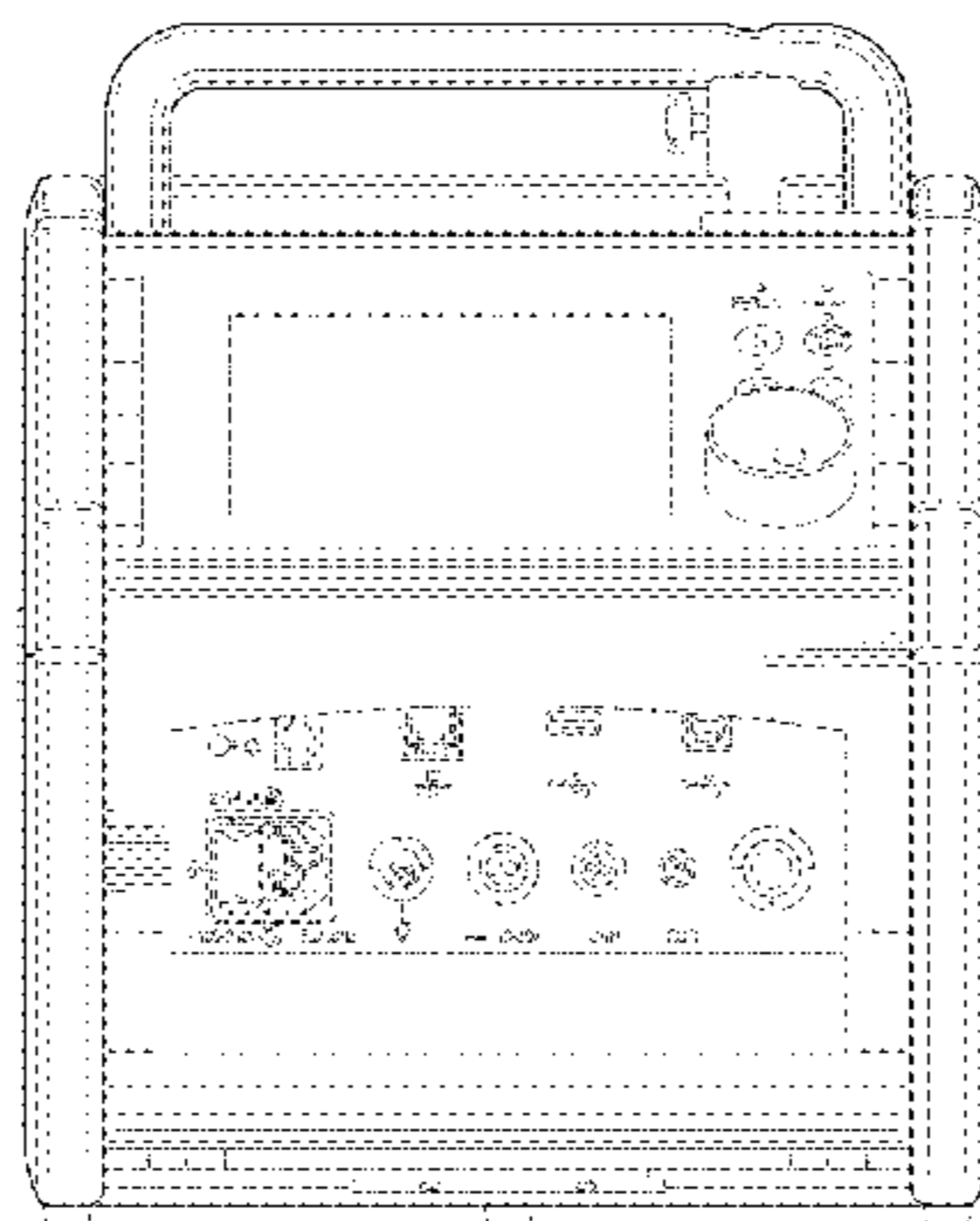


FIG. 11 is a top, rear, left-hand side perspective view of a medical device for extra-corporeal heart and/or lung support, with the protection bail shown in an extended position, comprising a new, original and ornamental design, the portions shown in broken lines forming no part of the design.

1 Claim, 10 Drawing Sheets

Related U.S. Application Data

division of application No. 29/350,147, filed on Nov. 12, 2009, now Pat. No. Des. 669,185.

(58) **Field of Classification Search**

USPC 210/103–104, 108, 195.1, 195.2, 210/645–647; 417/298, 360, 374, 477.11; 422/44–46; 601/41, 106–17; 604/4.01, 604/5.04, 6.04, 6.09, 6.11, 113–114, 6.14; 73/19.03

CPC A61G 12/001; A61G 12/008; A61H 31/00; A61H 31/006; A61H 31/008; A61M 1/101; A61M 1/1006; A61M 1/1039; A61M 1/16; A61M 1/1601; A61M 1/1625; A61M 1/1629; A61M 1/1698; A61M 1/32; A61M 1/34; A61M 1/342; A61M 1/3693–1/3696; A61M 1/3434; A61M 1/3437; A61M 1/3441; A61M 1/3444; A61M 1/3448; A61M 1/3458; A61M 1/36; A61M 1/3603; A61M 1/3621; A61M 1/3626; A61M 1/3627; A61M 1/3939; A61M 1/3647; A61M 1/369; A61M 1/3666; A61M 1/3692; A61M 16/00; F04B 43/06; F04B 43/0736; F04B 43/1253; F04B 43/1276

See application file for complete search history.

(56) **References Cited**

U.S. PATENT DOCUMENTS

4,060,079	A *	11/1977	Reinhold, Jr.	A61H 31/008 128/204.18
4,398,872	A *	8/1983	Fleenor	F04B 43/1253 417/360
D279,705	S	7/1985	Wada	
D280,340	S	8/1985	Wada	
4,610,656	A	9/1986	Mortensen	
D309,011	S	7/1990	Arioka et al.	
5,308,320	A *	5/1994	Safar	A61M 1/3621 604/113
5,536,412	A *	7/1996	Ash	A61M 1/3458 210/195.1
D422,695	S	4/2000	van Engelen et al.	
6,428,747	B1	8/2002	Dueri et al.	
6,468,473	B1	10/2002	Lindsay	
D475,137	S	5/2003	Manke et al.	
6,723,283	B2	4/2004	Ghelli et al.	
D491,270	S	6/2004	Barker	

6,945,948	B2 *	9/2005	Bainbridge	A61M 1/3693 604/6.04
D512,151	S	11/2005	Ward et al.	
D536,794	S	2/2007	Knieriem et al.	
D536,795	S *	2/2007	Knieriem	D24/186
7,238,320	B2 *	7/2007	Ghelli	A61M 1/1698 422/45
D552,741	S	10/2007	Zhou et al.	
D554,263	S	10/2007	Al-Ali et al.	
D600,814	S *	9/2009	Lathrop	D24/186
D621,511	S *	8/2010	Lathrop	D24/167
7,820,102	B2 *	10/2010	Myrick	A61M 1/32 422/44
D635,681	S	4/2011	Edwards et al.	
8,133,195	B2 *	3/2012	Blicke	A61M 1/1698 210/646
8,206,594	B2 *	6/2012	Fortenberry	A61M 1/3441 210/103
D669,185	S *	10/2012	Schmid	D24/169
8,297,955	B2 *	10/2012	Fujii	F04B 43/1253 417/477.11
8,298,167	B2 *	10/2012	Peters	A61M 1/342 210/645
8,409,502	B2	4/2013	Mortensen et al.	
8,747,662	B2 *	6/2014	Delmage	A61M 1/34 210/108
8,870,549	B2 *	10/2014	Tracey	A61M 1/369 417/298
D724,231	S *	3/2015	Medart	D24/169
9,422,932	B2 *	8/2016	Petersen	F04B 43/1276
2005/0027231	A1 *	2/2005	Kirchhof	A61M 1/3621 604/4.01
2005/0177088	A1 *	8/2005	Knott	A61G 12/001 604/6.14
2013/0226064	A1 *	8/2013	Galavotti	A61M 1/1698 604/4.01
2013/0269416	A1 *	10/2013	Myrick	A61M 1/32 73/19.03
2014/0224713	A1 *	8/2014	Delmage	A61M 1/34 210/85
2014/0294671	A1 *	10/2014	Mulholland	A61M 1/3627 422/44
2015/0273126	A1 *	10/2015	Beiriger	A61M 1/1601 210/647

OTHER PUBLICATIONS

Product brochure, “Jostra Quadrox”, Maquet Cardiopulmonary AG, dated Dec. 2004, published at least in Germany.
 “Oxygenators Quadrox Small Adult”, Maquet Cardiopulmonary AG, 2007.
 “What Makes Us Different Innovations by Maquet”, Maquet Cardiopulmonary AG, Sep. 2007.
 “The New Quadrox i-Generation Where Integration Meets Innovation”, Maquet Cardiopulmonary AG, Aug. 2006.
 “Jostra Quadrox PLS and Rotaflo RF 32 Permanent Life Support System”, Maquet Cardiopulmonary AG, dated 2006.
 Non-Final Office Action issued in U.S. Appl. No. 29/350,147, dated Dec. 19, 2011.
 Non-Final Office Action issued in U.S. Appl. No. 29/419,704, dated May 7, 2013.
 Final Office Action issued in U.S. Appl. No. 29/419,704, dated Mar. 13, 2014.

* cited by examiner

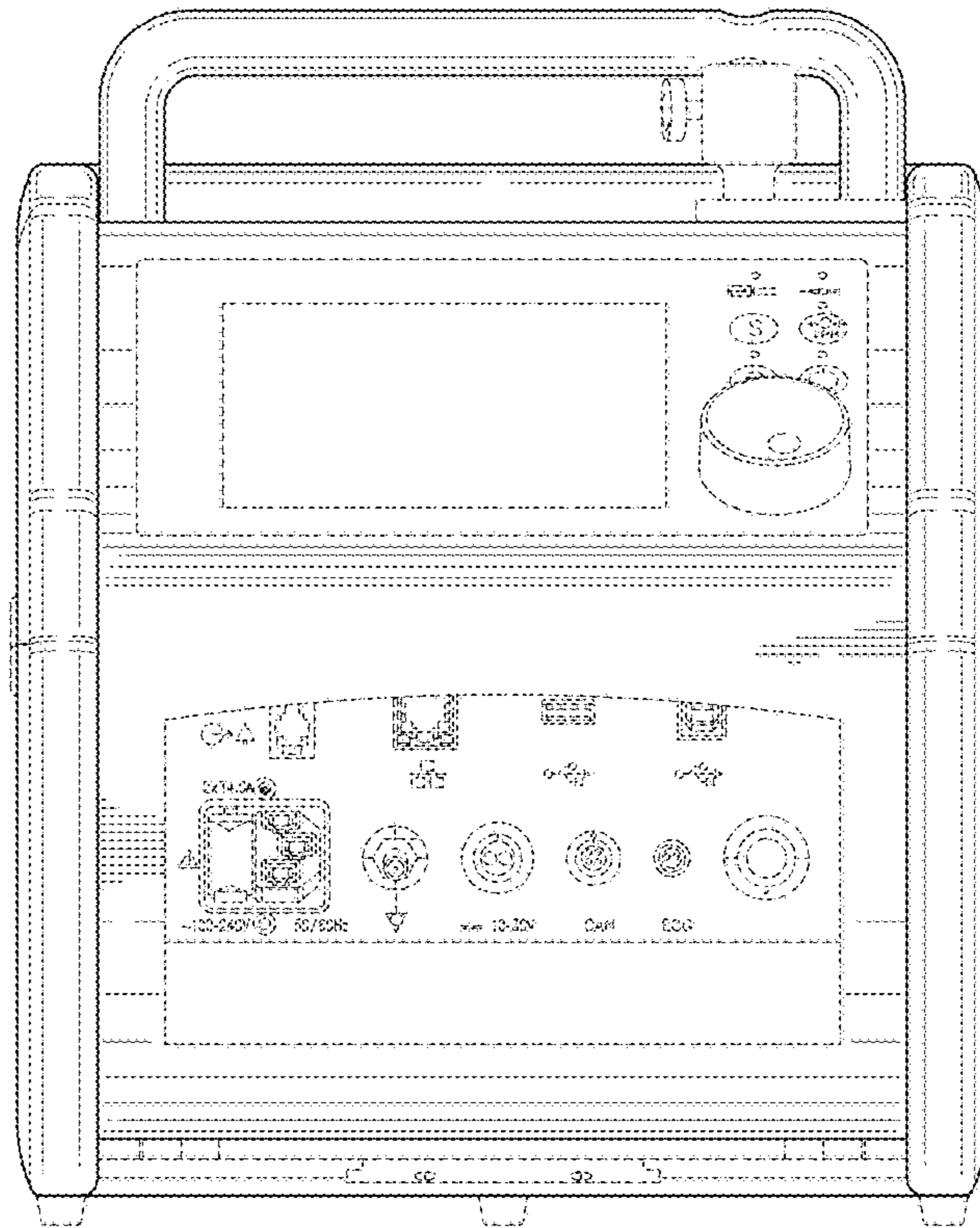


FIG. 1

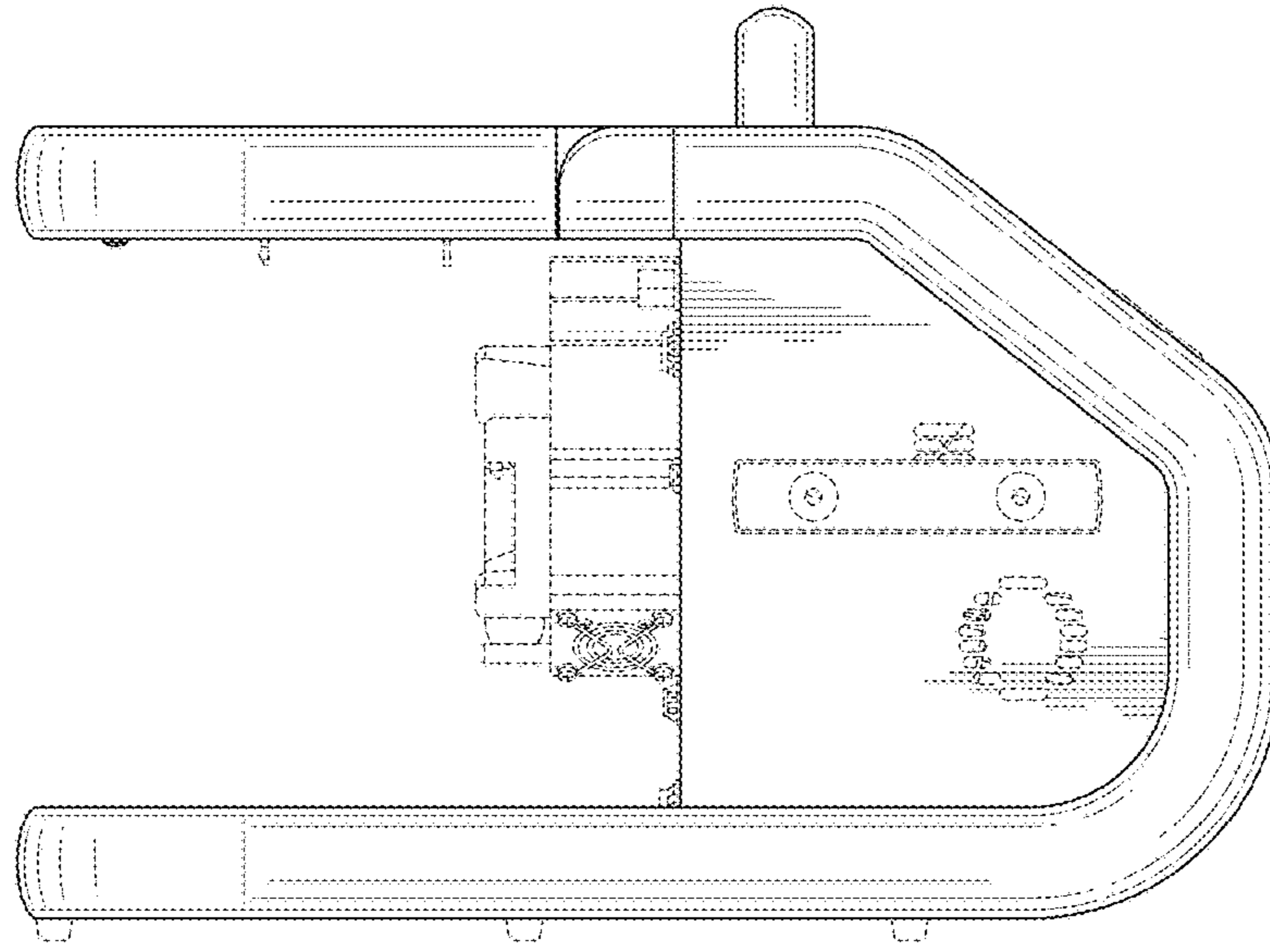


FIG. 3

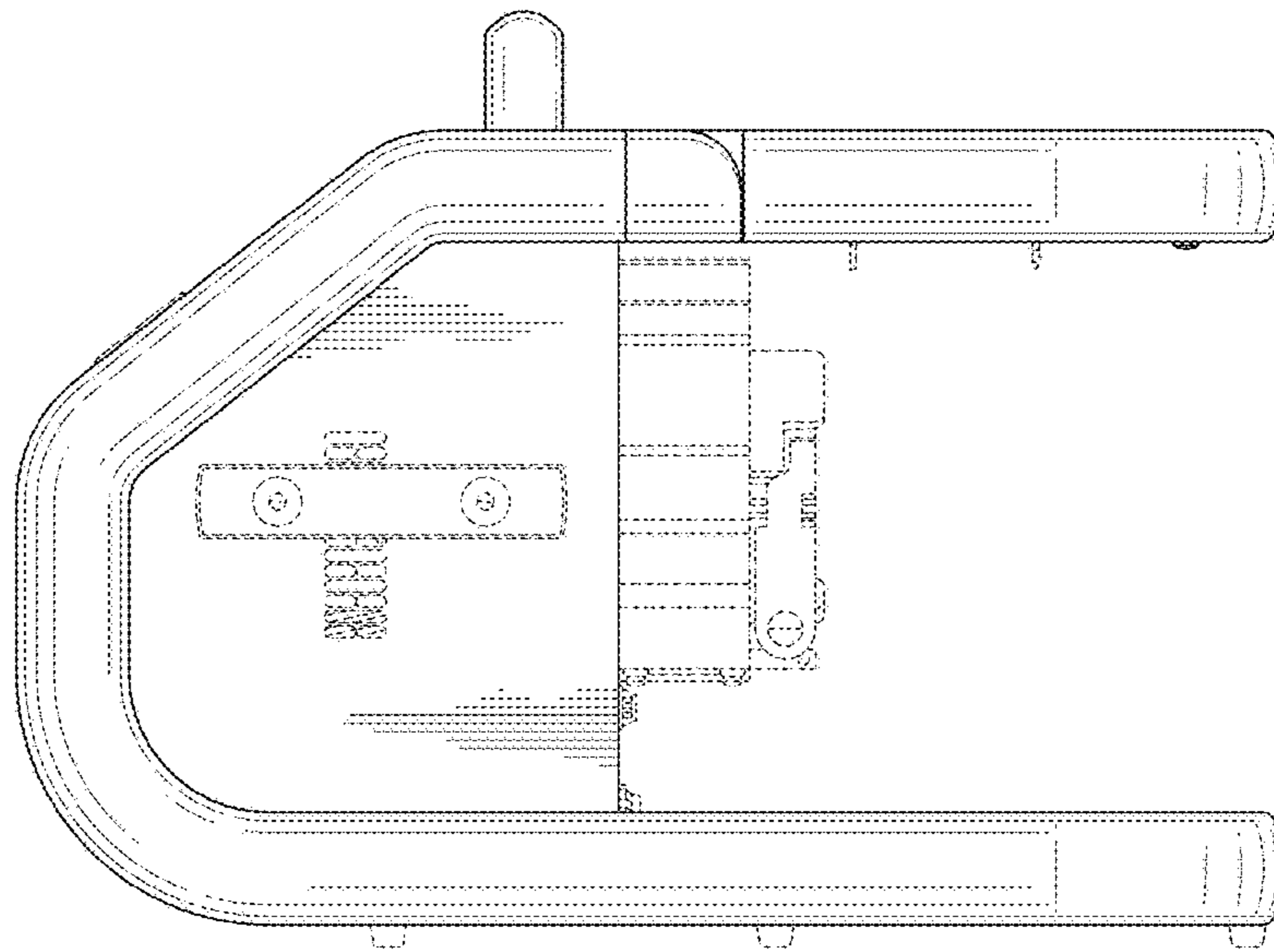


FIG. 4

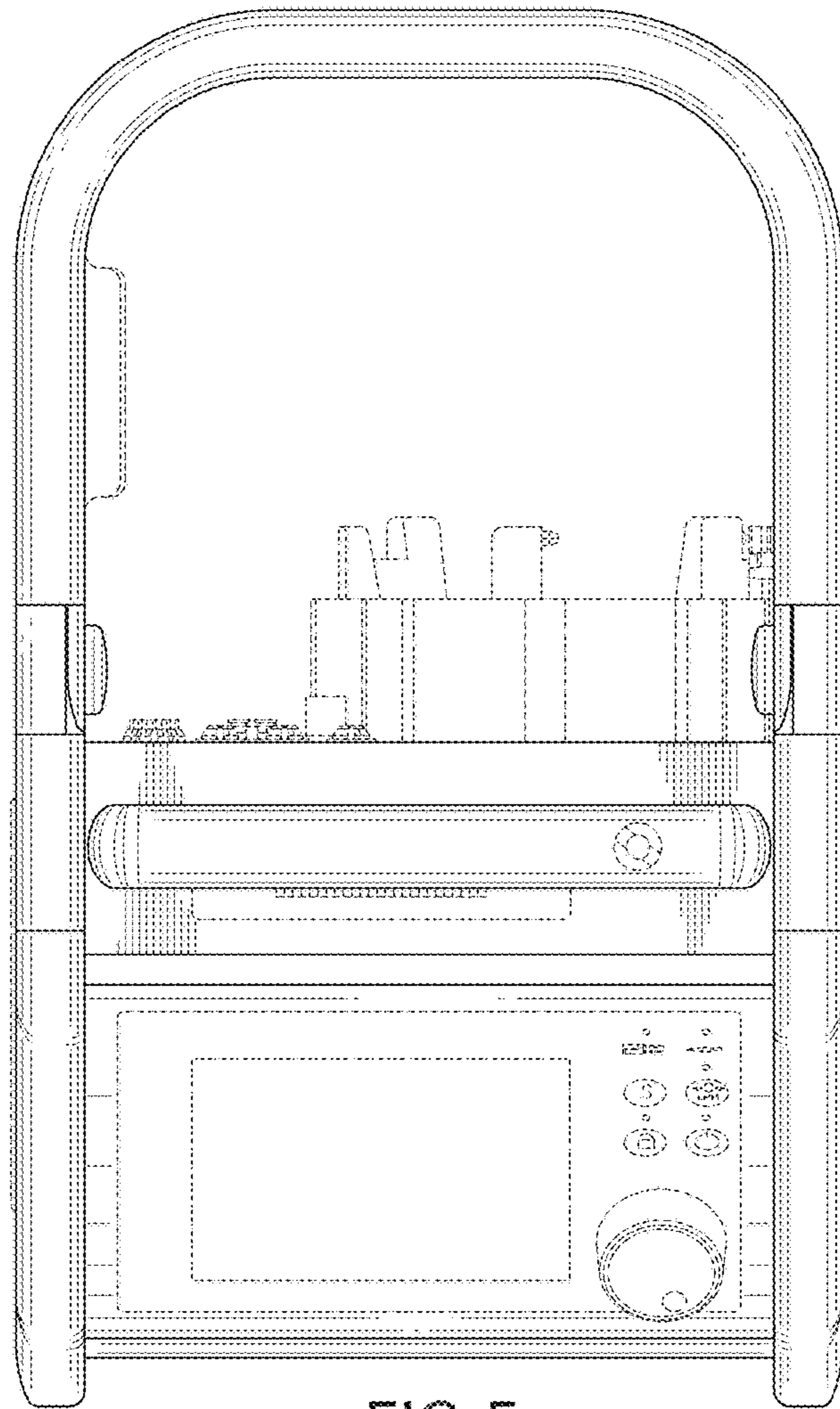


FIG. 5

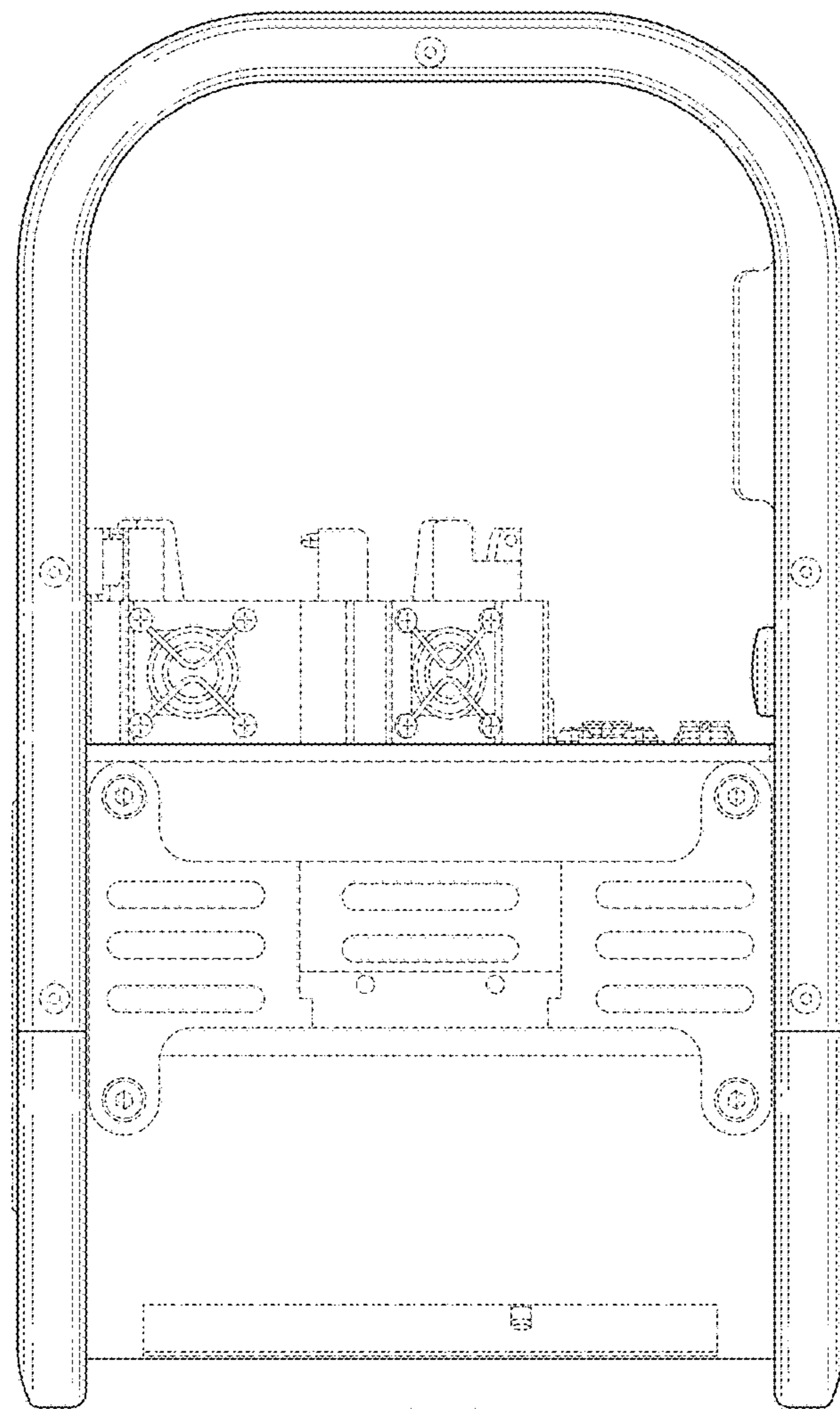


FIG.6

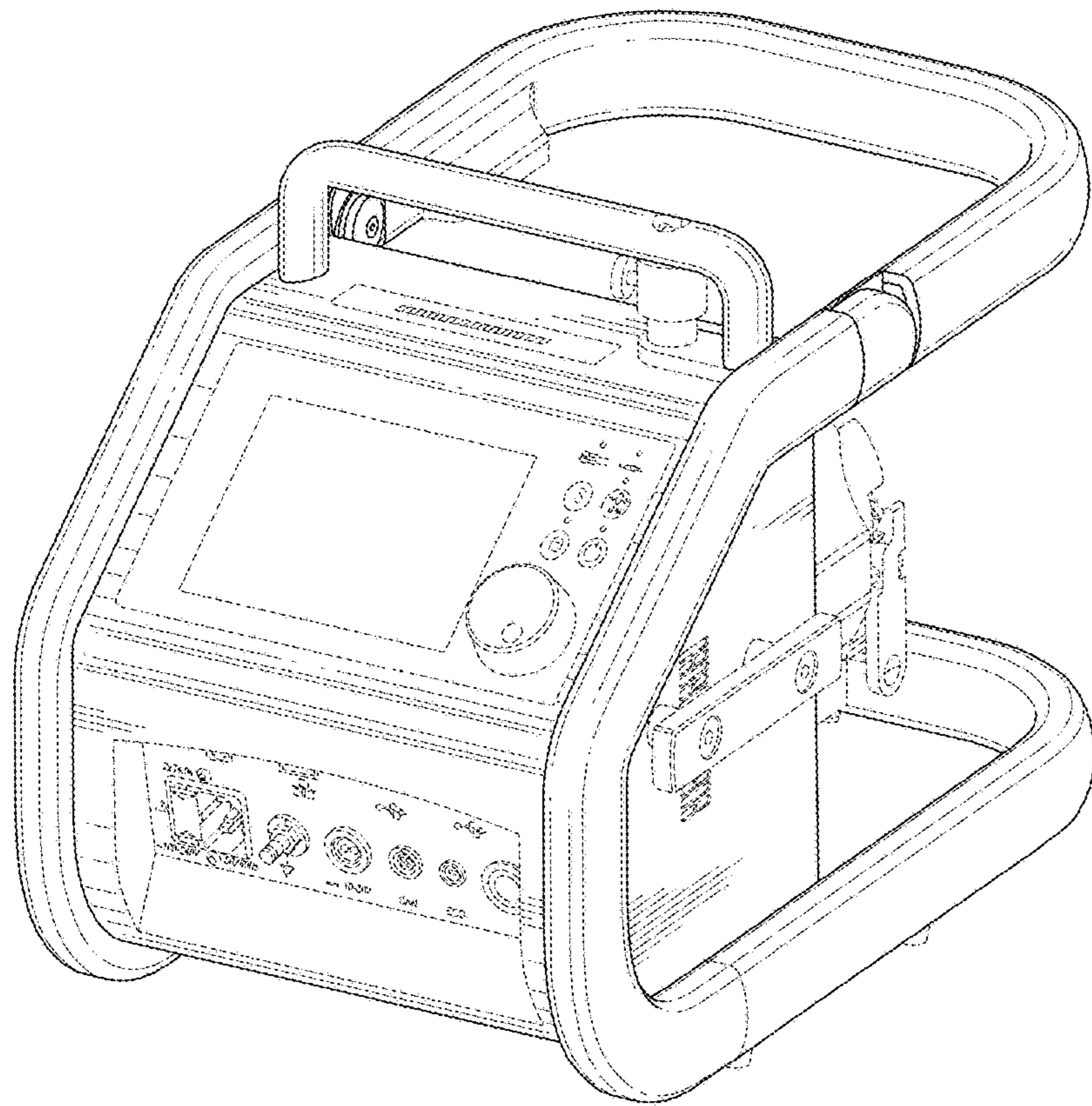


FIG. 7

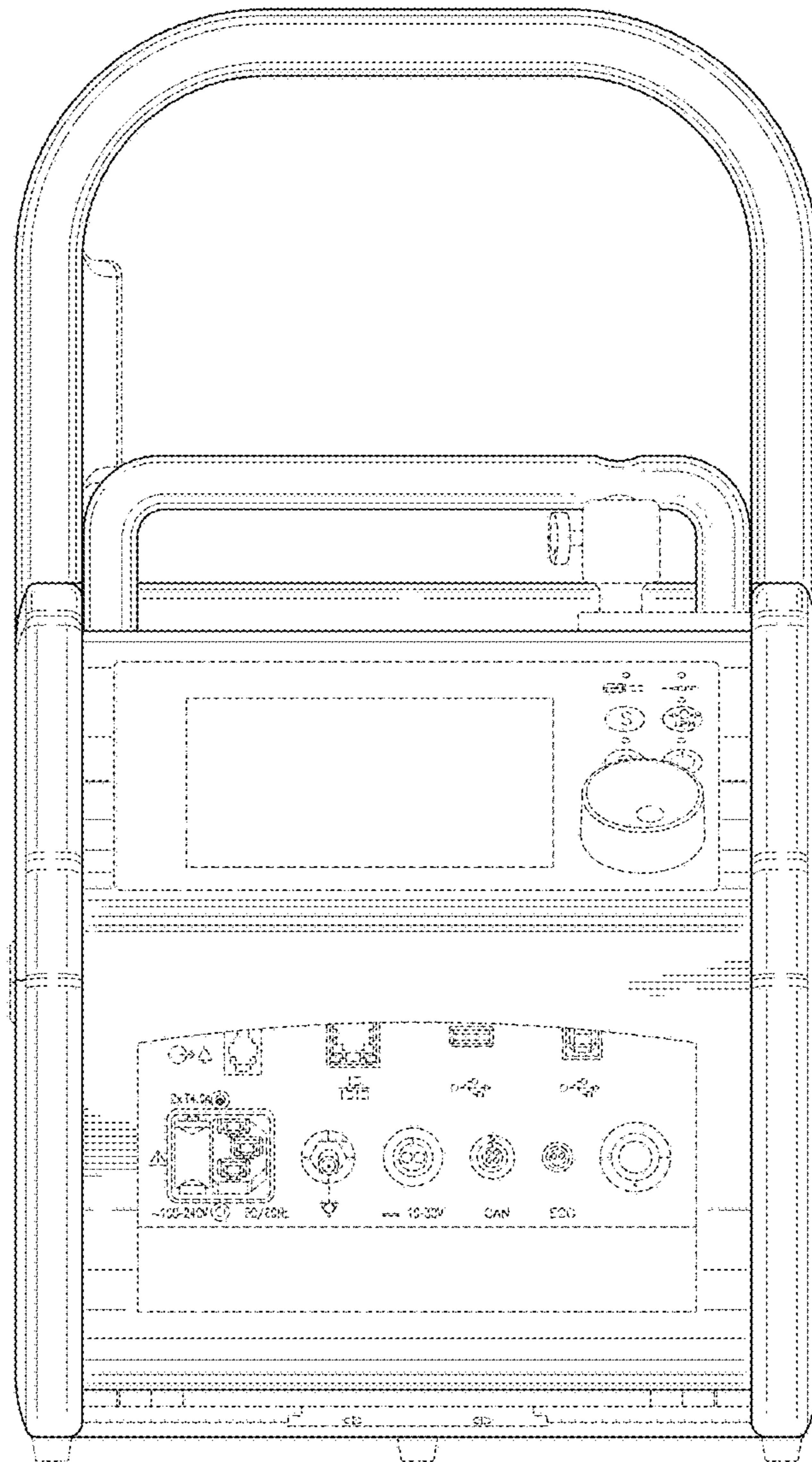


FIG. 8

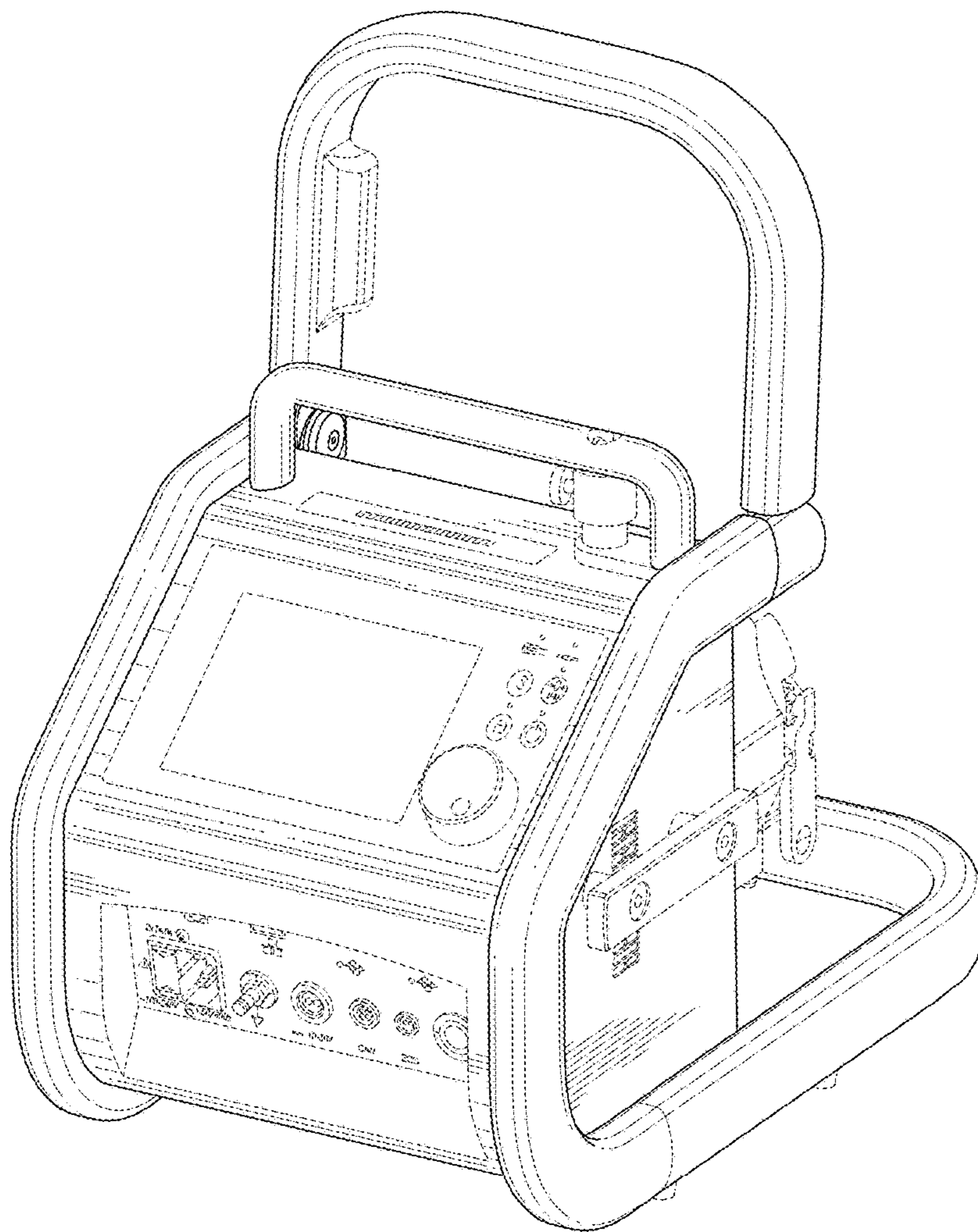


FIG.9

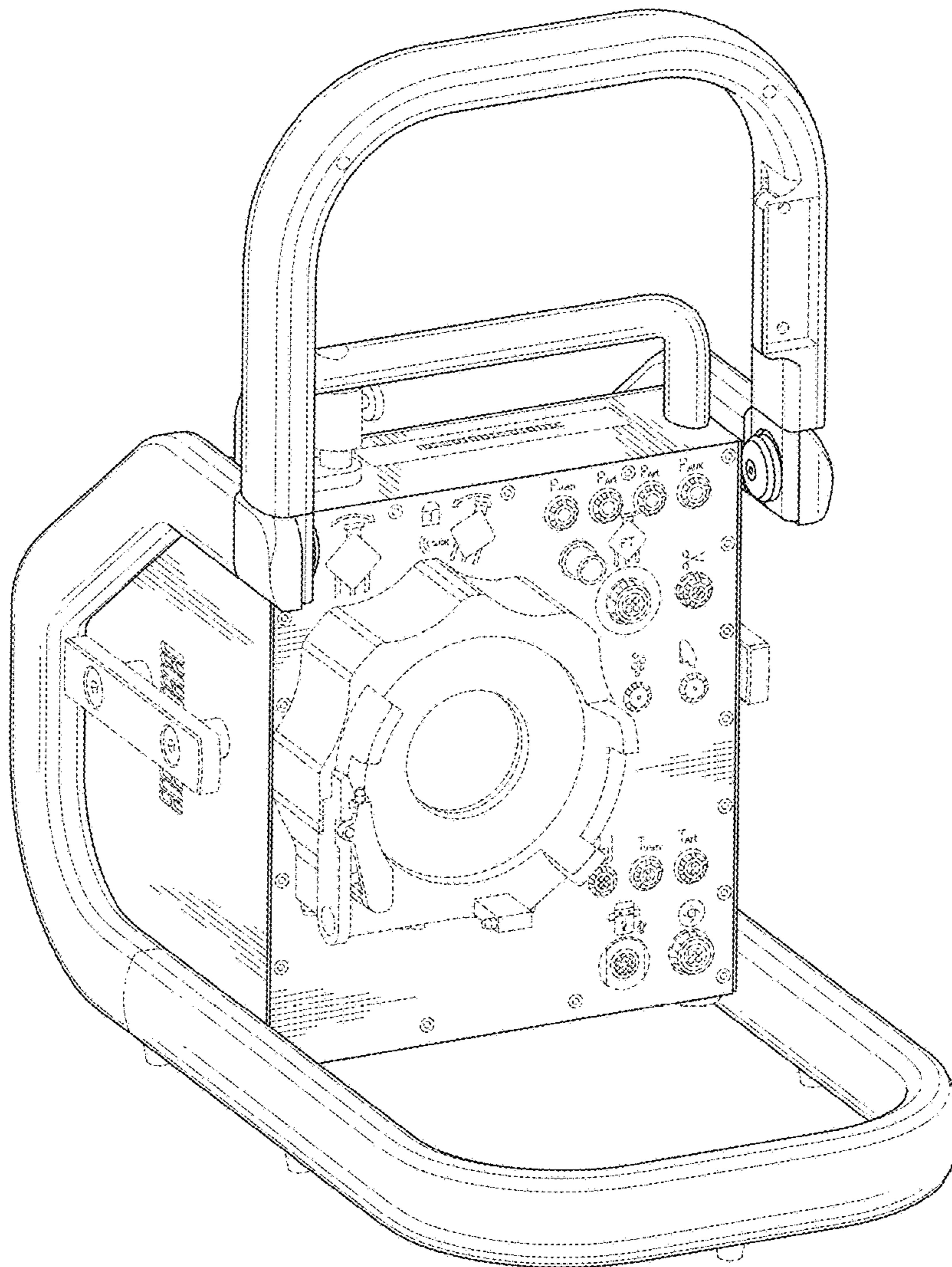


FIG. 10

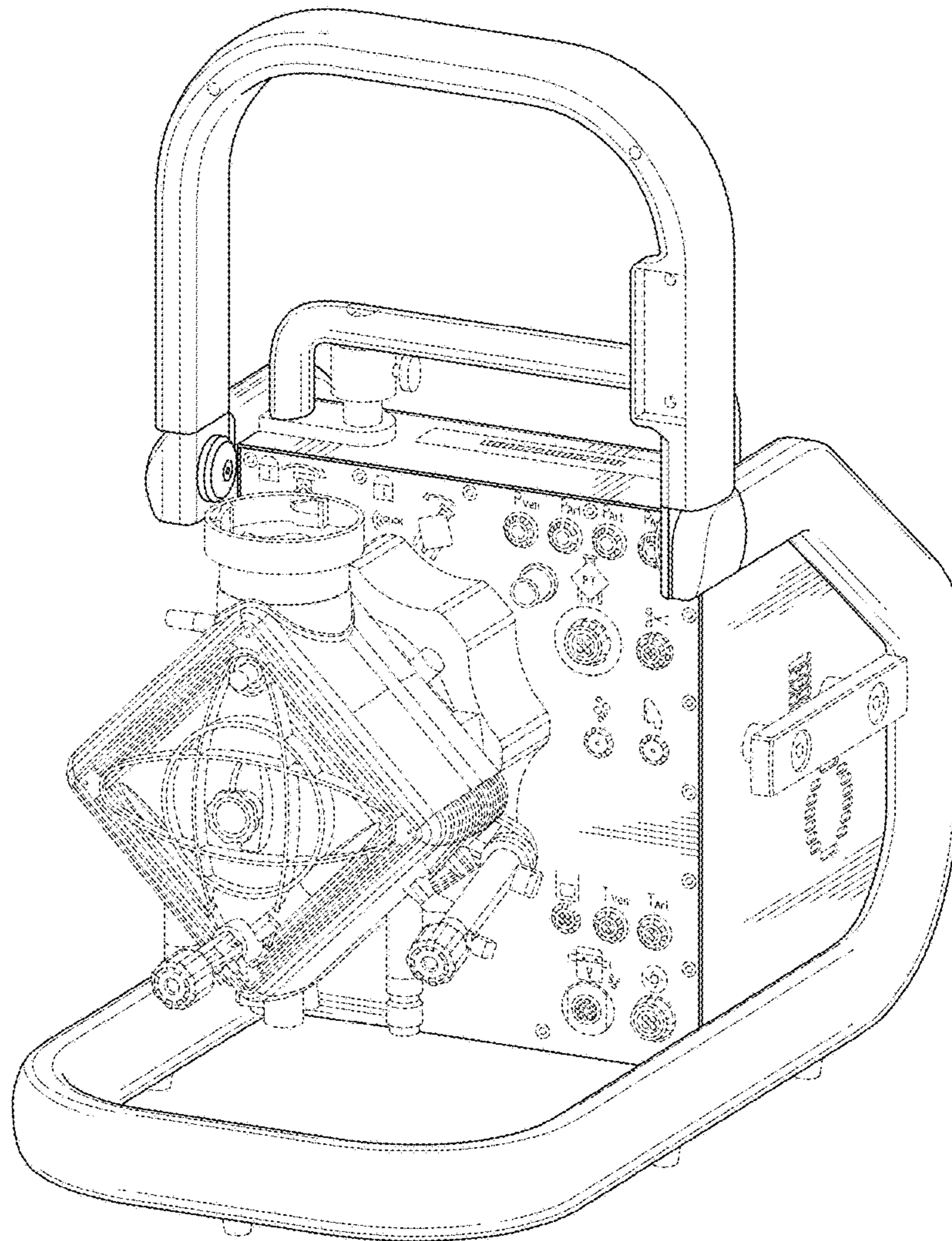


FIG. 11