



US00D850624S

(12) **United States Design Patent**  
**Huwais et al.**

(10) **Patent No.:** **US D850,624 S**  
(45) **Date of Patent:** **\*\* Jun. 4, 2019**

(54) **IMPLANTOLOGY TOOL HOLDER**

(71) Applicant: **Versah, LLC**, Jackson, MI (US)

(72) Inventors: **Salah Huwais**, Jackson, MI (US);  
**Zachary White**, Jackson, MI (US);  
**Todd Marshall**, Jackson, MI (US)

(73) Assignee: **Versah LLC**, Jackson, MI (US)

(\*\*) Term: **15 Years**

(21) Appl. No.: **29/611,878**

(22) Filed: **Jul. 26, 2017**

(51) **LOC (11) Cl.** ..... **24-02**

(52) **U.S. Cl.**  
USPC ..... **D24/176**

(58) **Field of Classification Search**  
USPC ..... D24/176-177, 186, 227, 229, 231, 152,  
D24/155-156, 230; 433/49-51, 53, 77,  
433/79; 206/368, 63.5  
CPC .. A61C 3/04; A61C 1/084; A61C 1/14; A61C  
8/0089; A61C 19/02; A61C 2202/00;  
A61G 15/16  
See application file for complete search history.

(56) **References Cited**

**U.S. PATENT DOCUMENTS**

D242,545 S *	11/1976	Perfect	.....	D24/230
4,397,395 A *	8/1983	McKelvey	.....	A61C 3/04
				206/369
D377,218 S *	1/1997	Cohen	.....	D24/176
5,692,609 A *	12/1997	Lin	.....	A61C 19/02
				206/368
6,328,565 B1 *	12/2001	Rose	.....	A61C 3/04
				206/369
8,342,841 B2 *	1/2013	Vogel	.....	A61C 19/02
				206/362
9,314,315 B2 *	4/2016	Wong	.....	A61C 3/04

(Continued)

Primary Examiner — Wan Laymon

(74) *Attorney, Agent, or Firm* — Endurace Law Group PLC

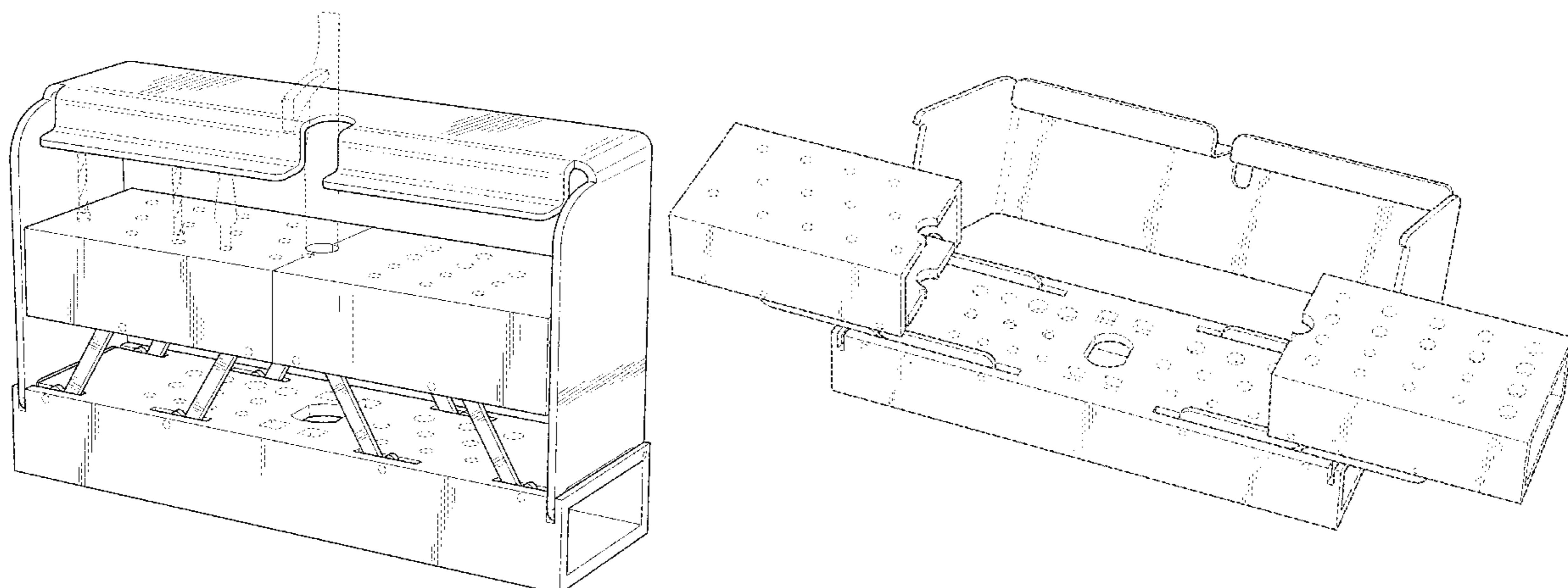
(57) **CLAIM**

We claim the ornamental design for an implantology tool holder, as shown and described.

**DESCRIPTION**

FIG. 1 is a perspective view showing an implantology tool holder in a fully collapsed storage condition;  
 FIG. 2 is a front elevation view of the implantology tool holder in the storage condition;  
 FIG. 3 is a rear elevation view of the implantology tool holder in the storage condition;  
 FIG. 4 is a left end view of the implantology tool holder in the storage condition;  
 FIG. 5 is a right end view of the implantology tool holder in the storage condition;  
 FIG. 6 is a top view of the implantology tool holder in the storage condition;  
 FIG. 7 is a bottom view of the implantology tool holder in the storage condition;  
 FIG. 8 is a perspective view showing the lid rotated backward and the upper-tier decks spread apart to enable access to tools stored in the implantology tool holder;  
 FIG. 9 is a front elevation view of the implantology tool holder of FIG. 8;  
 FIG. 10 is a rear elevation view of the implantology tool holder of FIG. 8;  
 FIG. 11 is a right end view of the implantology tool holder of FIG. 8;  
 FIG. 12 is a left end view of the implantology tool holder of FIG. 8;  
 FIG. 13 is a top view of the implantology tool holder of FIG. 8; and,  
 FIG. 14 is a bottom view of the implantology tool holder of FIG. 8.  
 Tools, tool receiving holes and hinge pins are shown in broken lines throughout the figures, and form no part of the patented design.

**1 Claim, 10 Drawing Sheets**



(56)

**References Cited**

U.S. PATENT DOCUMENTS

9,545,297	B1 *	1/2017	Krastev .....	A61C 19/02
D783,833	S *	4/2017	Wong .....	A61C 3/04
				D24/176
2014/0242542	A1 *	8/2014	Jubenville .....	A61C 19/02
				433/79

\* cited by examiner

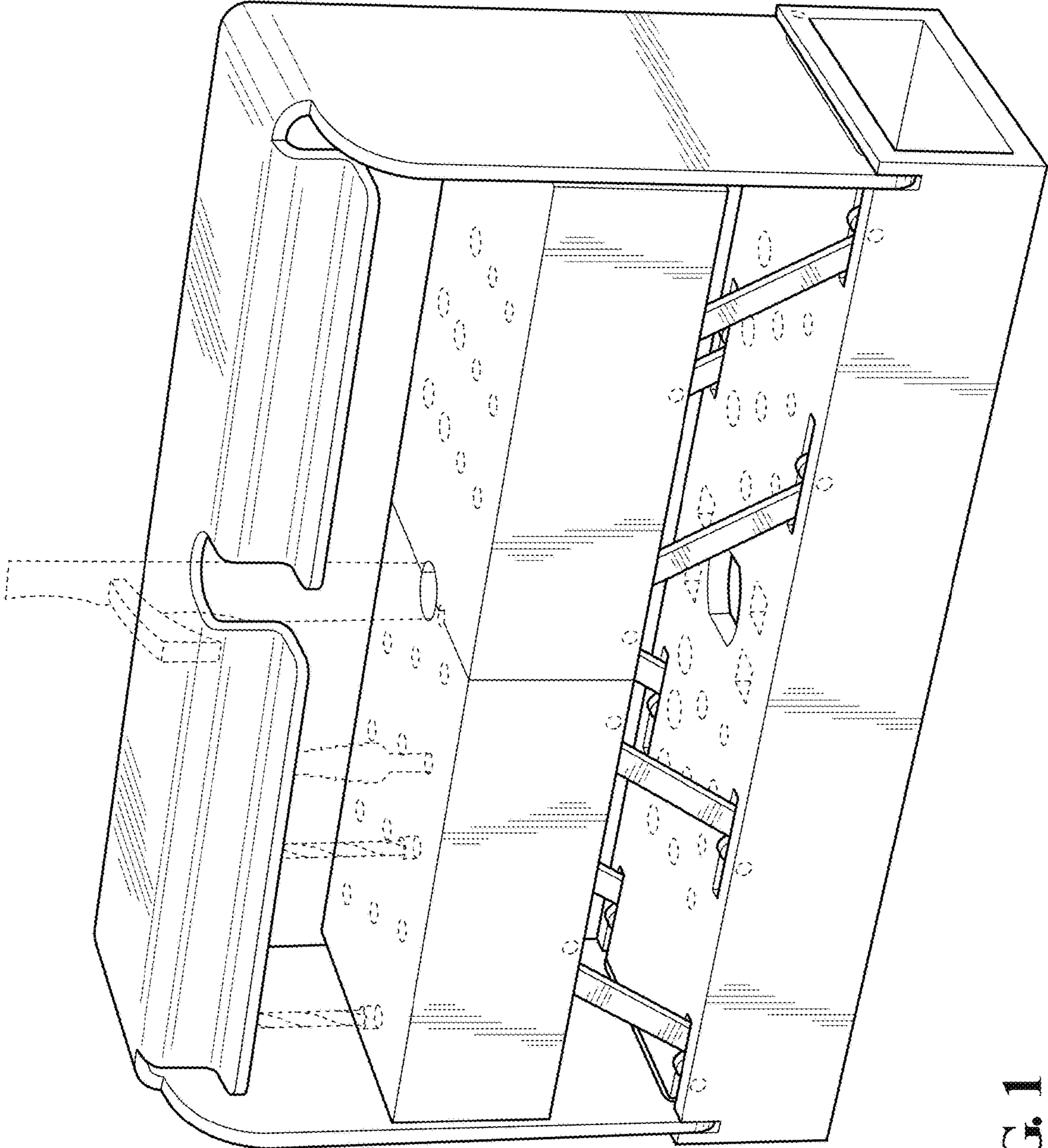


FIG. 1

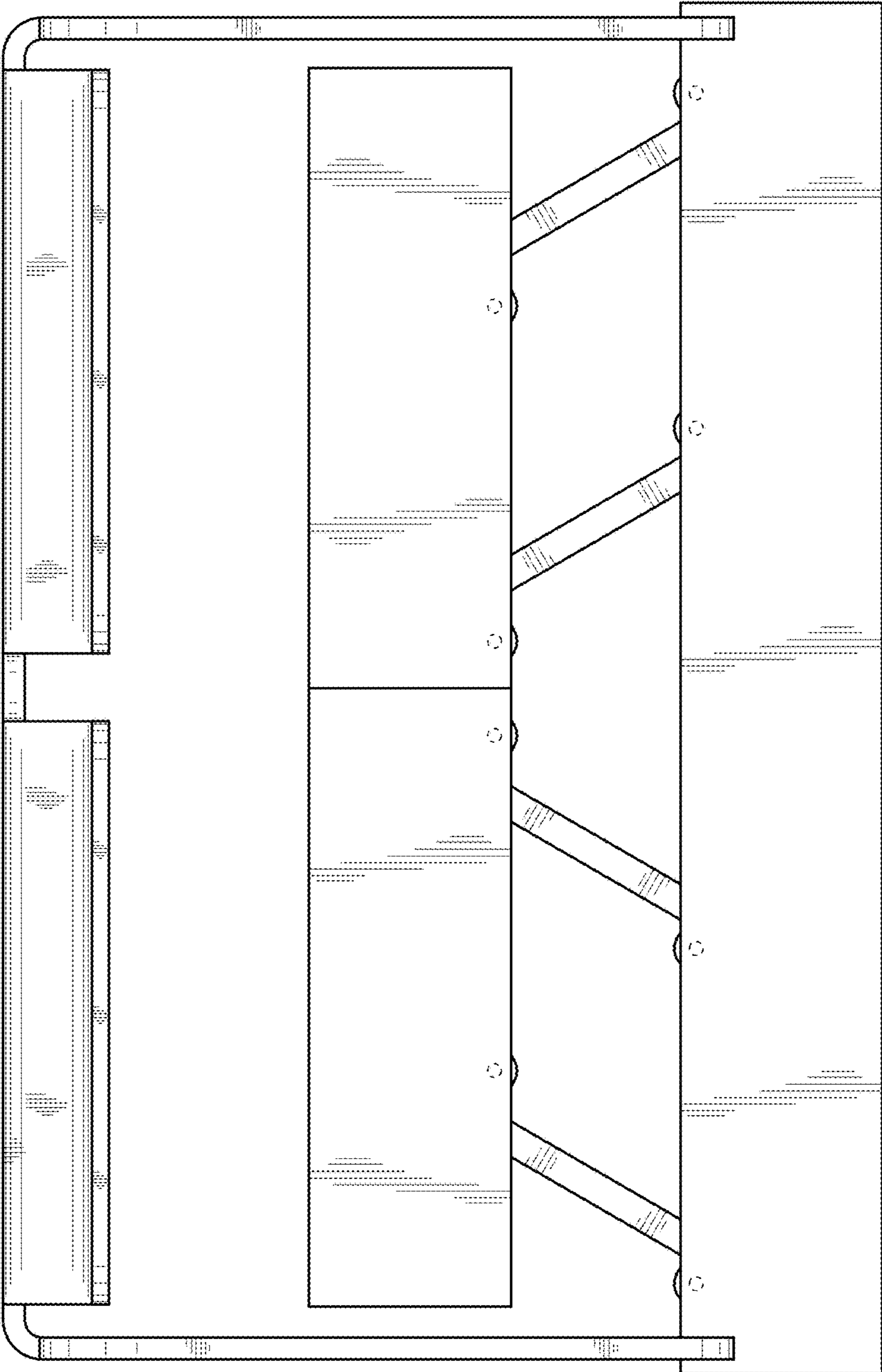


FIG. 2

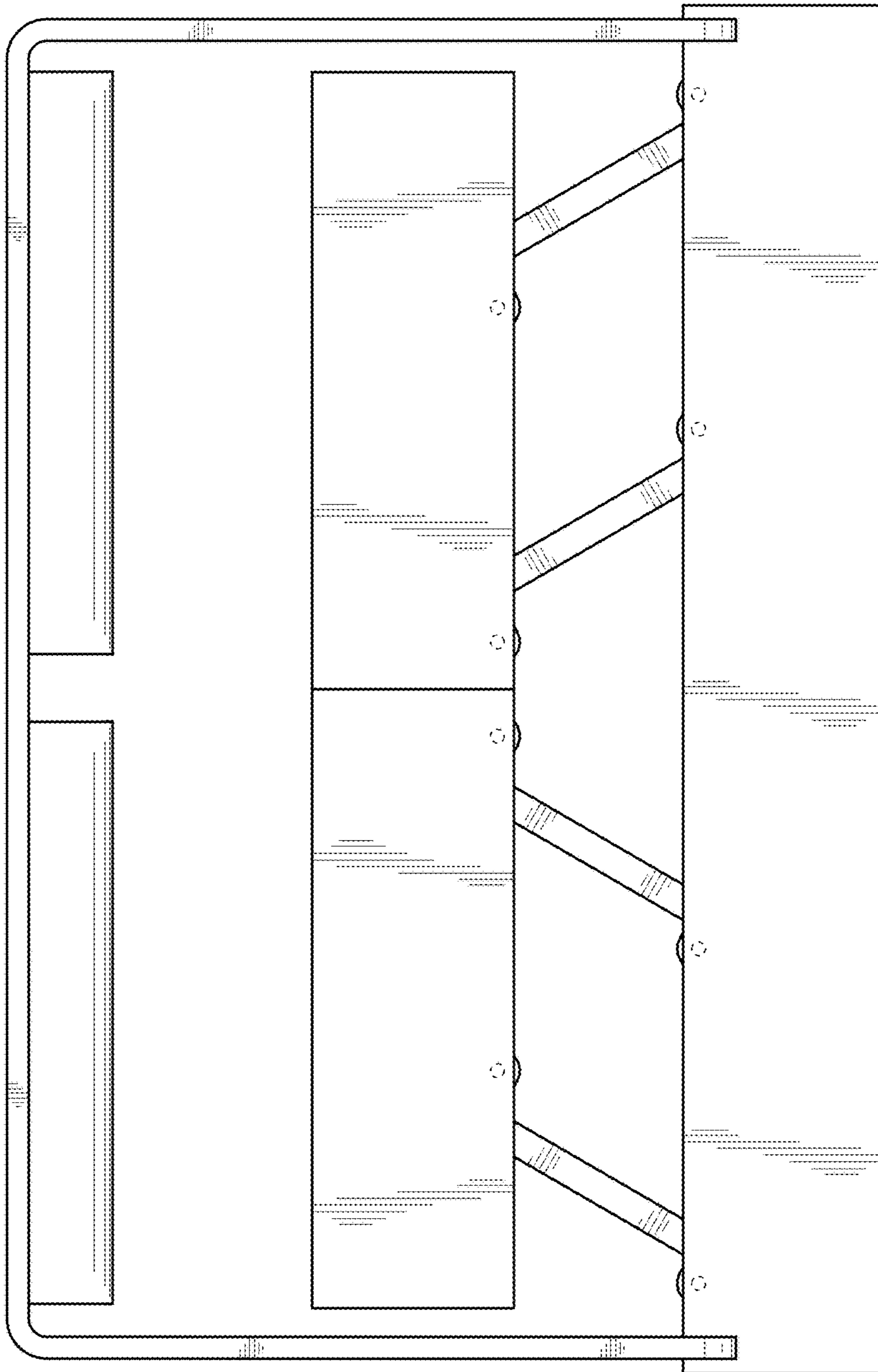


FIG. 3

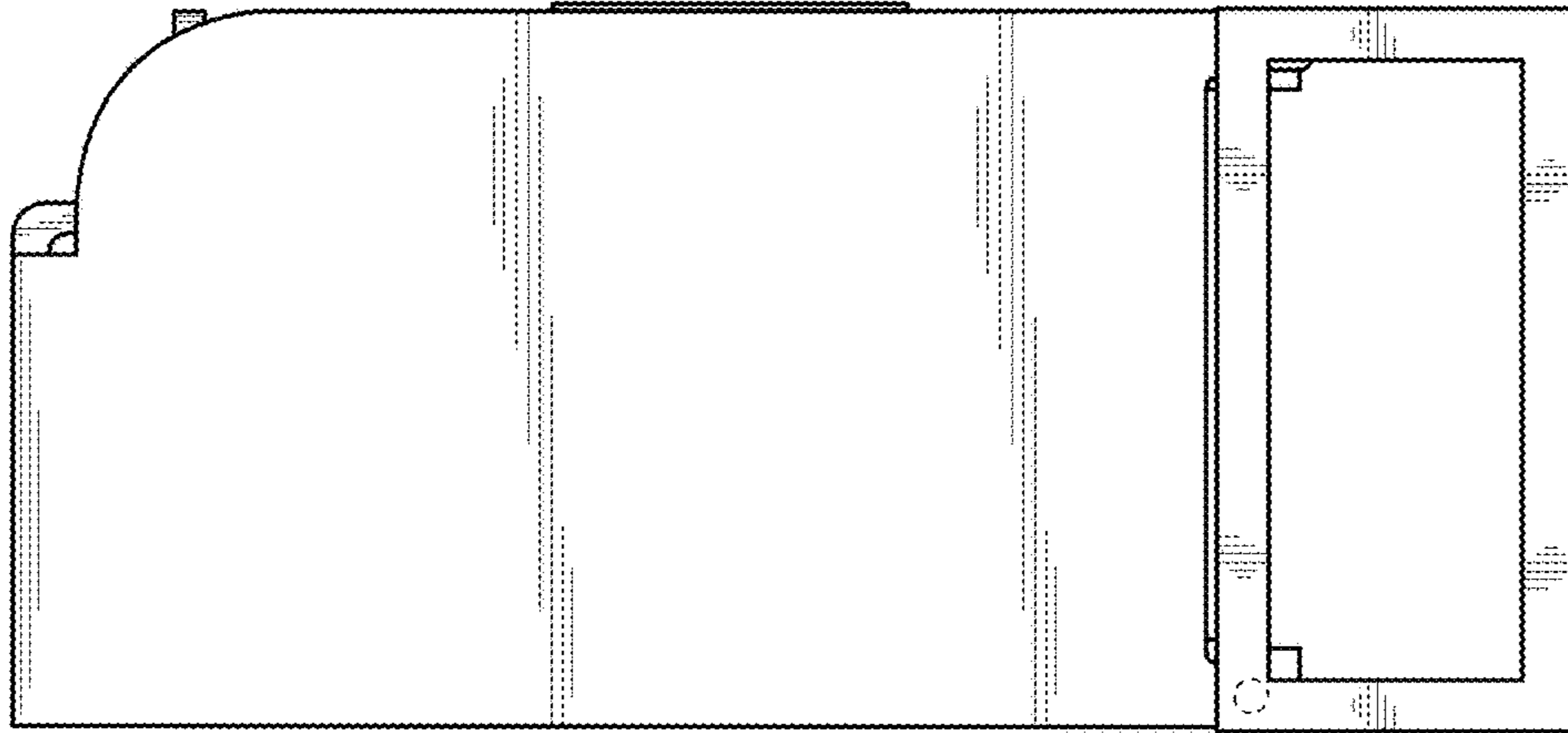


FIG. 5

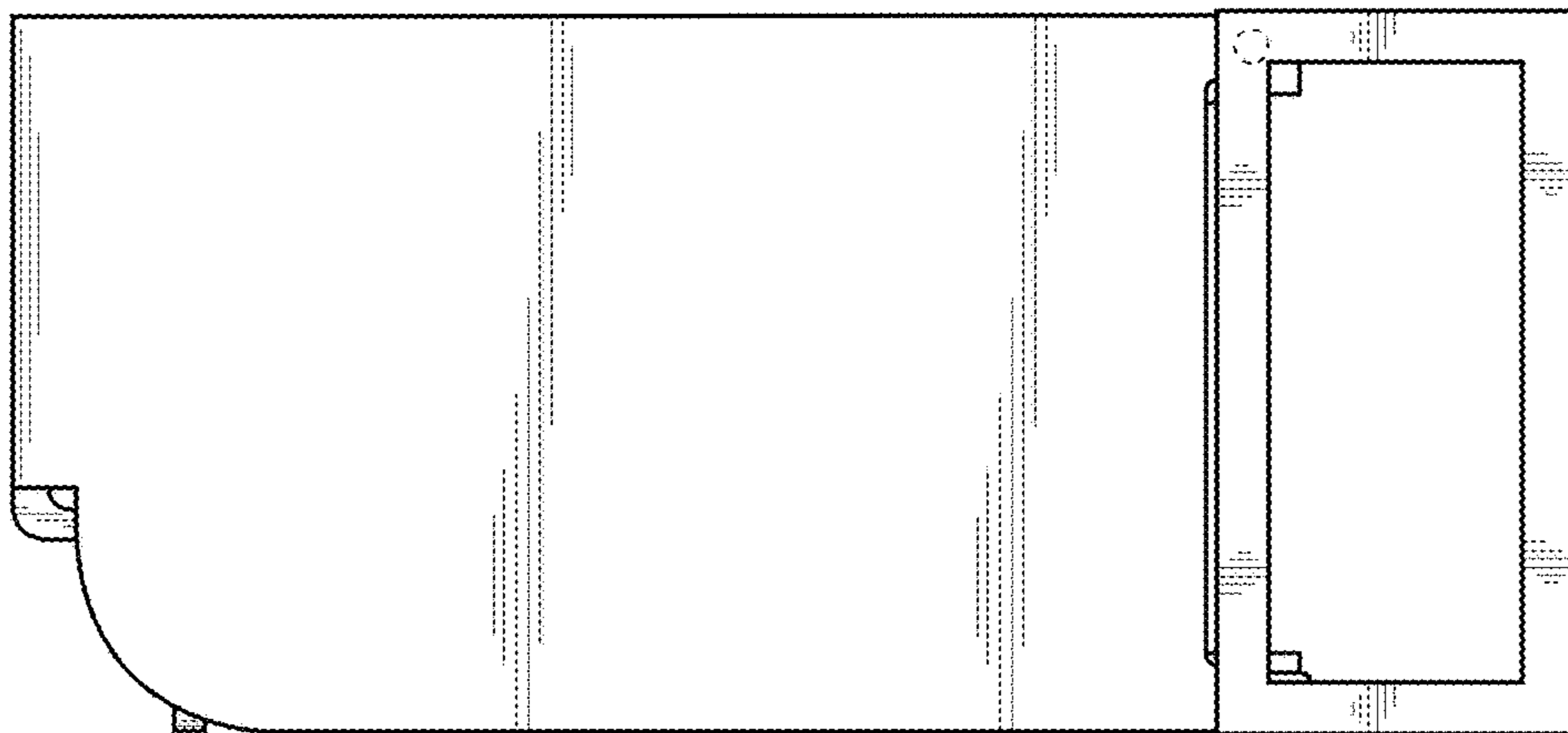


FIG. 4

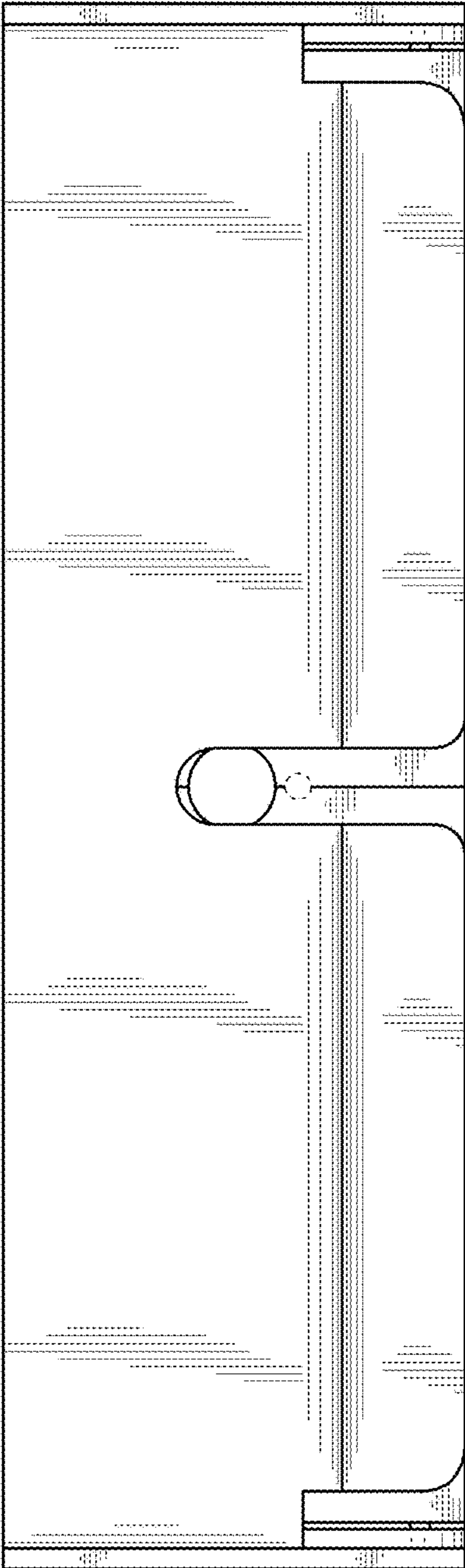


FIG. 6

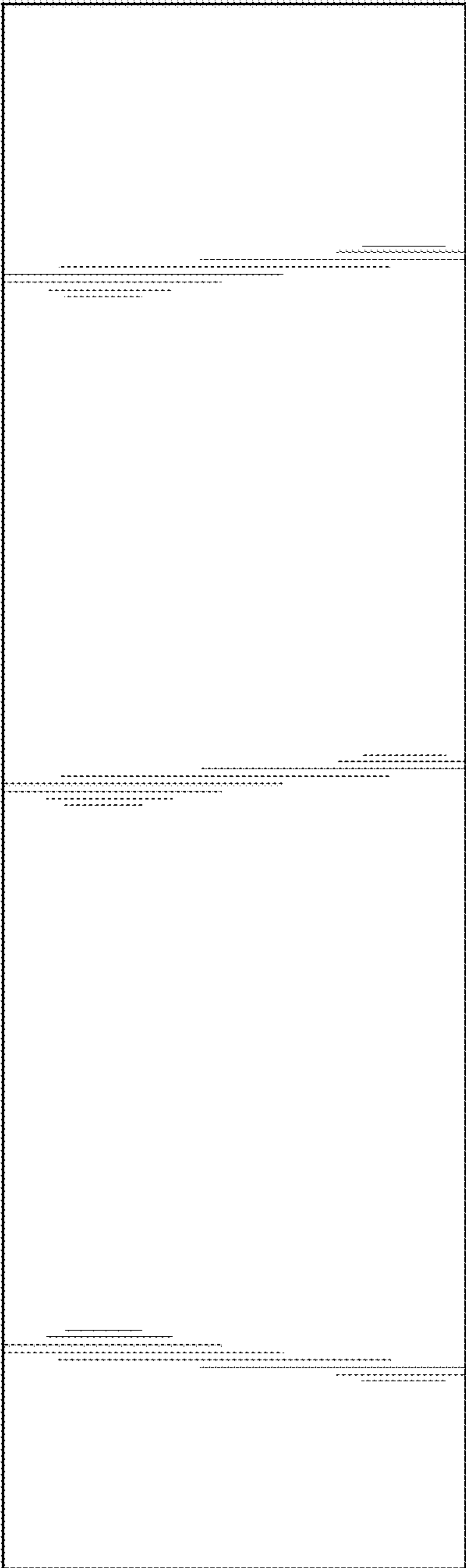


FIG. 7

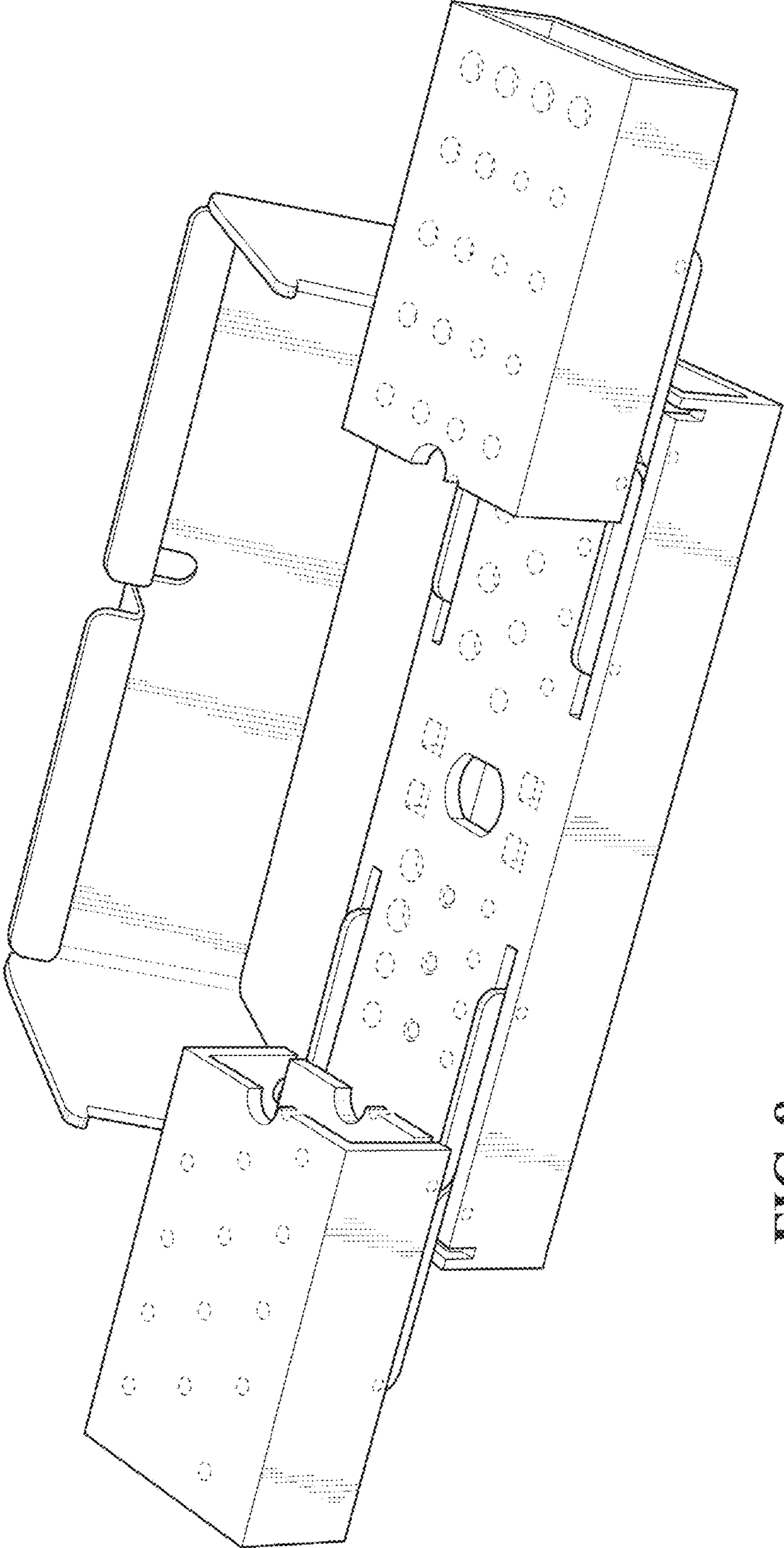


FIG. 8



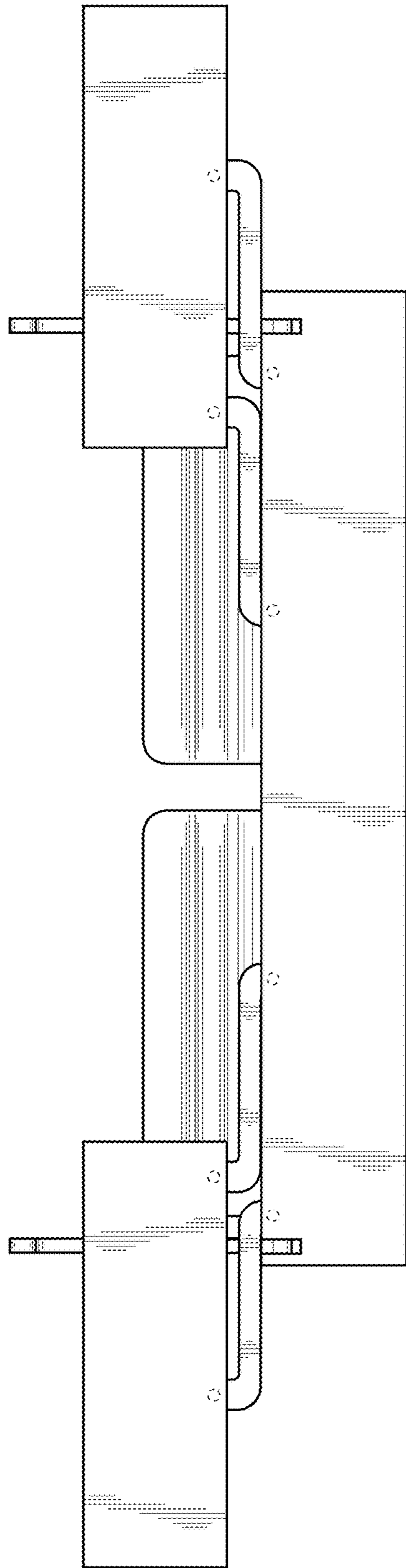


FIG. 9

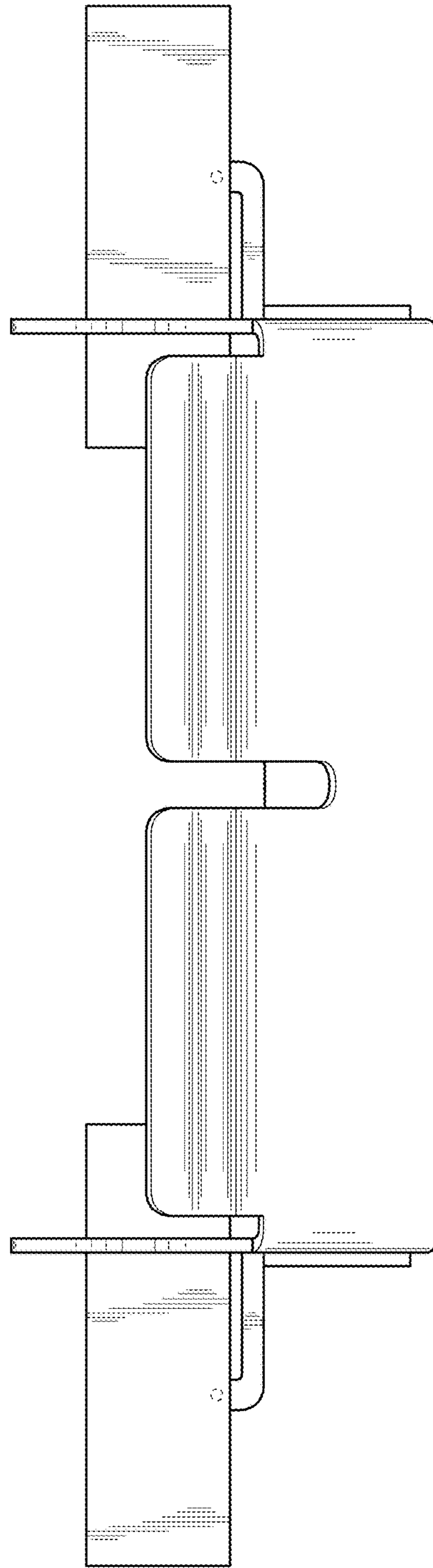
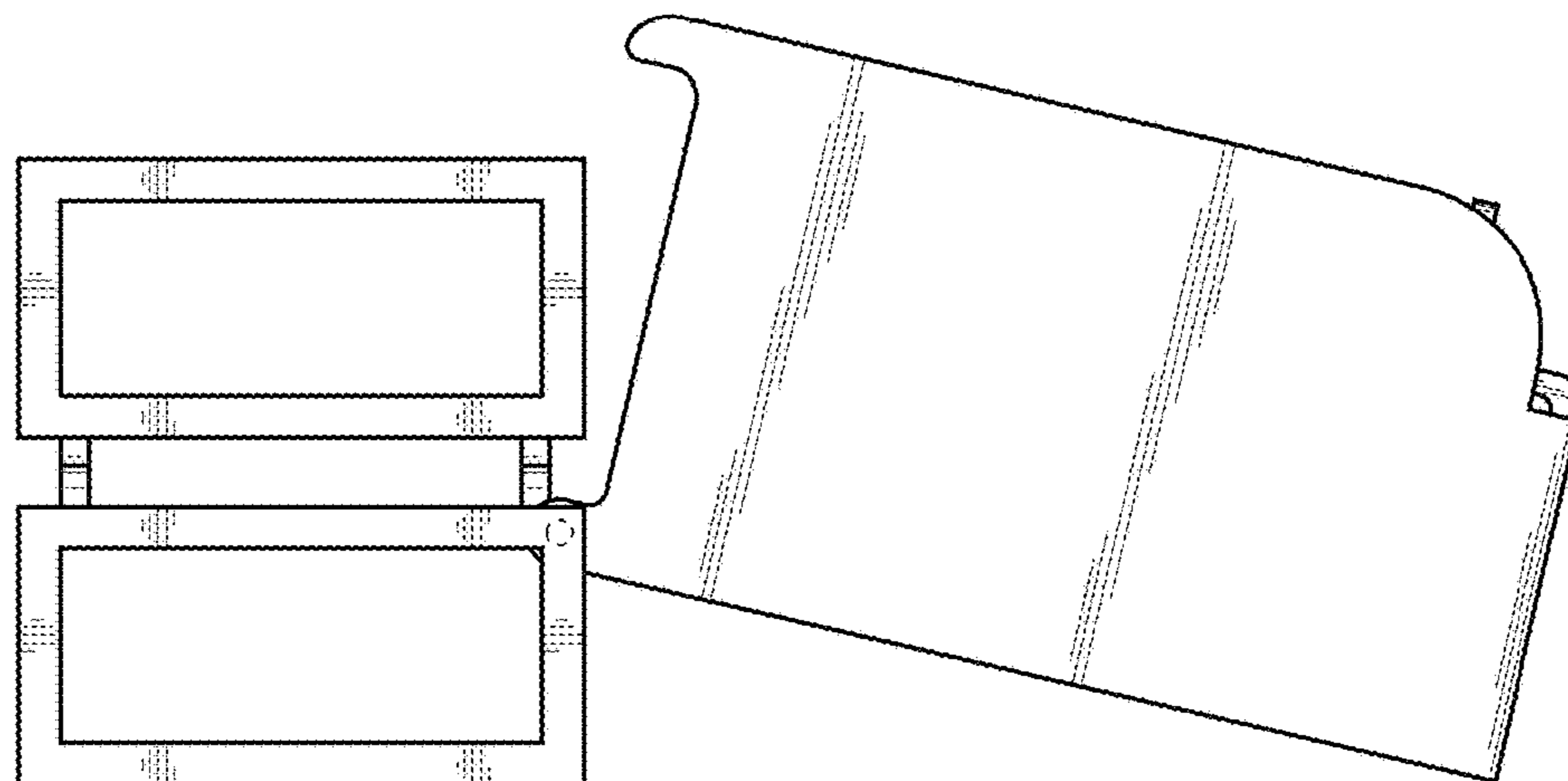
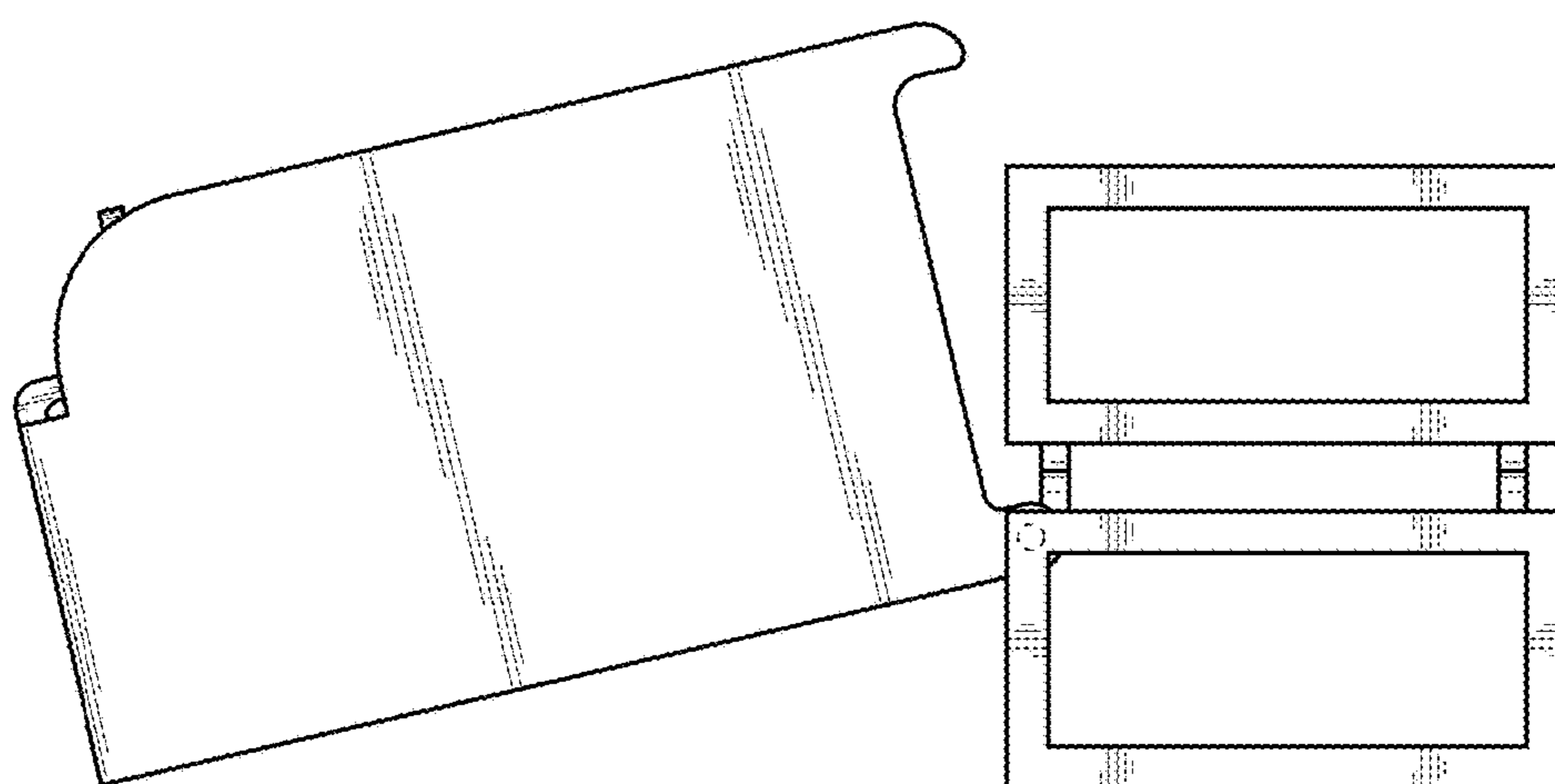


FIG. 10



**FIG. 11**



**FIG. 12**

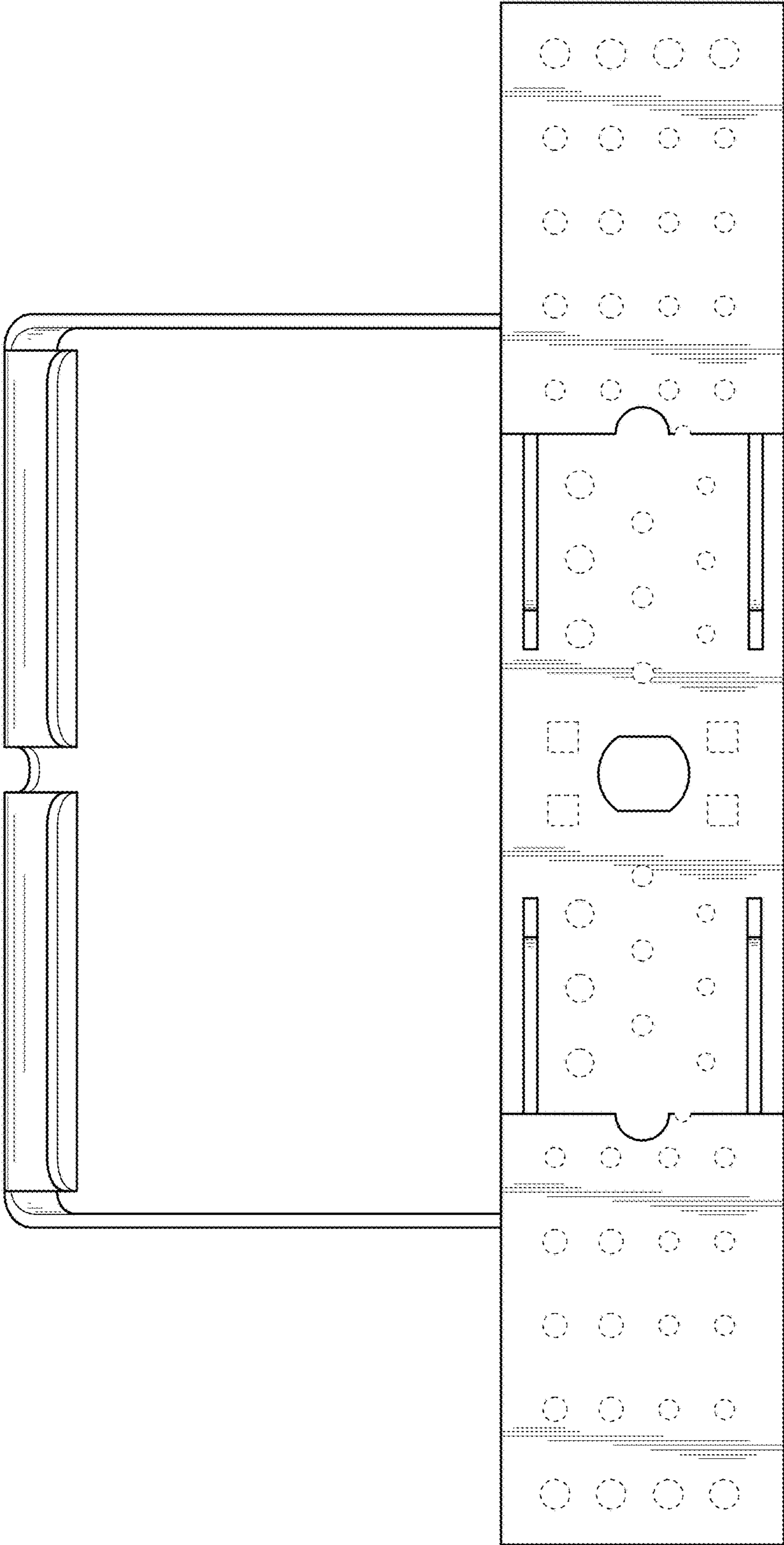


FIG. 13

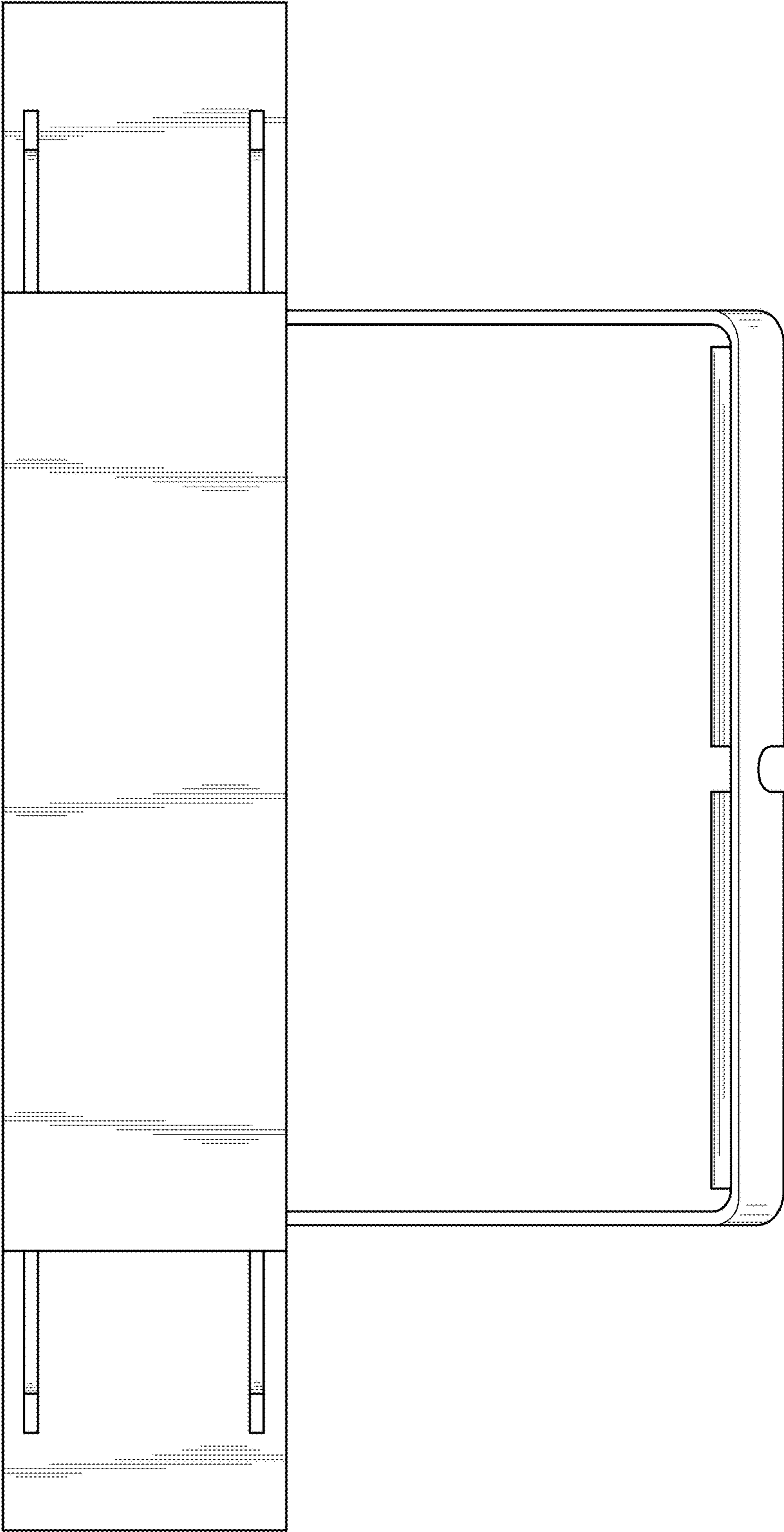


FIG. 14